



US00D737078S

(12) **United States Design Patent**
McKinney

(10) **Patent No.:** **US D737,078 S**

(45) **Date of Patent:** **** Aug. 25, 2015**

(54) **MERCHANDISER APPARATUS FOR
PREPACKAGED FOOD**

(71) Applicant: **James Michael McKinney**,
Montgomery, TX (US)

(72) Inventor: **James Michael McKinney**,
Montgomery, TX (US)

(73) Assignee: **COMMERCIAL KITCHENS, INC.**,
Houston, TX (US)

(**) Term: **14 Years**

(21) Appl. No.: **29/493,352**

(22) Filed: **Jun. 9, 2014**

(51) **LOC (10) Cl.** **06-06**

(52) **U.S. Cl.**
USPC **D6/675.1**

(58) **Field of Classification Search**
USPC D6/641, 642, 654, 654.1, 672, 673, 675,
D6/675.1; D9/730, 756, 761, 432
CPC A47F 1/00; A47F 5/0018; A47B 55/00
See application file for complete search history.

(56) **References Cited**

U.S. PATENT DOCUMENTS

D238,535 S * 1/1976 Daniels D6/675.1
D277,817 S * 3/1985 Weshler D6/661.2

D300,288 S * 3/1989 Price et al. D6/407
D333,931 S * 3/1993 Wein D6/675.1
D396,581 S * 8/1998 Schubert D6/675.1
D421,687 S * 3/2000 Curci D6/683.1
D477,158 S * 7/2003 Calcerano et al. D6/683.1
D530,940 S * 10/2006 Raile D6/675.1
D696,536 S * 12/2013 Fiori D6/661

* cited by examiner

Primary Examiner — Kelley Donnelly

(74) *Attorney, Agent, or Firm* — Egbert Law Offices, PLLC

(57) **CLAIM**

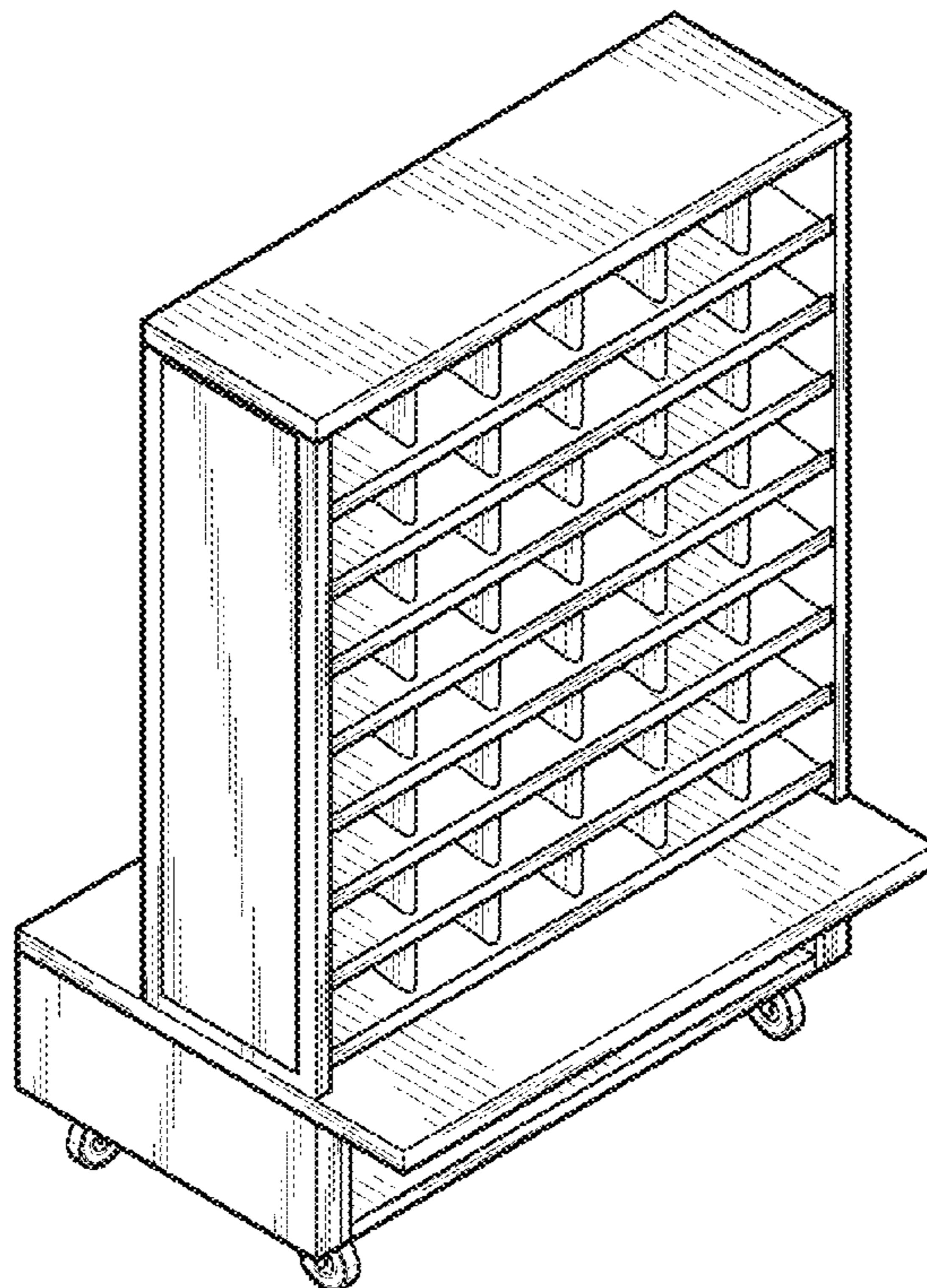
The ornamental design for a merchandiser apparatus for pre-packaged food, as shown and described.

DESCRIPTION

FIG. 1 is a front, top perspective view of the merchandiser apparatus for prepackaged food showing my new design. FIG. 2 is a rear, top perspective view thereof. FIG. 3 is a front elevation view thereof; FIG. 4 is a rear elevation view thereof; FIG. 5 is a side elevation view thereof; FIG. 6 is an opposite side elevation view thereof; FIG. 7 is a top plan view thereof; and, FIG. 8 is a bottom plan view thereof.

The broken lines in the drawings represent unclaimed portions of the apparatus and form no part of the claimed design.

1 Claim, 3 Drawing Sheets



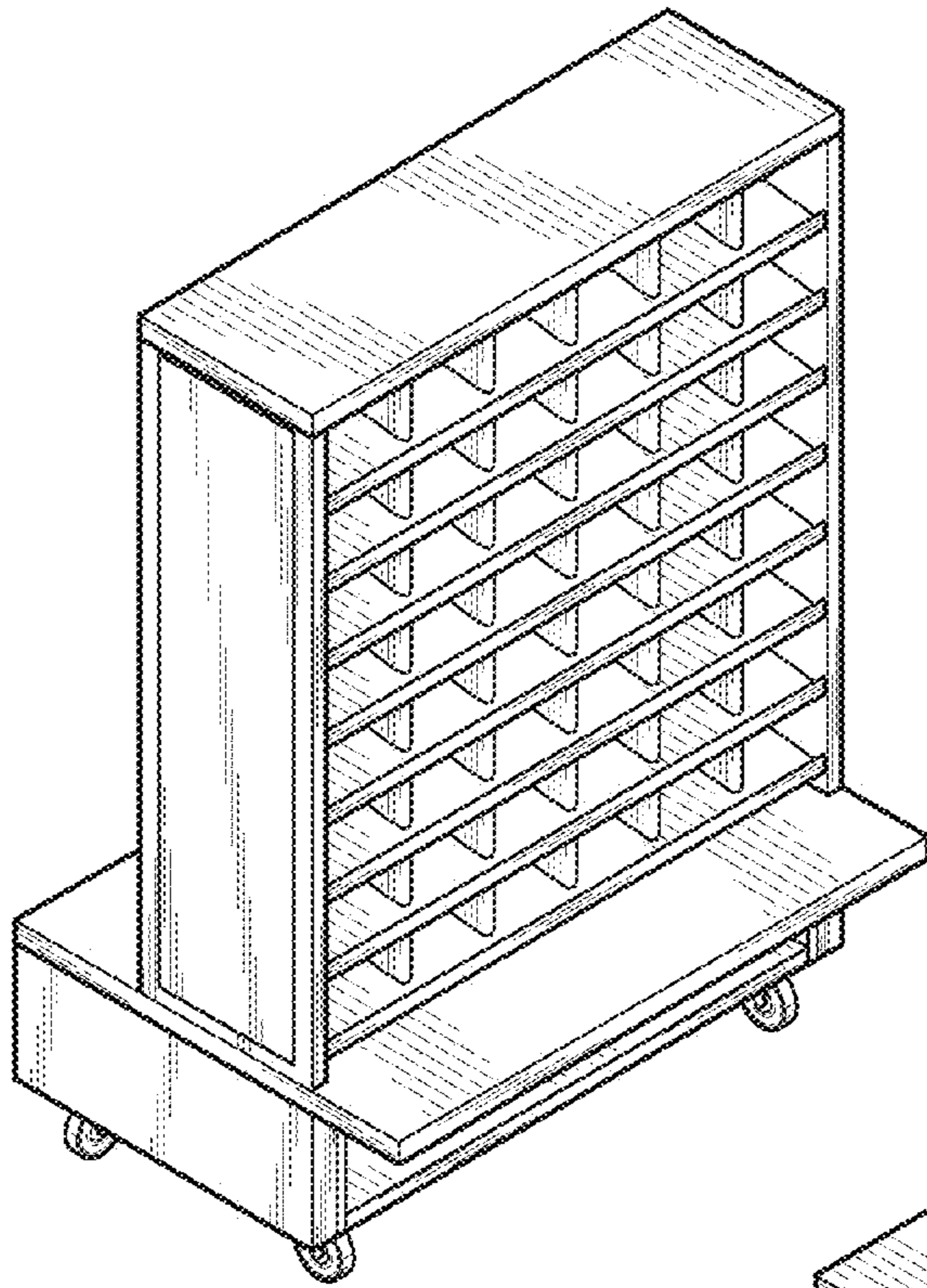


FIG. 1

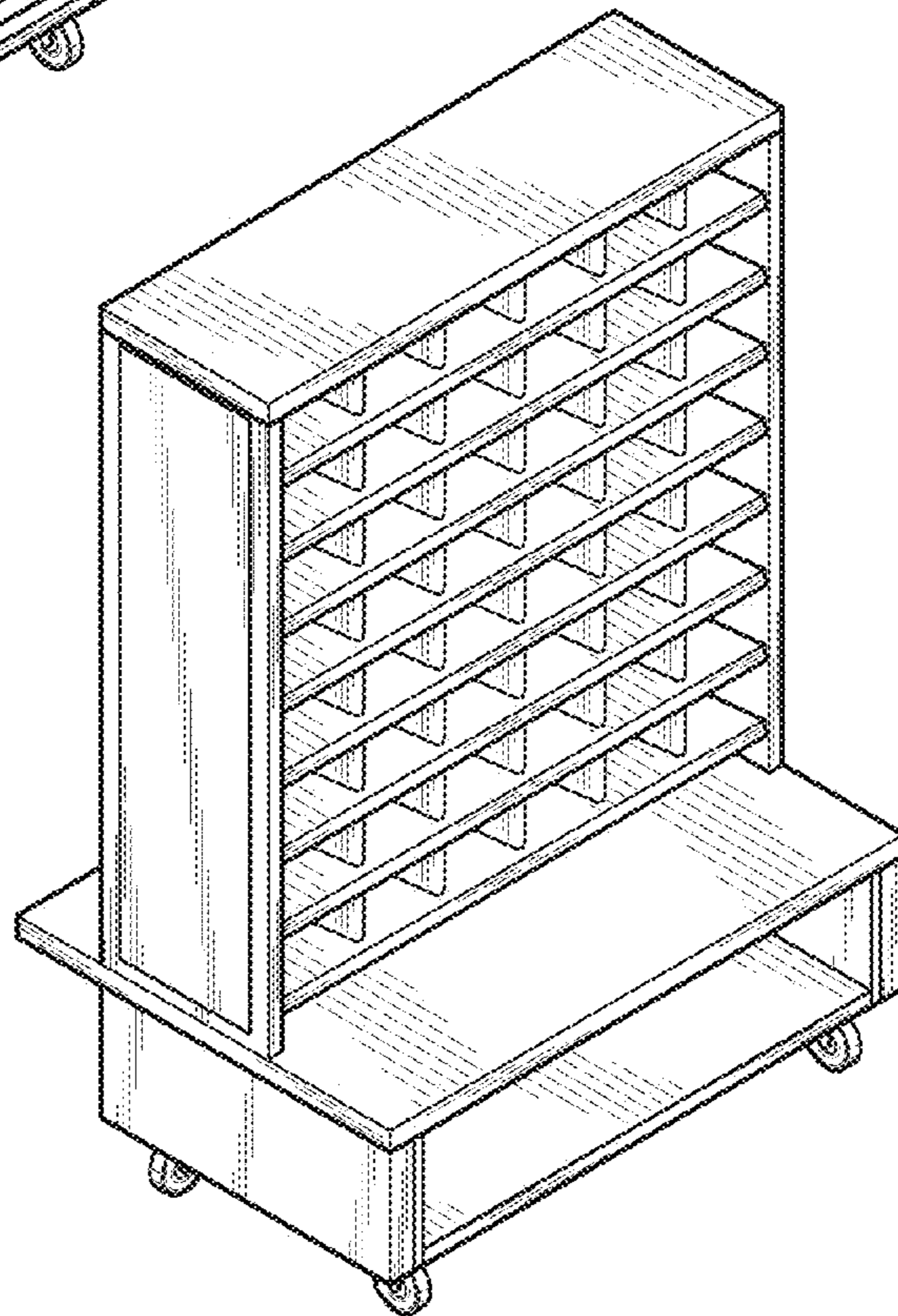


FIG. 2

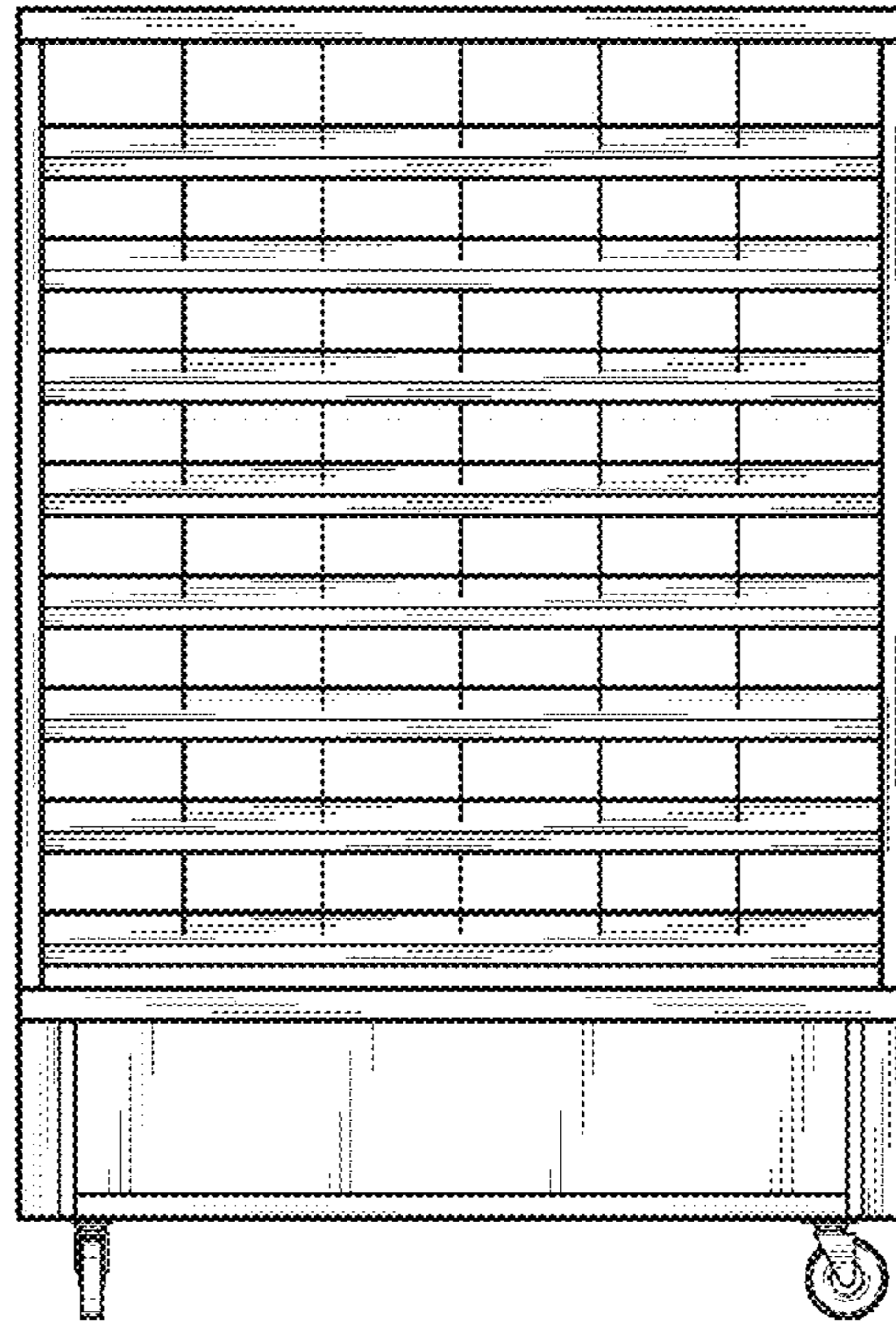


FIG. 3

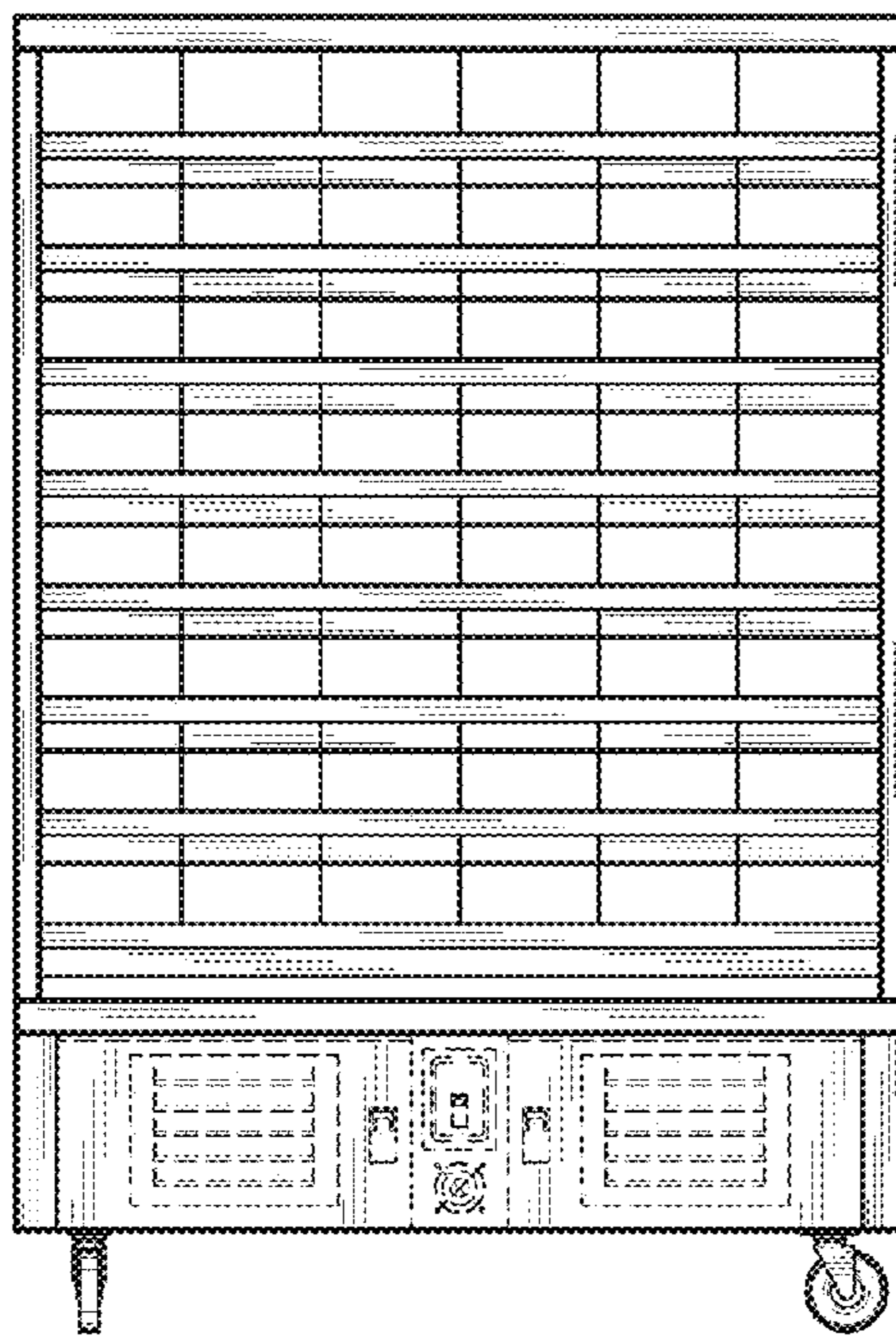


FIG. 4

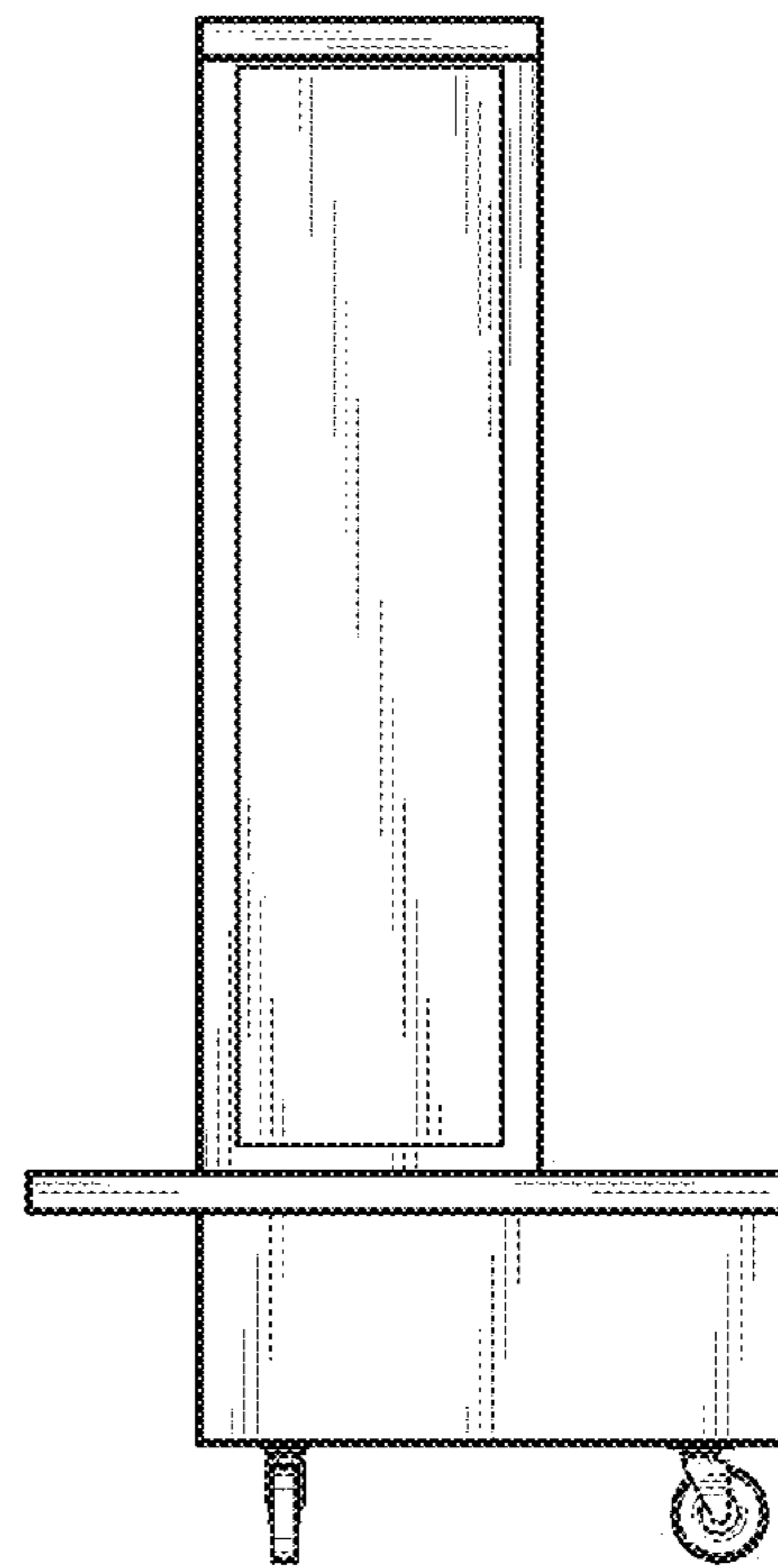


FIG. 5

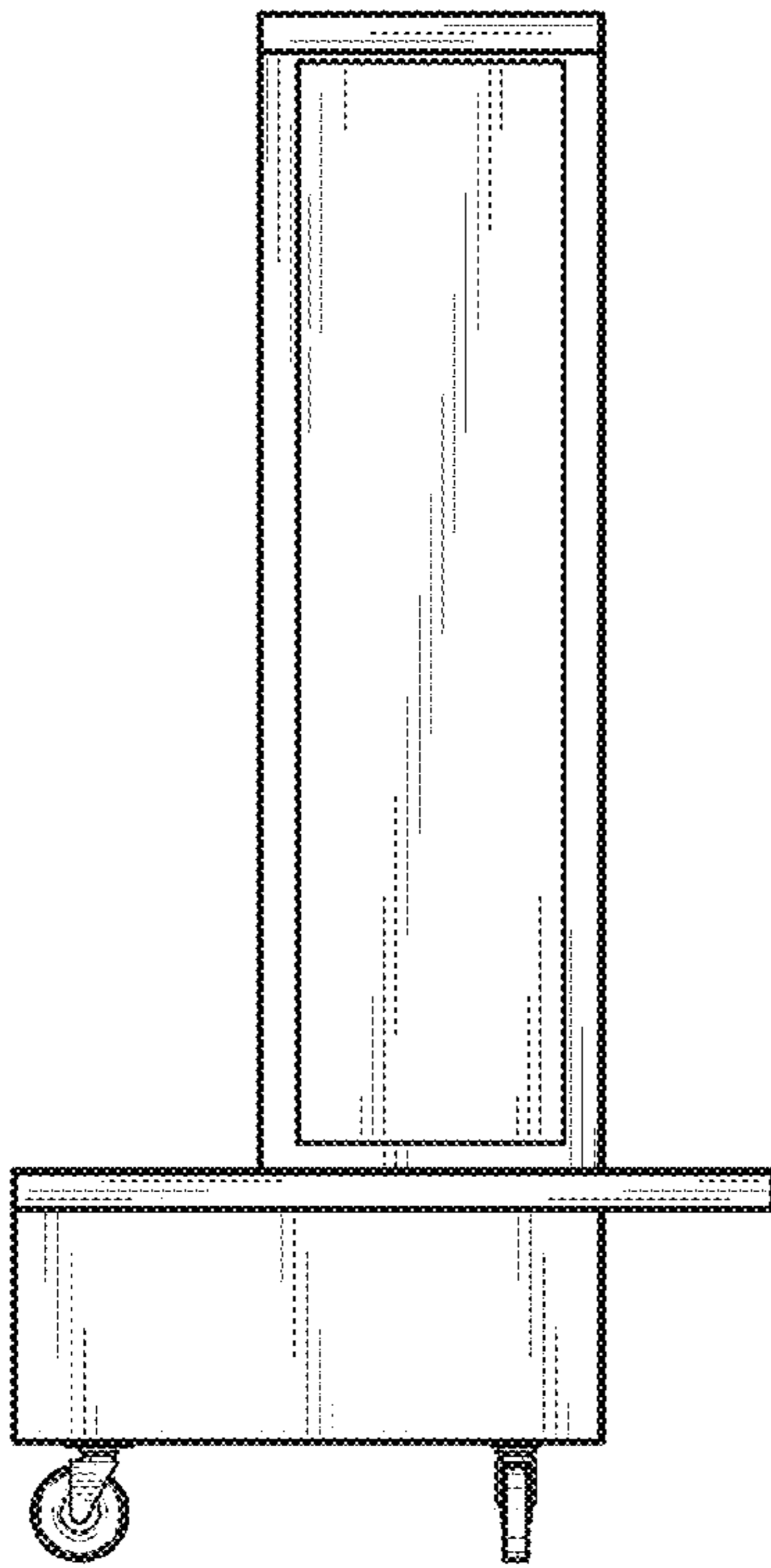


FIG. 6

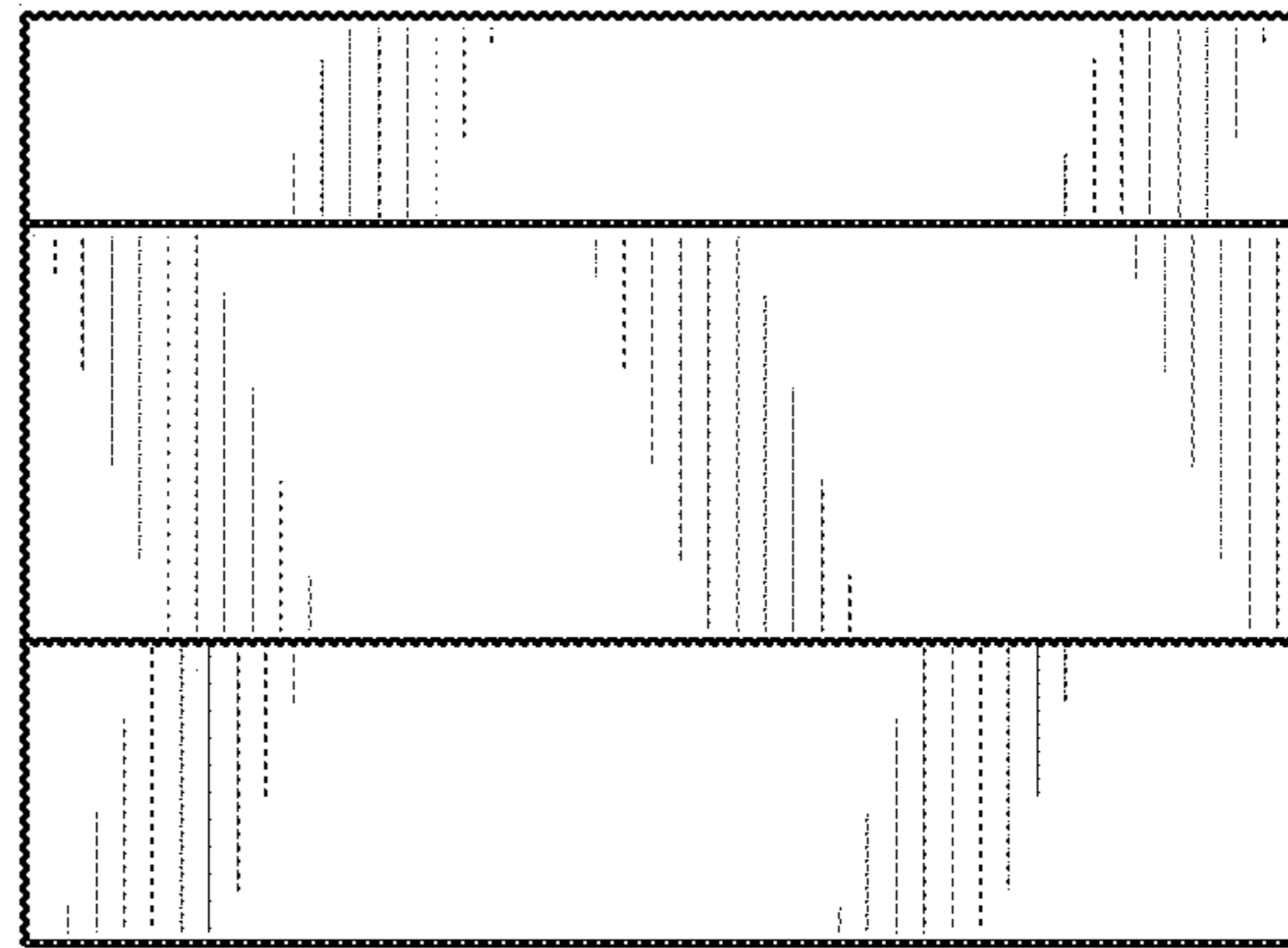


FIG. 7

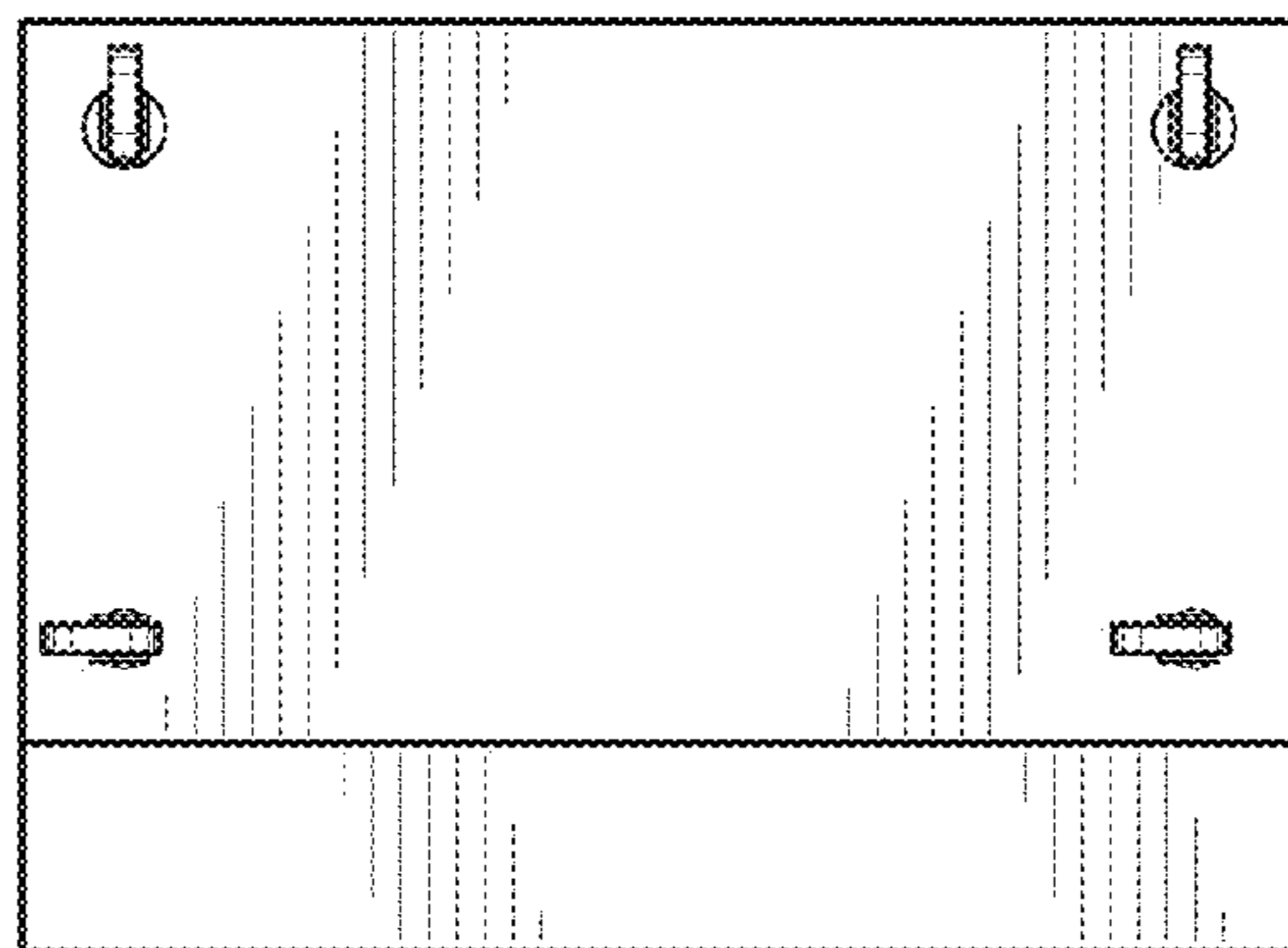


FIG. 8