



US00D737077S

(12) **United States Design Patent**  
**Cockayne et al.**

(10) **Patent No.:** **US D737,077 S**

(45) **Date of Patent:** **\*\* Aug. 25, 2015**

- (54) **MODEL TANK SUSPENSION**
- (71) Applicants: **Jonathan Albert Cockayne**, St. Astier de Duras (FR); **Blake Earl Bobbitt**, Memphis, TN (US)
- (72) Inventors: **Jonathan Albert Cockayne**, St. Astier de Duras (FR); **Blake Earl Bobbitt**, Memphis, TN (US)
- (\*\*) Term: **14 Years**
- (21) Appl. No.: **29/453,986**
- (22) Filed: **May 3, 2013**
- (51) **LOC (10) Cl.** ..... **06-04**
- (52) **U.S. Cl.**  
USPC ..... **D6/672**; D12/95
- (58) **Field of Classification Search**  
USPC ..... D6/553, 566, 575, 672, 675.5; D3/24; D7/359; D15/90; D23/266; D25/62, D25/64; D32/58; D34/29, 32; 104/44; 193/37; 198/851, 860.2; 211/34, 40  
CPC ..... A47F 5/0093; A47F 5/025; A63H 18/14; A63H 17/14  
See application file for complete search history.

D353,701 S *	12/1994	Beavers et al.	.....	D34/32
D370,717 S *	6/1996	Ziaylek et al.	.....	D23/266
5,595,308 A *	1/1997	King et al.	.....	211/40
D392,488 S *	3/1998	Emery et al.	.....	D6/566
5,852,978 A *	12/1998	Daschel	.....	104/44
D423,748 S *	4/2000	Neuwirth et al.	.....	D34/29
D480,736 S *	10/2003	Wright	.....	D15/90
D485,411 S *	1/2004	Valdez et al.	.....	D34/29
D497,007 S *	10/2004	Weber et al.	.....	D25/64
D518,988 S *	4/2006	Strand et al.	.....	D6/575
D572,065 S *	7/2008	Noble	.....	D6/553
D580,123 S *	11/2008	Ito et al.	.....	D34/29
D585,216 S *	1/2009	Colin	.....	D6/462
D660,981 S *	5/2012	Randall	.....	D25/64
D670,404 S *	11/2012	Fisette	.....	D25/62
D690,965 S *	10/2013	Goodman et al.	.....	D6/675.5
D690,966 S *	10/2013	Goodman et al.	.....	D6/675.5
D700,976 S *	3/2014	Casella	.....	D25/64
D710,633 S *	8/2014	Mudrick	.....	D6/675.5
D722,182 S *	2/2015	Green	.....	D25/64

\* cited by examiner

*Primary Examiner* — Sheryl Lane  
*Assistant Examiner* — Catherine Posthauer  
(74) *Attorney, Agent, or Firm* — QuickPatents; Kevin Prince

(57) **CLAIM**  
We claim the ornamental design for a model tank suspension, as shown and described.

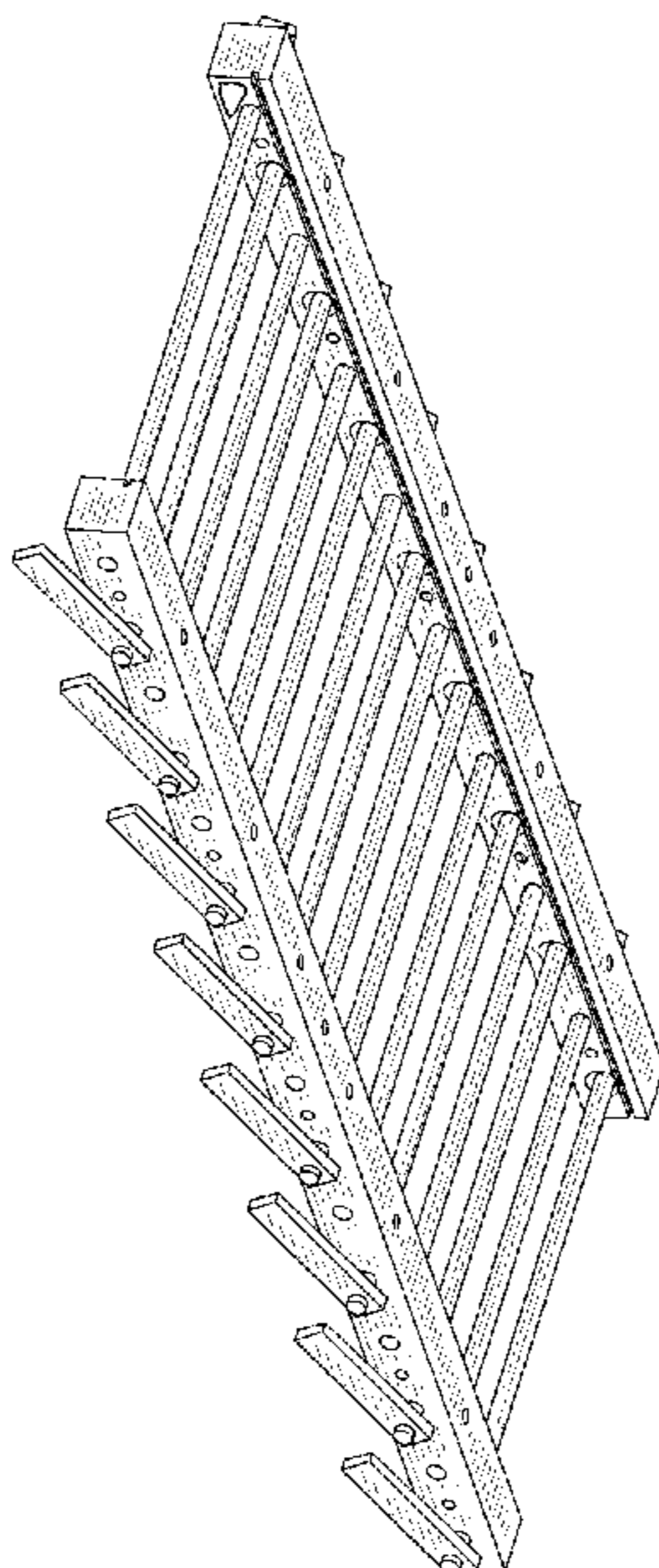
(56) **References Cited**  
U.S. PATENT DOCUMENTS

D126,195 S *	4/1941	Cohen	.....	D34/29
2,768,725 A *	10/1956	Foulds et al.	.....	193/37
3,225,901 A *	12/1965	Heinisch	.....	198/851
3,762,573 A *	10/1973	Collins et al.	.....	211/34
4,393,969 A *	7/1983	Woell	.....	193/35 TE
D279,539 S *	7/1985	Gerber	.....	D7/359
D295,232 S *	4/1988	Castel	.....	D3/24
D322,698 S *	12/1991	Cassel	.....	D32/58
D327,379 S *	6/1992	Driscoll	.....	D6/411
5,131,531 A *	7/1992	Chambers	.....	198/860.2

**DESCRIPTION**

FIG. 1 is a perspective view of a model tank suspension, showing our new design;  
FIG. 2 is a top plan view thereof;  
FIG. 3 is a bottom plan view thereof;  
FIG. 4 is a right-side elevational view thereof, the left-side elevational view being a mirror image thereof; and,  
FIG. 5 is a front elevational view thereof, the rear elevational view being a mirror image thereof.

**1 Claim, 3 Drawing Sheets**



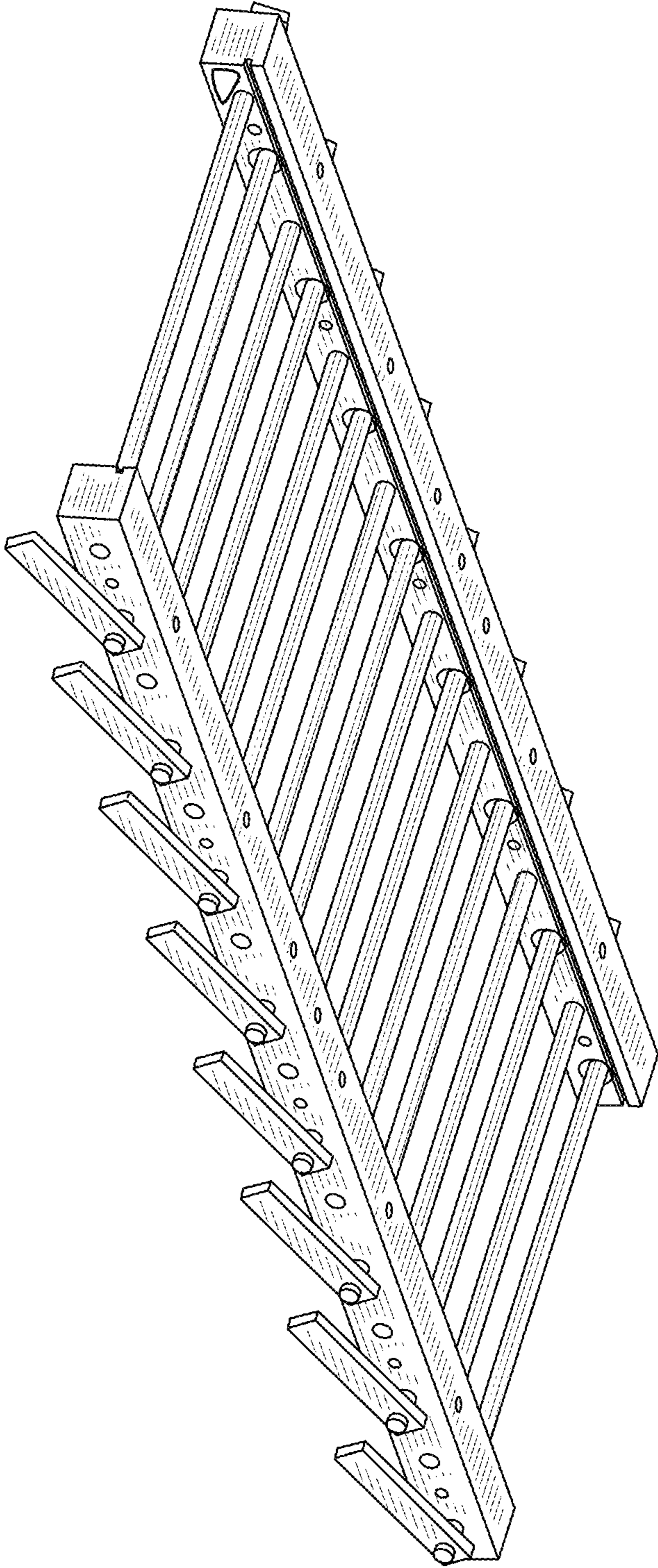


FIG. 1

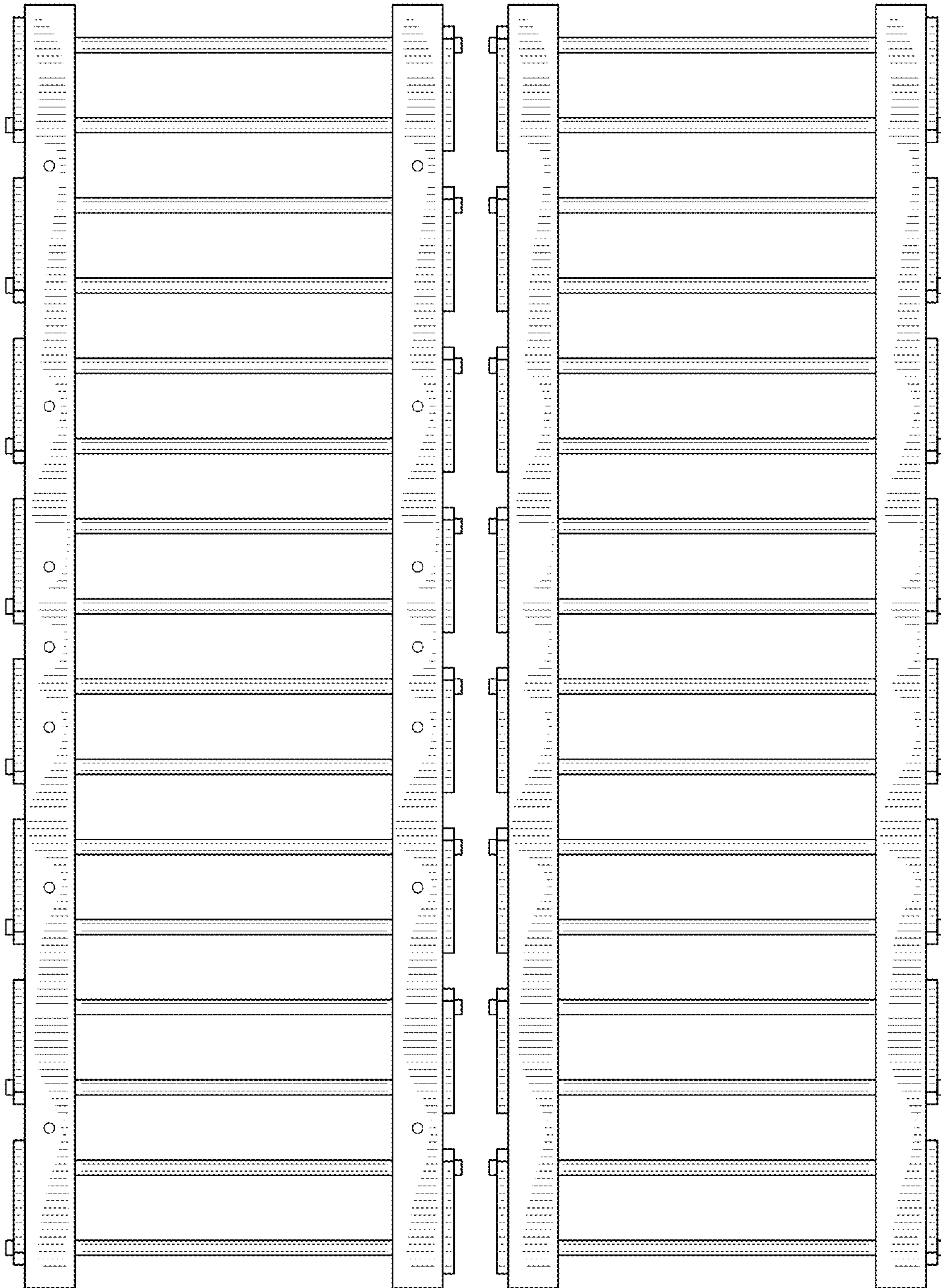


FIG. 2

FIG. 3



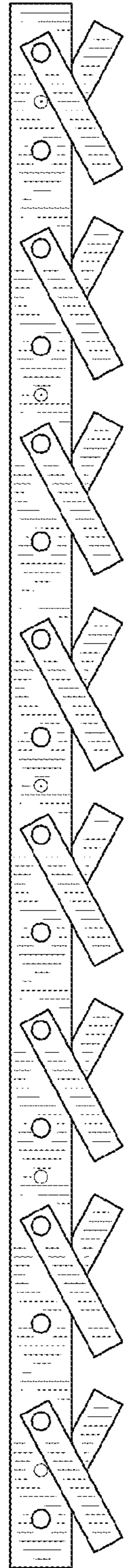


FIG. 4

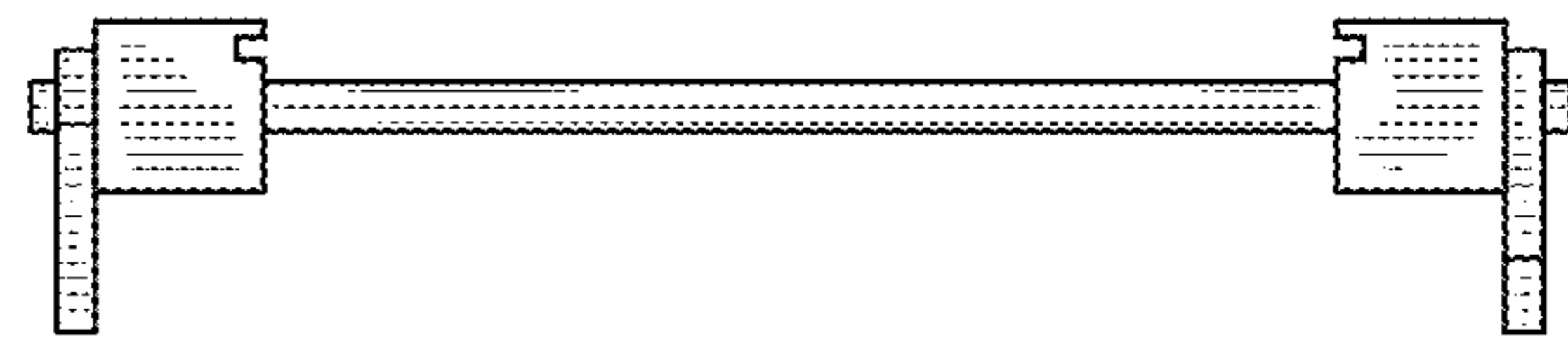


FIG. 5