



US00D737073S

(12) **United States Design Patent**  
**Hawkins**

(10) **Patent No.:** **US D737,073 S**

(45) **Date of Patent:** **\*\* Aug. 25, 2015**

(54) **MODULAR PILLOW SYSTEM**

(71) Applicant: **The Sleep Company**, Foster City, CA (US)

(72) Inventor: **Tanya L. Hawkins**, Foster City, CA (US)

(73) Assignee: **The Sleep Company**, Foster City, CA (US)

(\*\*) Term: **14 Years**

(21) Appl. No.: **29/468,419**

(22) Filed: **Sep. 30, 2013**

(51) **LOC (10) Cl.** ..... **06-09**

(52) **U.S. Cl.**  
USPC ..... **D6/601**

(58) **Field of Classification Search**  
USPC ..... D6/595-601, 604, 605; D21/803, 809; D24/183, 190-193; 5/420, 630-651, 5/652, 655.3, 655.9, 656, 706, 710, 5/690-692, 900, 902, 910, 922, 928-930, 5/932, 935, 948, 953; 128/202.18; 441/40, 66, 80-81, 127; D7/553.2, D7/553.5

CPC ..... A47G 9/10; A47G 9/1009; A47G 2009/1018; A47G 9/1027; A47G 9/1036; A47G 9/1045; A47G 9/1063; A47G 9/1072; A47G 9/1081; A47G 9/109

See application file for complete search history.

(56) **References Cited**

**U.S. PATENT DOCUMENTS**

3,128,480 A \* 4/1964 Lineback ..... 5/709  
4,916,765 A \* 4/1990 Castronovo, Jr. .... 5/640

(Continued)

**OTHER PUBLICATIONS**

Picture of pillow on applicant's Facebook page.

(Continued)

*Primary Examiner* — Thomas Johannes

*Assistant Examiner* — Nathaniel D Buckner

(74) *Attorney, Agent, or Firm* — Renner, Otto, Boisselle & Sklar, LLP

(57) **CLAIM**

The ornamental design for a modular pillow system, as shown and described.

**DESCRIPTION**

FIG. 1 is a perspective view of a first embodiment of a modular pillow system showing my new design as seen from the top left end thereof.

FIG. 2 is a top view thereof, the bottom view being a mirror image.

FIG. 3 is a right side view thereof, the left side view being a mirror image.

FIG. 4 is a left end view thereof, the right end view being a mirror image.

FIG. 5 is a second perspective view of the modular pillow system of FIG. 1 with portions of the outer cover broken away to show the two bolster components and center pillow component interposed between the two bolster components within the outer cover.

FIG. 6 is a perspective view of one of the bolster components of the modular pillow system as seen from the top left end thereof, the other bolster component being the same.

FIG. 7 is a top view of the bolster component of FIG. 6, the bottom view being a mirror image.

FIG. 8 is a right side view of the bolster component of FIG. 6, the left side view being a mirror image.

FIG. 9 is a left end view of the bolster component of FIG. 6, the right end view being a mirror image.

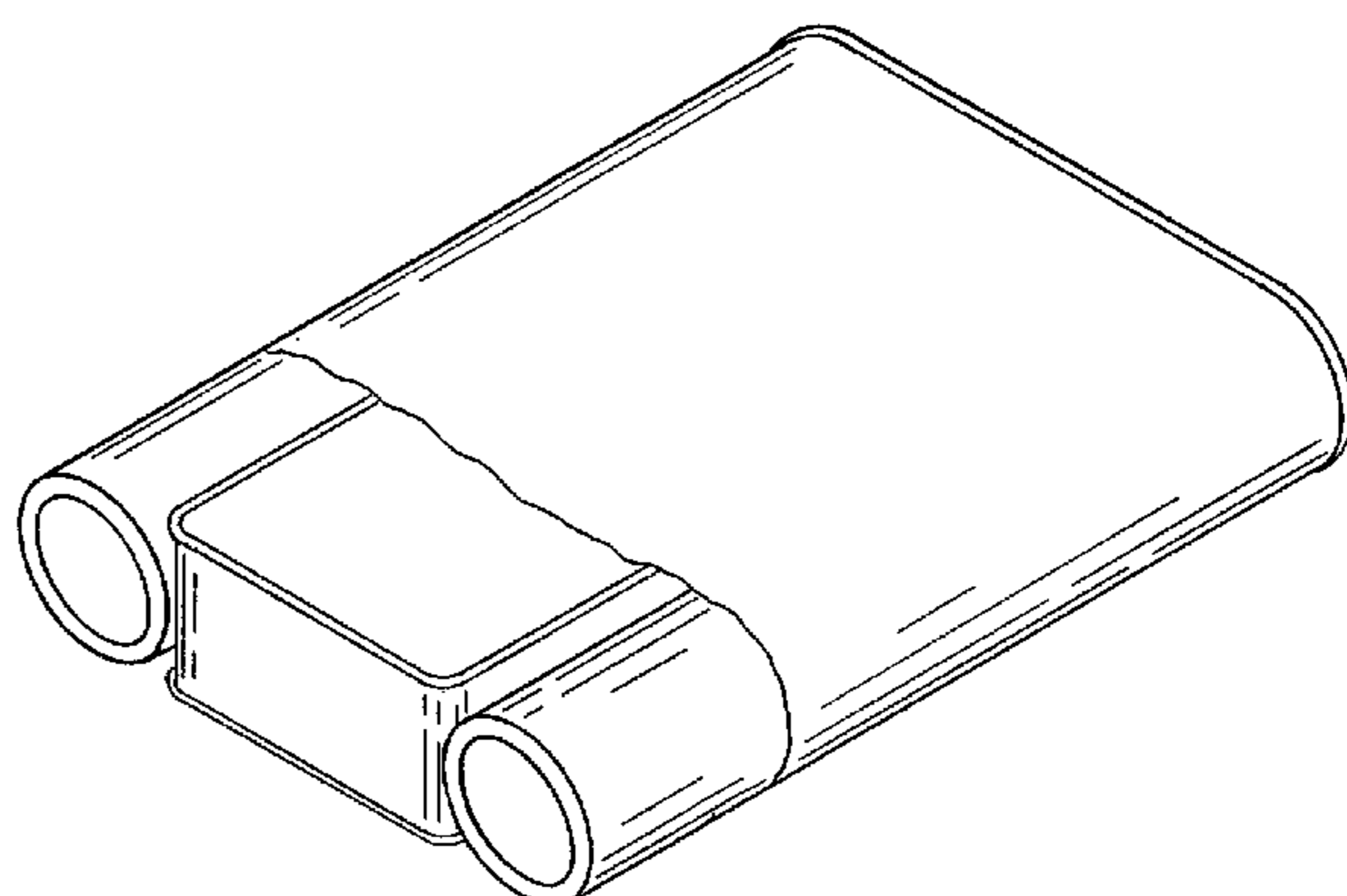
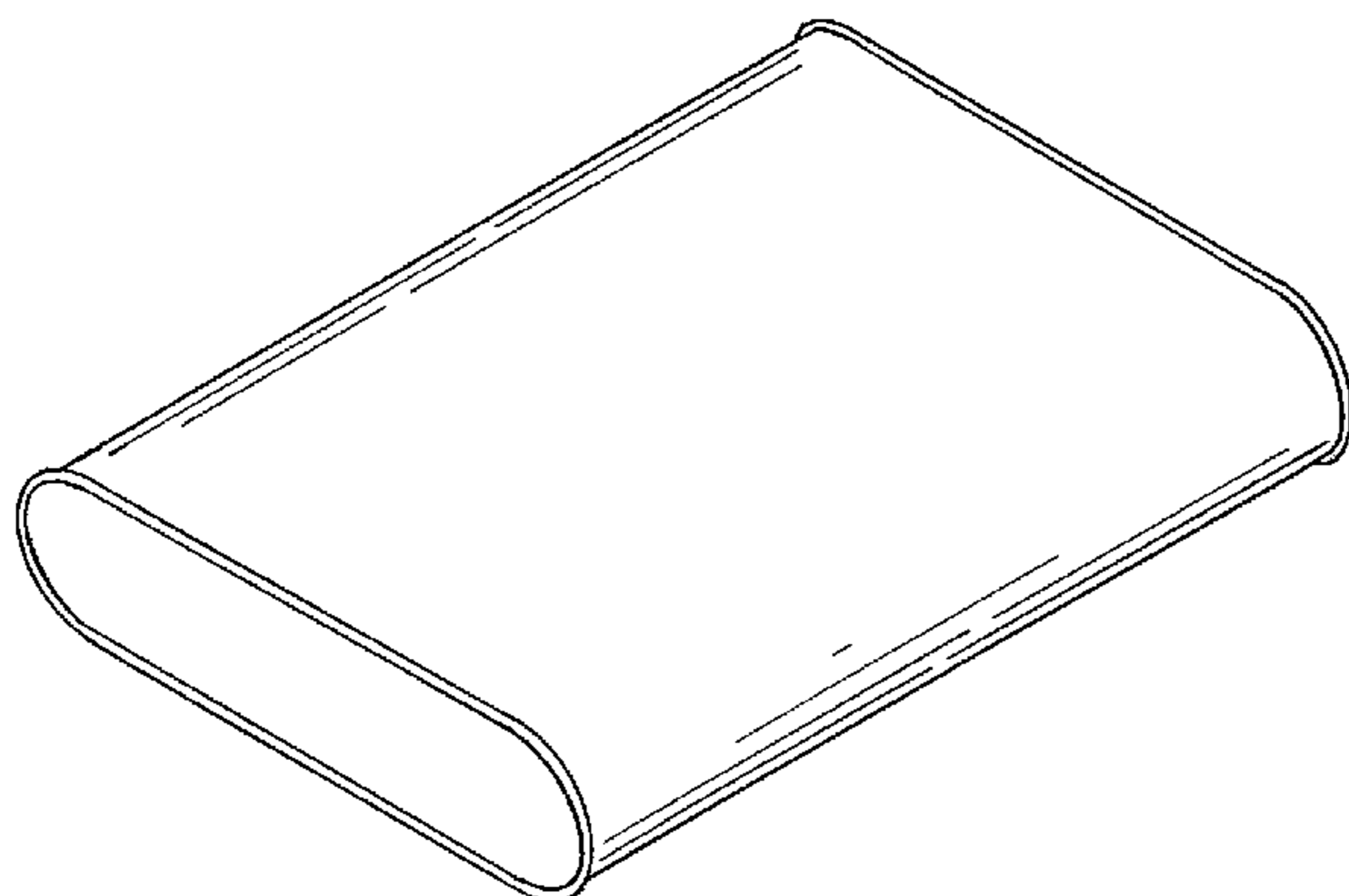
FIG. 10 is a perspective view of the pillow component of the modular pillow system as seen from the top left end thereof.

FIG. 11 is a top view of the pillow component of FIG. 10, the bottom view being a mirror image.

FIG. 12 is a right side view of the pillow component of FIG. 10, the left side view being a mirror image; and,

FIG. 13 is a left end view of the pillow component of FIG. 10, the right end view being a mirror image.

**1 Claim, 3 Drawing Sheets**



(56)

**References Cited**

U.S. PATENT DOCUMENTS

D353,494 S \* 12/1994 Beger ..... D6/333  
6,490,743 B1 \* 12/2002 Adat et al. .... 5/645  
7,681,263 B1 3/2010 Hawkins  
7,735,169 B2 6/2010 Wassilefsky  
D651,770 S \* 1/2012 Seliskar et al. .... D30/160  
D670,122 S \* 11/2012 Childress ..... D6/601  
D672,182 S \* 12/2012 Mischak ..... D6/601  
D691,828 S \* 10/2013 Rosenberg ..... D6/601  
D699,482 S \* 2/2014 Kearns ..... D6/601  
D699,483 S \* 2/2014 Berg ..... D6/601  
8,656,537 B2 \* 2/2014 Leifermann et al. .... 5/636

D701,713 S \* 4/2014 Kertesz et al. .... D6/606  
D706,061 S \* 6/2014 Evans ..... D6/601  
2001/0003219 A1 \* 6/2001 Chou ..... 5/636  
2004/0133987 A1 \* 7/2004 Reeder et al. .... 5/713  
2007/0022540 A1 \* 2/2007 Hochschild ..... 5/727  
2007/0094801 A1 \* 5/2007 Kuo ..... 5/655.5  
2009/0038078 A1 \* 2/2009 House ..... 5/636  
2013/0191998 A1 8/2013 Wootten, Jr.  
2013/0232695 A1 \* 9/2013 Koci ..... 5/640  
2013/0263377 A1 10/2013 Wootten, Jr.

OTHER PUBLICATIONS

Furniture Today related to Las Vegas bedding show, Aug. 16, 2011.

\* cited by examiner

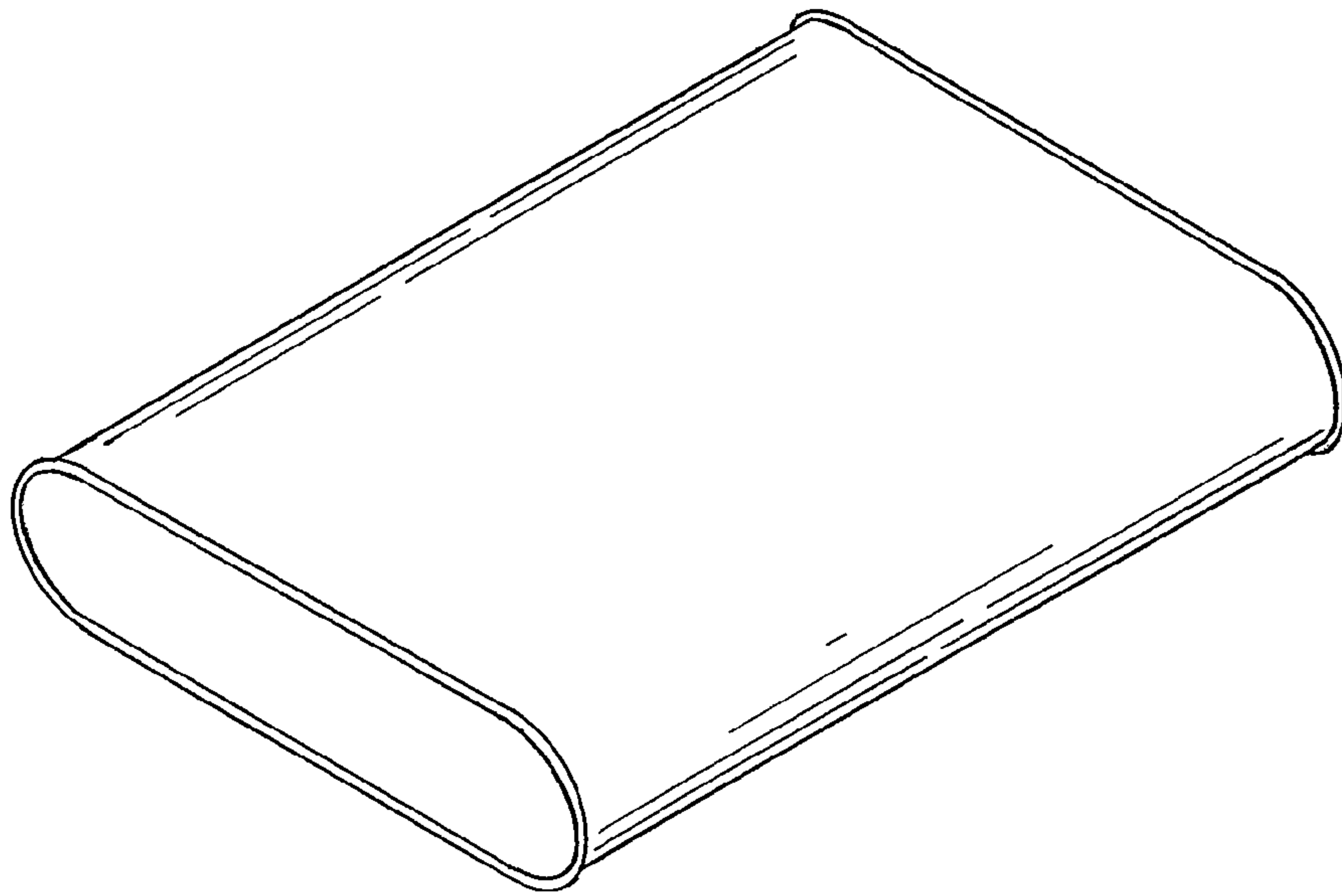


FIG. 1

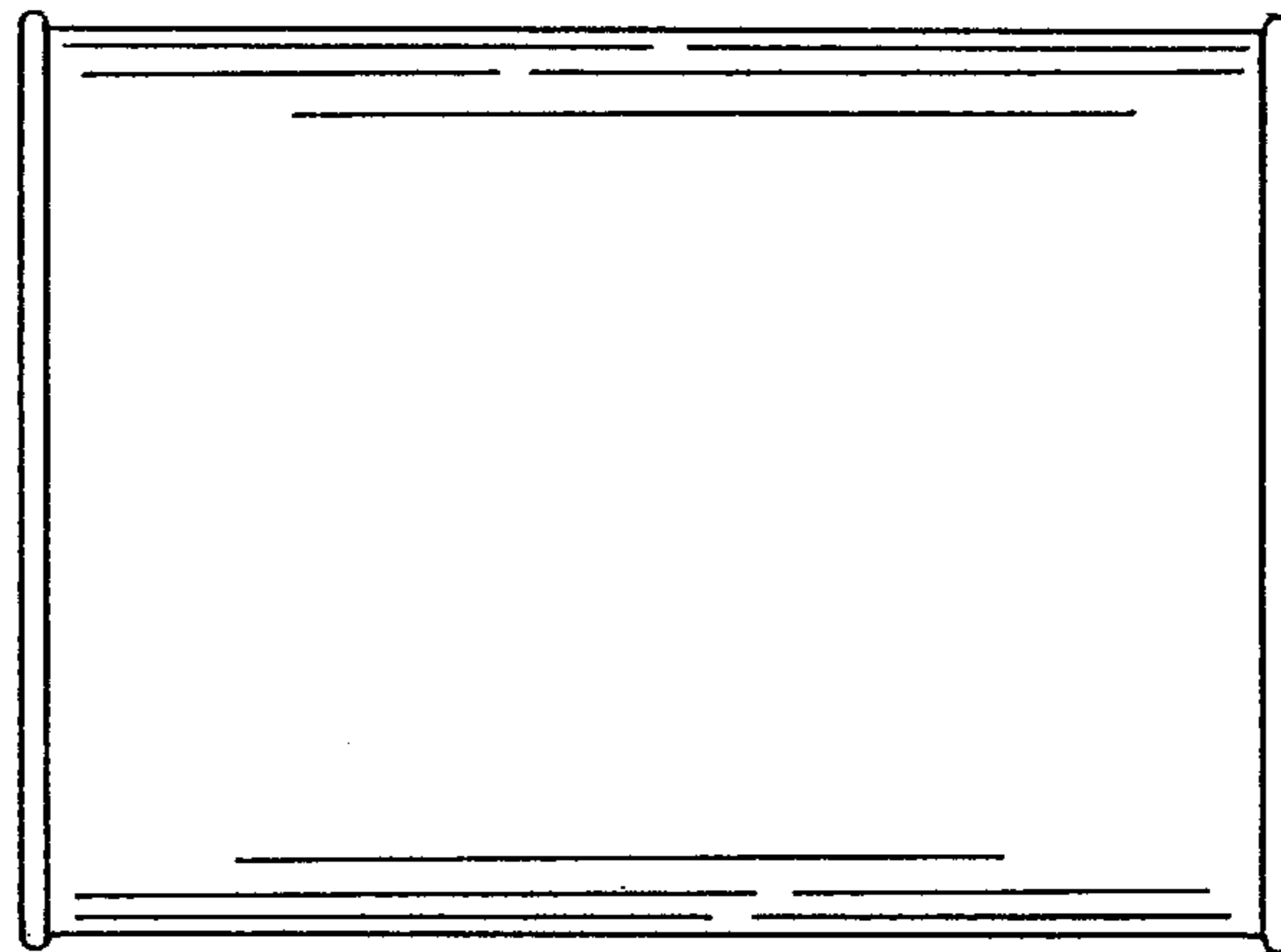


FIG. 2

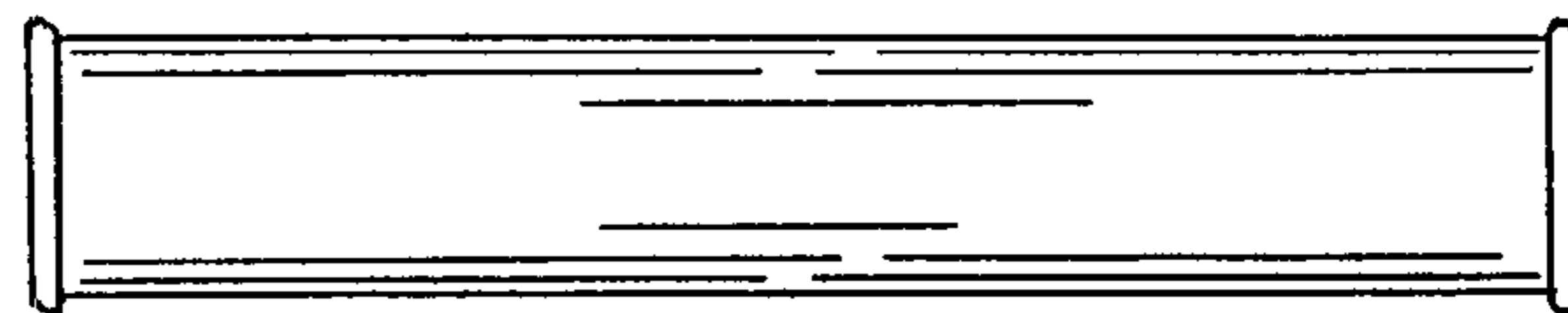


FIG. 3

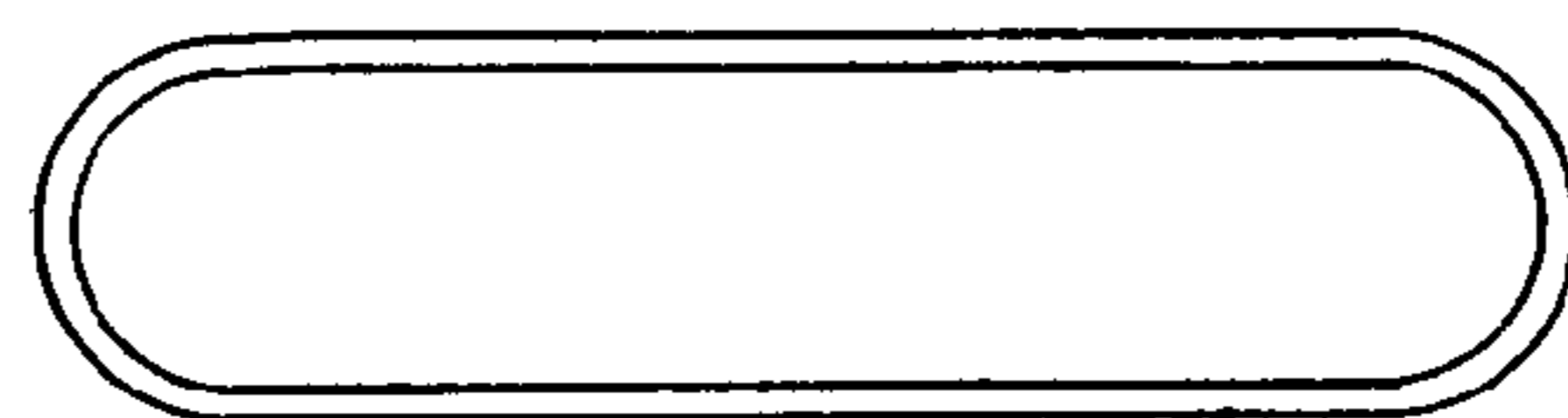


FIG. 4

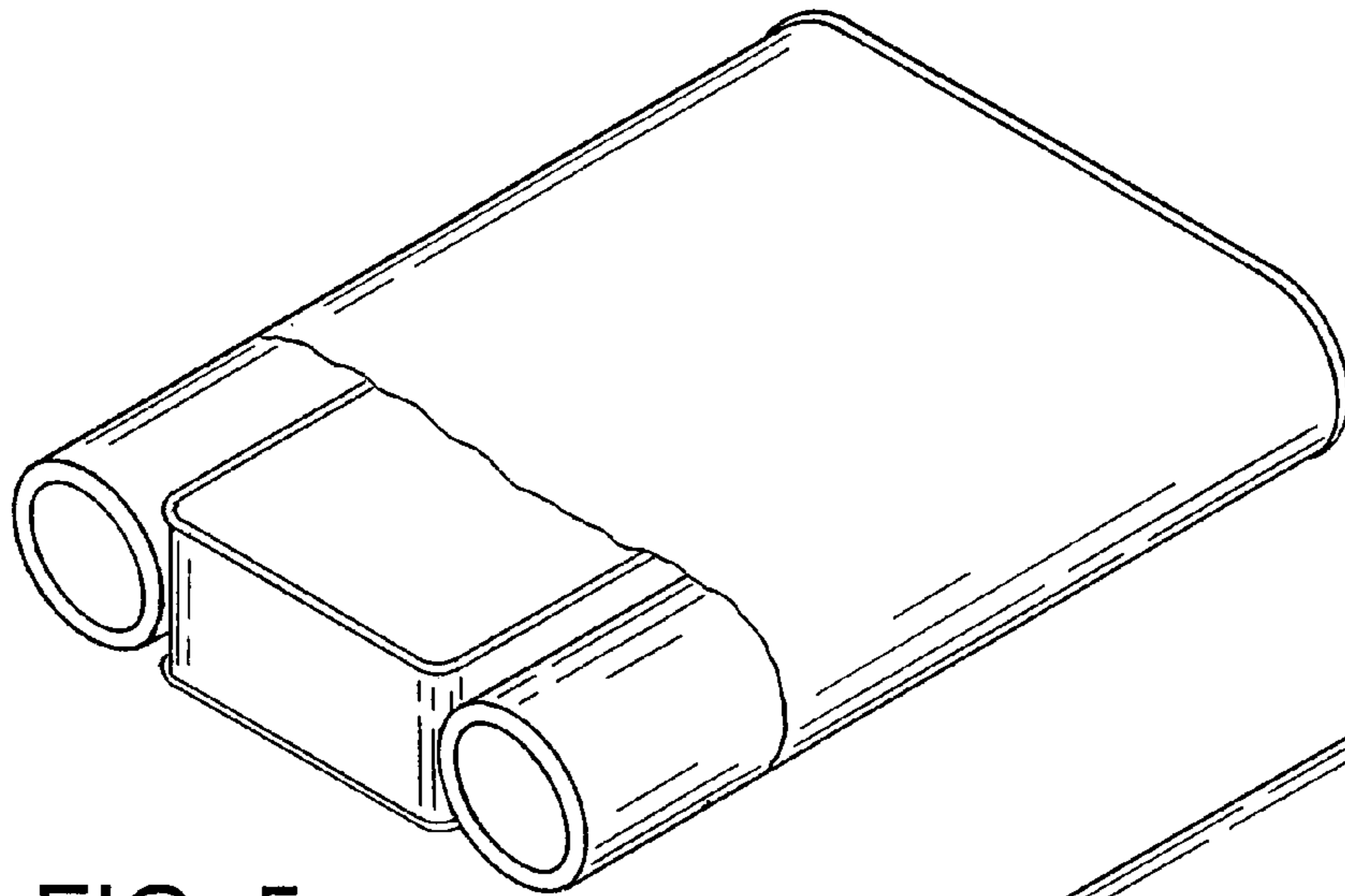


FIG. 5

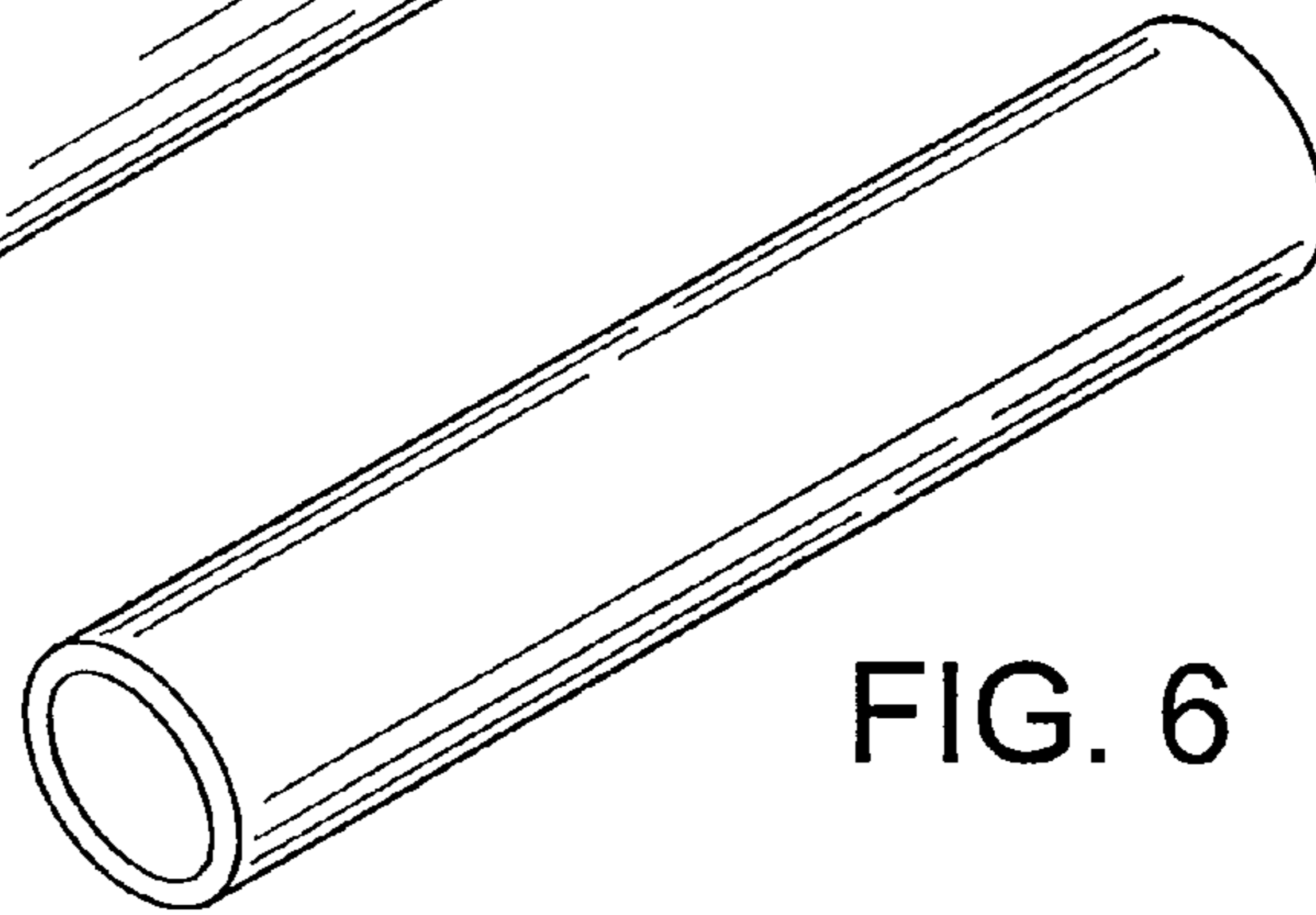


FIG. 6

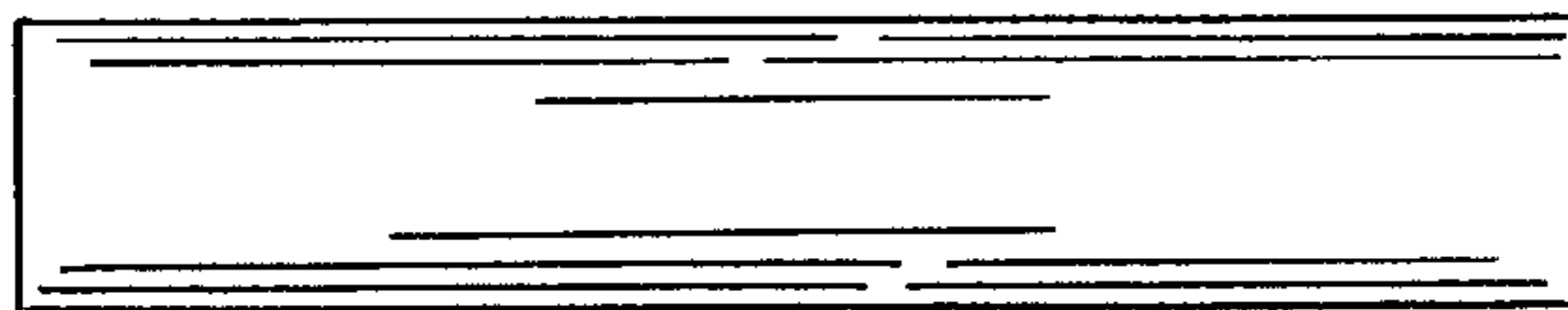


FIG. 7

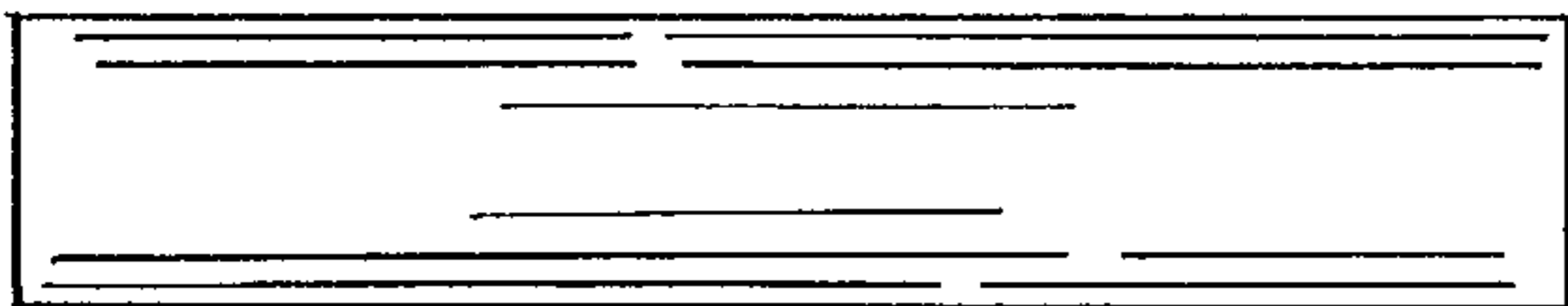


FIG. 8

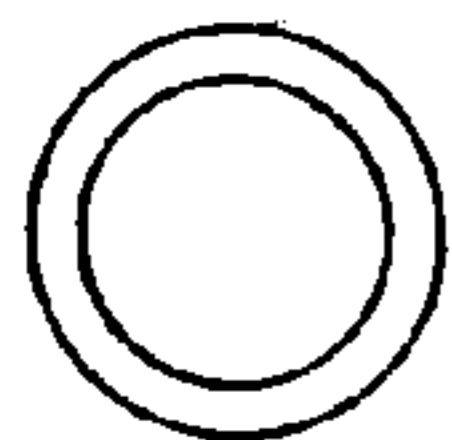


FIG. 9

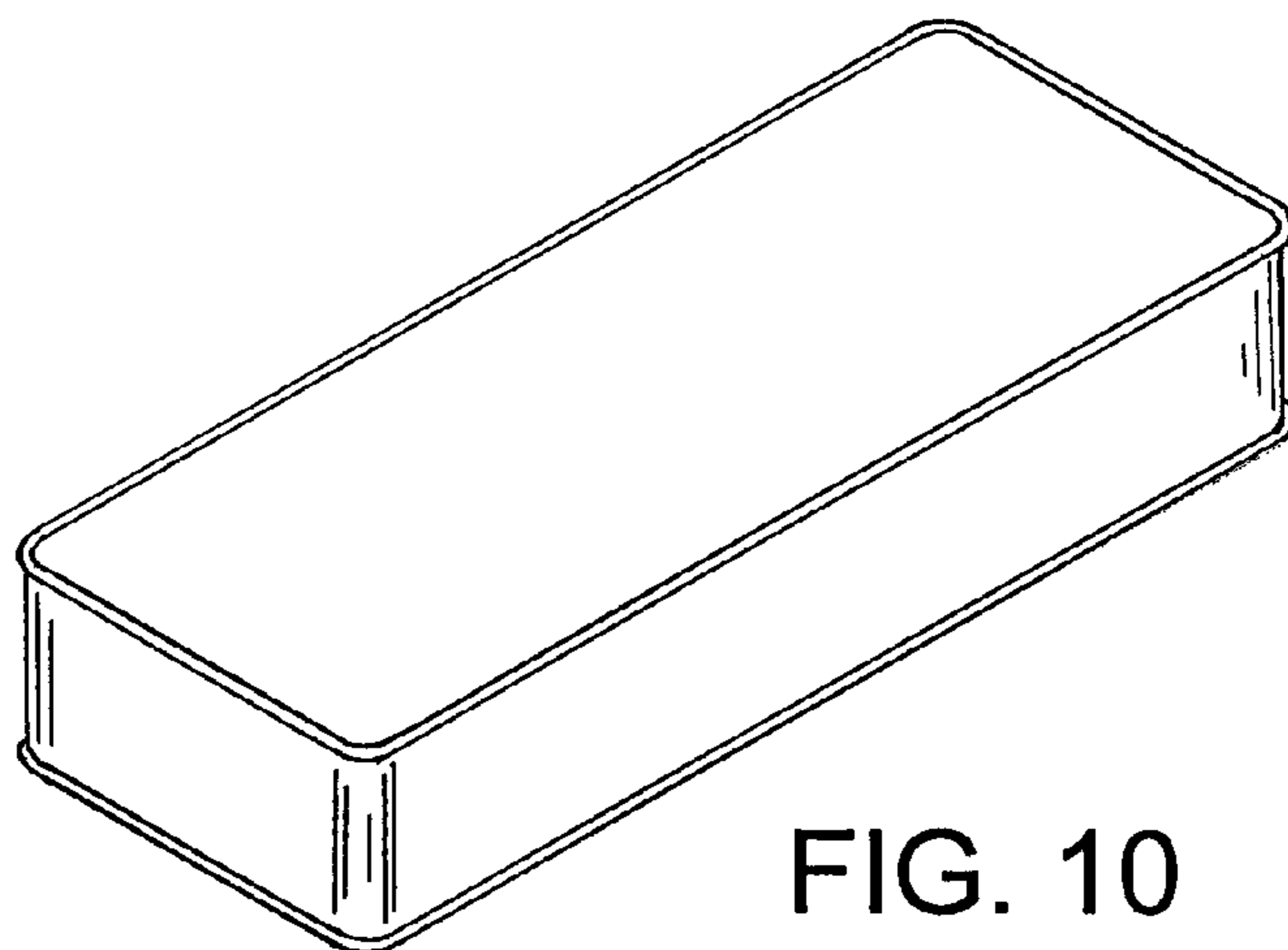


FIG. 10

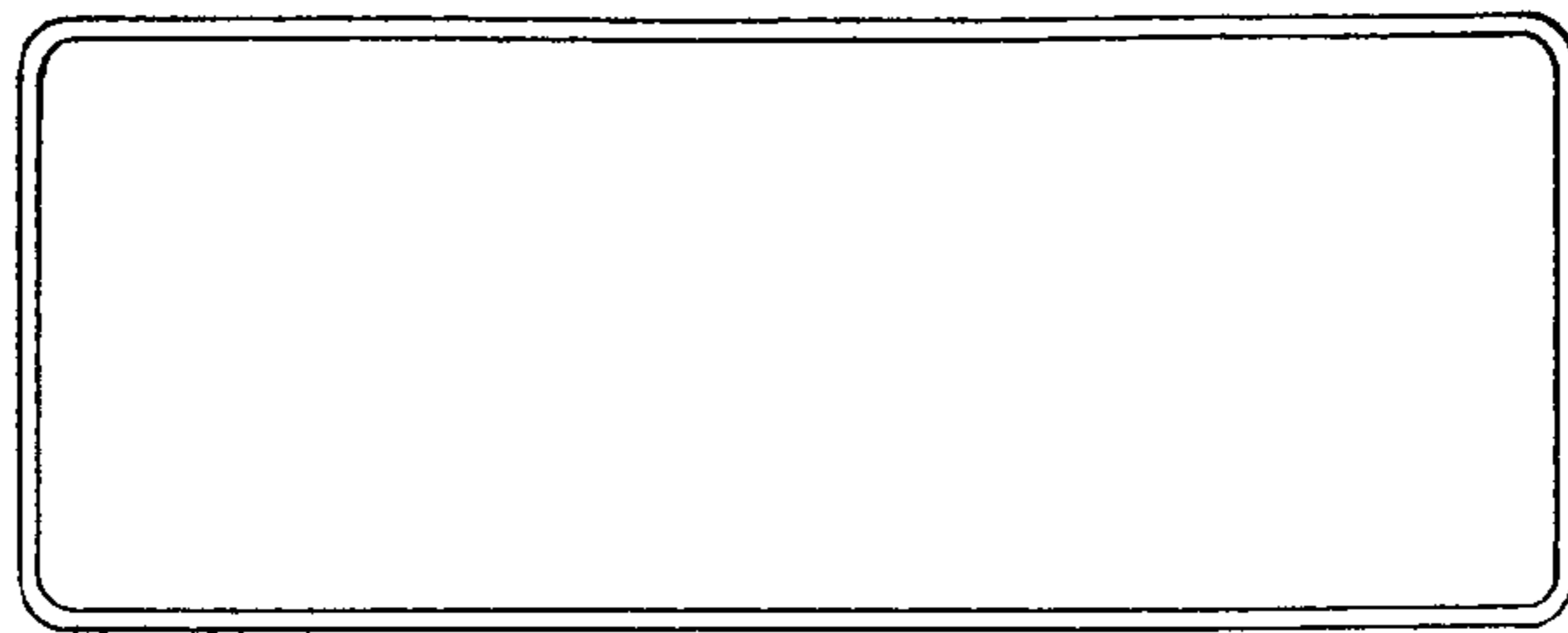


FIG. 11

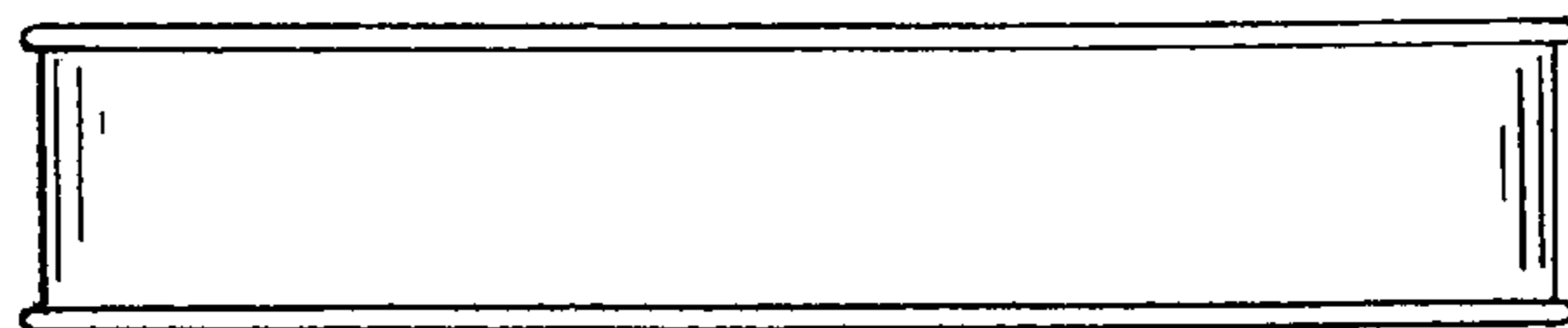


FIG. 12

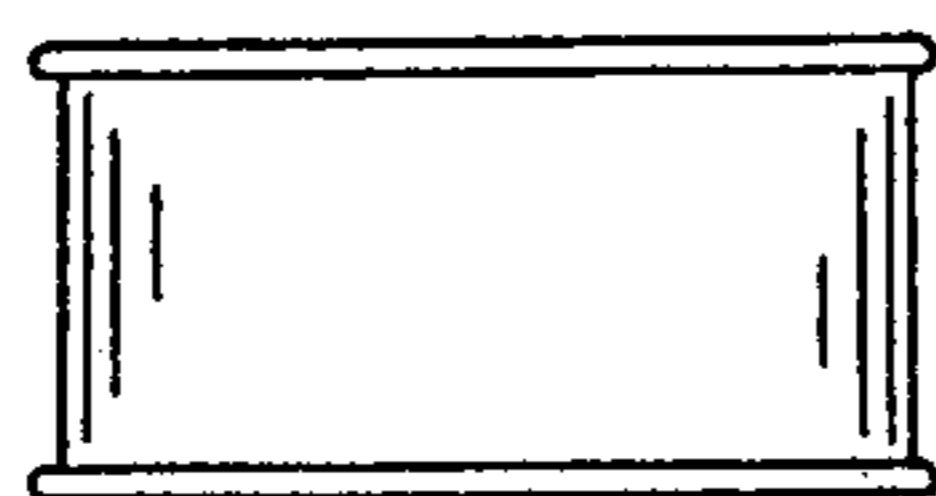


FIG. 13