



US00D737071S

(12) **United States Design Patent**  
**Costello et al.**

(10) **Patent No.:** **US D737,071 S**  
(45) **Date of Patent:** **\*\* Aug. 25, 2015**

(54) **SPOOL DISPENSER**

(71) Applicant: **Roplast Industries, Inc.**, Oroville, CA (US)

(72) Inventors: **Darrell Costello**, Chico, CA (US);  
**Robert T. Bateman**, Oroville, CA (US)

(73) Assignee: **Roplast Industries, Inc.**, Oroville, CA (US)

(\*\*) Term: **14 Years**

(21) Appl. No.: **29/517,540**

(22) Filed: **Feb. 13, 2015**

**Related U.S. Application Data**

(62) Division of application No. 29/458,419, filed on Jun. 19, 2013, now Pat. No. Des. 725,400.

(51) **LOC (10) Cl.** ..... **20-02**

(52) **U.S. Cl.**  
USPC ..... **D6/518**

(58) **Field of Classification Search**  
USPC ..... D6/515-518  
CPC ..... A47F 7/021; A47F 5/05; A47F 7/00;  
A47F 1/126; A47F 7/163; A47K 10/40;  
A47K 10/3836; B66D 1/7442  
See application file for complete search history.

(56) **References Cited**

**U.S. PATENT DOCUMENTS**

D263,911 S \* 4/1982 Heinrichsdorff ..... D6/408  
D313,899 S \* 1/1991 Barker et al. .... D6/408  
D382,160 S \* 8/1997 Keogh ..... D6/566

D428,544 S \* 7/2000 Moffitt et al. .... D34/5  
D435,379 S \* 12/2000 Nguyen ..... D6/515  
D533,002 S \* 12/2006 Recknagel et al. .... D6/566  
D577,989 S \* 10/2008 Ernst et al. .... D8/373  
D632,108 S \* 2/2011 Snider ..... D6/520  
D651,435 S \* 1/2012 Dieudonne et al. .... D6/515  
D655,986 S \* 3/2012 Schneider ..... D7/620  
D660,064 S \* 5/2012 Webb et al. .... D6/566  
D660,066 S \* 5/2012 Webb et al. .... D6/566  
D669,636 S \* 10/2012 Goodman et al. .... D28/73  
D696,040 S \* 12/2013 Tsai ..... D6/515  
D699,965 S \* 2/2014 Costello et al. .... D6/515

\* cited by examiner

*Primary Examiner* — Brian N Vinson

(74) *Attorney, Agent, or Firm* — Gordon Rees Scully Mansukhani LLP

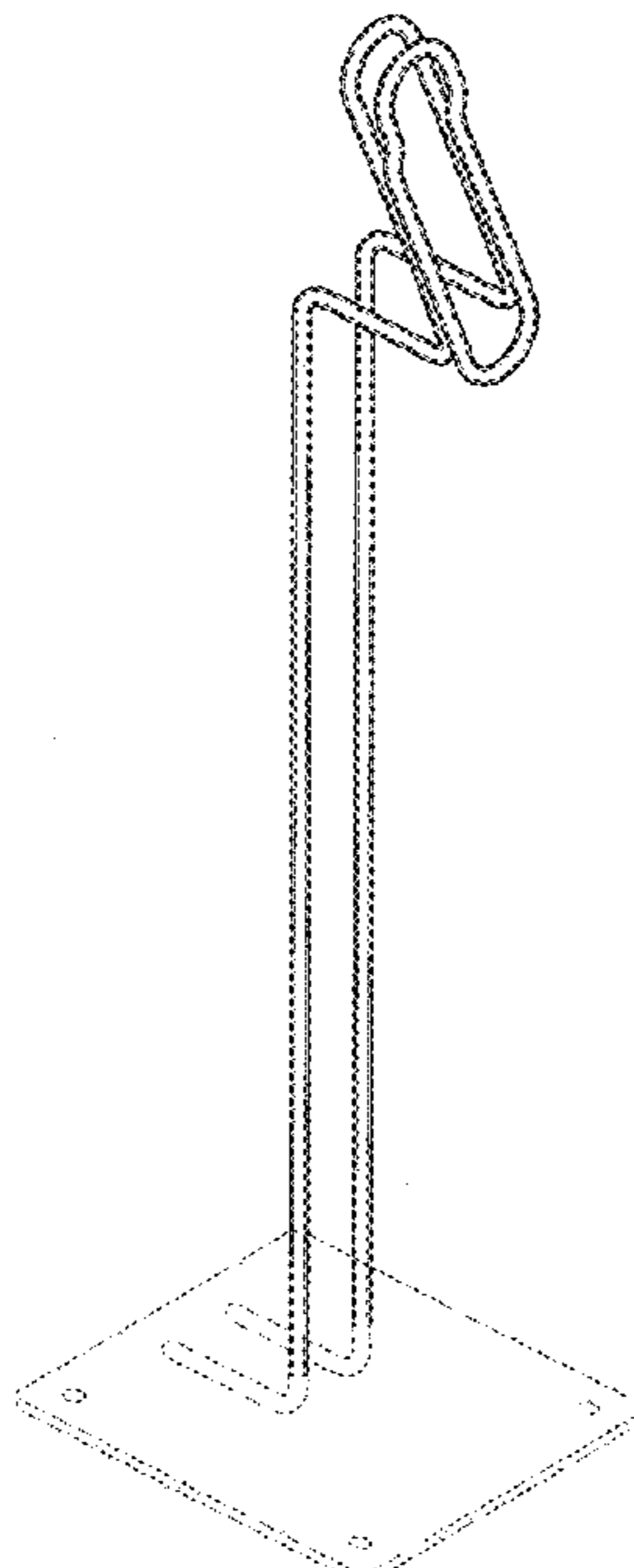
(57) **CLAIM**

The ornamental design for a spool dispenser, as shown and described.

**DESCRIPTION**

FIG. 1 is a perspective view of a horizontally mounted embodiment of a spool dispenser showing our new design. FIG. 2 is a left side elevation view thereof. FIG. 3 is a right side elevation view thereof. FIG. 4 is back elevation view thereof. FIG. 5 is a front elevation view thereof. FIG. 6 is a top plan view thereof. FIG. 7 is a bottom plan view thereof; and, FIG. 8 is a perspective view thereof with the broken-line disclosure of a spool being for illustrative purposes only and forming no part of the claimed design. The broken-lines are for illustration purposes only and form no part of the claimed design.

**1 Claim, 5 Drawing Sheets**



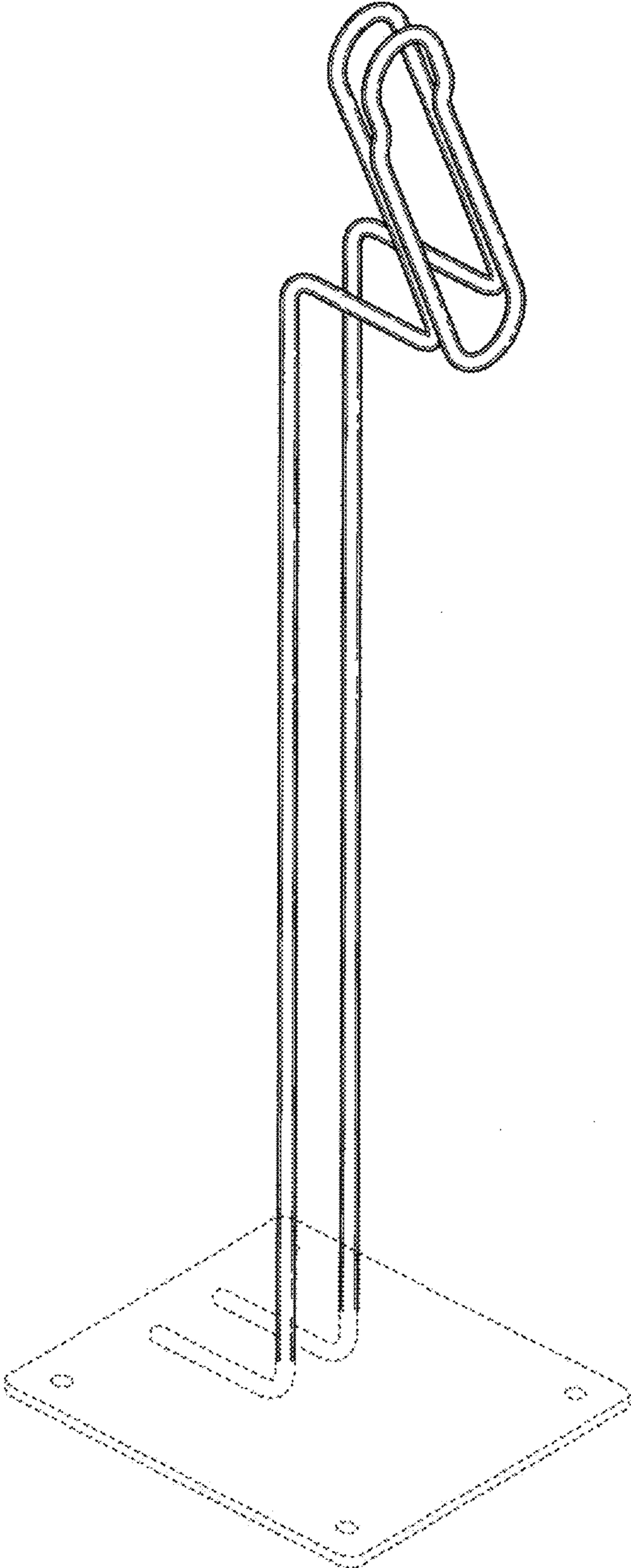


FIG. 1

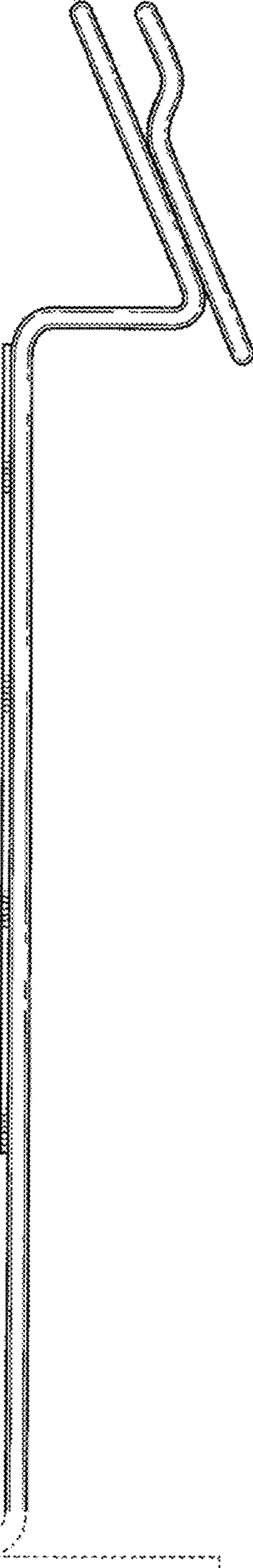


FIG. 2

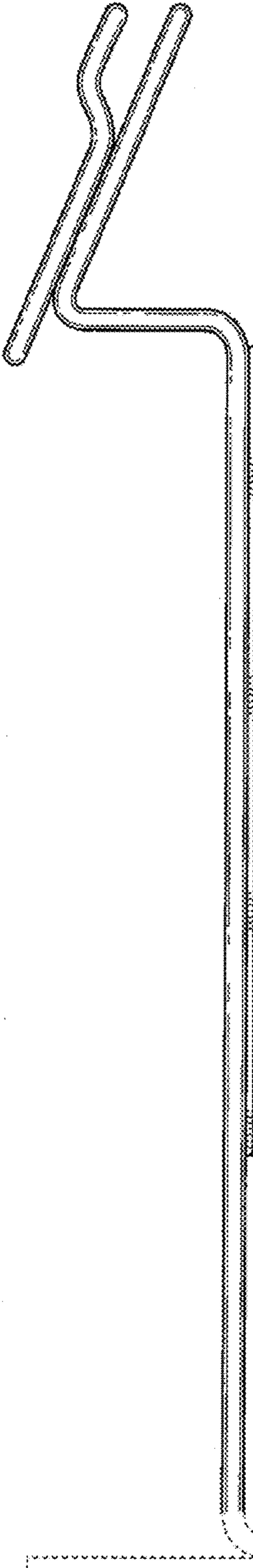


FIG. 3

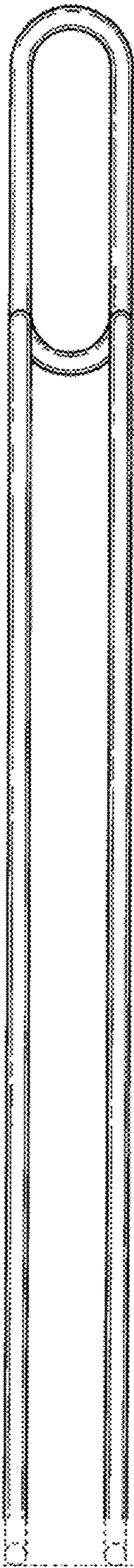


FIG. 4

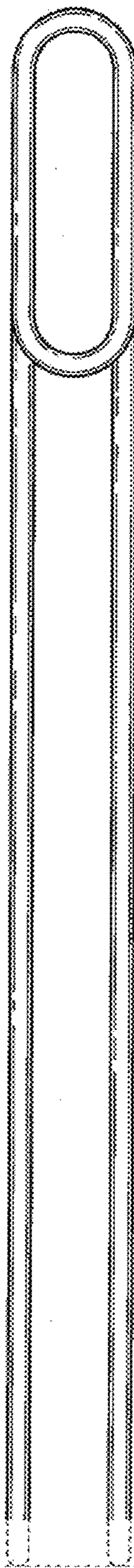


FIG. 5

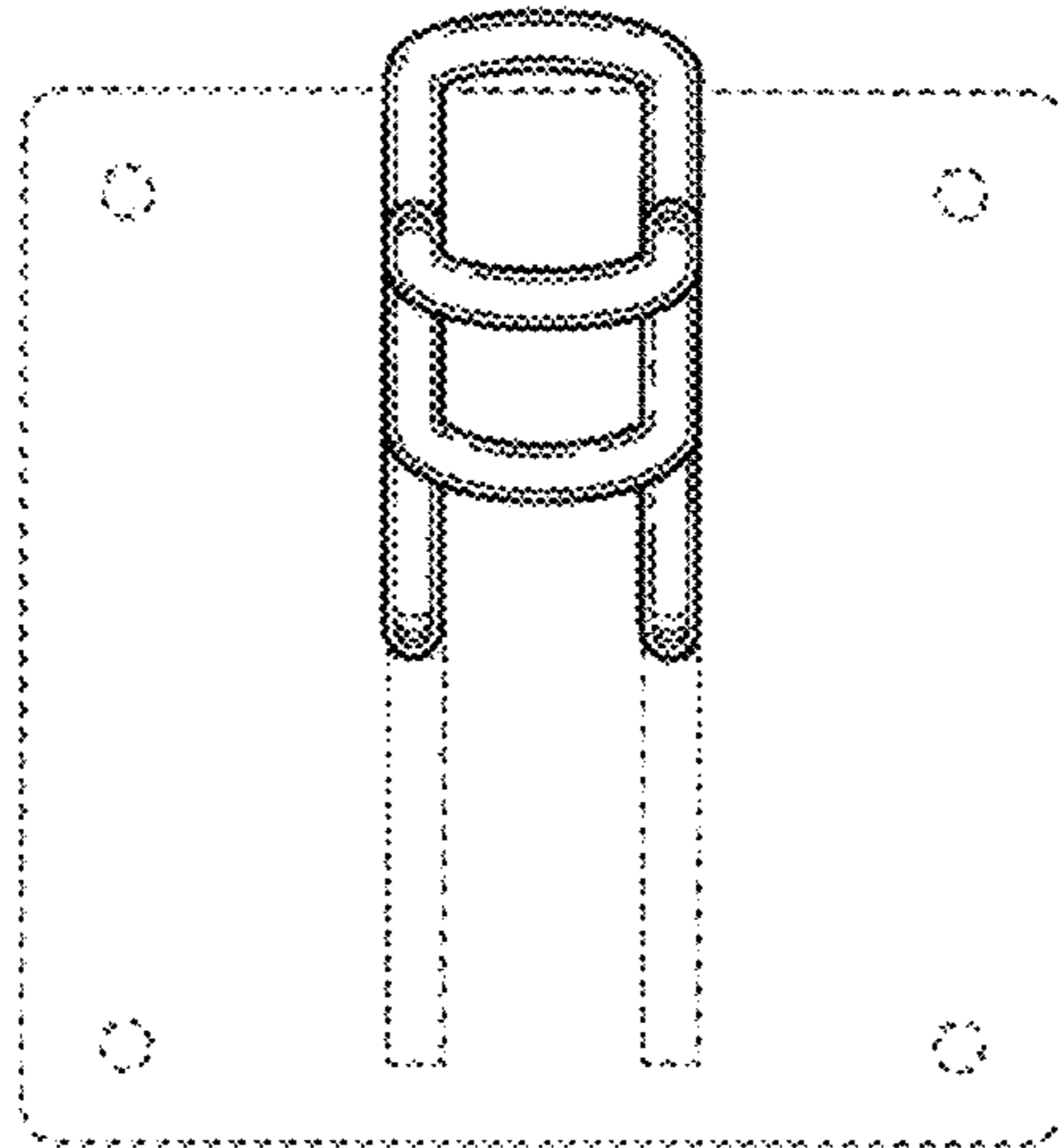


FIG. 6

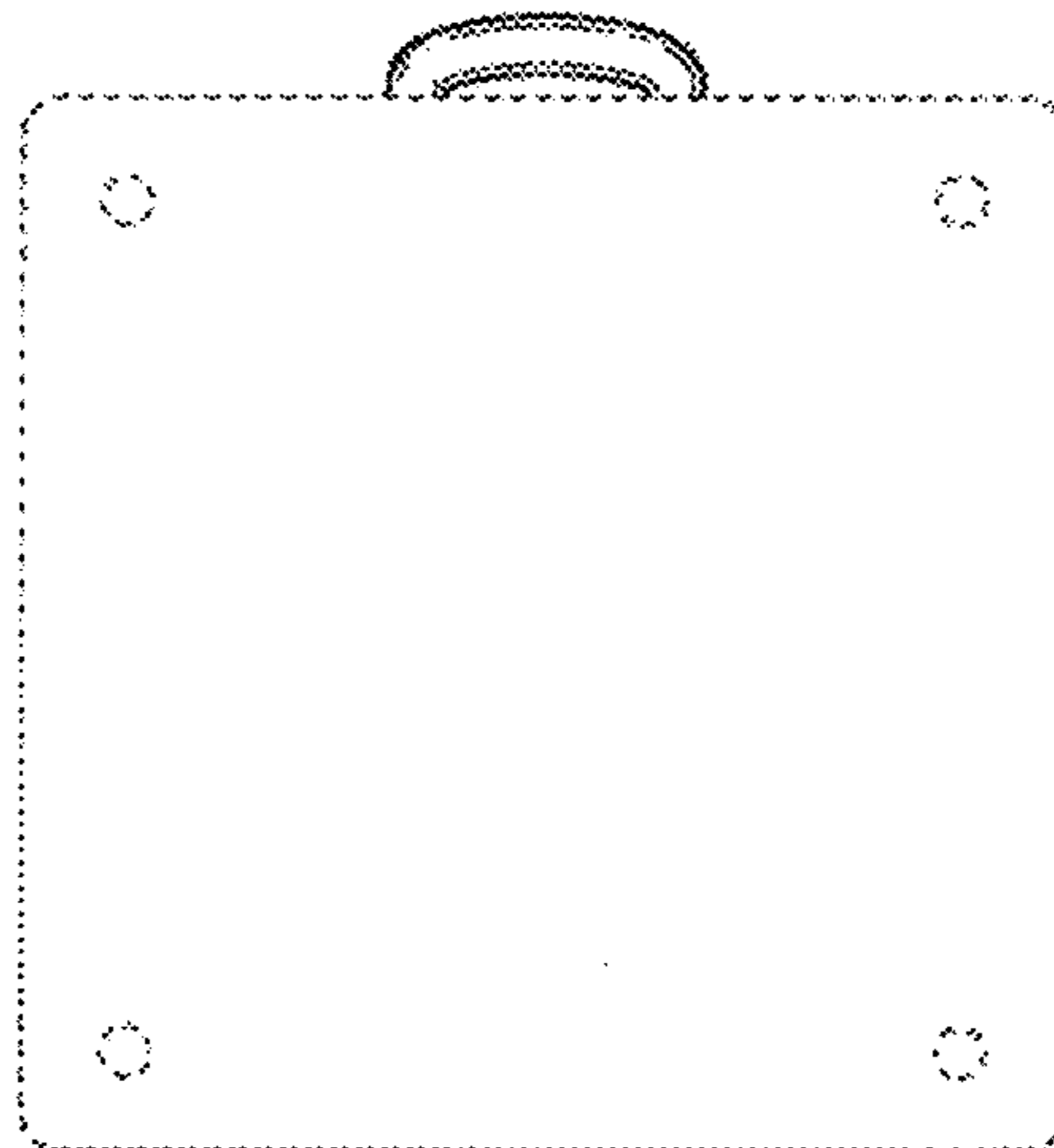


FIG. 7

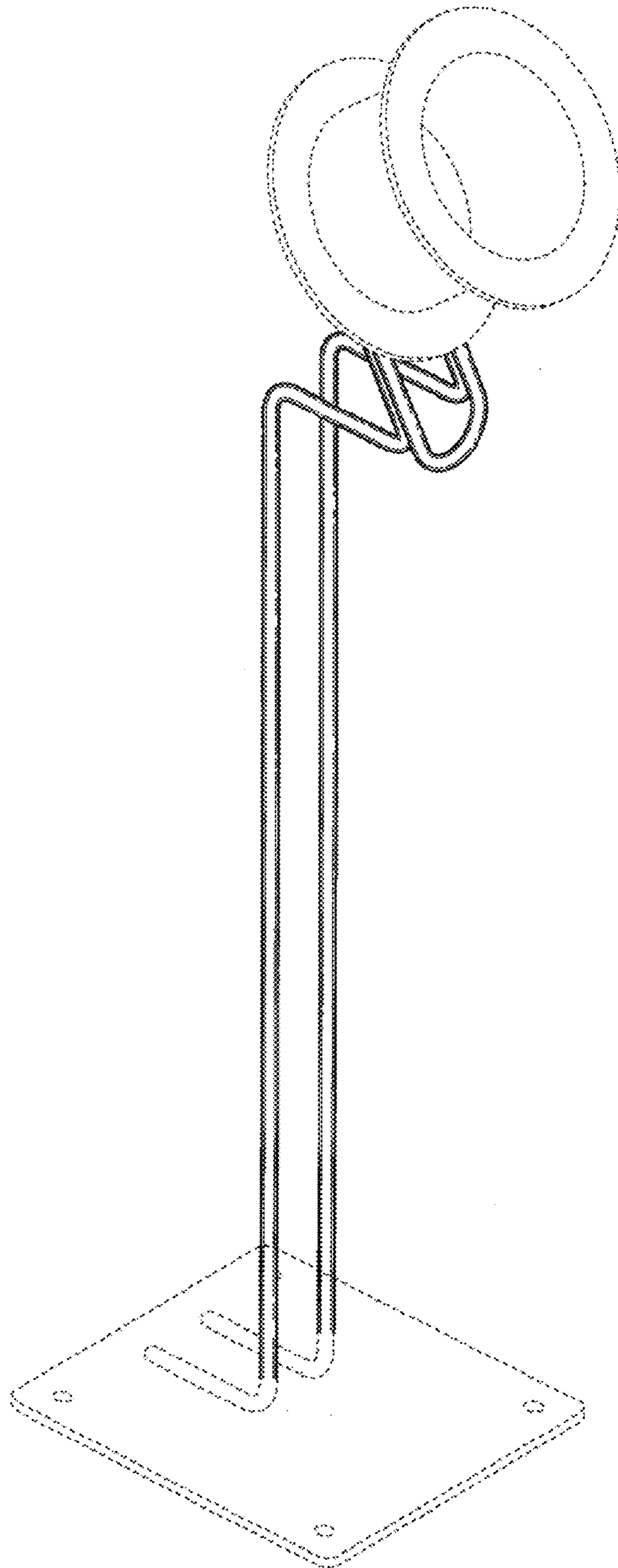


FIG. 8