



US00D737068S

(12) **United States Design Patent**
Lenhart

(10) **Patent No.:** **US D737,068 S**

(45) **Date of Patent:** **** Aug. 25, 2015**

(54) **LOUNGE FURNITURE**

(56) **References Cited**

(71) Applicant: **Krueger International, Inc.**, Green Bay, WI (US)

U.S. PATENT DOCUMENTS

(72) Inventor: **Tad E. Lenhart**, De Pere, WI (US)

D289,831 S *	5/1987	Leib	D6/334
D318,183 S *	7/1991	Fister, Jr.	D6/334
D439,071 S *	3/2001	D'Urso et al.	D6/381
D473,723 S *	4/2003	Pesso	D6/334
D538,054 S *	3/2007	Lissoni	D6/334
D544,233 S *	6/2007	Hutton	D6/378
D564,774 S *	3/2008	Woods et al.	D6/381
D590,179 S *	4/2009	Natuzzi	D6/381
D600,938 S *	9/2009	Natuzzi	D6/381
D604,956 S *	12/2009	Blomstrom et al.	D6/373
D674,210 S *	1/2013	Citterio	D6/381
D677,911 S *	3/2013	Hamilton et al.	D6/334
D731,804 S *	6/2015	Lenhart	D6/373

(73) Assignee: **Krueger International, Inc.**, Green Bay, WI (US)

(**) Term: **14 Years**

(21) Appl. No.: **29/523,255**

(22) Filed: **Apr. 8, 2015**

* cited by examiner

Related U.S. Application Data

(62) Division of application No. 29/454,648, filed on May 13, 2013, now Pat. No. Des. 731,804.

Primary Examiner — Ricky Pham

(74) *Attorney, Agent, or Firm* — Andrus Intellectual Property Law, LLP

(51) **LOC (10) Cl.** **06-01**

(57) **CLAIM**

The ornamental design for lounge furniture, as shown and described.

(52) **U.S. Cl.**

USPC **D6/373**

DESCRIPTION

(58) **Field of Classification Search**

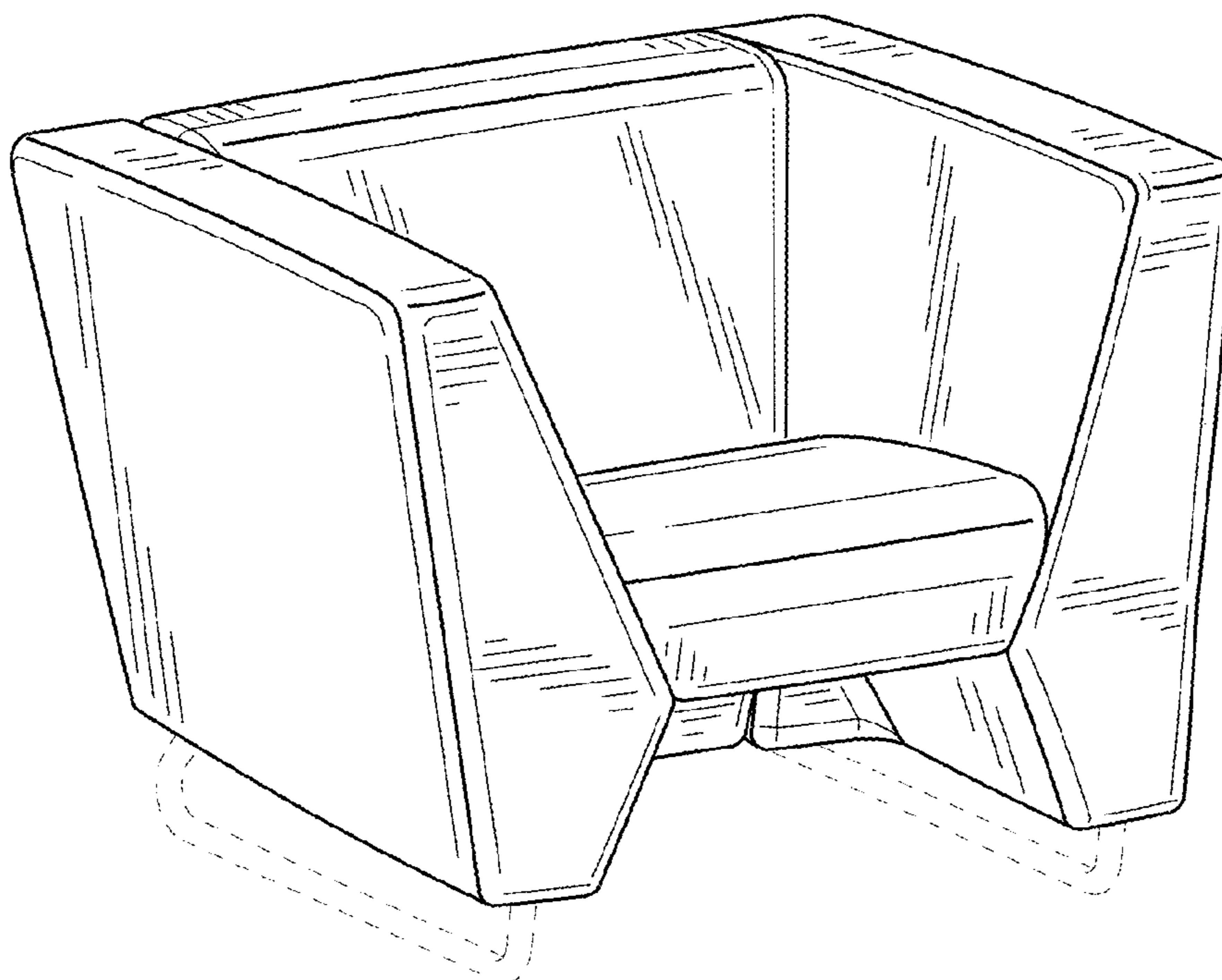
USPC D6/334–336, 360–381, 388, 716, D6/716.1–716.4, 717

CPC A47C 1/00; A47C 4/02; A47C 4/03; A47C 4/04; A47C 7/021; A47C 7/18; A47C 13/005

FIG. 1 is an isometric view of lounge furniture incorporating my new design;
FIG. 2 is a front elevation view thereof;
FIG. 3 is a right side elevation view thereof;
FIG. 4 is a rear elevation view thereof;
FIG. 5 is a top plan view thereof; and,
FIG. 6 is a bottom plan view thereof.
The portions shown in phantom illustrate environment only and form no part of the claimed design.

See application file for complete search history.

1 Claim, 3 Drawing Sheets



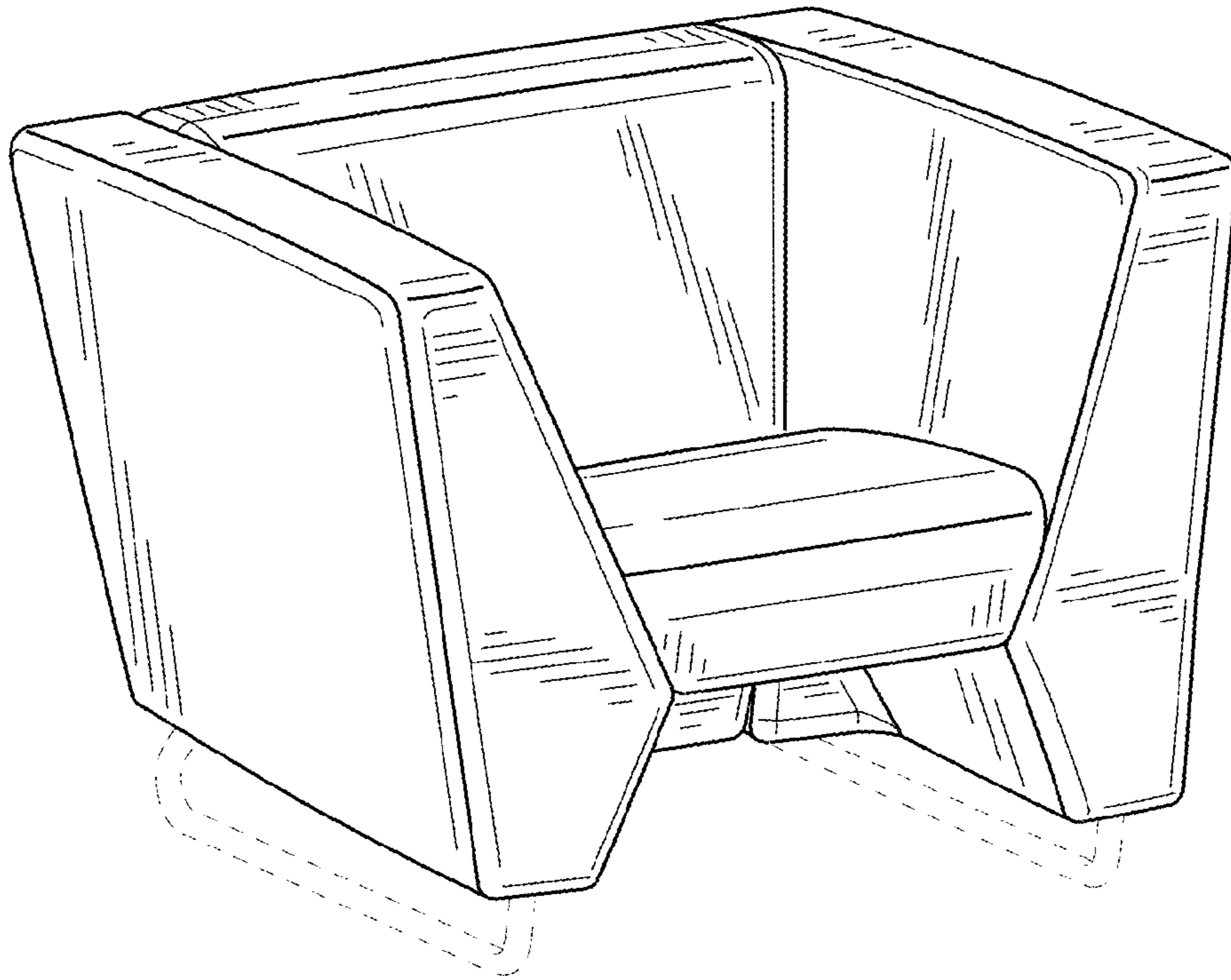


FIG. 1

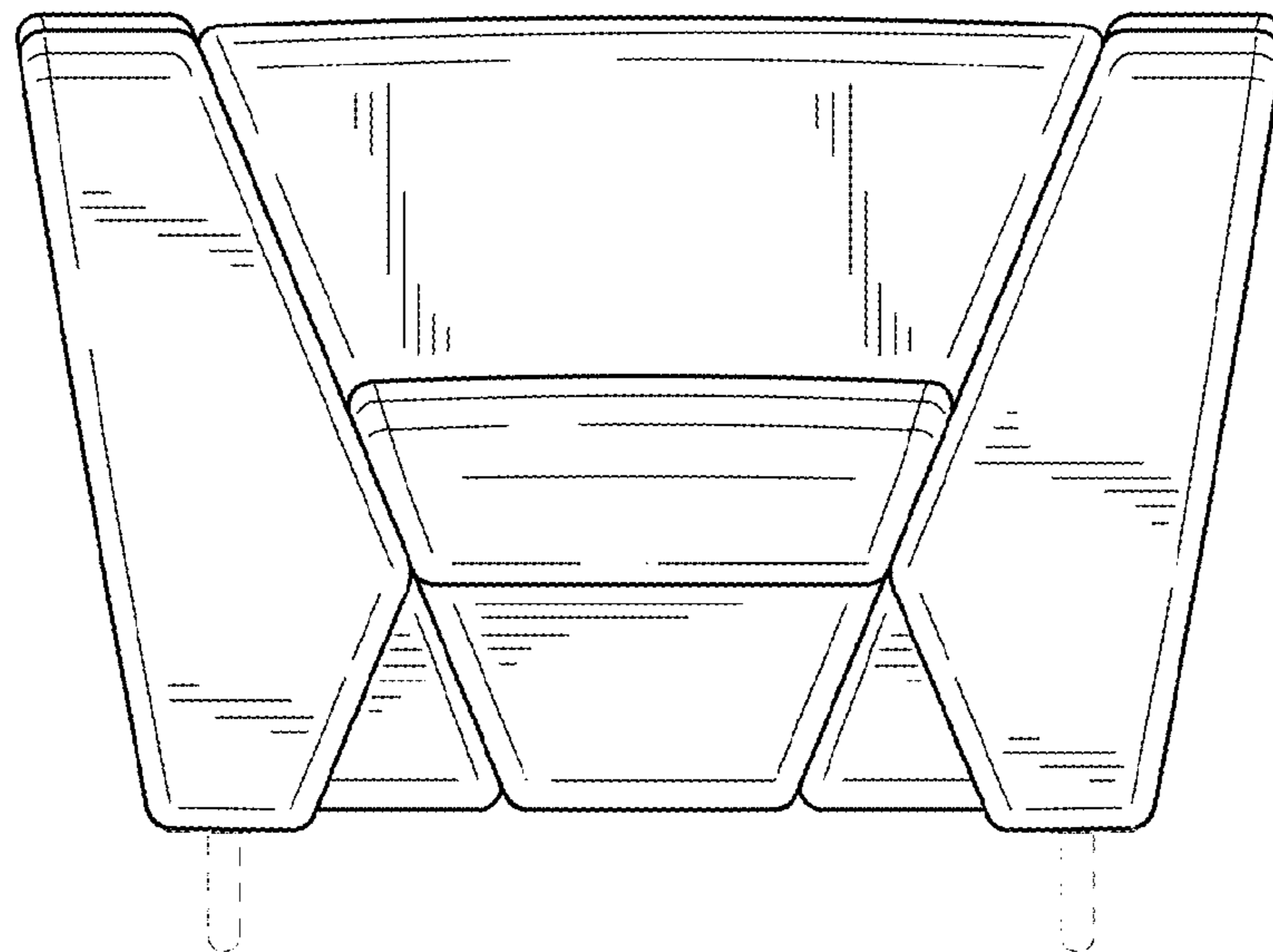


FIG. 2

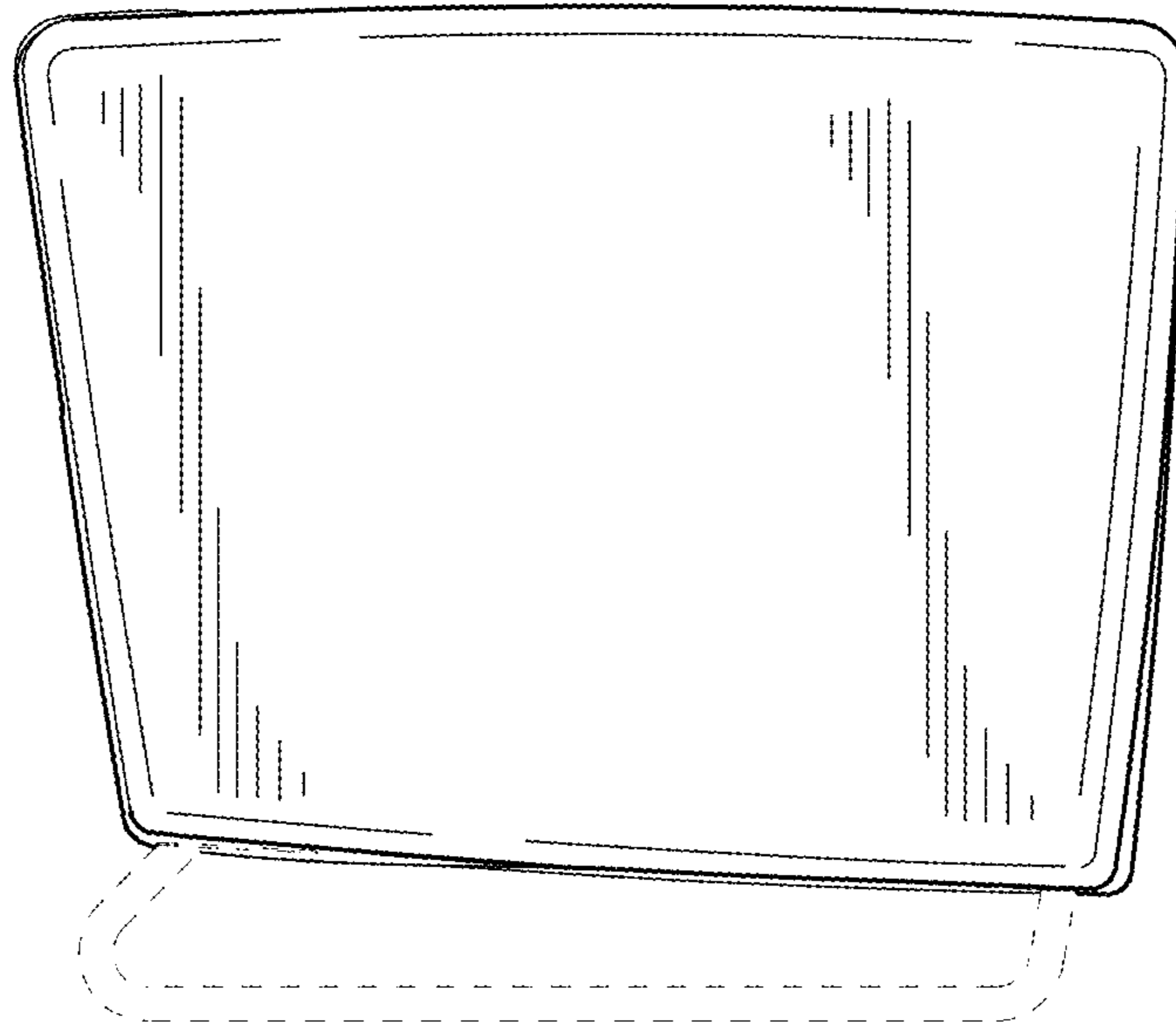


FIG. 3

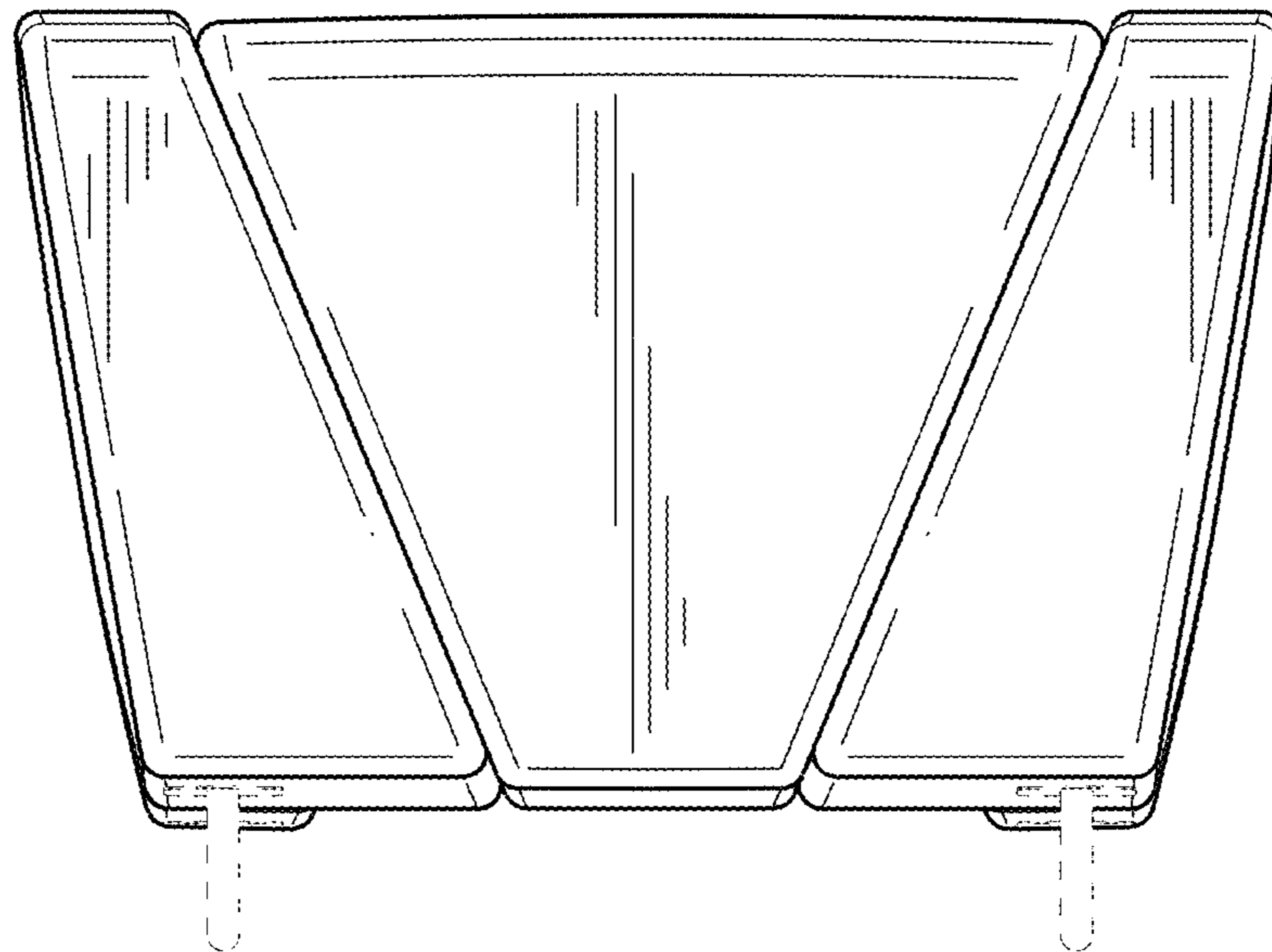


FIG. 4

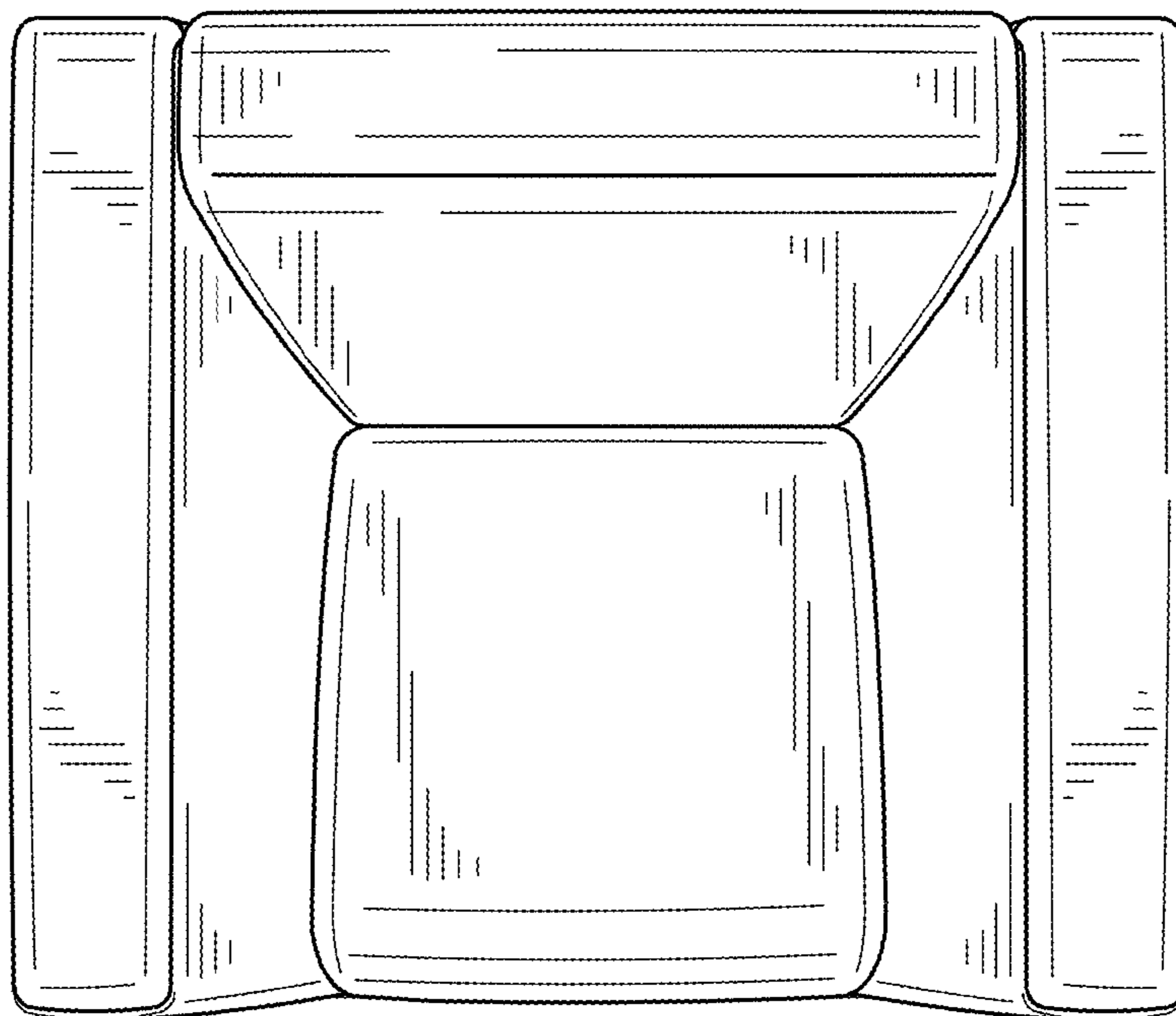


FIG. 5

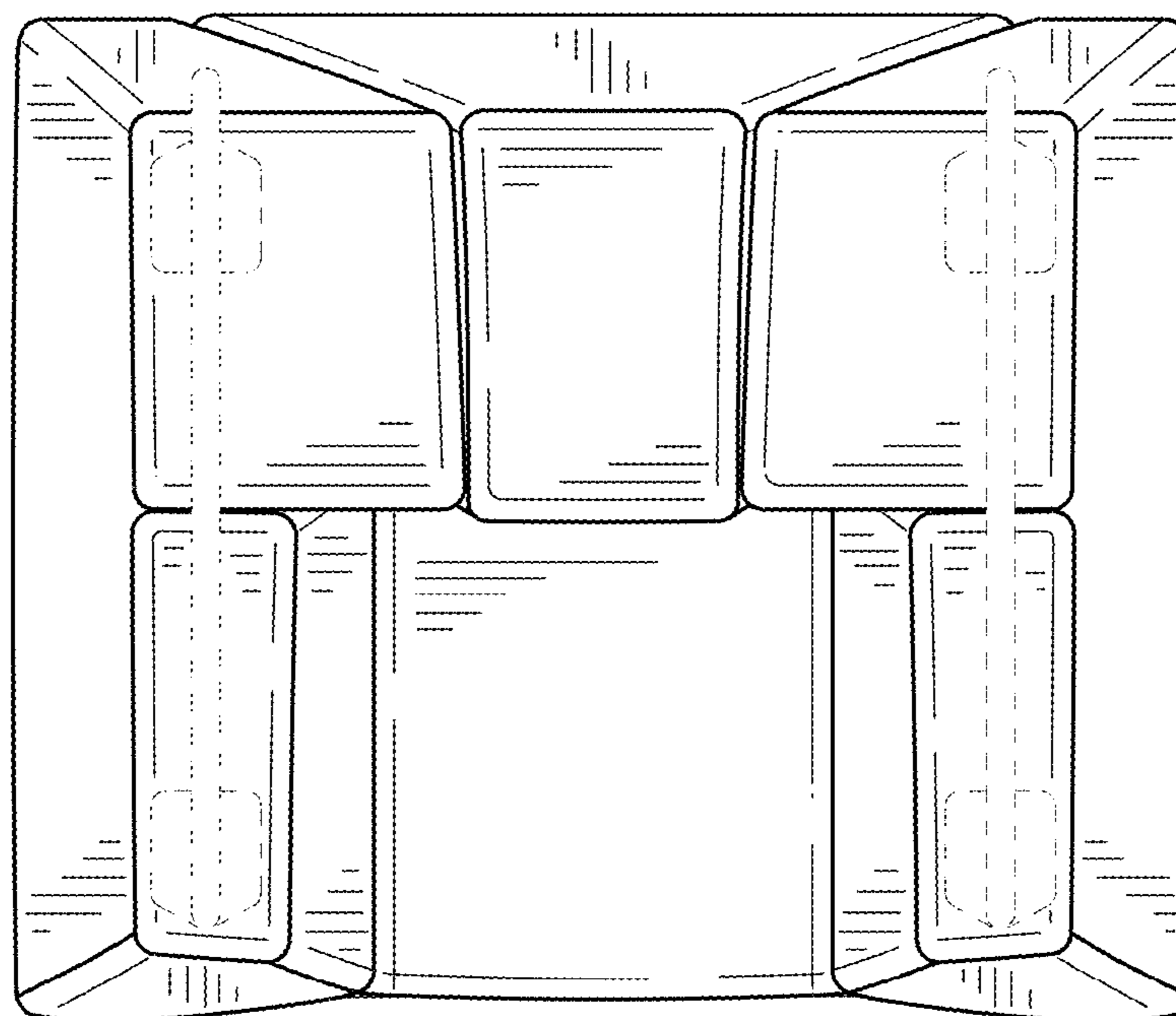


FIG. 6