



US00D737067S

(12) **United States Design Patent**
McGlew

(10) **Patent No.:** **US D737,067 S**

(45) **Date of Patent:** **** Aug. 25, 2015**

(54) **CHAIR**

(71) Applicant: **John Perry McGlew**, Briarcliff Manor,
NY (US)

(72) Inventor: **John Perry McGlew**, Briarcliff Manor,
NY (US)

(**) Term: **14 Years**

(21) Appl. No.: **29/459,405**

(22) Filed: **Jun. 28, 2013**

(51) **LOC (10) Cl.** **06-01**

(52) **U.S. Cl.**
USPC **D6/371**

(58) **Field of Classification Search**
USPC D6/334-336, 360-381, 716, 716.1,
D6/716.4, 717; 297/54, 440.1, 440.13,
297/440.19, 445.1, 446.1, 447.3, 448.1,
297/448.2, 451.1, 451.8, 452.38, 452.48,
297/452.63
CPC A47C 4/03; A47C 4/021; A47C 4/022;
A47C 4/10; A47C 5/125; A47C 7/16
See application file for complete search history.

(56) **References Cited**

U.S. PATENT DOCUMENTS

920,650 A * 5/1909 Remsen et al. 297/54
1,241,907 A * 10/1917 Bernhard 297/54

1,788,832 A * 1/1931 Hamburg 297/54
D245,739 S * 9/1977 Cook, Jr. D6/371
4,235,473 A * 11/1980 Aginar 297/440.19
D271,065 S * 10/1983 Thompson D6/379
D333,738 S * 3/1993 Gehry D6/369
D334,488 S * 4/1993 Gehry D6/369
D341,263 S * 11/1993 Gehry D6/370
D344,191 S * 2/1994 Gehry D6/369
D498,068 S * 11/2004 Kuo D6/368
6,997,514 B2 * 2/2006 Tarantino et al. 297/451.8
D721,898 S * 2/2015 Palumbo D6/370

* cited by examiner

Primary Examiner — Ricky Pham

(74) *Attorney, Agent, or Firm* — McGlew and Tuttle, P.C.

(57) **CLAIM**

The ornamental design for a chair, as shown and described.

DESCRIPTION

FIG. 1 is a front non expanded view of my chair;
FIG. 2 is a right side non expanded view thereof;
FIG. 3 is a left side non expanded view thereof;
FIG. 4 is a top non expanded view thereof;
FIG. 5 is a partial rear non expanded view thereof;
FIG. 6 is a top right perspective non expanded view thereof;
FIG. 7 is a front expanded view thereof;
FIG. 8 is a top expanded view thereof;
FIG. 9 is a rear expanded view thereof; and,
FIG. 10 is a top right perspective expanded view thereof.

1 Claim, 10 Drawing Sheets

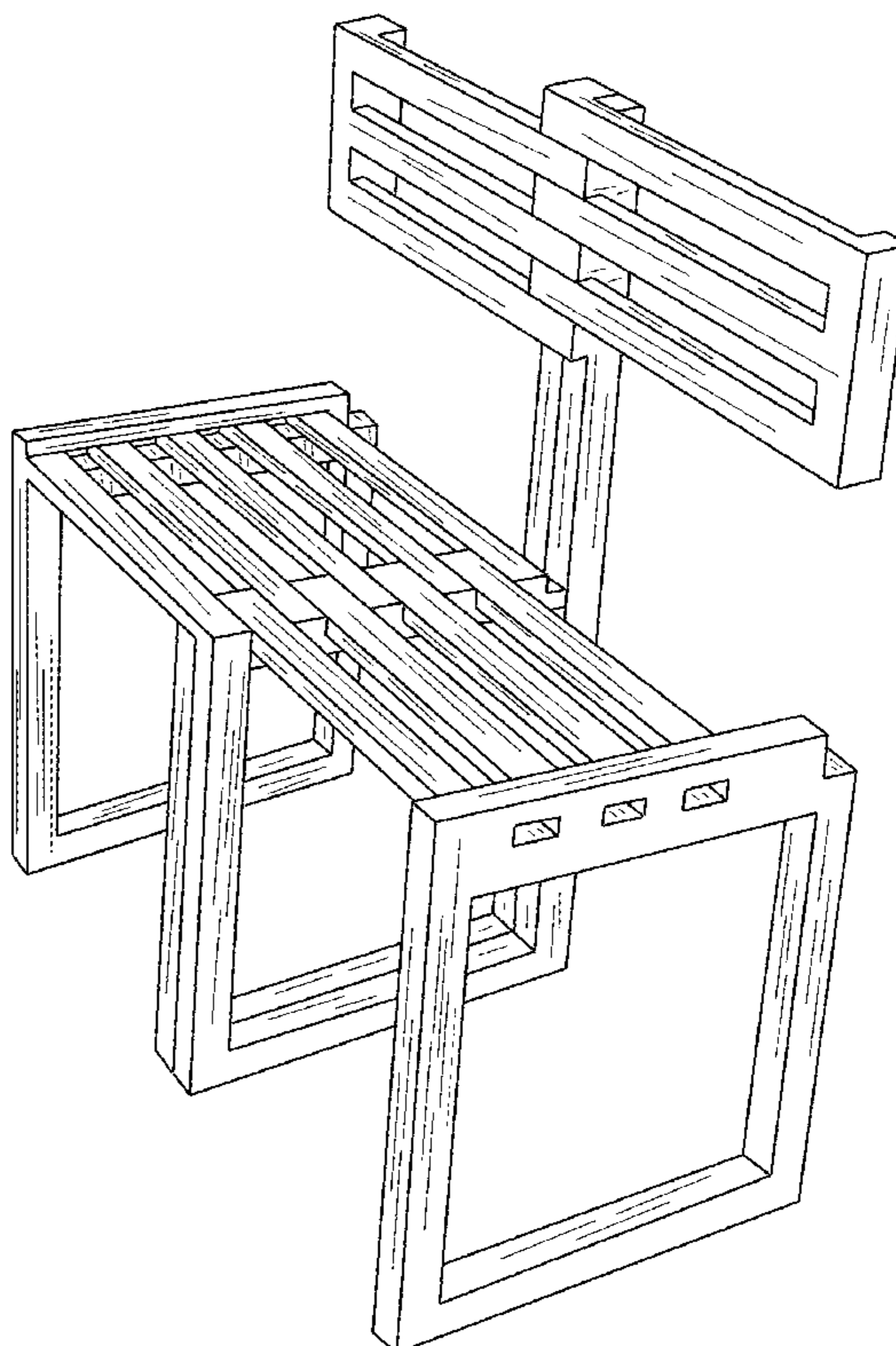
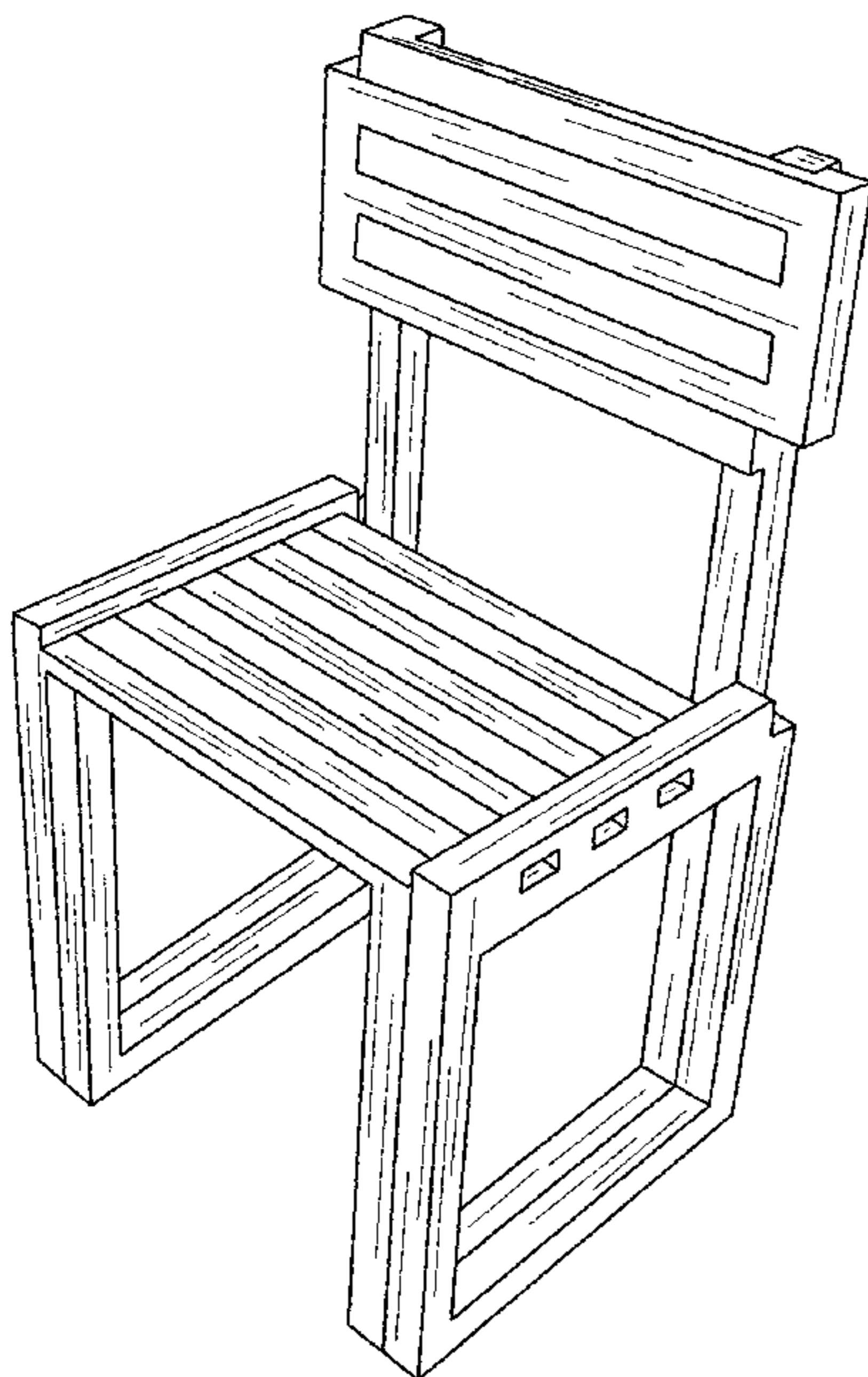


Fig. 1

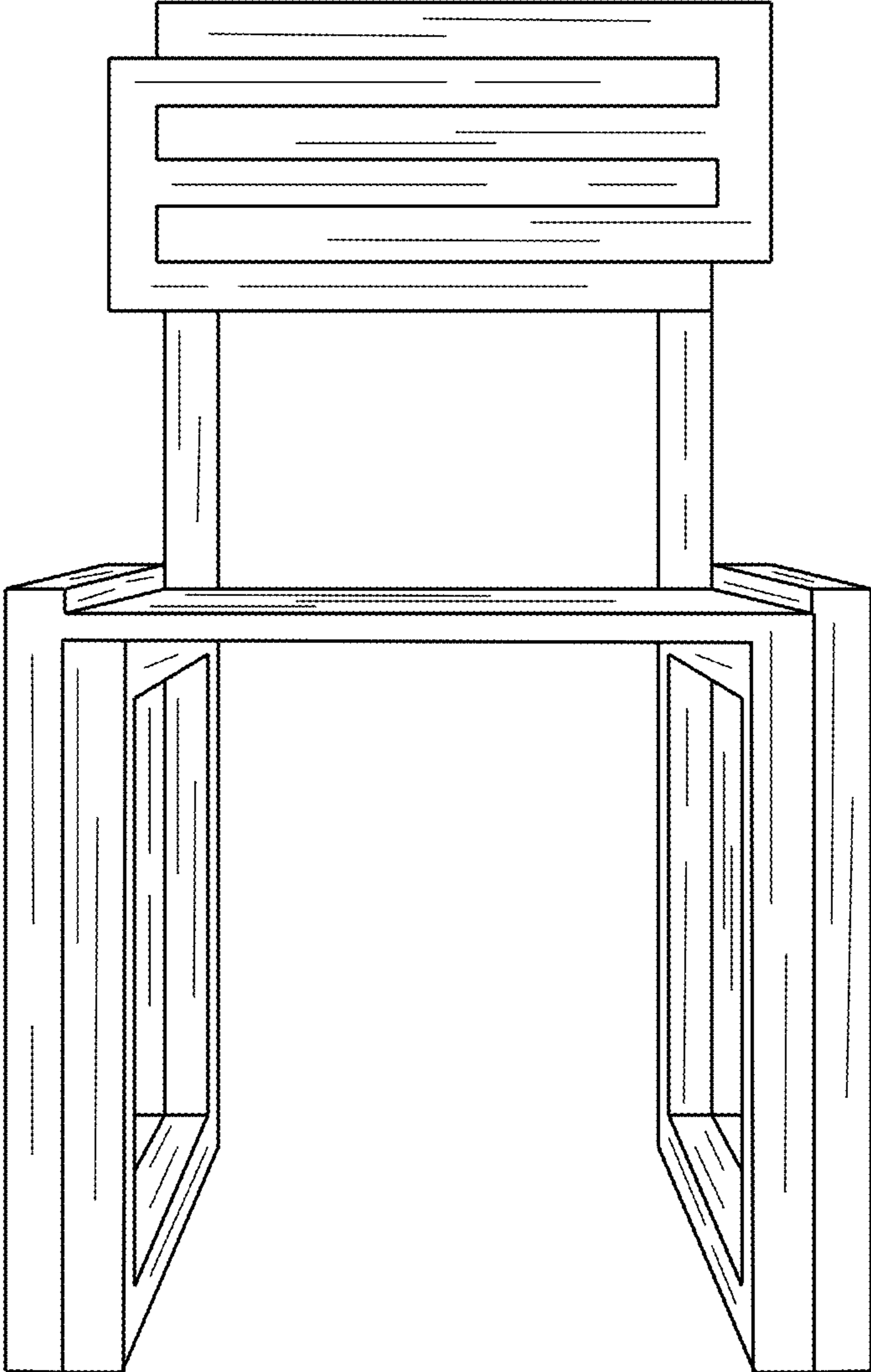
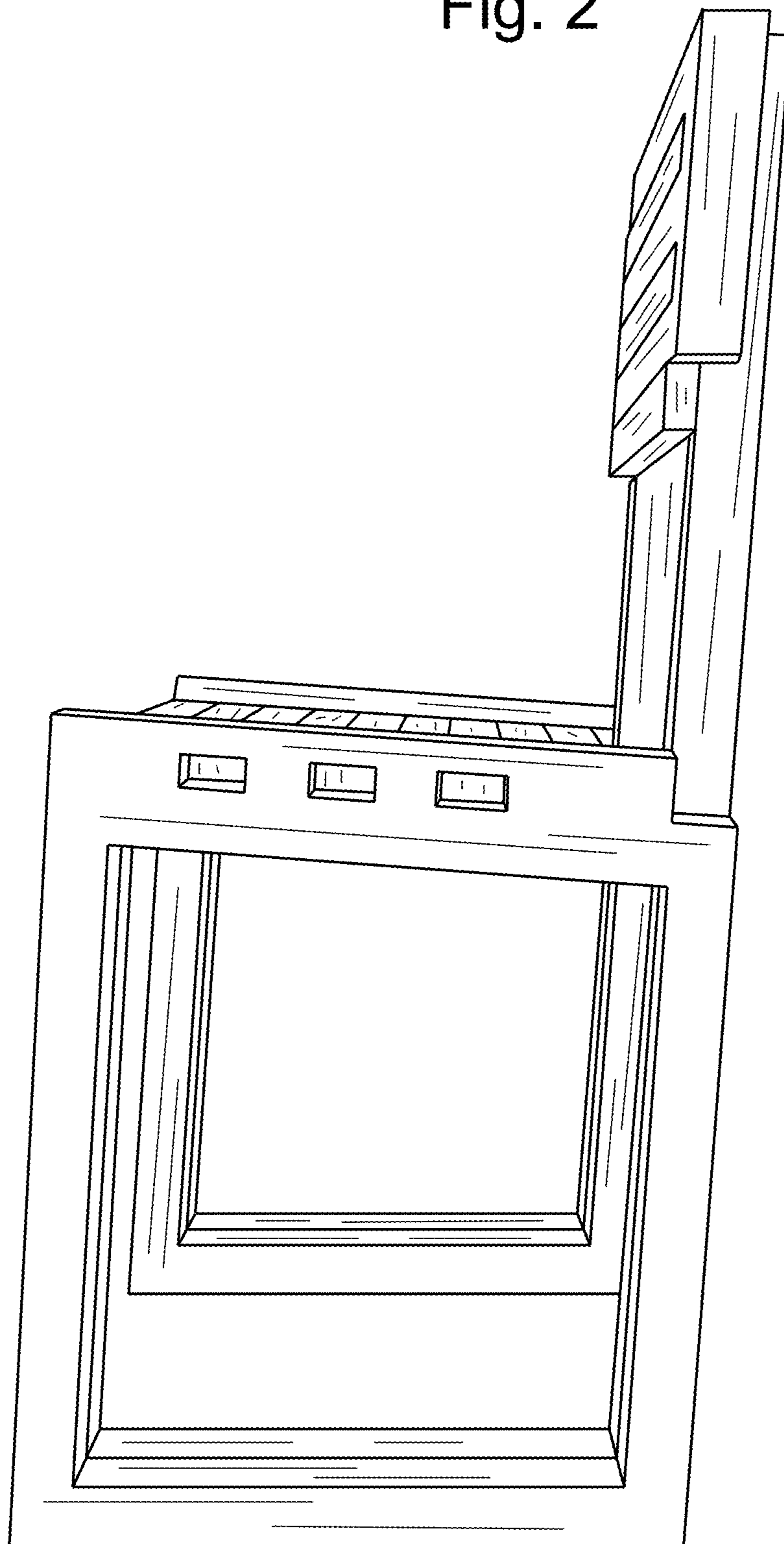


Fig. 2



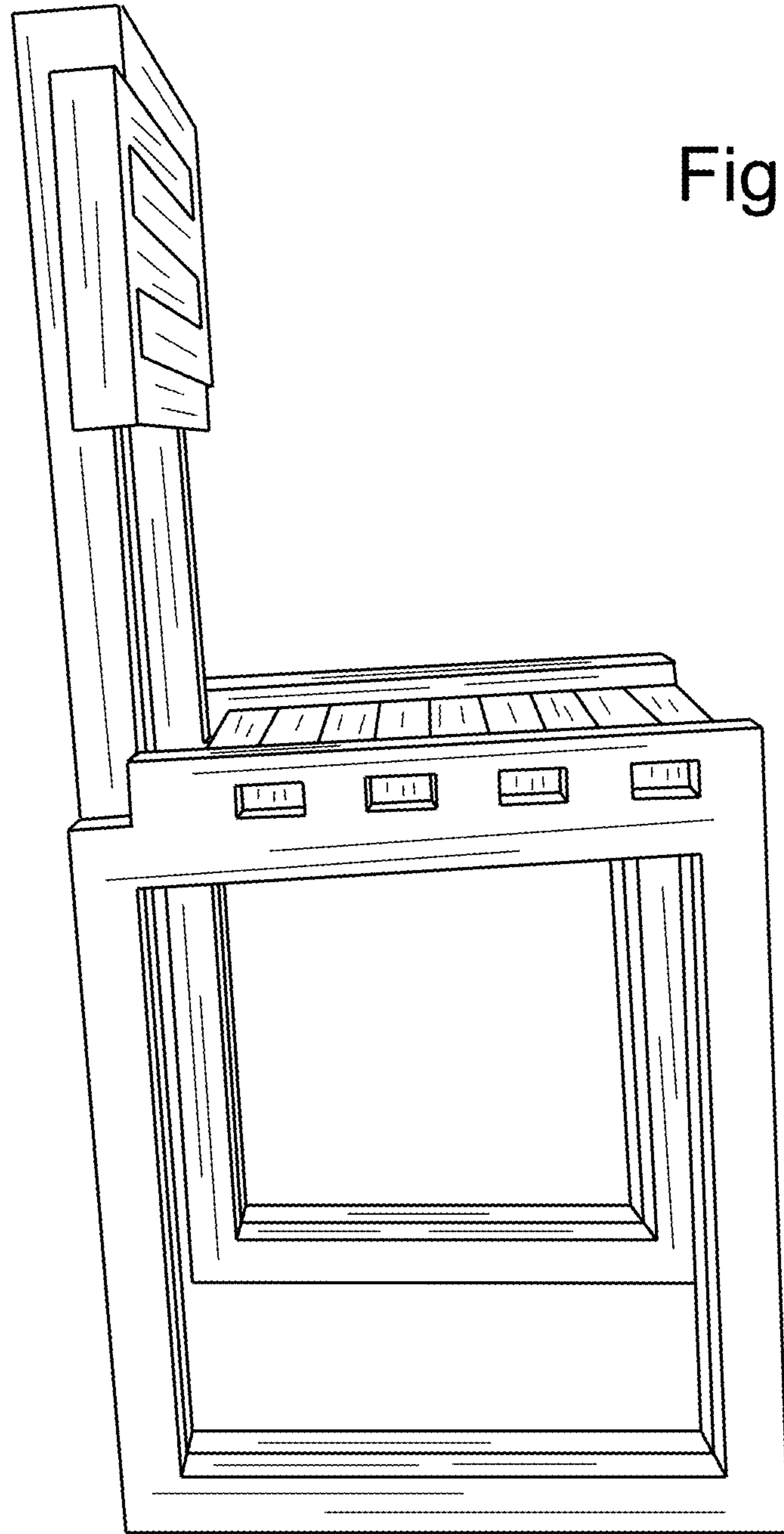
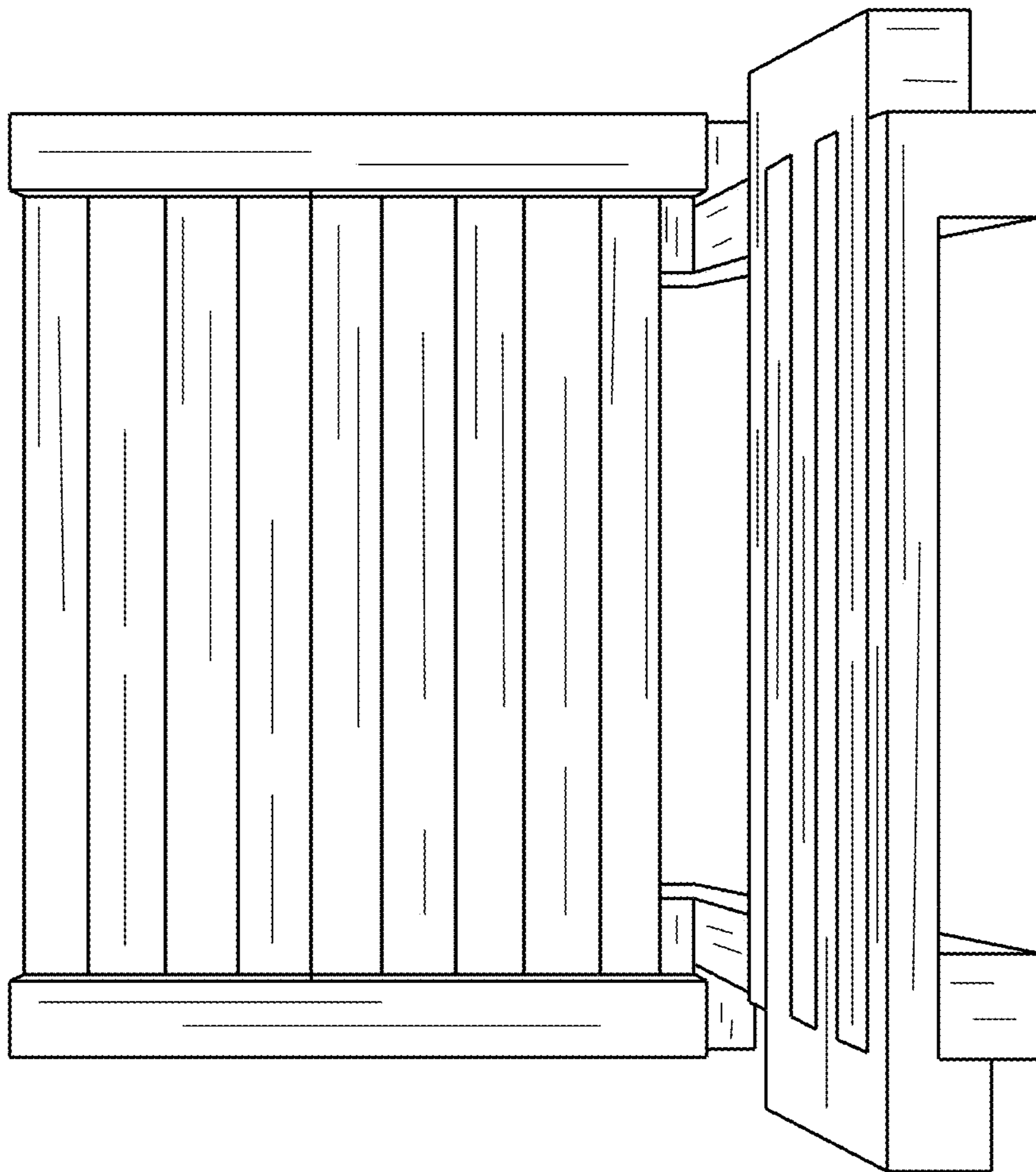


Fig. 3

Fig. 4



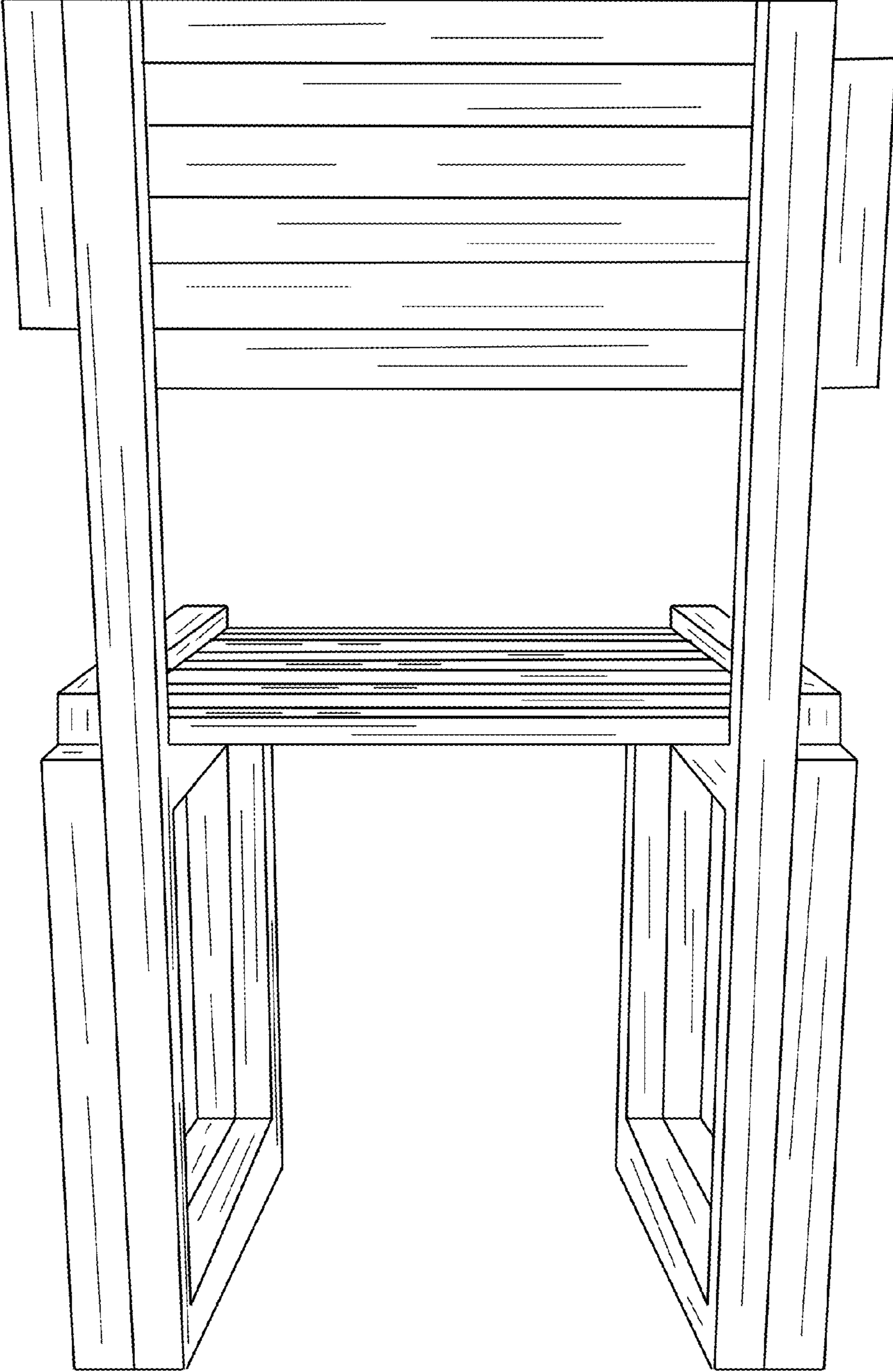
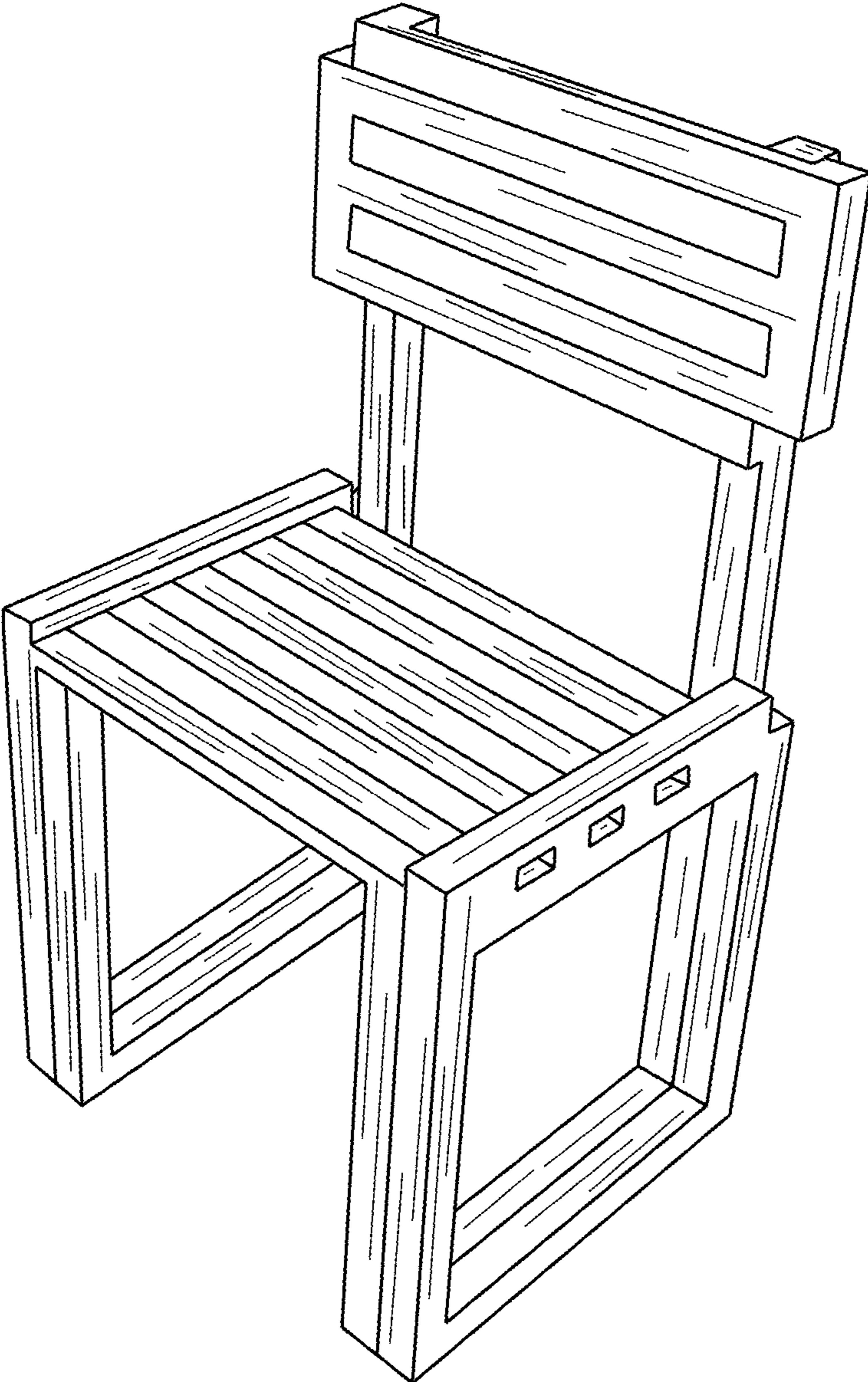


Fig. 5

Fig. 6



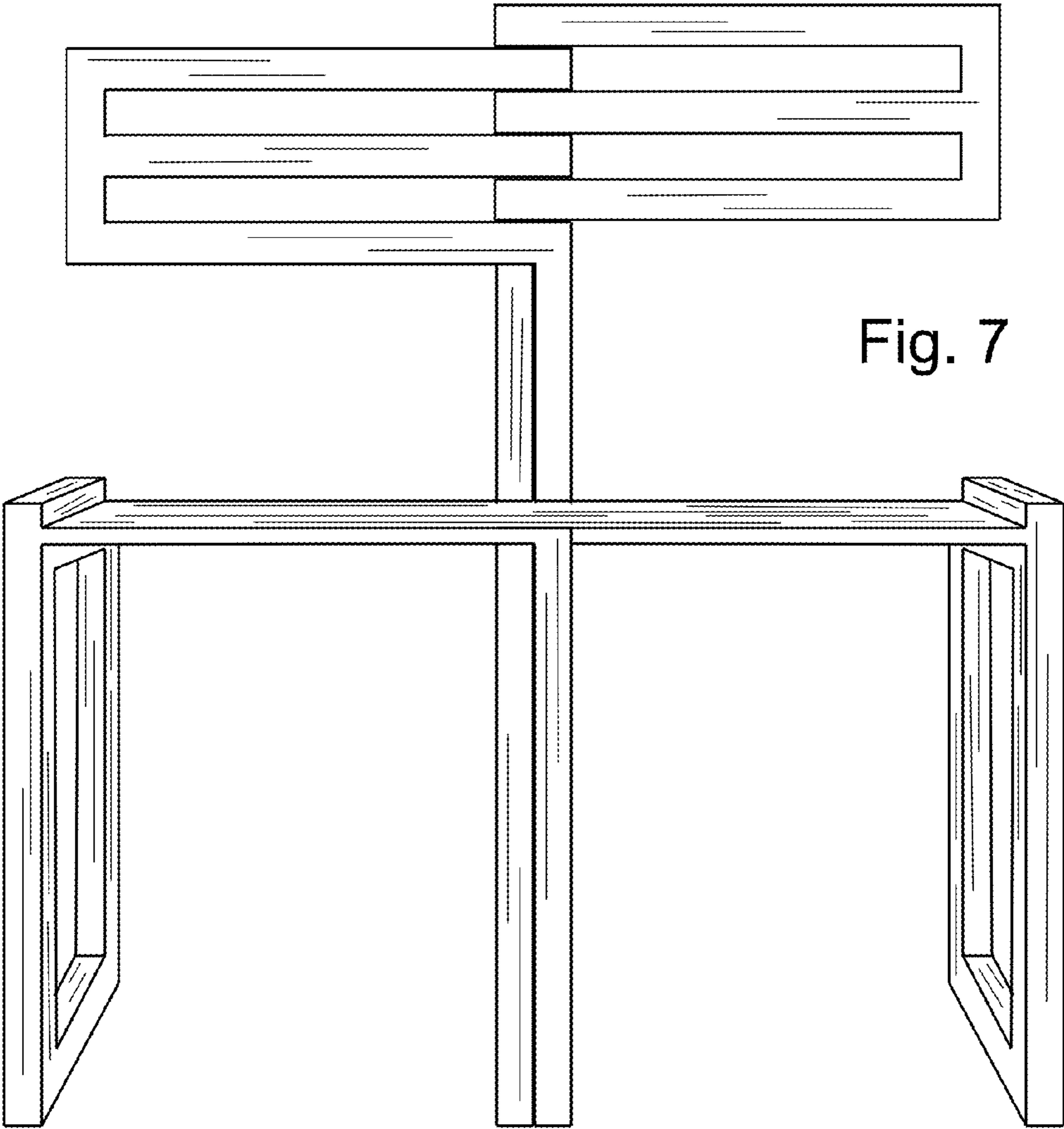
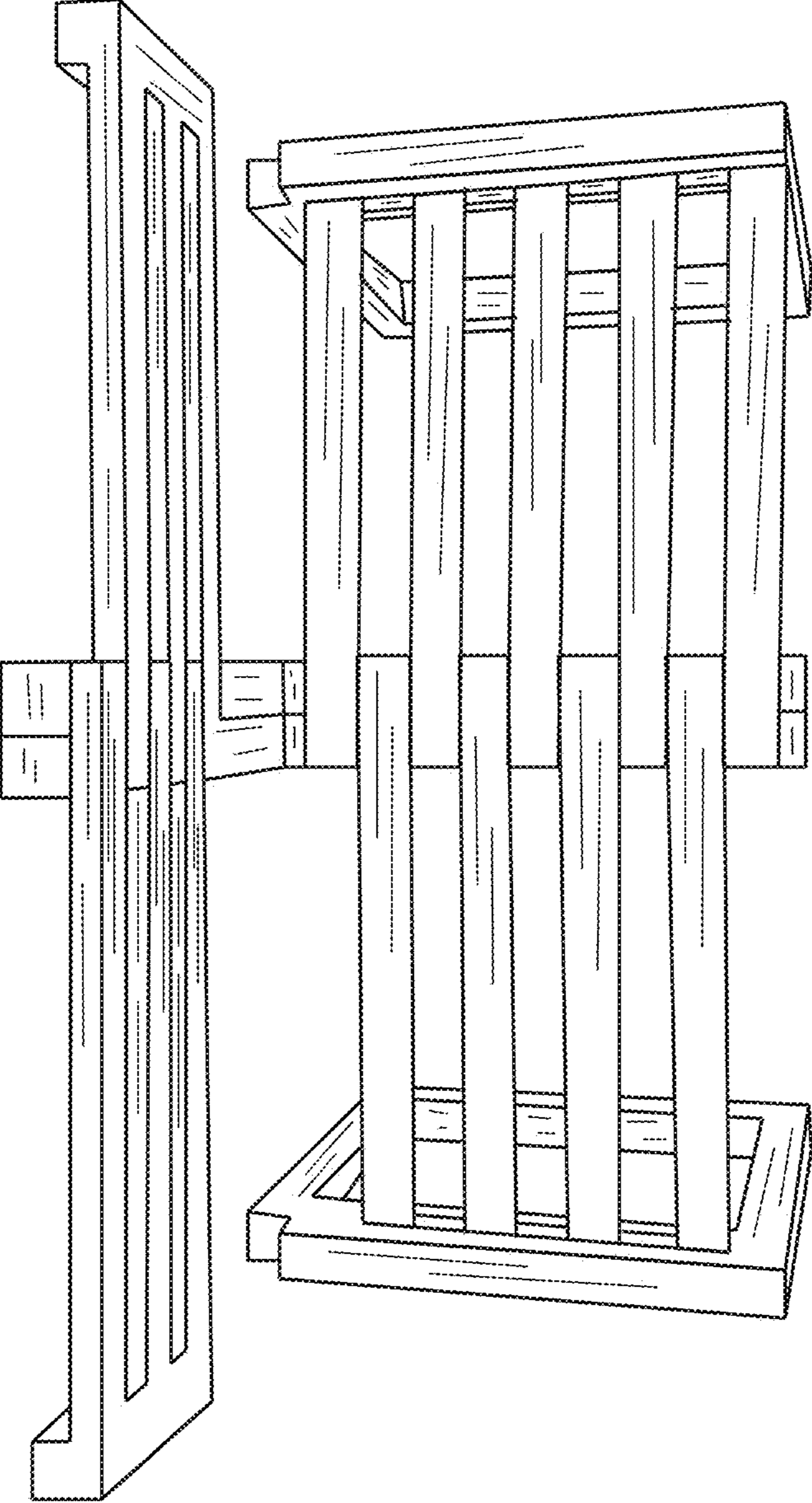


Fig. 7

Fig. 8



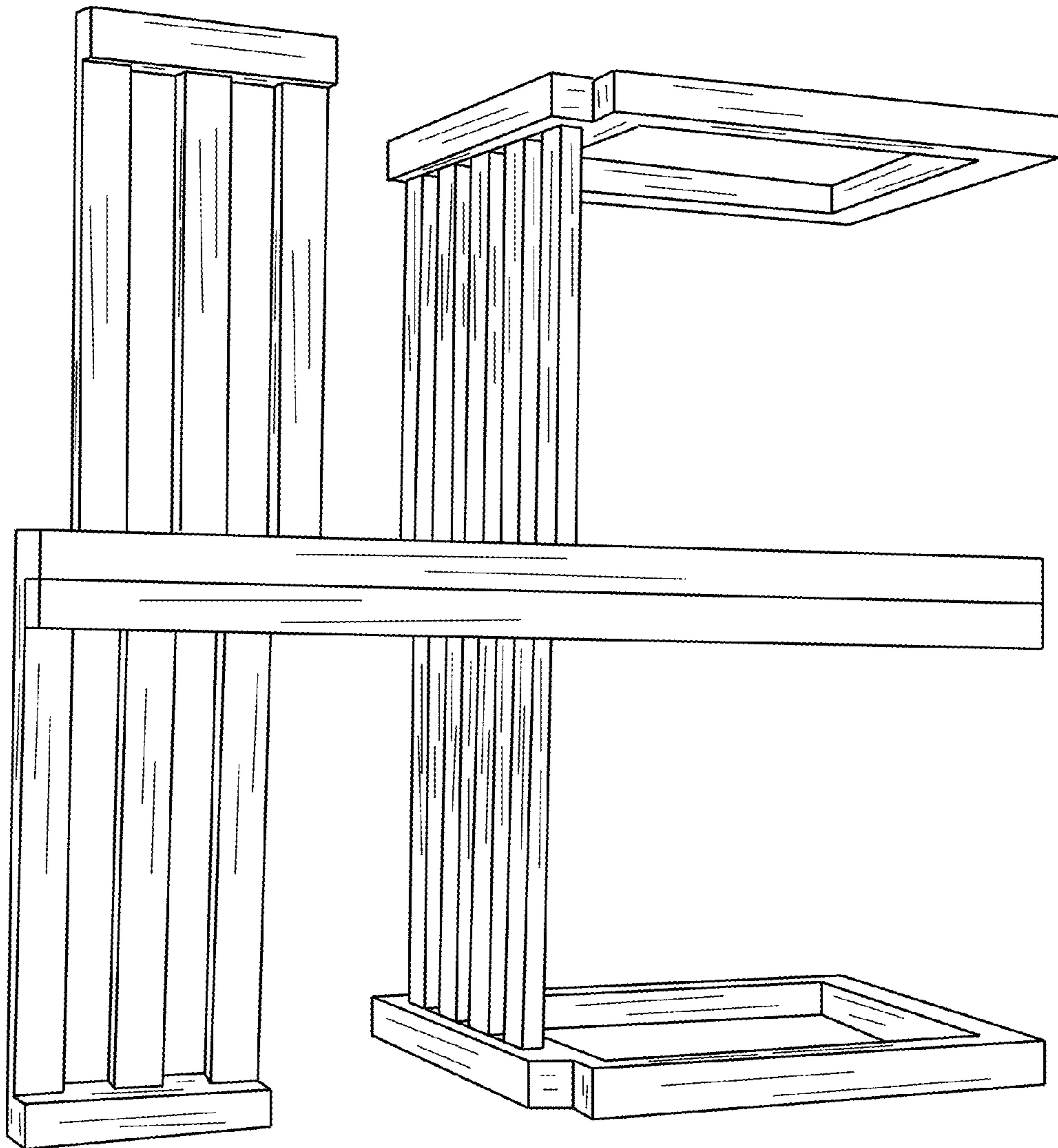


Fig. 9

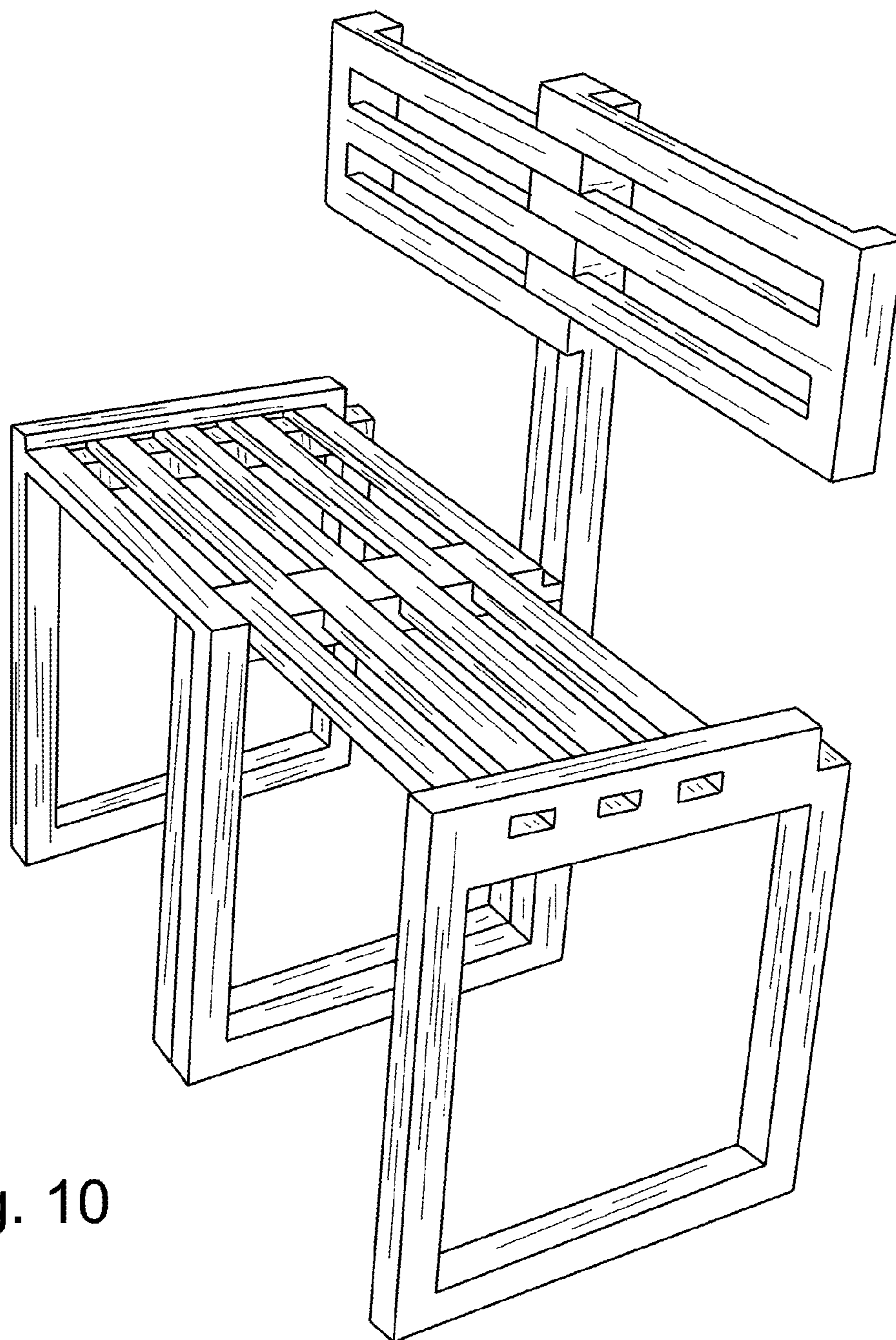


Fig. 10