



US00D737065S

(12) **United States Design Patent**  
**O'Reilly**

(10) **Patent No.:** **US D737,065 S**

(45) **Date of Patent:** **\*\* Aug. 25, 2015**

(54) **POCKET CHAIR**

(71) Applicant: **Diane O'Reilly**, Muskego, WI (US)

(72) Inventor: **Diane O'Reilly**, Muskego, WI (US)

(\*\*) Term: **14 Years**

(21) Appl. No.: **29/469,297**

(22) Filed: **Oct. 9, 2013**

(51) **LOC (10) Cl.** ..... **06-01**

(52) **U.S. Cl.**

USPC ..... **D6/368**

(58) **Field of Classification Search**

USPC ..... D3/216, 274, 276; D6/334-336,  
D6/360-381, 716, 716.1-716.4; D11/200;  
108/115, 116, 117, 133-135; 224/153,  
224/155; 297/16.1, 16.2, 17, 45, 46, 55-59,  
297/129, 195.1, 230.13, 230.14, 350, 351,  
297/440.11, 440.12, 452.12-452.13  
CPC ..... A45C 9/00; A45F 3/04; A45F 4/02;  
A47C 1/16; A47C 1/146; A47C 4/00; A47C  
4/28; A47C 4/30; A47C 4/38; A47C 4/42;  
A47C 4/48; A47C 4/52; A47C 4/283; A47C  
4/286; A47C 5/005; A47C 7/16; A47C 7/282;  
A47C 9/10; F16M 11/38

See application file for complete search history.

(56) **References Cited**

**U.S. PATENT DOCUMENTS**

2,567,595 A \* 9/1951 Bryant ..... 108/116  
5,533,654 A \* 7/1996 Holty et al. .... 224/155

5,957,349 A \* 9/1999 Krulik ..... 224/155  
6,145,716 A \* 11/2000 Caicedo ..... 224/155  
D459,883 S \* 7/2002 Worrell et al. .... D3/274  
D485,432 S \* 1/2004 Desrochers ..... D3/216  
6,824,209 B1 \* 11/2004 Redzisz et al. .... 297/45  
D548,996 S \* 8/2007 Cox ..... D6/368  
D570,122 S \* 6/2008 Wehner ..... D6/335  
7,604,288 B1 \* 10/2009 Verhulst ..... 297/129  
D634,926 S \* 3/2011 Drollinger ..... D3/216  
D681,503 S \* 5/2013 McDaniel ..... D11/200  
8,926,008 B1 \* 1/2015 Al-Hasan ..... 297/17

\* cited by examiner

*Primary Examiner* — Ricky Pham

(74) *Attorney, Agent, or Firm* — Rathe Lindenbaum LLP

(57) **CLAIM**

I claim the ornamental design for a pocket chair, as shown and described.

**DESCRIPTION**

FIG. 1 is a side view of the pocket chair in an in-use on a person while sitting.

FIG. 2 is an isometric view of the pocket chair of FIG. 1 as viewed from the rear in a flat position.

FIG. 3 is a rear plan view of the pocket chair of FIG. 2.

FIG. 4 is a top plan view of the pocket chair of FIG. 2.

FIG. 5 is a right plan view of the pocket chair of FIG. 2.

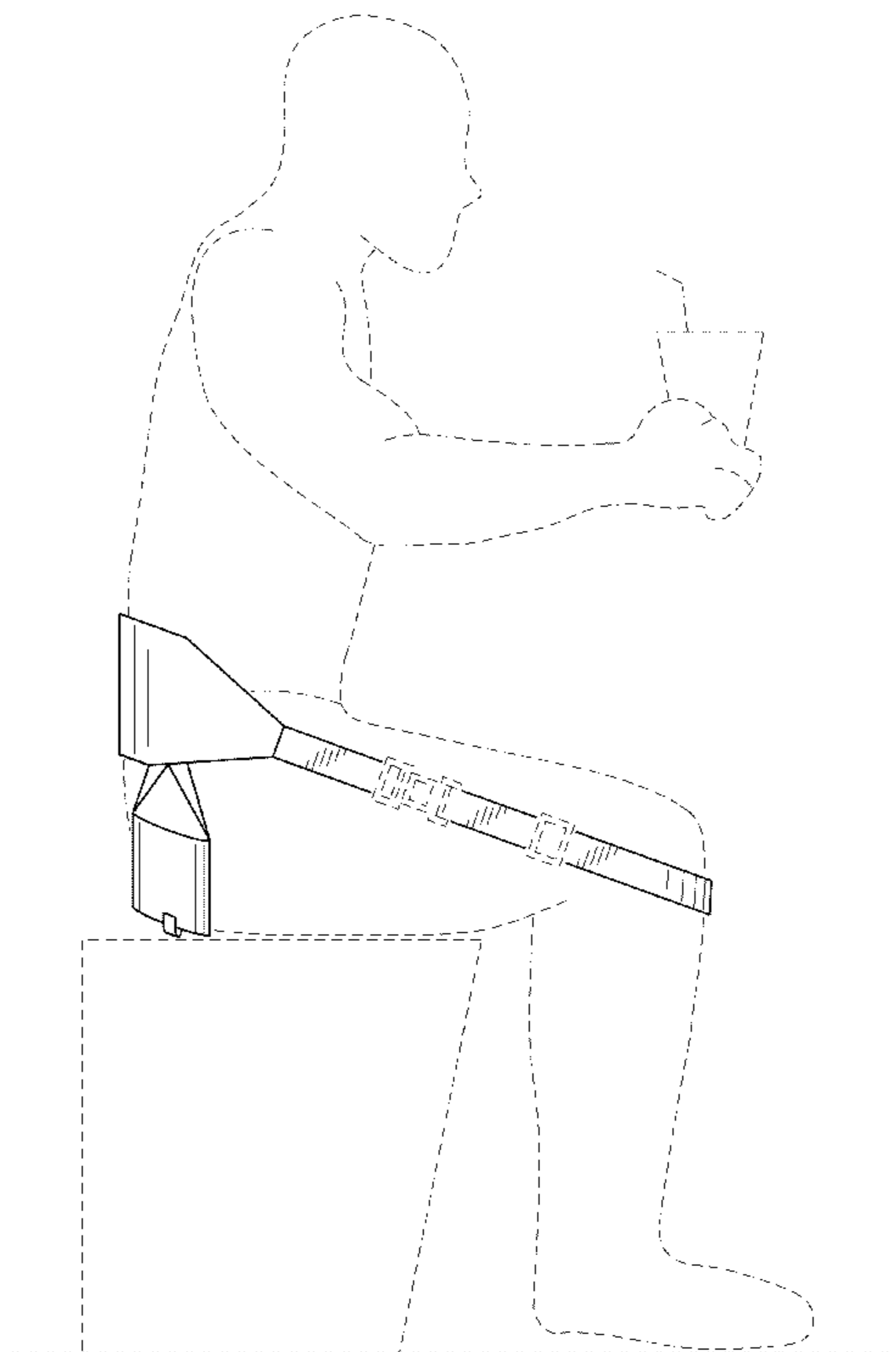
FIG. 6 is a left plan view of the pocket chair of FIG. 2.

FIG. 7 is a front plan view of the pocket chair of FIG. 2; and,

FIG. 8 is a bottom plan view of the pocket chair of FIG. 2.

The broken lines shown in the drawings are for illustrative purposes only and form no part of the claimed design.

**1 Claim, 4 Drawing Sheets**



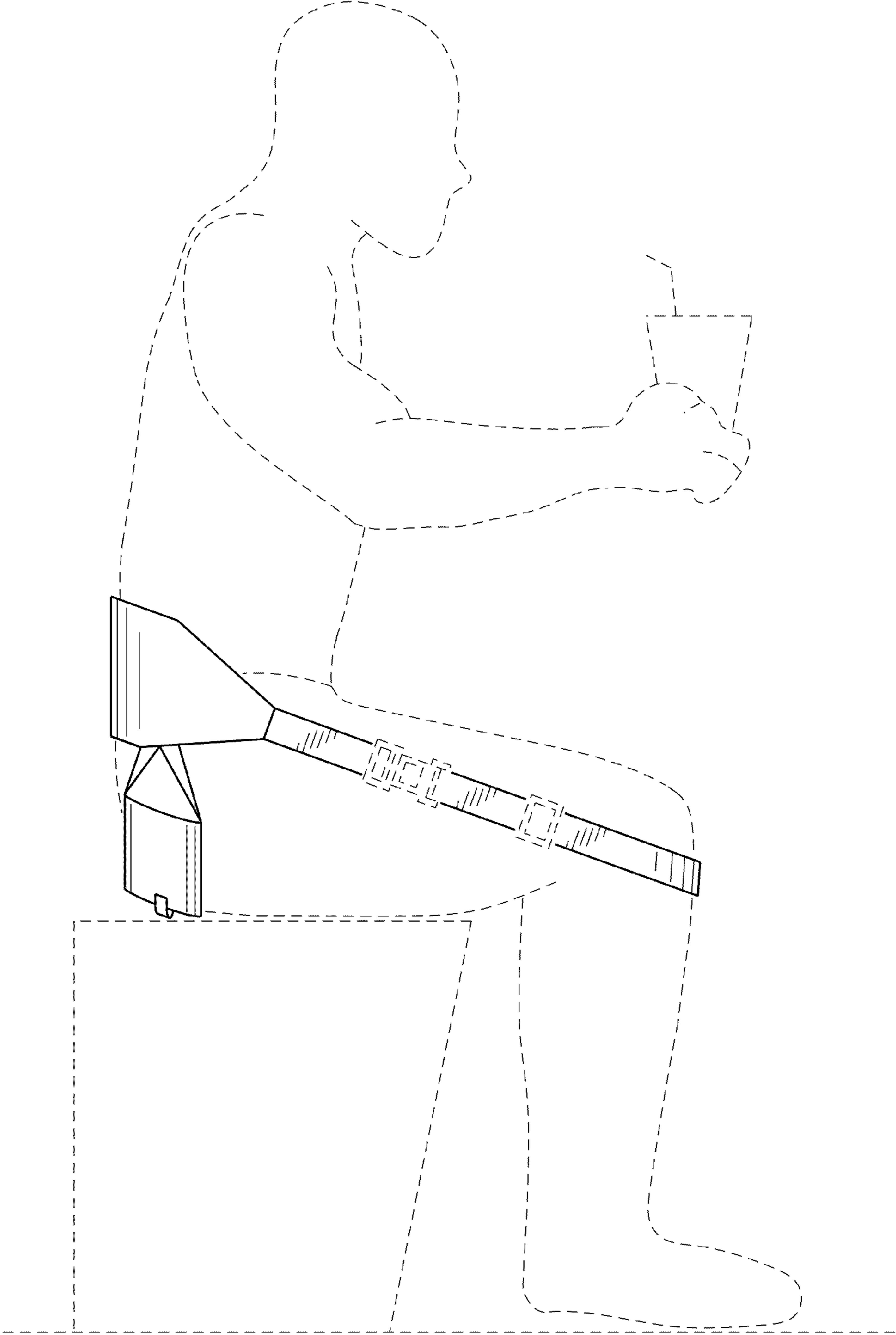


FIG. 1

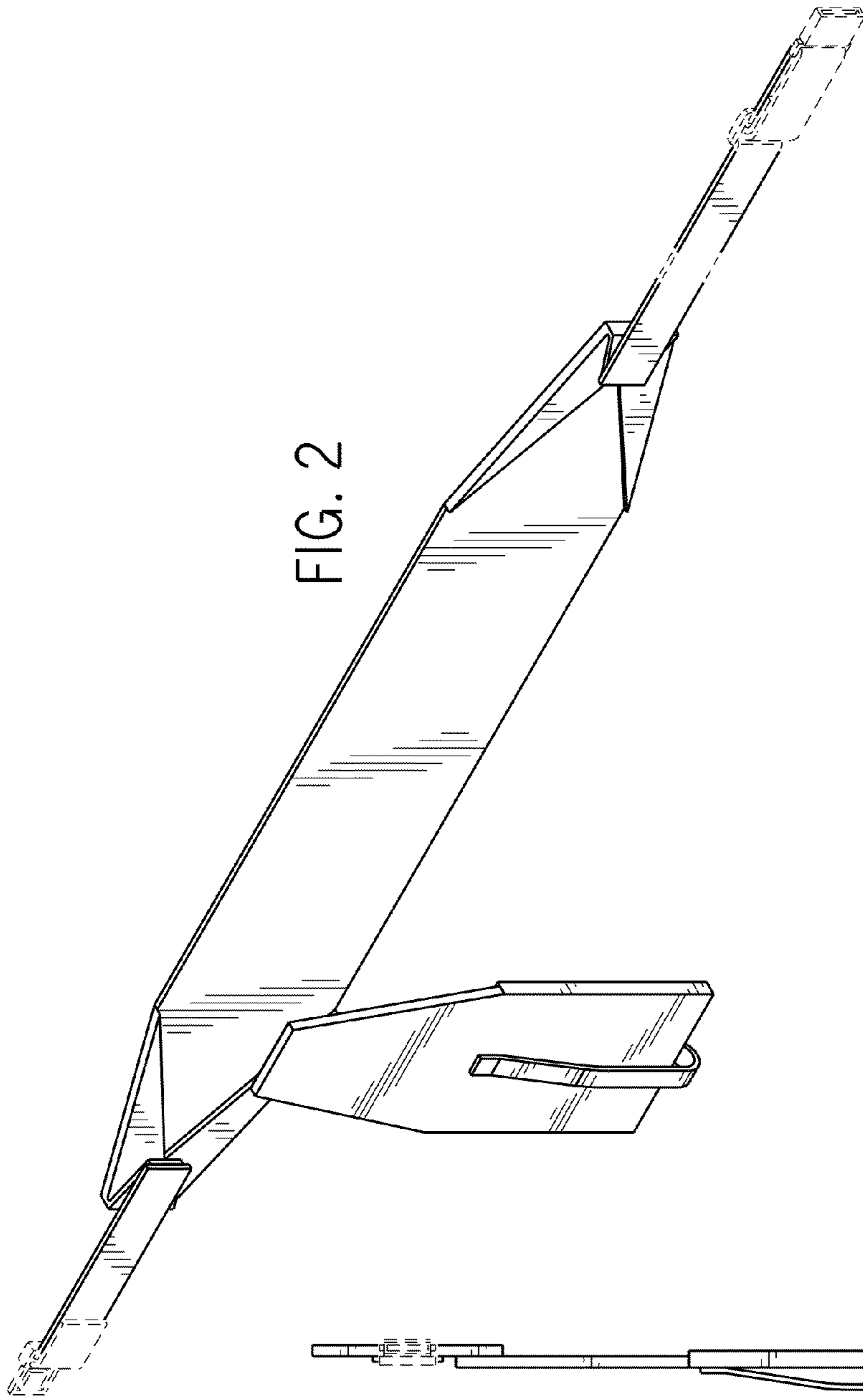


FIG. 2



FIG. 5



FIG. 6

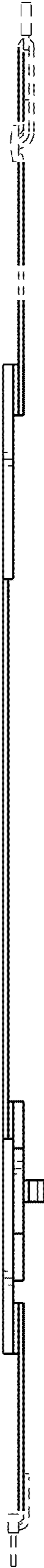


FIG. 4

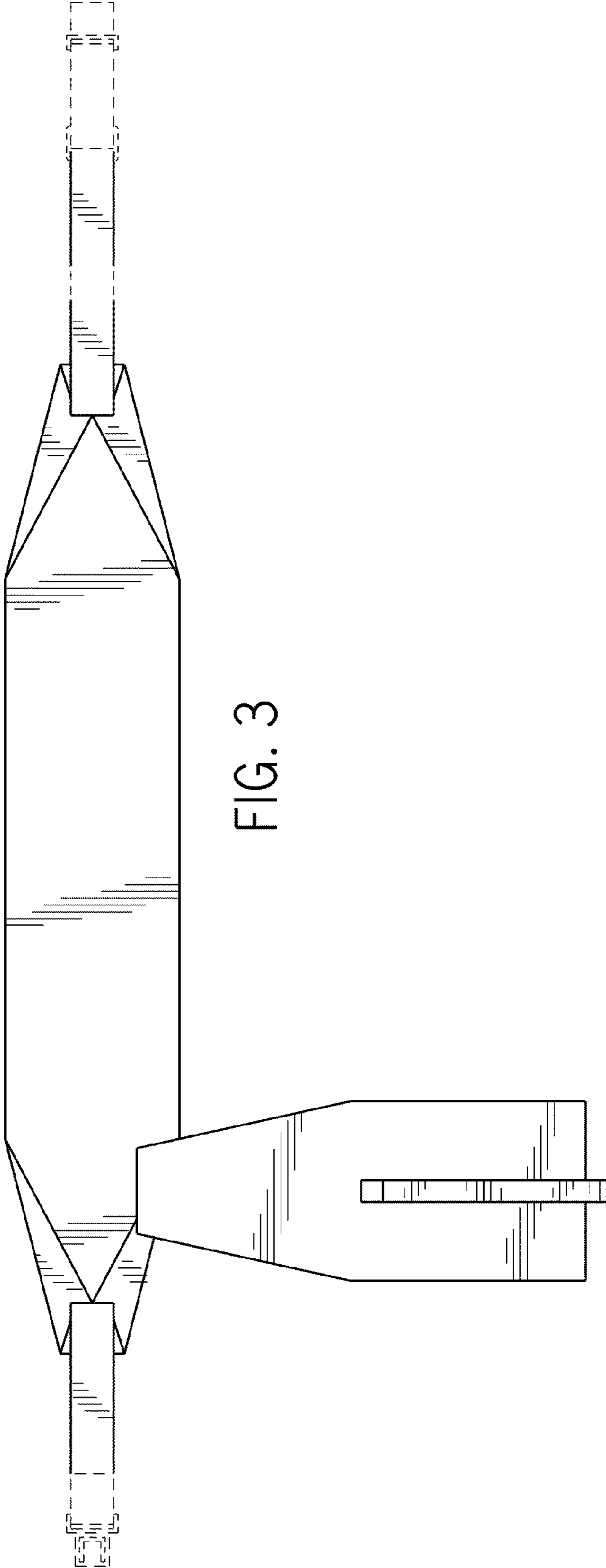


FIG. 3



FIG. 8

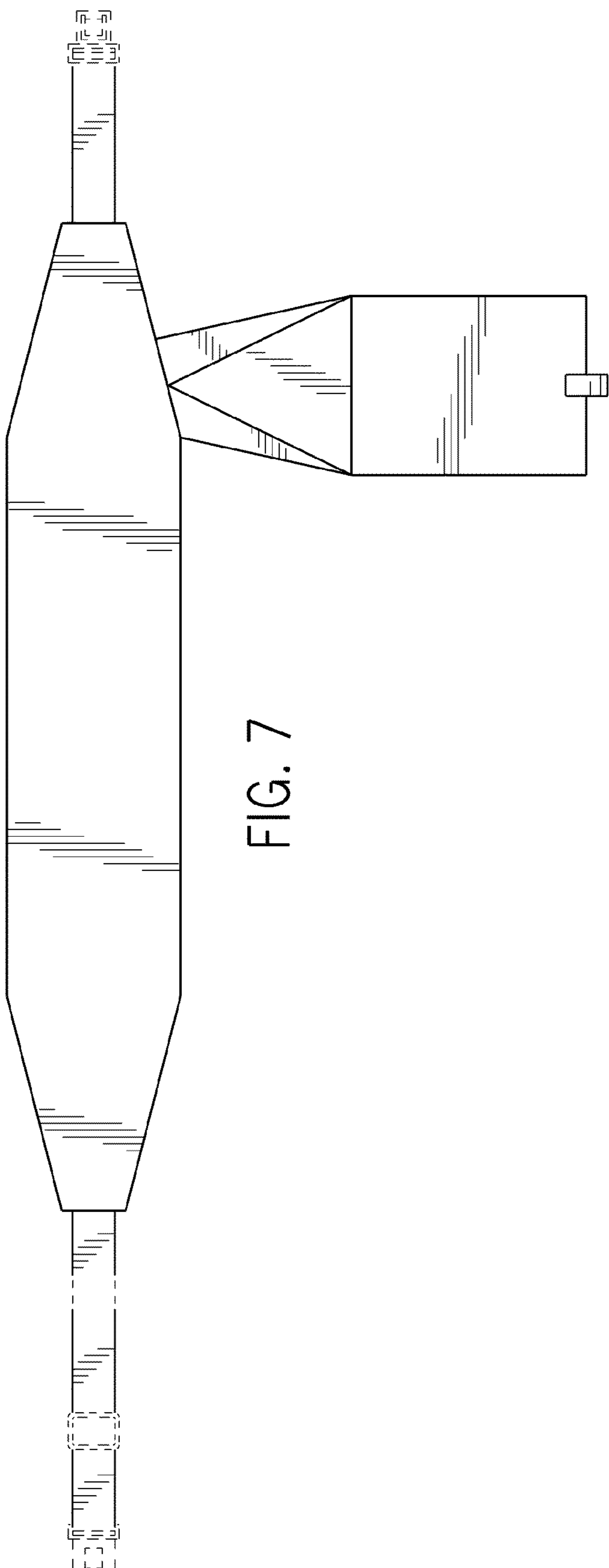


FIG. 7