



US00D737064S

(12) **United States Design Patent**
Ooki

(10) **Patent No.:** **US D737,064 S**

(45) **Date of Patent:** **** Aug. 25, 2015**

(54) **CHAIR**

(71) Applicant: **Kokuyo Furniture Co., Ltd.**, Osaka-shi,
Osaka (JP)

(72) Inventor: **Kazutaka Ooki**, Osaka (JP)

(73) Assignee: **Kokuyo Furniture Co., Ltd.**, Osaka-shi,
Osaka (JP)

(**) Term: **14 Years**

(21) Appl. No.: **29/490,633**

(22) Filed: **May 12, 2014**

(30) **Foreign Application Priority Data**

Nov. 12, 2013 (JP) 2013-026458

(51) **LOC (10) Cl.** **06-01**

(52) **U.S. Cl.**
USPC **D6/366**

(58) **Field of Classification Search**
USPC D6/334-336, 338, 364, 365, 366, 379,
D6/380, 716, 716.1, 716.2, 716.4
CPC A47C 7/38; A47C 7/54; A47C 7/022;
A47C 7/40; A47C 7/46; A47C 7/282; A47C
7/18

See application file for complete search history.

(56) **References Cited**

U.S. PATENT DOCUMENTS

D541,062 S *	4/2007	Su	D6/366
7,396,079 B2 *	7/2008	Heidmann et al.	A47C 7/46
D638,635 S *	5/2011	Sander et al.	D6/366
D652,647 S *	1/2012	Schaack	D6/366
D653,045 S *	1/2012	Schaack	D6/366
D665,590 S *	8/2012	Wagner	D6/366
D688,055 S *	8/2013	Baldanzi et al.	D6/366
D691,407 S *	10/2013	Nakamura	D6/716.4
D696,886 S *	1/2014	Nakamura	D6/716.4

* cited by examiner

Primary Examiner — Mimoso De

(74) *Attorney, Agent, or Firm* — Banner & Witcoff, Ltd.

(57) **CLAIM**

The ornamental design for a chair, as shown and described.

DESCRIPTION

FIG. 1 is a rear perspective view of a chair showing my new design;
FIG. 2 is a front view thereof;
FIG. 3 is a rear view thereof;
FIG. 4 is a left side view thereof;
FIG. 5 is a right side view thereof;
FIG. 6 is a top view thereof;
FIG. 7 is a bottom view thereof; and,
FIG. 8 is an enlarged end view of a portion encircled in FIG. 5 taken along the line 8-8 in FIG. 2.

1 Claim, 8 Drawing Sheets

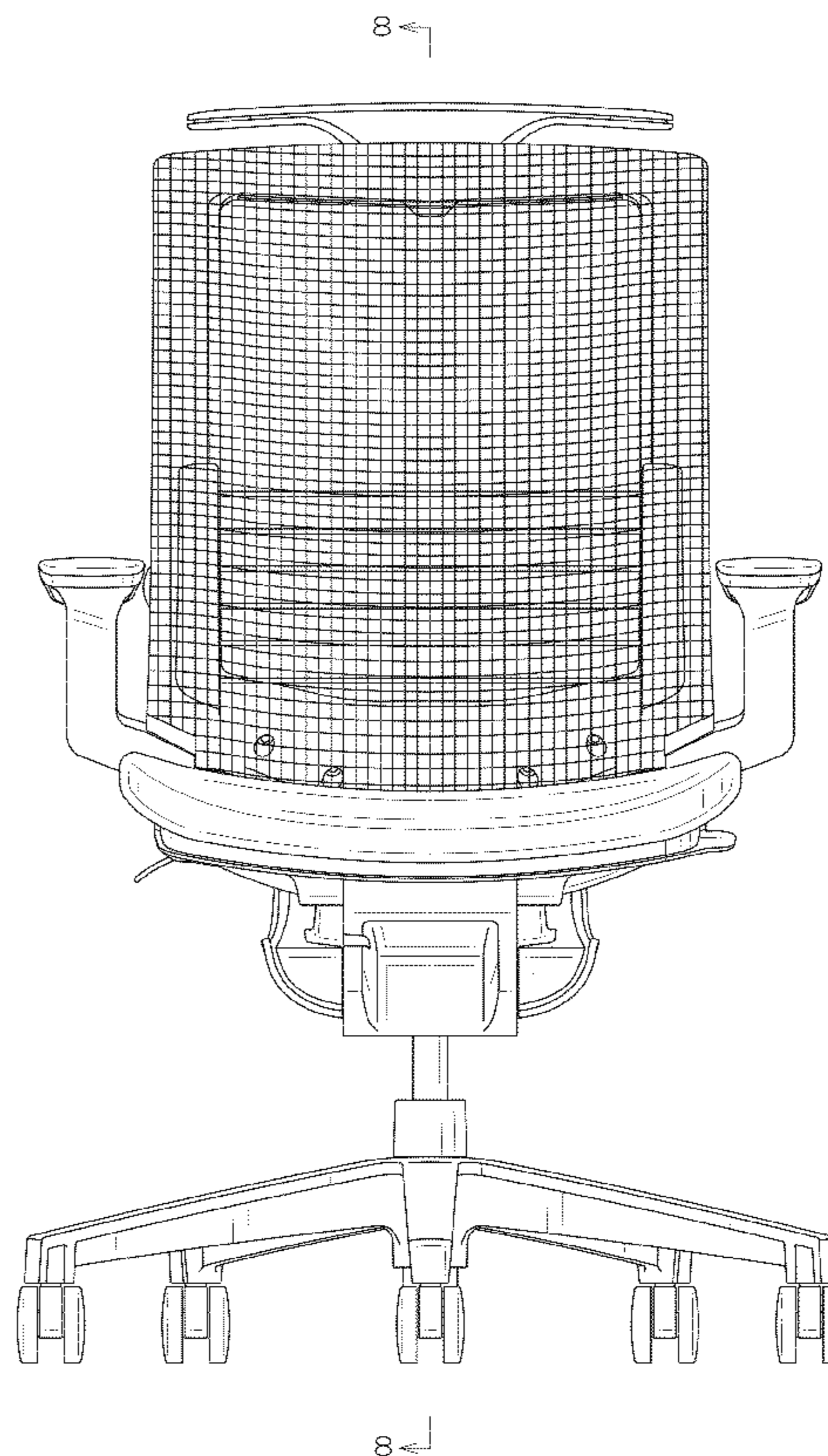
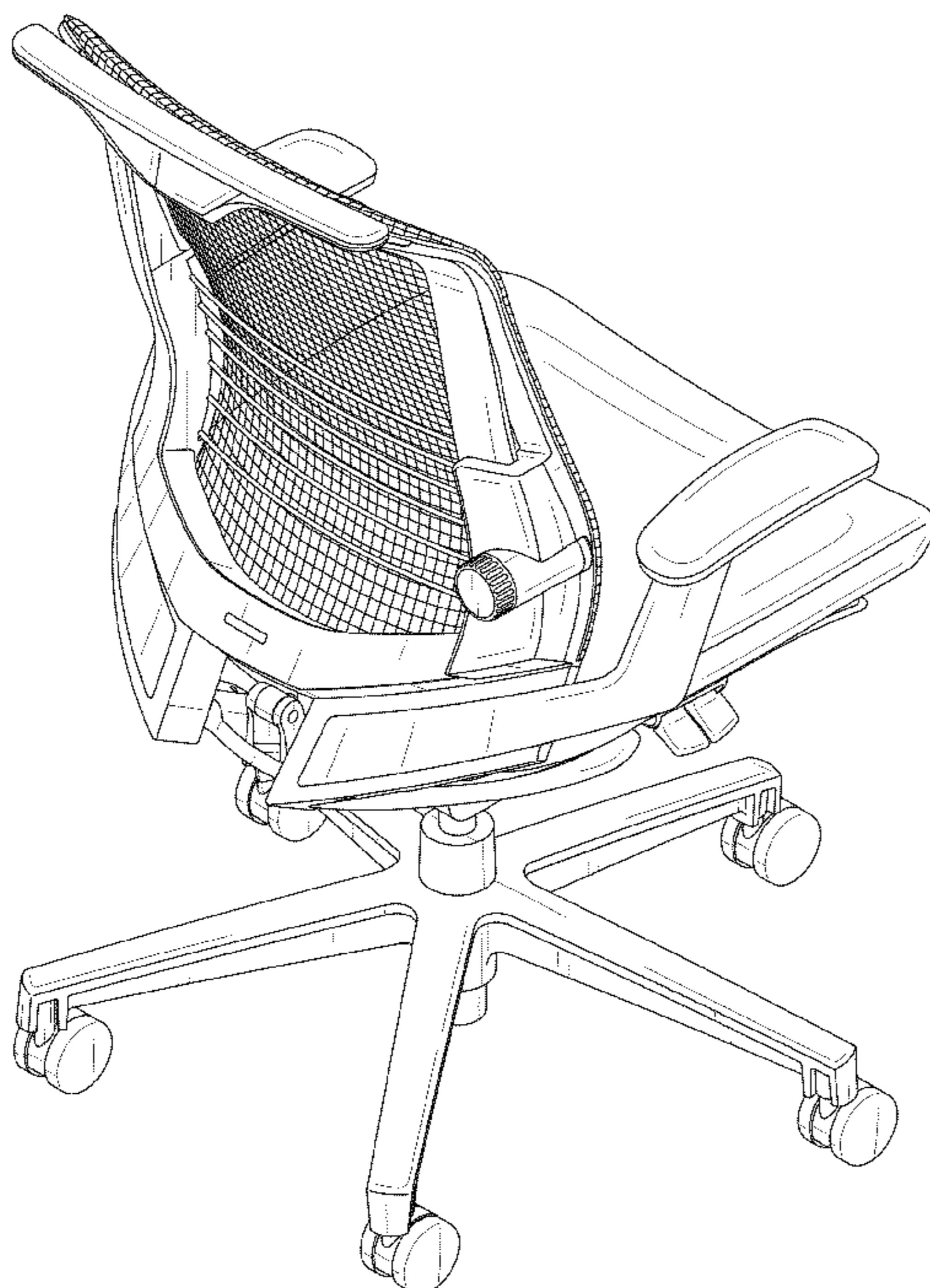


Fig. 1

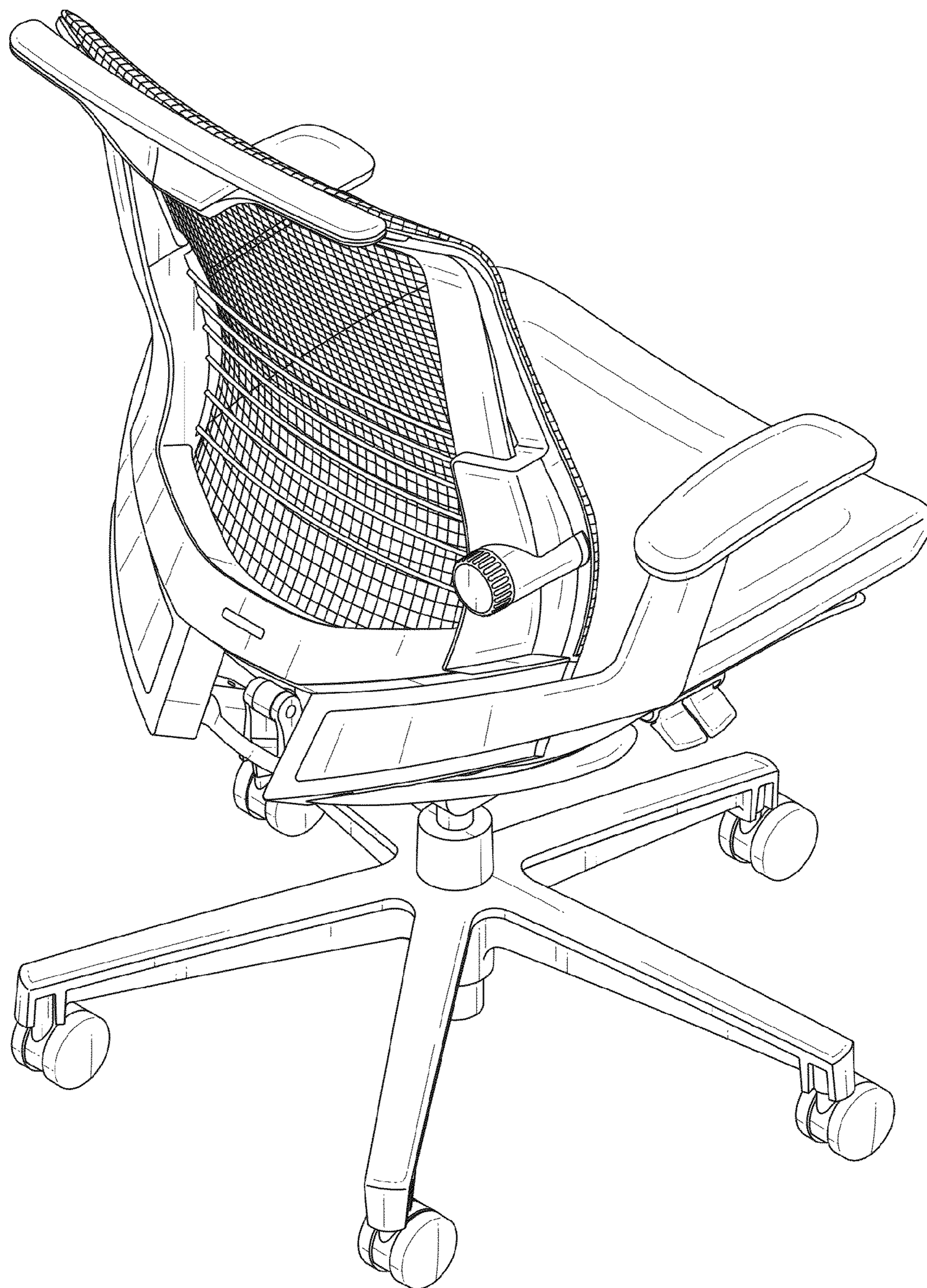
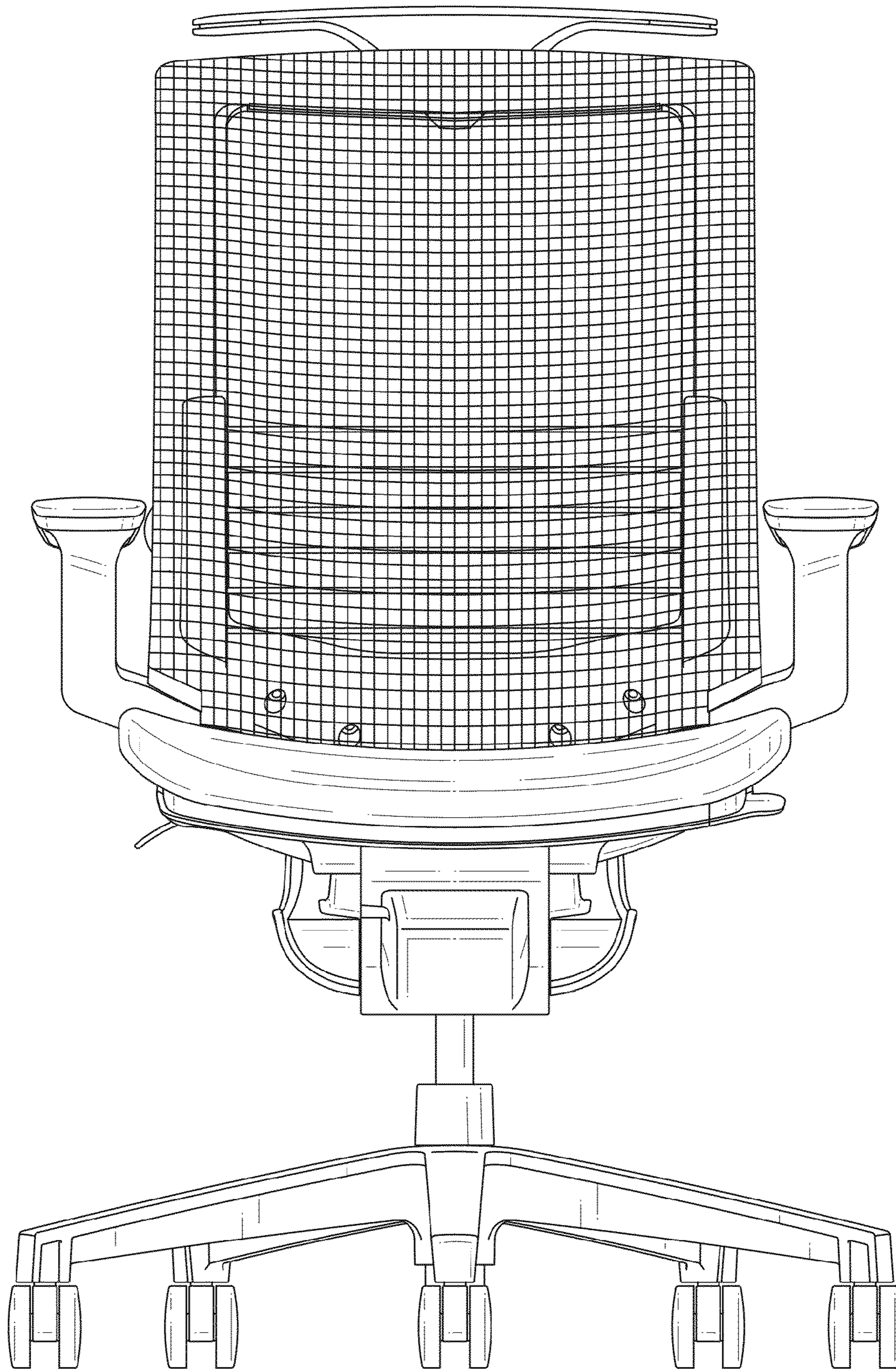


Fig. 2

8 ←



8 ←

Fig. 3

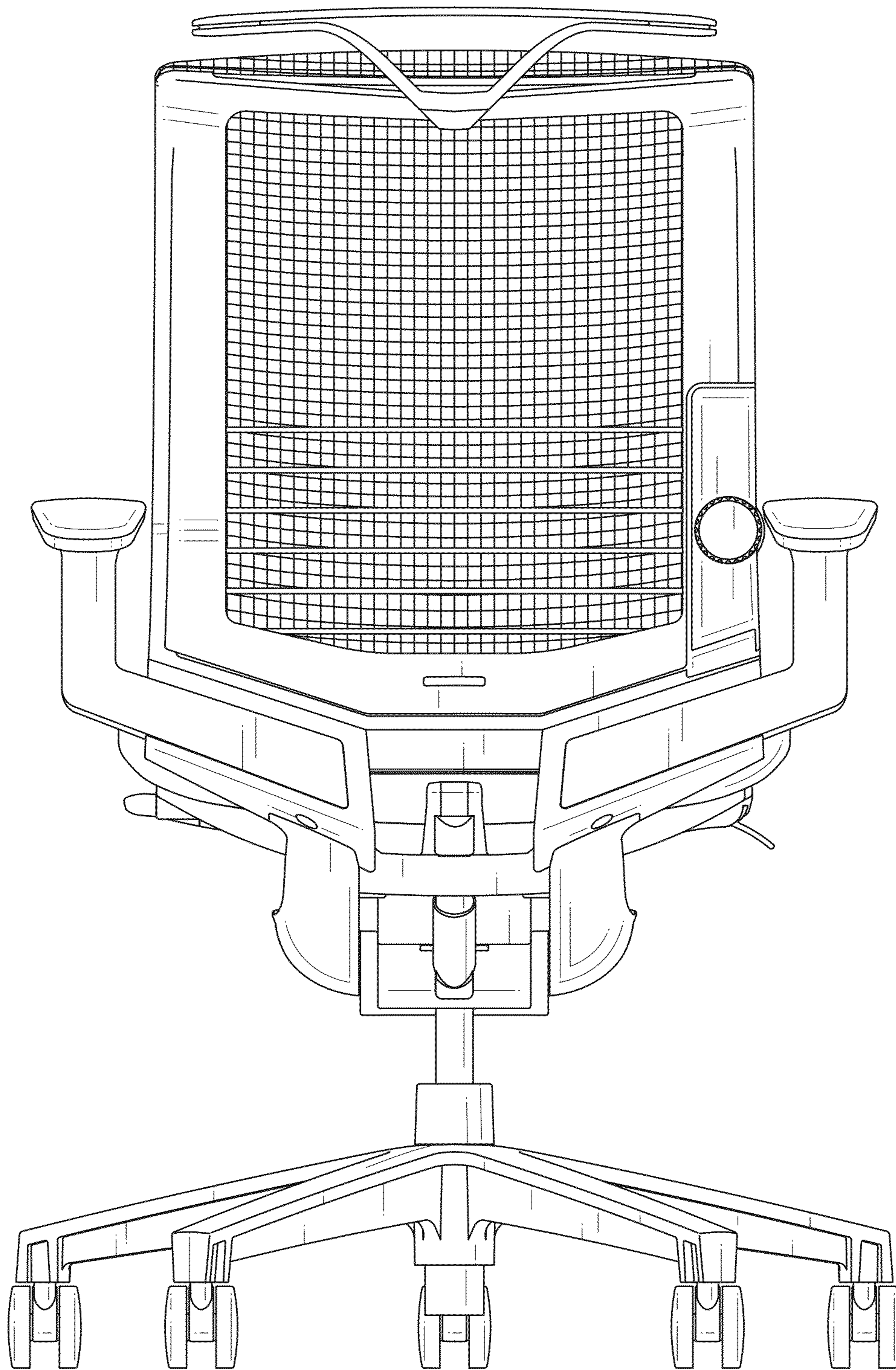


Fig. 4

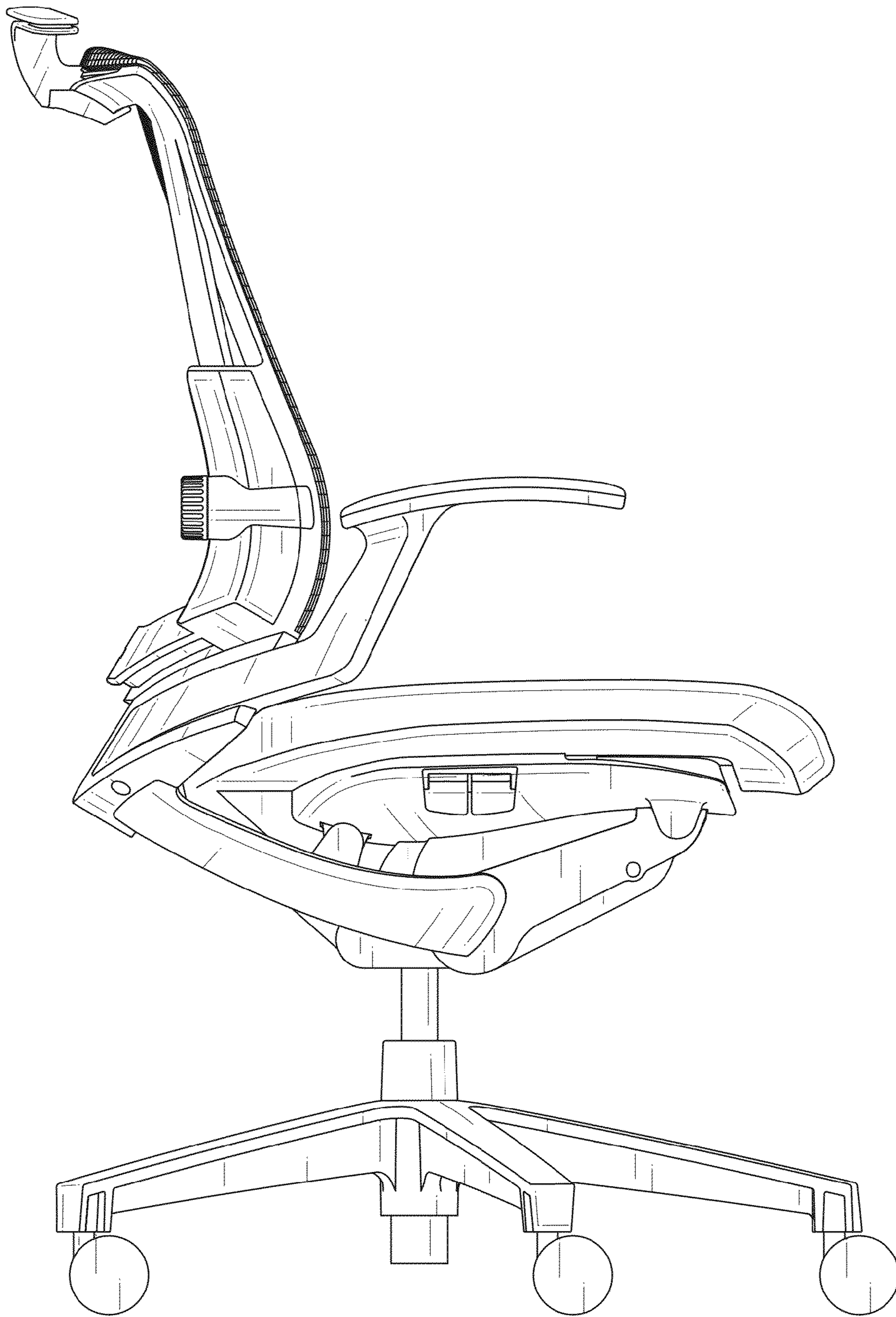


Fig. 5

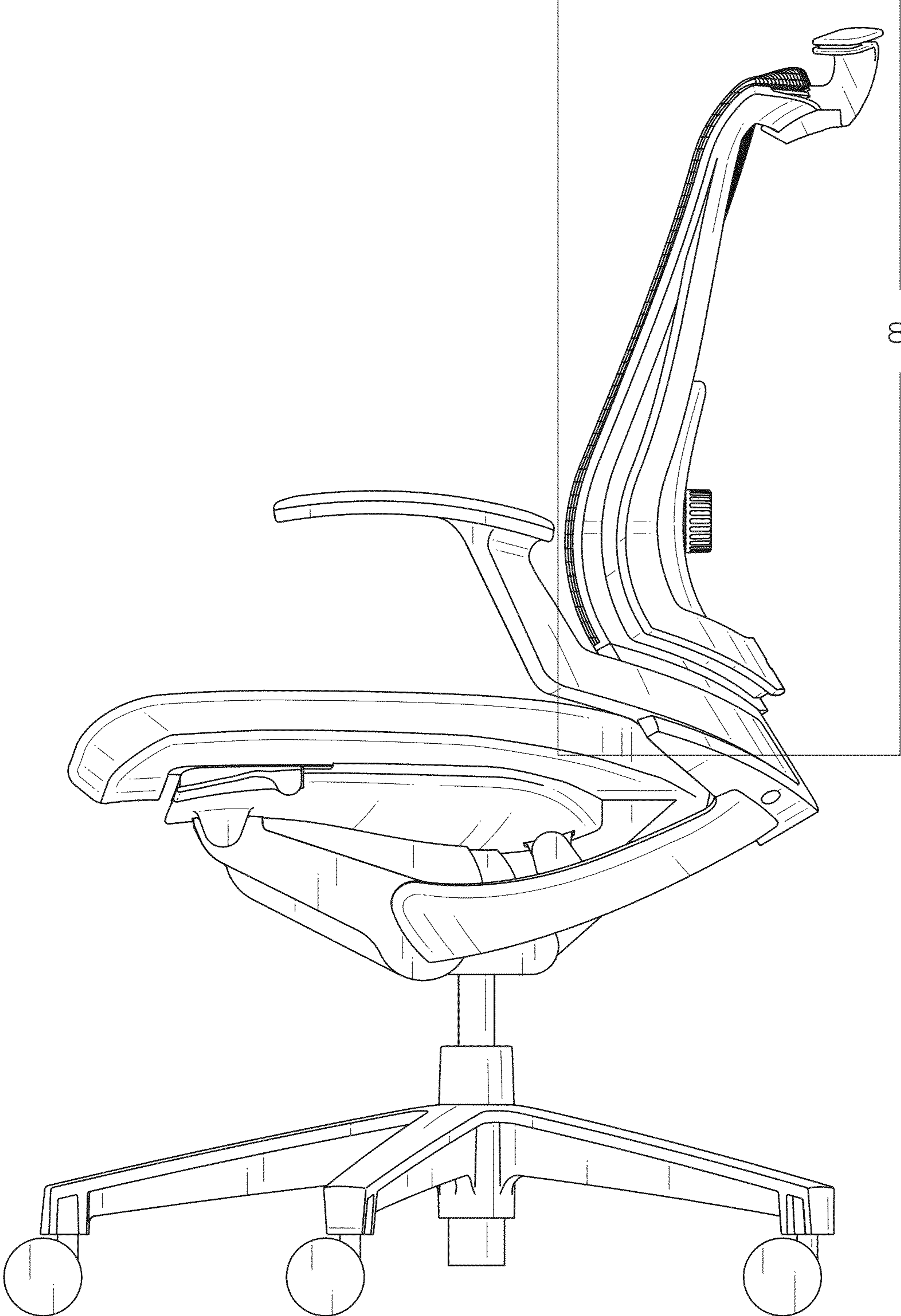


Fig. 6

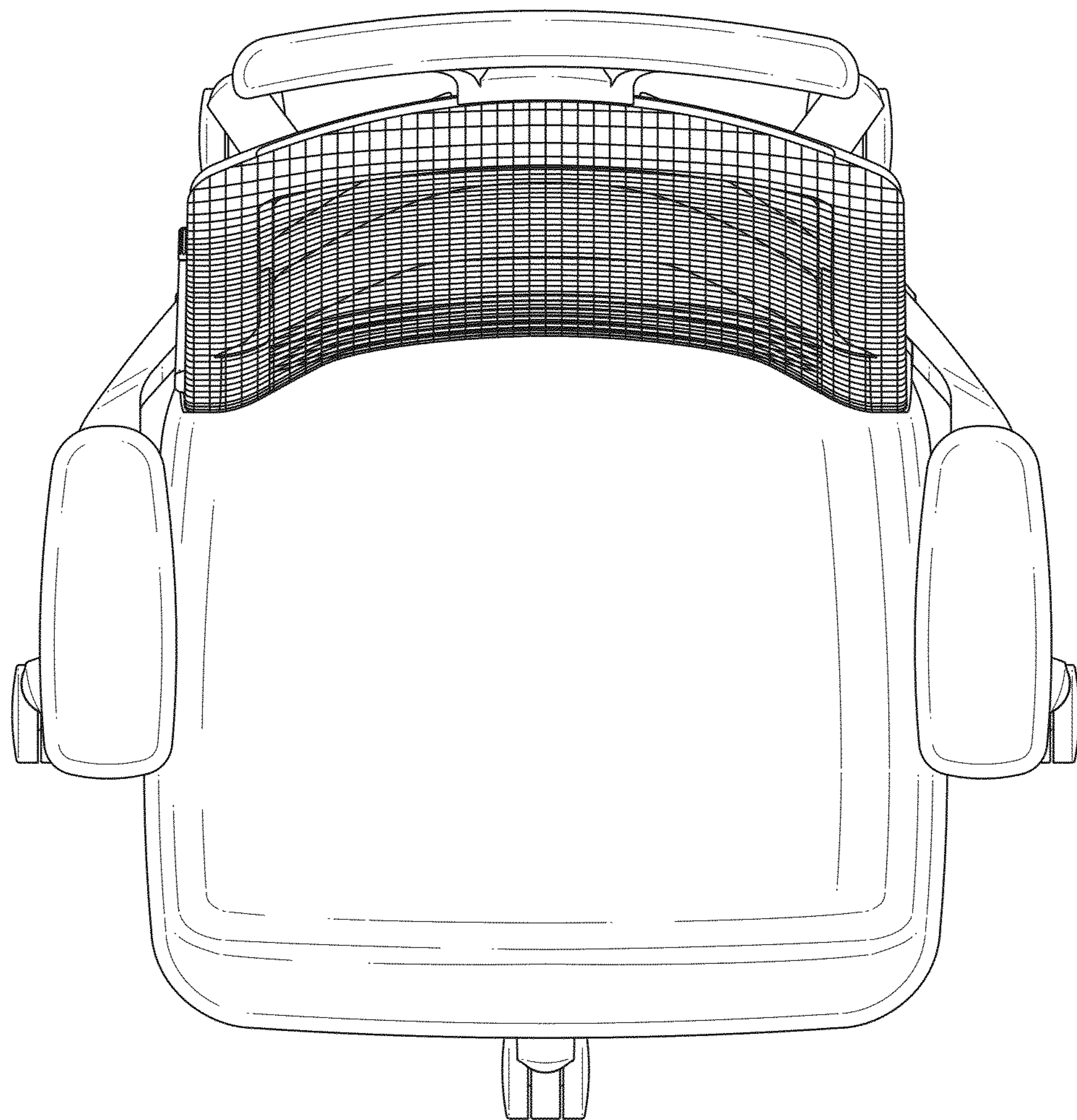


Fig. 7

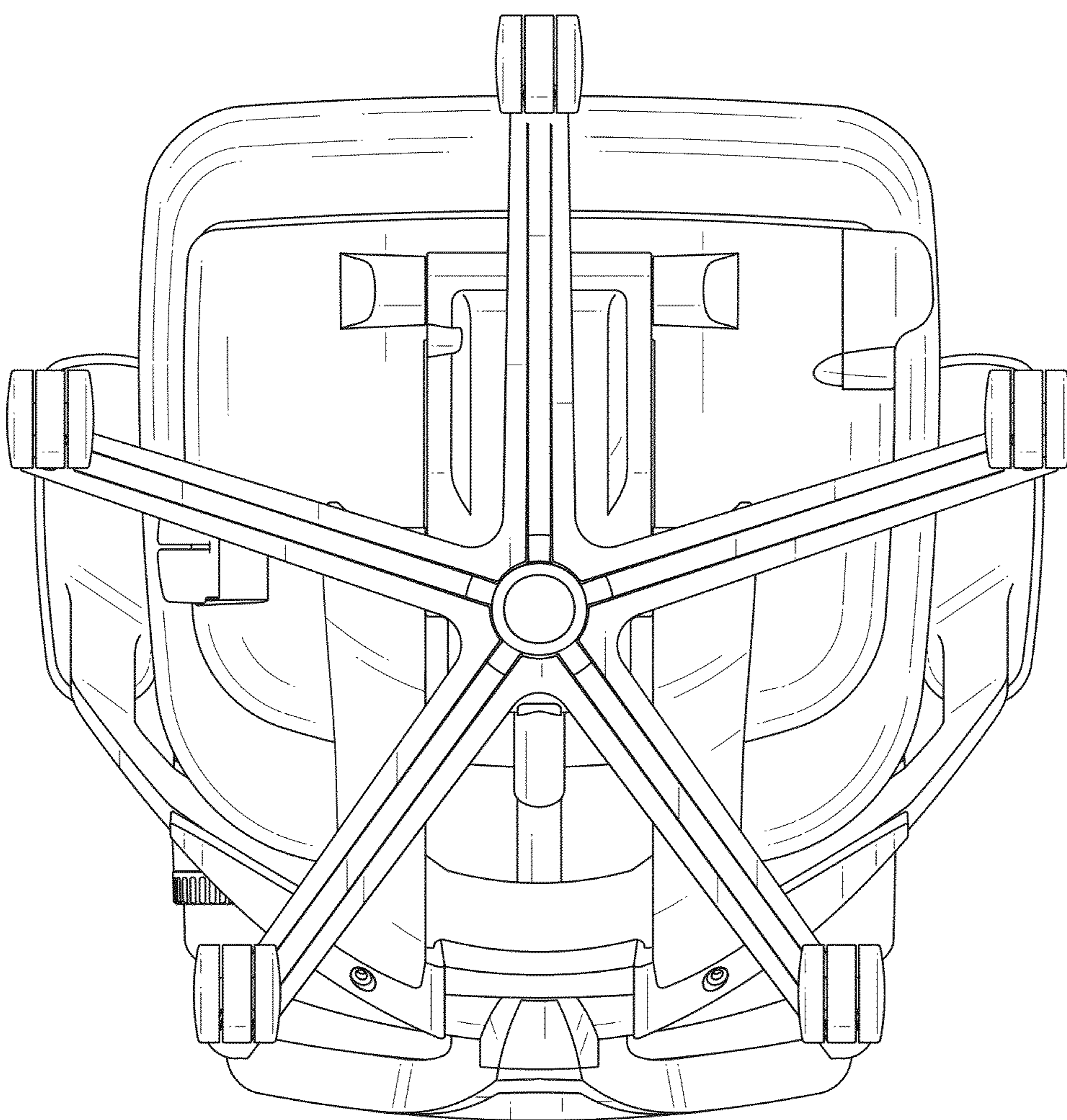


Fig. 8

