

US00D737062S

(12) **United States Design Patent**
Lopez

(10) **Patent No.:** **US D737,062 S**

(45) **Date of Patent:** **** Aug. 25, 2015**

(54) **DUAL BABY SWING SET**

(71) Applicant: **Jessie Lopez**, Philadelphia, PA (US)

(72) Inventor: **Jessie Lopez**, Philadelphia, PA (US)

(**) Term: **14 Years**

(21) Appl. No.: **29/502,436**

(22) Filed: **Sep. 16, 2014**

(51) **LOC (10) Cl.** **06-01**

(52) **U.S. Cl.**
USPC **D6/347**

(58) **Field of Classification Search**
USPC D6/334-336, 344, 347, 374, 375, 716,
D6/708.16, 716.1, 716.2, 716.3, 716.4;
D21/823
CPC A47C 5/04; A47C 3/0255; A47C 3/12;
A45F 3/24; A45F 3/26; A63G 9/00
See application file for complete search history.

(56) **References Cited**

U.S. PATENT DOCUMENTS

D293,046 S * 12/1987 Riehm D6/347
D296,540 S 7/1988 Perego

D296,739 S 7/1988 Quinlan, Jr.
D298,187 S * 10/1988 Lacewell D6/347
D374,353 S * 10/1996 Coleman D6/333
6,520,862 B1 2/2003 Armbruster
6,585,319 B2 7/2003 Tseng
D486,965 S * 2/2004 Hsia D6/347
6,692,368 B1 2/2004 Hyun
6,752,405 B1 6/2004 Wright
D499,563 S * 12/2004 McCune et al. D6/347
D503,290 S * 3/2005 Tseng D6/347
D529,981 S * 10/2006 Tseng D21/823
D581,175 S * 11/2008 Lee D6/347
2011/0165953 A1 7/2011 Solis

* cited by examiner

Primary Examiner — Mimoso De

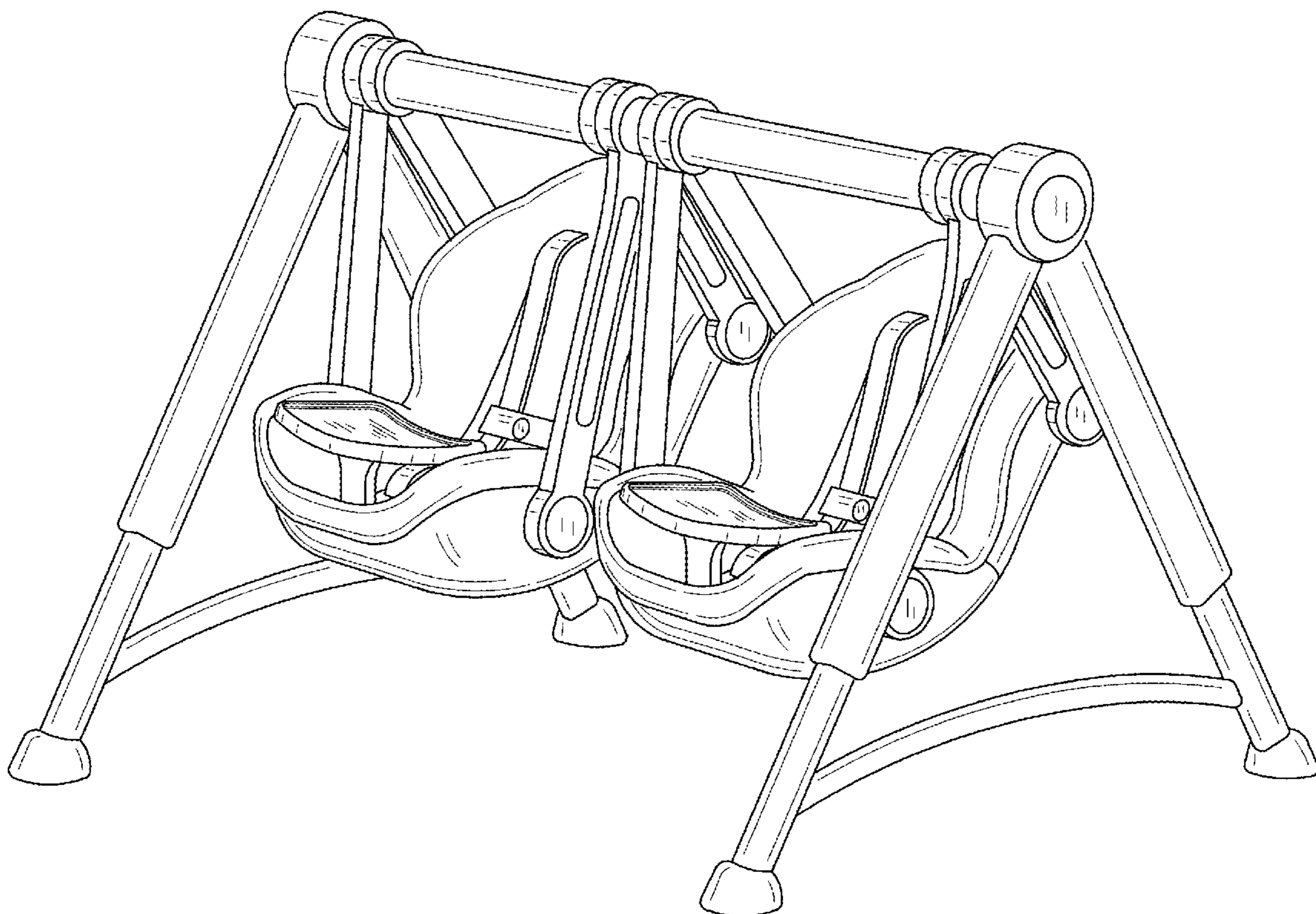
(57) **CLAIM**

I claim the ornamental design for the dual baby swing set, as shown and described.

DESCRIPTION

FIG. 1 is a front view of the dual baby swing set.
FIG. 2 is a rear view of the claimed design.
FIG. 3 is a left side view of the claimed design.
FIG. 4 is a top view of the claimed design.
FIG. 5 is a bottom view of the claimed design; and,
FIG. 6 is a perspective view of the claimed design.

1 Claim, 6 Drawing Sheets



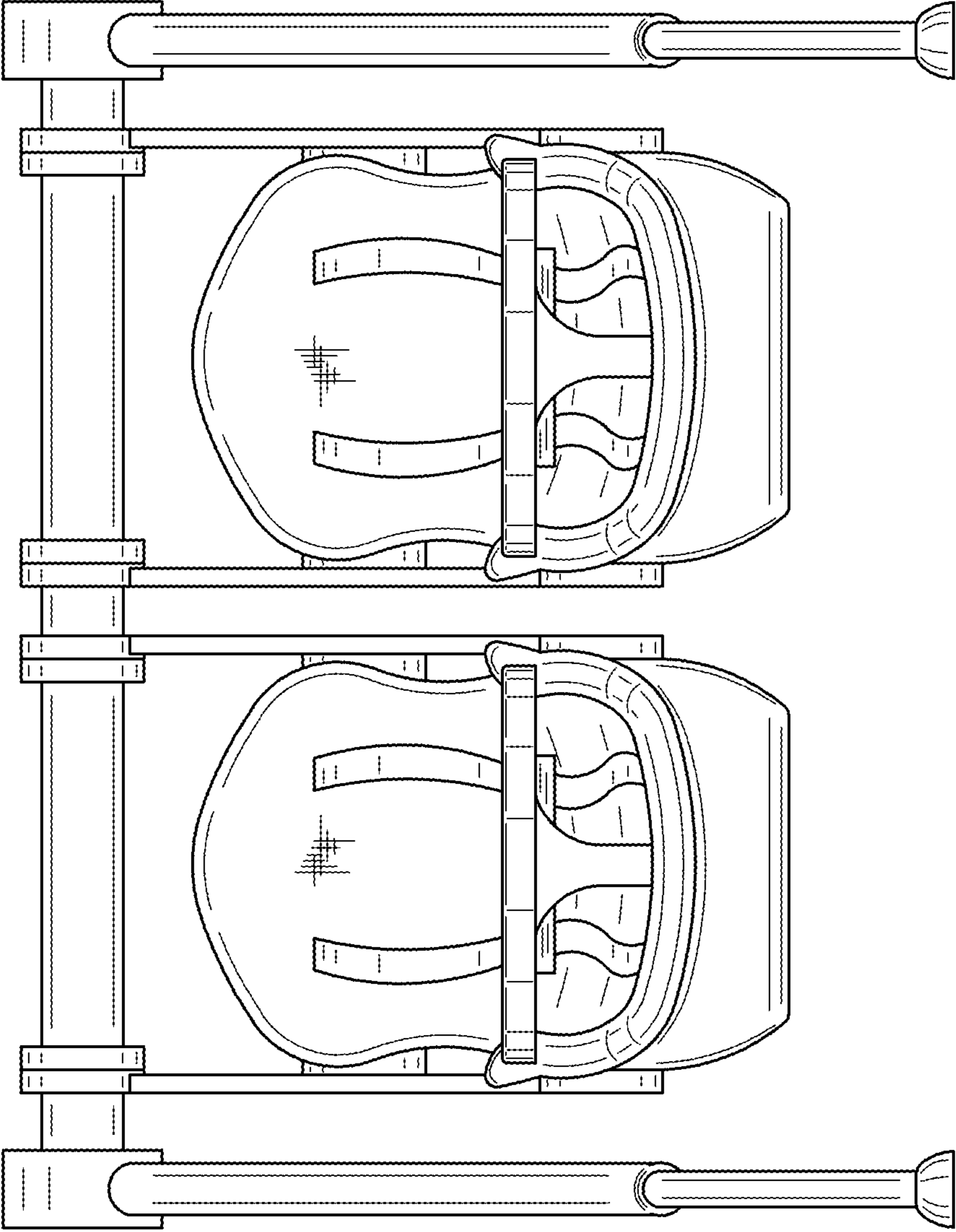


FIG. 1

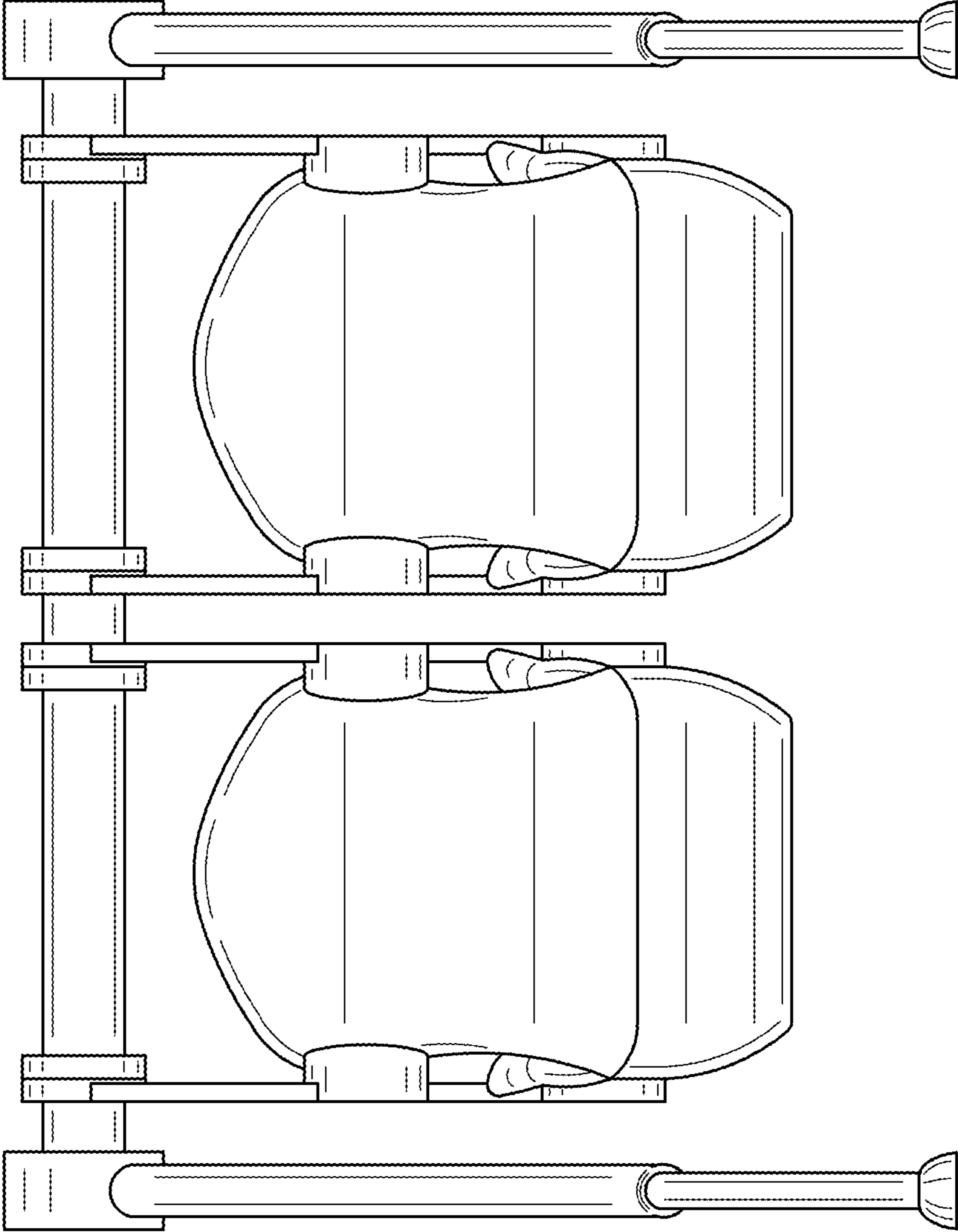


FIG. 2

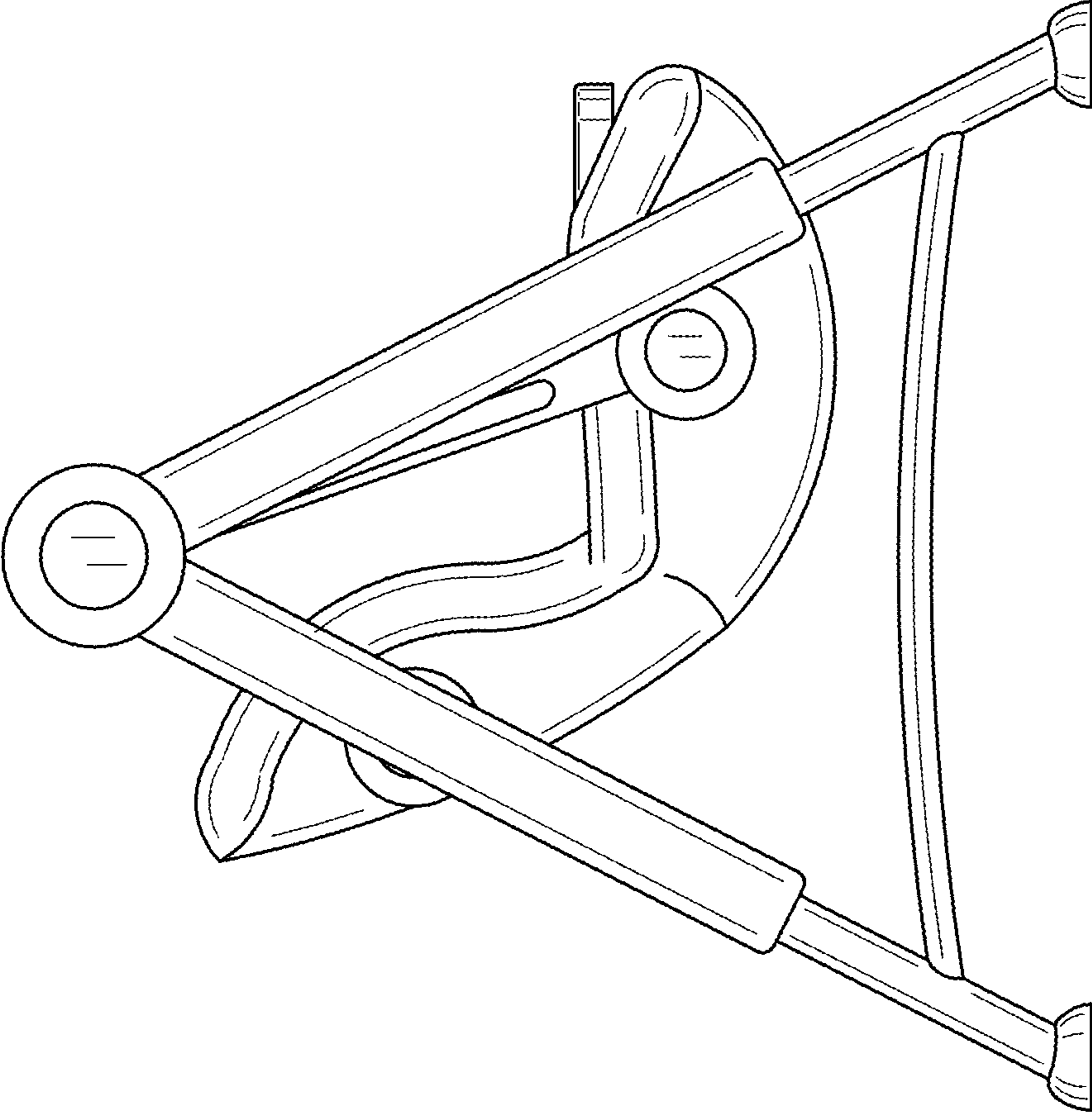


FIG. 3

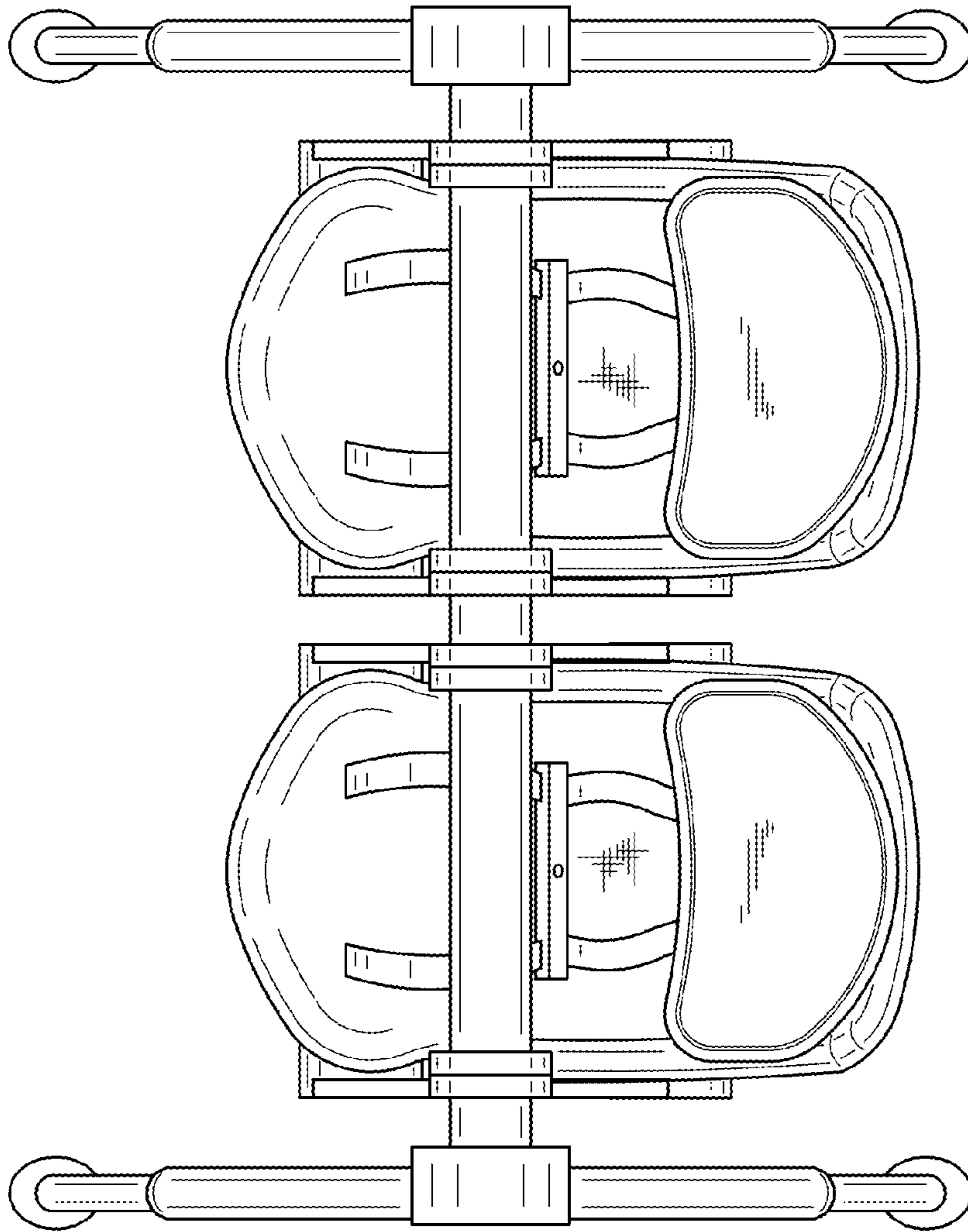


FIG. 4

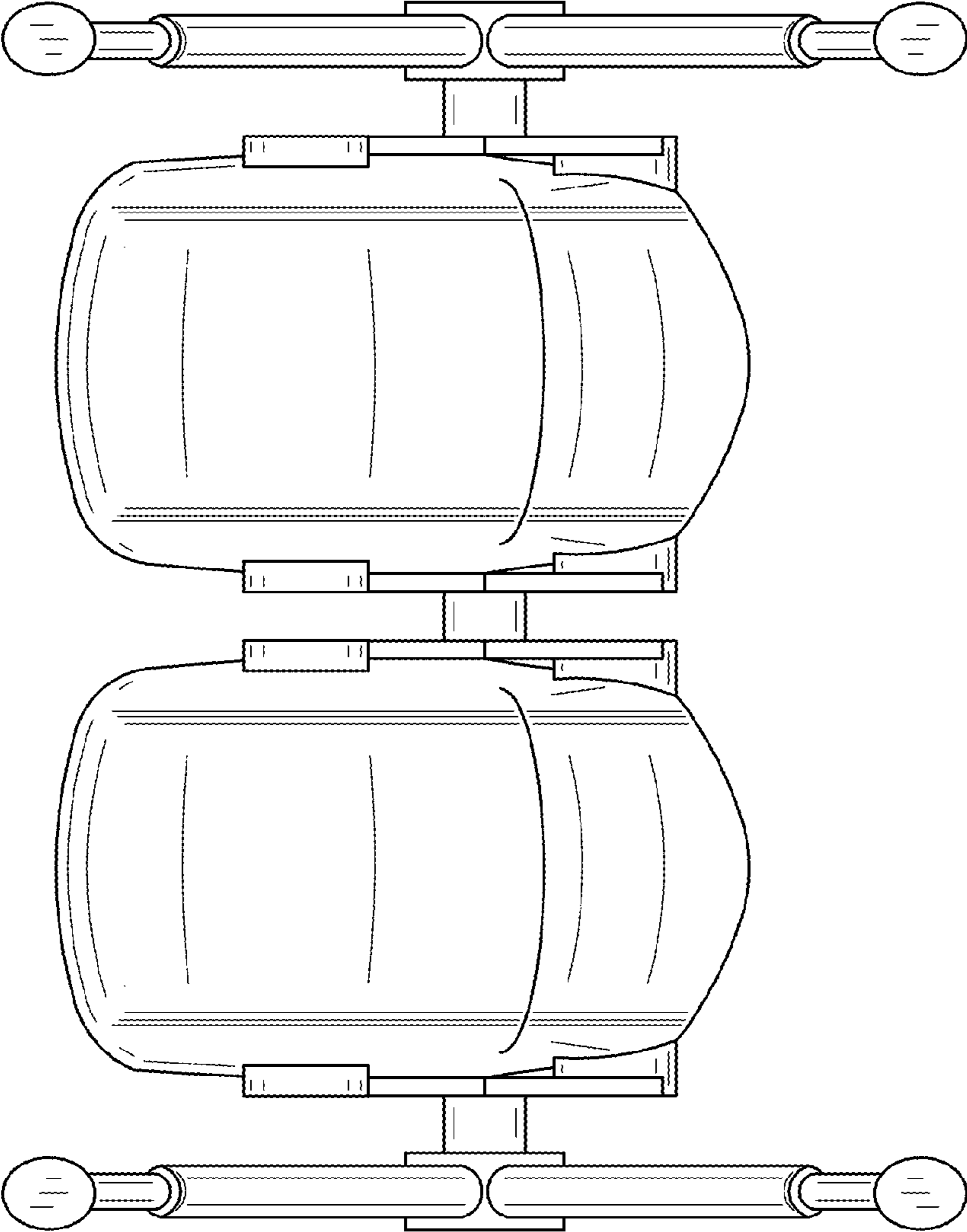


FIG. 5

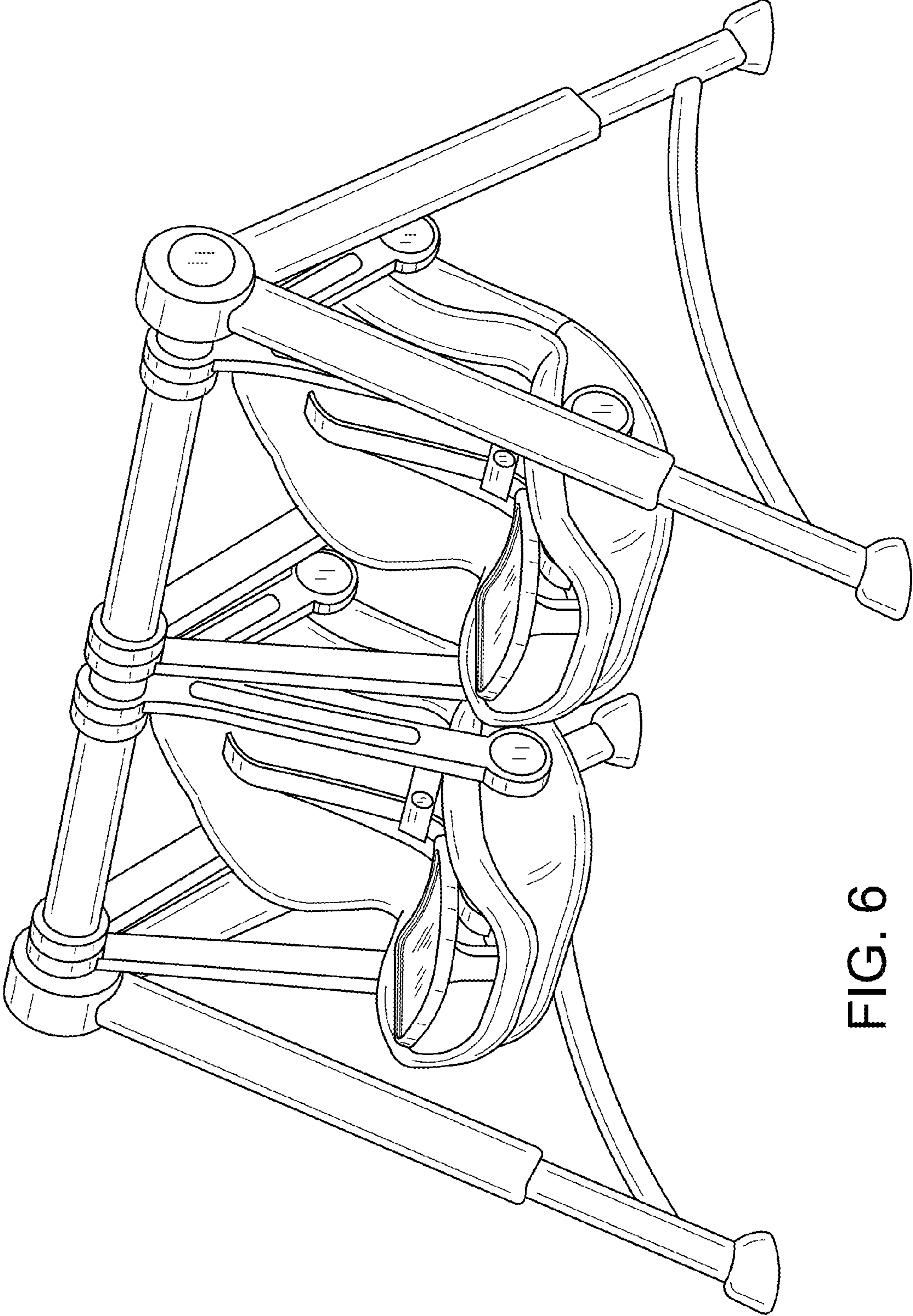


FIG. 6