



US00D737060S

(12) **United States Design Patent**
Yang et al.

(10) **Patent No.:** **US D737,060 S**

(45) **Date of Patent:** **** *Aug. 25, 2015**

(54) **VANITY MIRROR**

(71) Applicant: **simplehuman, LLC**, Torrance, CA (US)

(72) Inventors: **Frank Yang**, Rancho Palos Verdes, CA (US); **Tzu-Hao Wei**, Hacienda Heights, CA (US); **Daniel Ballou**, Long Beach, CA (US)

(73) Assignee: **simplehuman, LLC**, Torrance, CA (US)

(*) Notice: This patent is subject to a terminal disclaimer.

(**) Term: **14 Years**

(21) Appl. No.: **29/464,995**

(22) Filed: **Aug. 22, 2013**

(51) **LOC (10) Cl.** **06-07**

(52) **U.S. Cl.**

USPC **D6/310**; D6/309; D6/312

(58) **Field of Classification Search**

USPC D6/300–314, 444; D10/122, 123, 126; D24/139; D20/10, 21, 29–32; D26/44, D26/56, 63; D8/352; 359/879, 871; 40/735, 40/738, 597, 744, 745, 754, 765, 768, 769, 40/790, 798; 248/466–467

CPC A45D 42/10; A47G 1/02; A47G 2200/08; F21V 33/004

See application file for complete search history.

(56) **References Cited**

U.S. PATENT DOCUMENTS

D44,537 S 8/1913 McIsaac
2,004,166 A 6/1935 Low

(Continued)

FOREIGN PATENT DOCUMENTS

AU 356220 7/2014
AU 358072 10/2014

(Continued)

OTHER PUBLICATIONS

Simple Human Vanity Mirror, available Dec. 19, 2013, [online], [site visited Dec. 2, 2014]. Available from internet, <URL: http://www.bedbathandbeyond.com/store/product/simplehuman-reg-5x-sensor-vanity-mirror/1041483503?categoryId=12028.*

(Continued)

Primary Examiner — Cathron Brooks

Assistant Examiner — Teddy Falloway

(74) *Attorney, Agent, or Firm* — Knobbe Martens Olson & Bear LLP

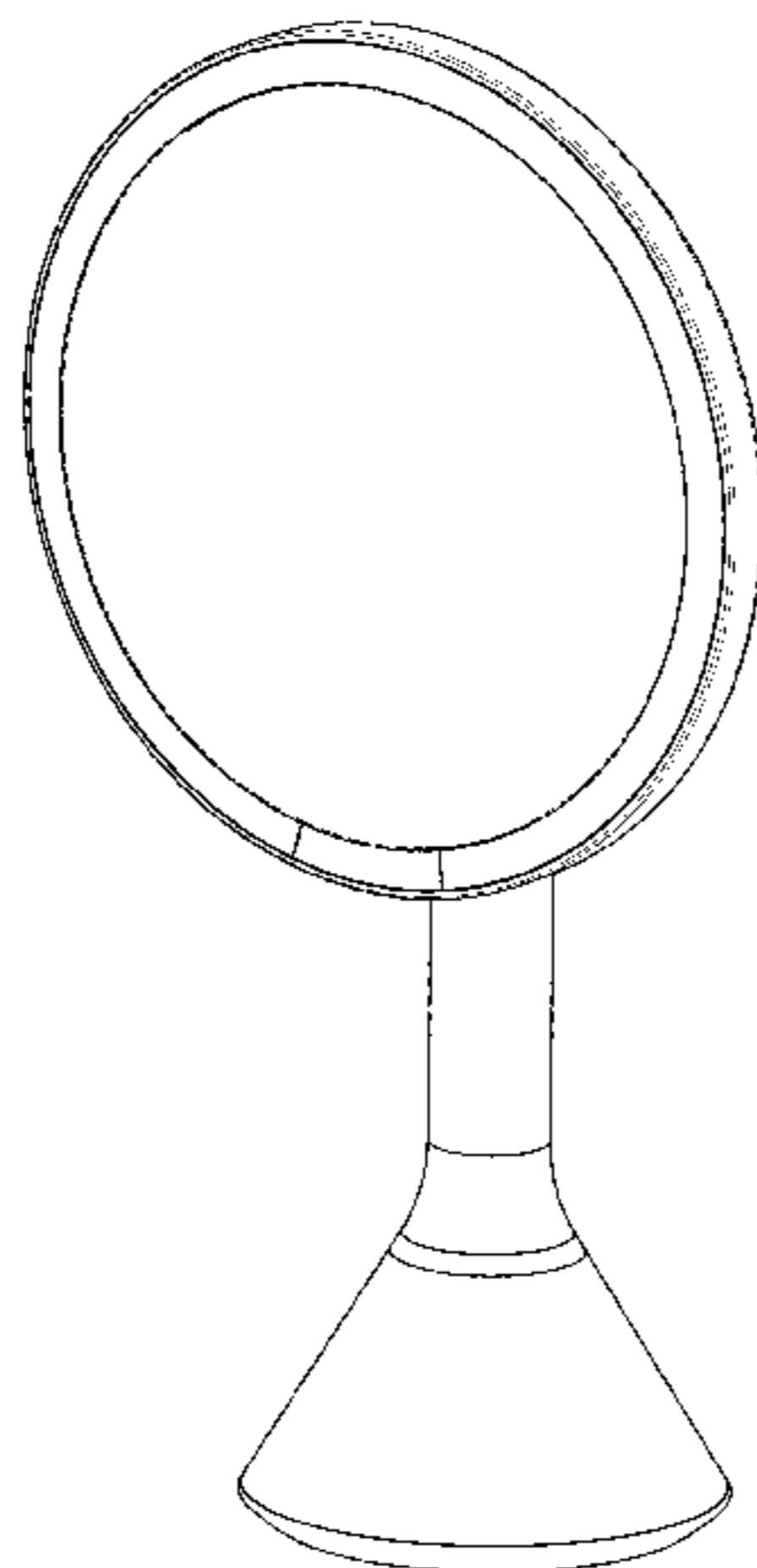
(57) **CLAIM**

The ornamental design for a vanity mirror, as shown and described herein.

DESCRIPTION

FIG. 1 is a top, front, left-side perspective view of a vanity mirror showing a first embodiment of our design; FIG. 2 is a front elevation view of the first embodiment; FIG. 3 is a rear elevation view of the first embodiment; FIG. 4 is a left-side elevation view of the first embodiment; FIG. 5 is a right-side elevation view of the first embodiment; FIG. 6 is a top plan view of the first embodiment; FIG. 7 is a bottom plan view of the first embodiment; FIG. 8 is a top, front, left-side perspective view of a vanity mirror showing a second embodiment of our design; FIG. 9 is a front elevation view of the second embodiment; FIG. 10 is a rear elevation view of the second embodiment; FIG. 11 is a left-side elevation view of the second embodiment; FIG. 12 is a right-side elevation view of the second embodiment; FIG. 13 is a top plan view of the second embodiment; and, FIG. 14 is a bottom plan view of the second embodiment. All features in phantom line are for the purpose of illustrating environmental structure and form no part of the claimed subject matter.

1 Claim, 12 Drawing Sheets



(56)

References Cited

U.S. PATENT DOCUMENTS

D208,234 S 8/1967 Ely
 3,732,702 A 5/1973 Desch
 D254,208 S 2/1980 Breslow
 D309,833 S 8/1990 Wahl
 5,392,162 A 2/1995 Glucksman
 D379,125 S 5/1997 Simjiam
 D409,003 S 5/1999 Scavini
 D425,313 S 5/2000 Zadro
 D426,182 S 6/2000 Brown
 D431,375 S 10/2000 Zadro
 6,158,877 A 12/2000 Zadro
 6,241,357 B1 6/2001 Lee
 6,273,585 B1 8/2001 Wu
 6,305,809 B1 10/2001 Zadro
 D474,432 S 5/2003 Good
 6,604,836 B2 8/2003 Carlucci et al.
 6,886,351 B2 5/2005 Palfy et al.
 D508,883 S 8/2005 Falconer
 D509,369 S 9/2005 Snell
 D511,413 S 11/2005 Yue
 7,004,599 B2 2/2006 Mullani
 7,048,406 B1 5/2006 Shih
 7,090,378 B1 8/2006 Zadro
 D532,981 S 12/2006 Zadro
 7,341,356 B1 3/2008 Zadro
 D569,671 S 5/2008 Thompson et al.
 7,393,115 B2 7/2008 Tokushita et al.
 D574,159 S 8/2008 Howard
 7,513,476 B1 4/2009 Huang
 D635,009 S 3/2011 Paterson
 D639,077 S 6/2011 DeBretton Gordon
 D647,444 S 10/2011 Manukyan et al.
 D649,790 S 12/2011 Pitot
 D652,220 S 1/2012 Pitot
 D656,979 S 4/2012 Yip et al.
 D657,425 S 4/2012 Podd
 D657,576 S 4/2012 Pitot
 8,162,502 B1 4/2012 Zadro
 D658,604 S 5/2012 Egawa et al.
 D660,367 S 5/2012 Podd
 D660,368 S 5/2012 Podd
 D660,369 S 5/2012 Podd
 8,194,133 B2 6/2012 DeWind et al.
 D665,030 S 8/2012 Podd
 D666,010 S 8/2012 Farley
 8,356,908 B1 1/2013 Zadro
 D679,102 S 4/2013 Gilboe et al.
 D689,701 S 9/2013 Mischel, Jr. et al.
 D699,448 S * 2/2014 Yang et al. D6/309
 D699,952 S * 2/2014 Yang et al. D6/309
 D701,050 S * 3/2014 Yang et al. D6/309
 D711,874 S * 8/2014 Cope D14/374
 D712,963 S * 9/2014 Fleet D19/113
 2002/0196333 A1 12/2002 Gorischek
 2003/0030063 A1 2/2003 Sosniak et al.
 2003/0031010 A1 2/2003 Sosniak et al.
 2004/0020509 A1 2/2004 Waisman
 2005/0243556 A1 11/2005 Lynch
 2006/0186314 A1 8/2006 Leung
 2008/0130305 A1 6/2008 Wang et al.
 2008/0258110 A1 10/2008 Oshio
 2008/0298080 A1 12/2008 Wu et al.
 2010/0118520 A1 5/2010 Stern et al.
 2010/0296298 A1 11/2010 Martin, Jr.
 2011/0058269 A1 3/2011 Su
 2011/0211079 A1 9/2011 Rolston
 2013/0026512 A1 1/2013 Tsai
 2013/0077292 A1 3/2013 Zimmerman

2013/0235607 A1 9/2013 Yang et al.
 2013/0235610 A1 9/2013 Yang et al.
 2015/0060431 A1 3/2015 Yang et al.

FOREIGN PATENT DOCUMENTS

CA 147356 4/2013
 CA 152609 5/2014
 CN 302432849 5/2013
 CN 201230410857.2 5/2013
 CN 302770592 S 3/2014
 CN 302984538 S 10/2014
 CN 303091369 S 1/2015
 DE 20014279 U1 2/2001
 DE 102004042929 A1 3/2006
 DE 202009004795 U1 9/2009
 DE 202010000170 U1 7/2010
 EP 1792553 A2 6/2007
 EP 2636336 A1 9/2013
 EP 001403620-0001 5/2014
 EP 001403620-0002 5/2014
 EP 001403620-0003 5/2014
 EP 001403620-0004 5/2014
 EP 001417034-0001 7/2014
 EP 001420517-0001 9/2014
 EP 2845522 A1 3/2015
 JP 2008-073174 A 4/2008

OTHER PUBLICATIONS

Simple Human Sensor Mirror, available Jan. 27, 2013, [online], [site visited Dec. 2, 2014]. Available from internet, <URL: <http://www.tuvie.com/stainless-steel-sensor-mirror-by-simplehuman/>>.*
 Brookstone Shower Mirror, available Jan. 15, 2013, [online], [site visited Dec. 2, 2014], Available from internet, <URL: http://www.brookstone.com/9-Lighted-Fogless-Shower-Mirror?bkiid=SubCategory_Bath_Spa_Mirrors_Lighting_Makeup_Mirrors%7CSubCategoryWidget%7C608364p&catId=n/>.*
 U.S. Appl. No. 29/415,283, filed Mar. 8, 2012, Yang et al.
 U.S. Appl. No. 13/783,109, filed Mar. 1, 2013, Yang et al.
 U.S. Appl. No. 13/783,087, filed Mar. 1, 2013, Yang et al.
 U.S. Appl. No. 29/447,287, filed Mar. 1, 2013, Yang et al.
 U.S. Appl. No. 29/447,341, filed Mar. 1, 2013, Yang et al.
 U.S. Appl. No. 29/480,510, filed Jan. 27, 2014, Yang et al.
 U.S. Appl. No. 29/484,906, filed Mar. 13, 2014, Yang et al.
 U.S. Appl. No. 29/519,719, filed Mar. 6, 2015.
 Simplehuman Sensor Mirror, available from internet at <http://www.amazon.com/simplehuman-Sensor-Sensor-Activated-Lighted-Magnification/dp/B00M8MC5H4#customerReviews>, available at least as early as Dec. 31, 2014, site visited Jan. 8, 2015.
 Simplehuman Wall Mount Mirror, available from internet at <http://www.amazon.com/simplehuman-Wall-Mount-Sensor-Mirror/dp/B00FN92ELG#customerReviews>, available at least as early as Jan. 31, 2013, site visited Jan. 8, 2015.
 Jerdon Wall Mounted Mirror, available from internet at http://www.amazon.com/Jerdon-HL1016NL-9-5-Inch-Lighted-Magnification/dp/B00413G9K2/ref=sr_1_26?ie=UTF8&qid=1420579897&sr=8-26&keywords=wall+mounted+mirror#customerReviews, available at least as early as Feb. 21, 2009, site visited Jan. 8, 2015.
 Jerdon Wall Mounted Mirror, available from internet at http://www.amazon.com/Jerdon-JD7C-9-Inch-Lighted-Magnification/dp/B001DKVC08/ref=sr_1_54?ie=UTF8&qid=1420580127&sr=8-54&keywords=wall+mounted+mirror, available at least as early as Oct. 6, 2010, site visited Jan. 8, 2015.

* cited by examiner

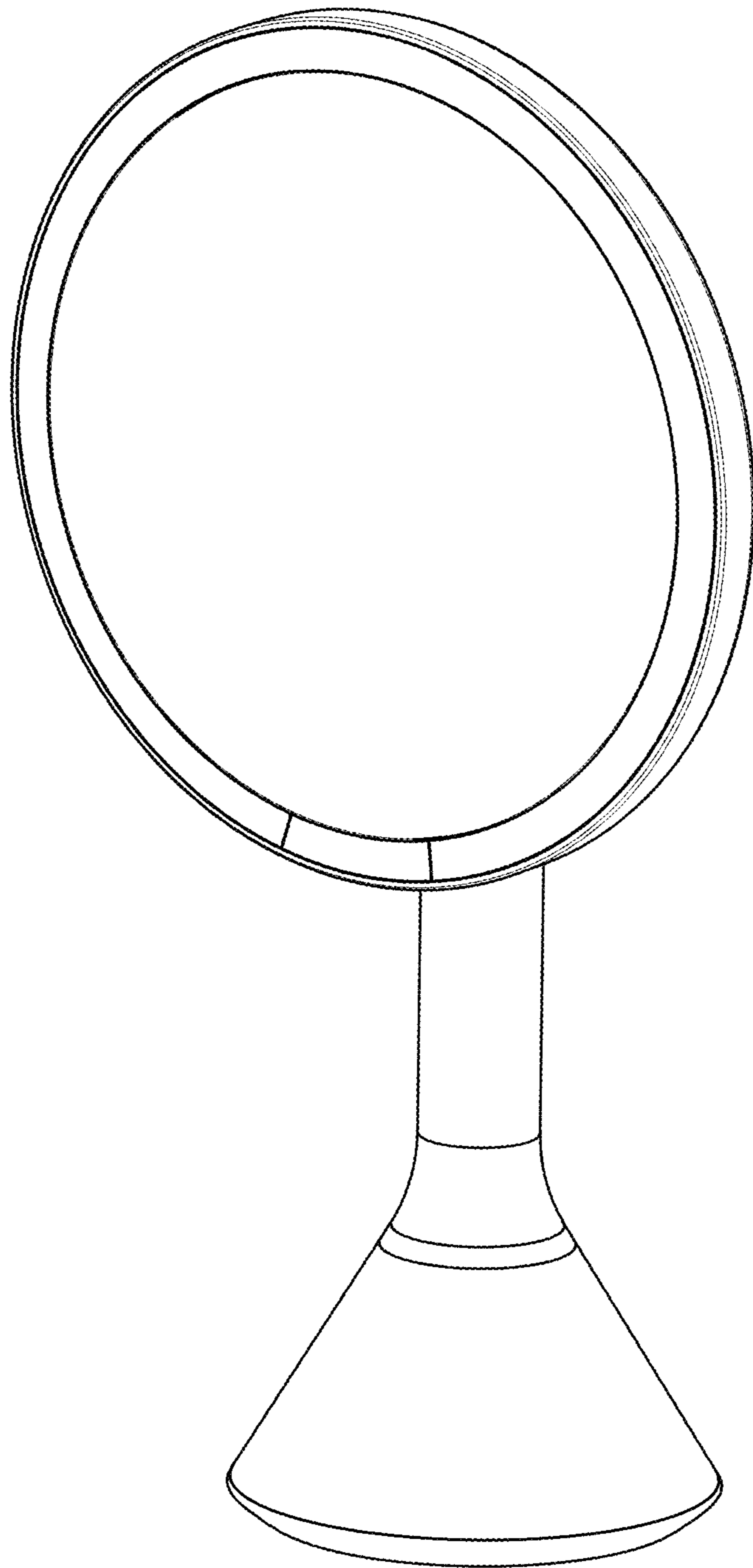


FIG. 1

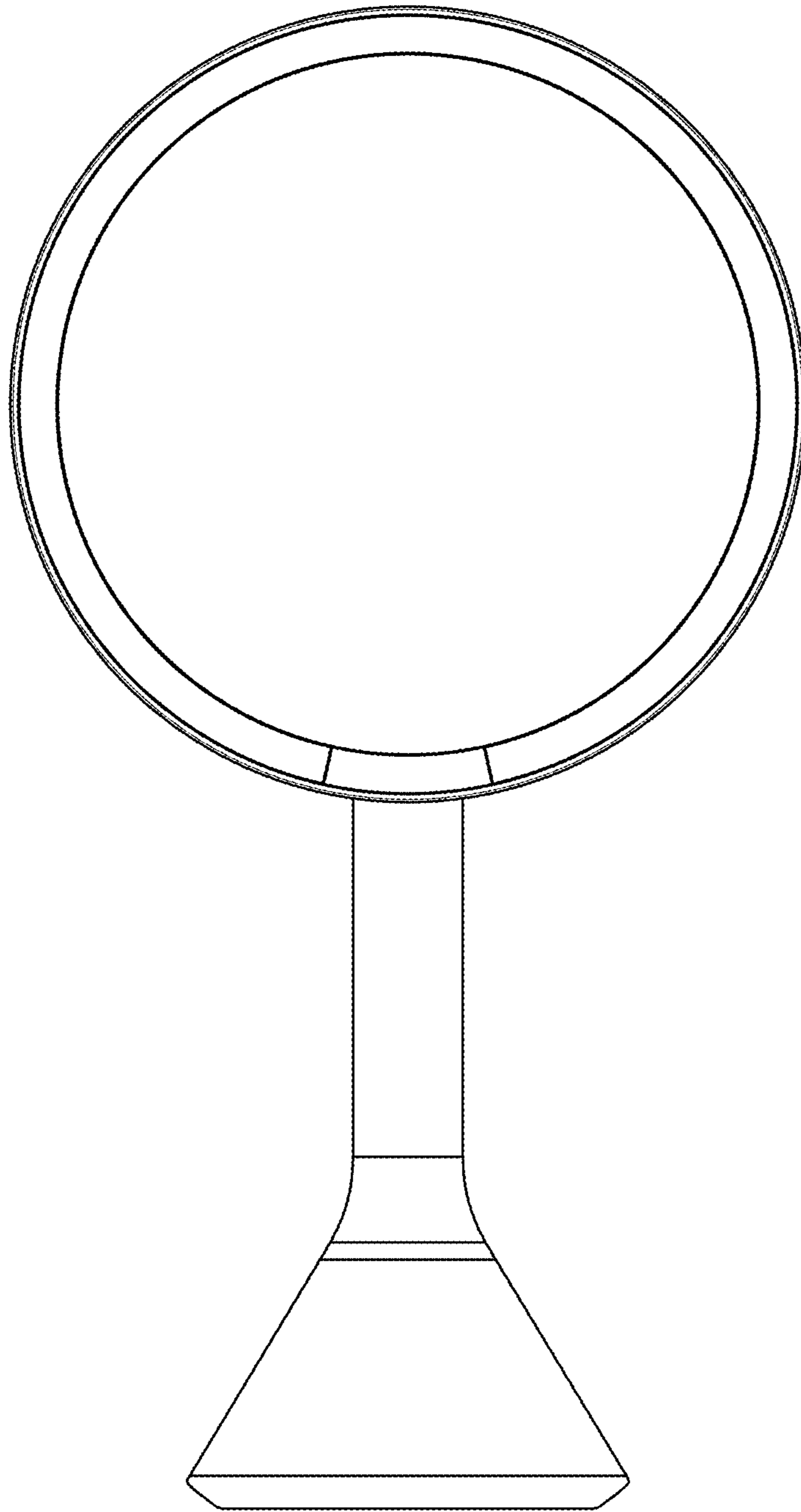


FIG. 2

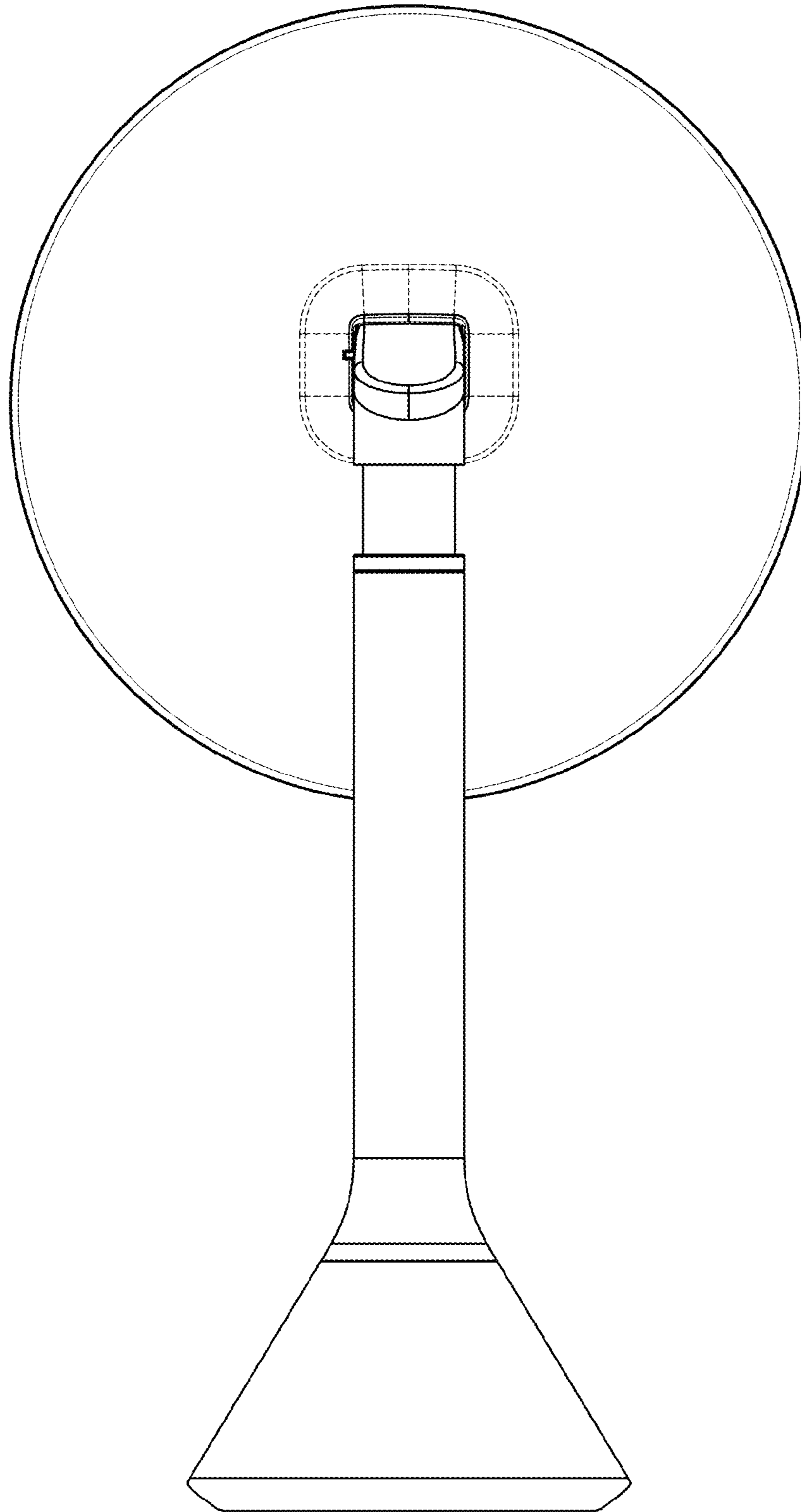


FIG. 3

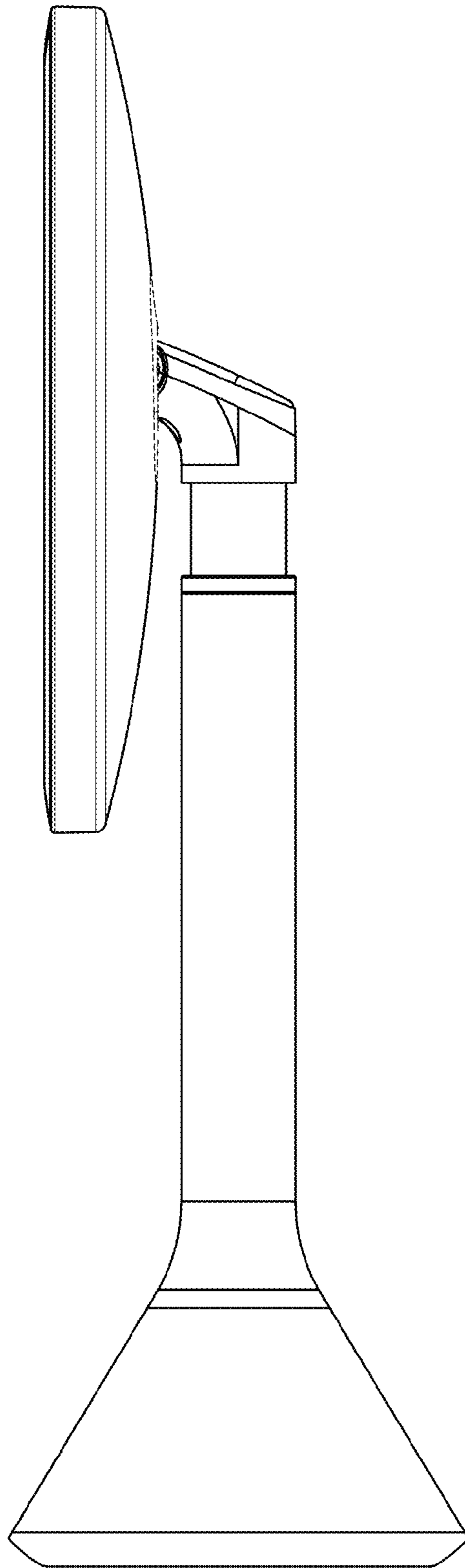


FIG. 4

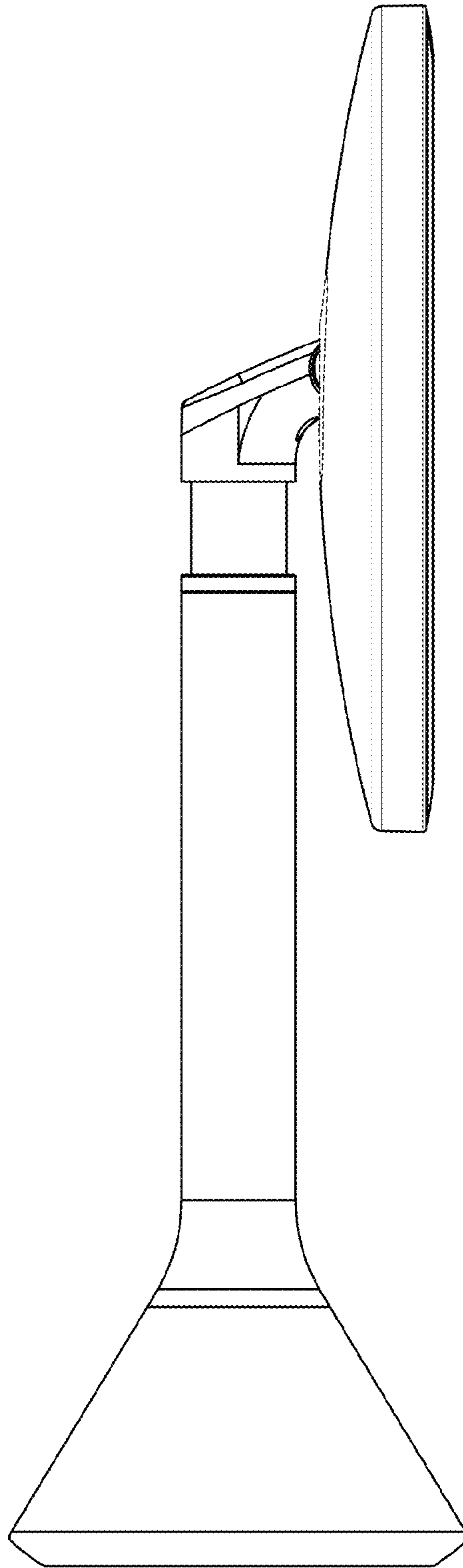


FIG. 5

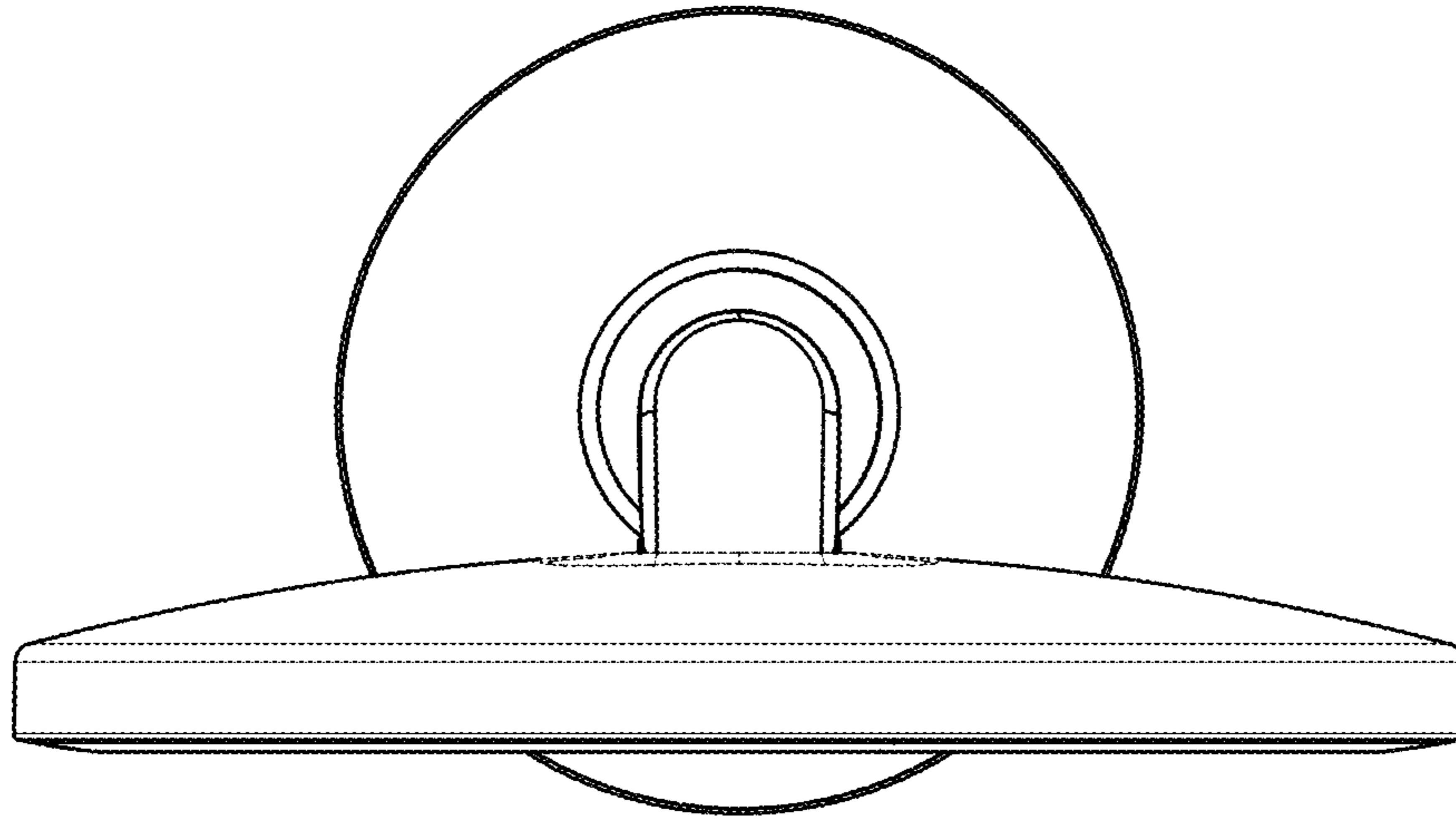


FIG. 6

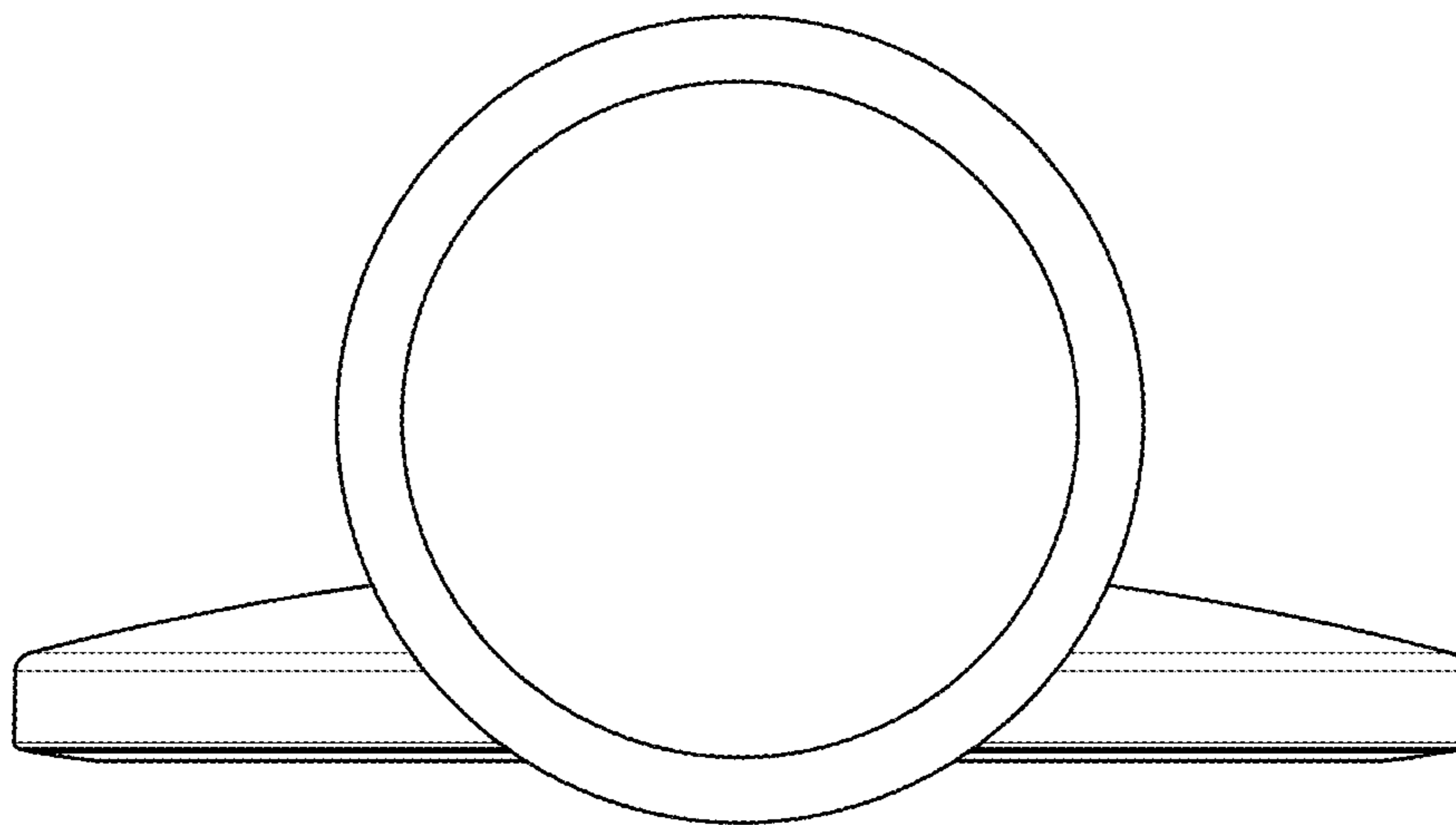


FIG. 7

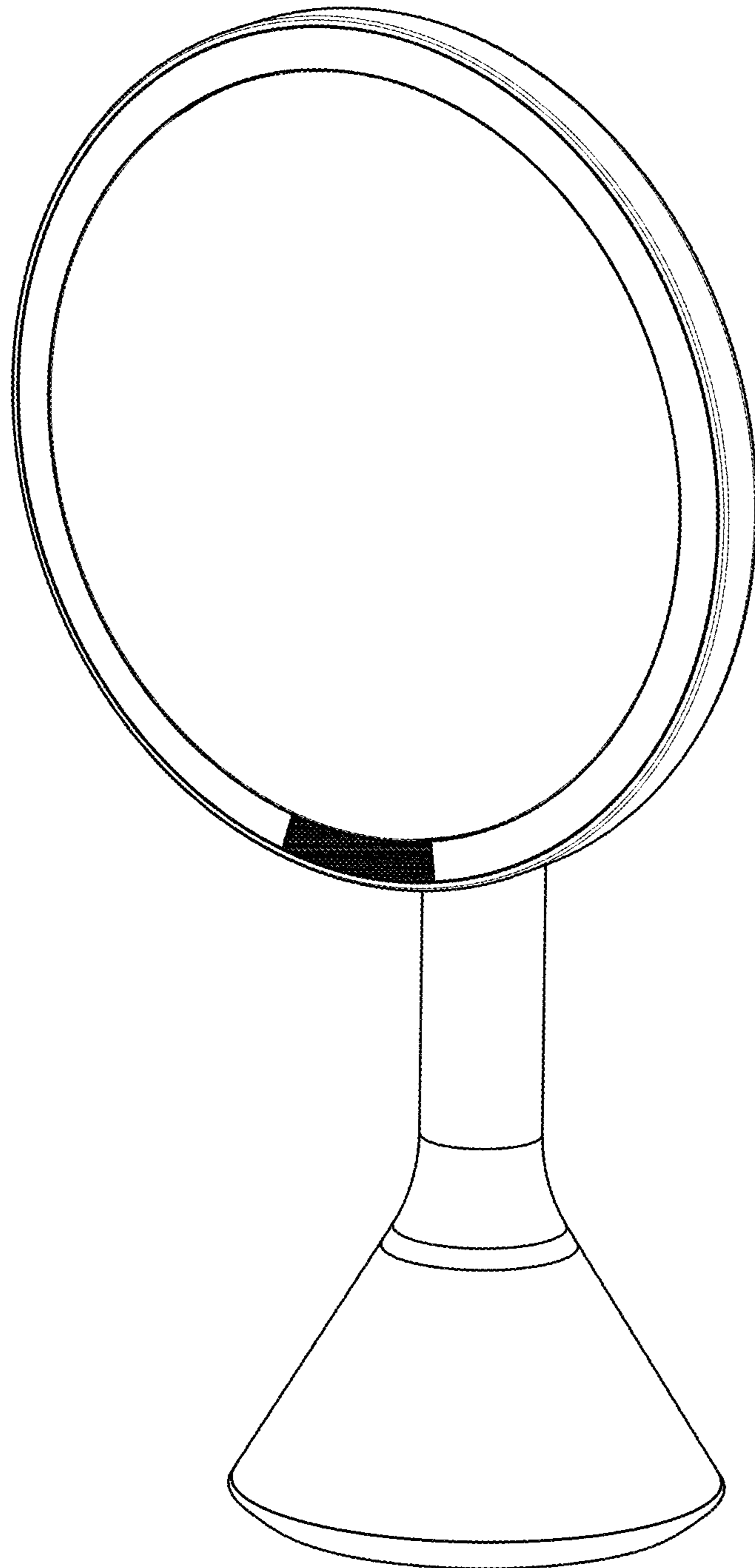


FIG. 8

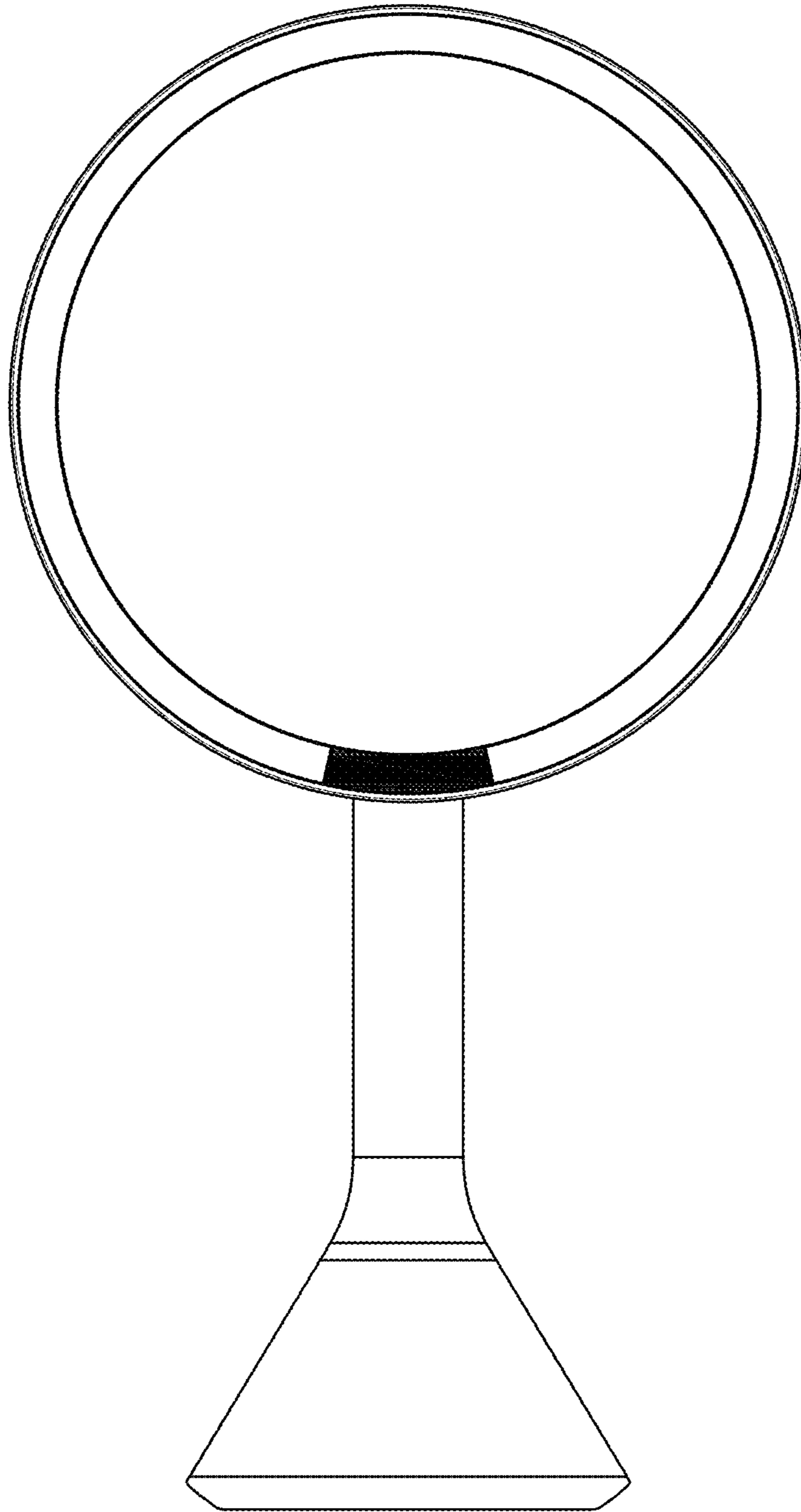


FIG. 9

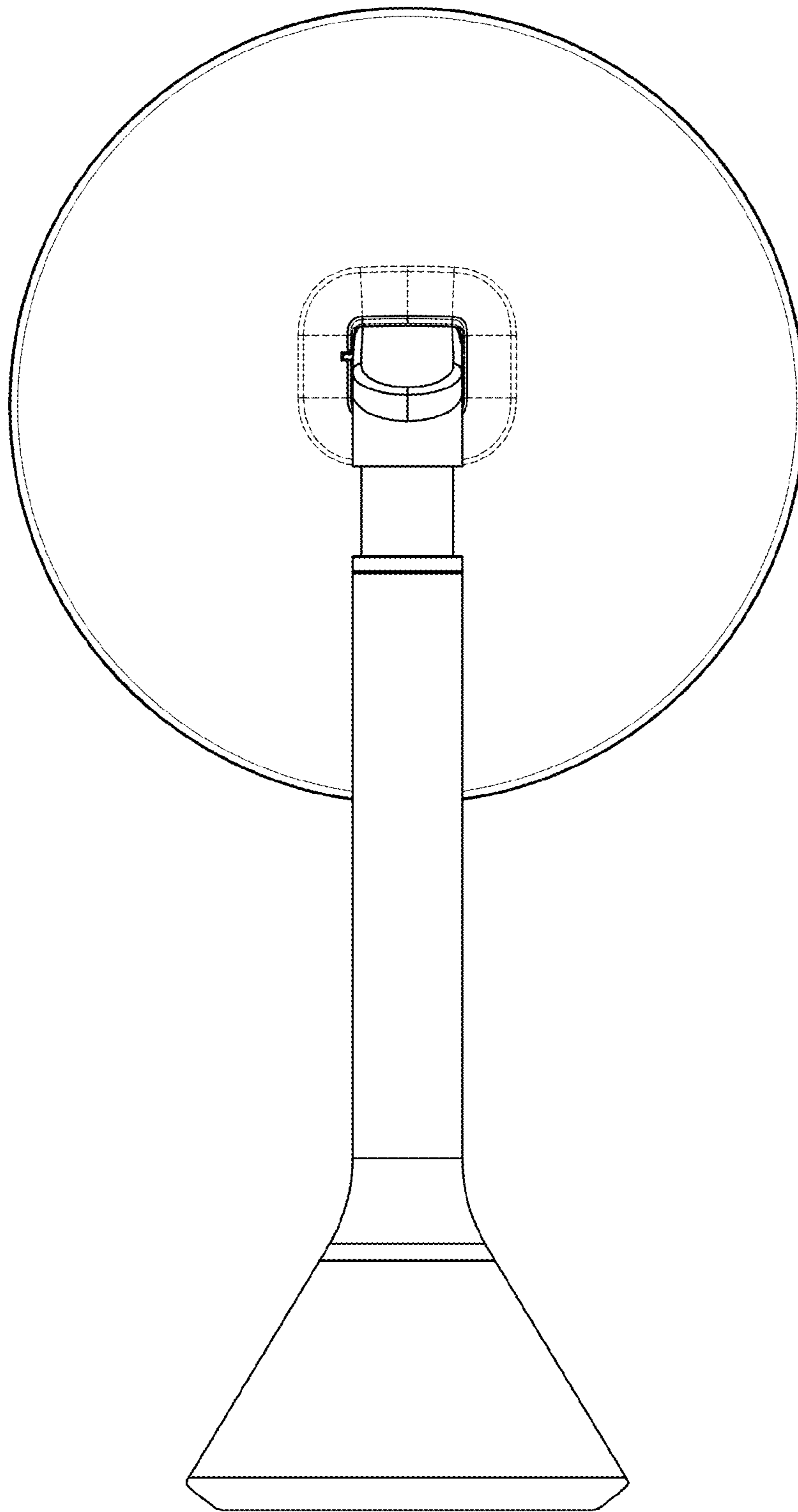


FIG. 10

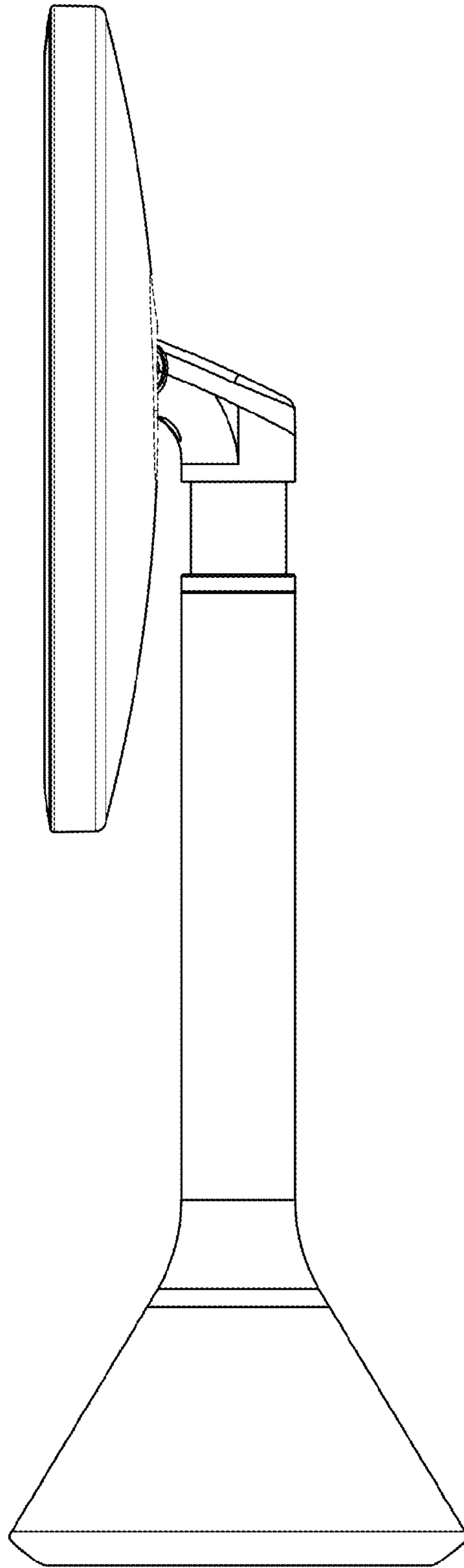


FIG. 11

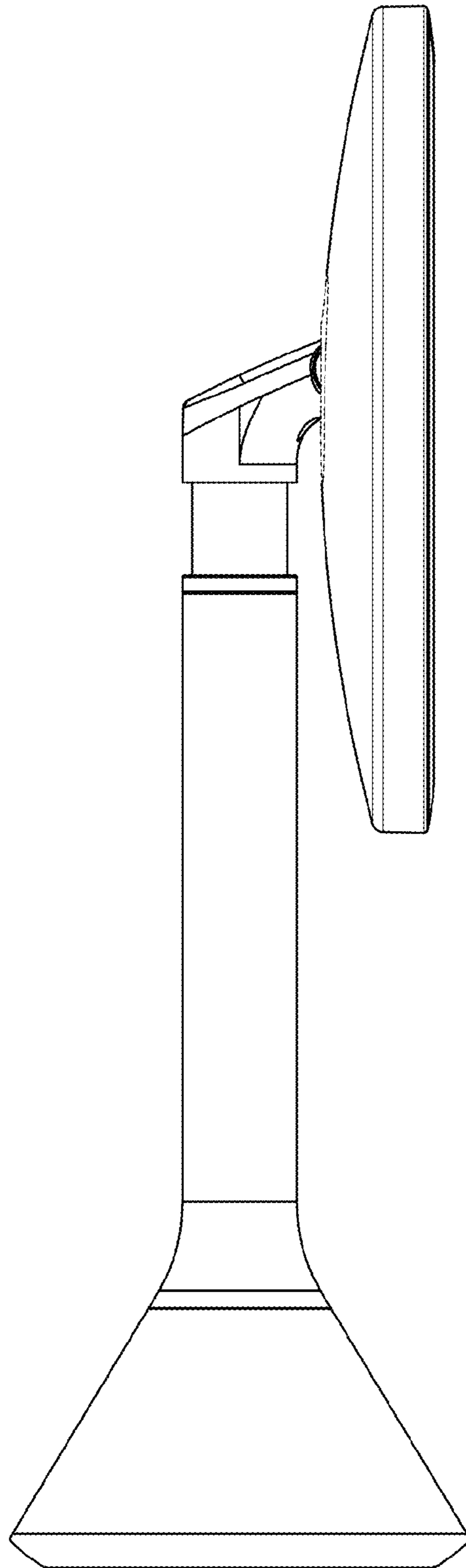


FIG. 12

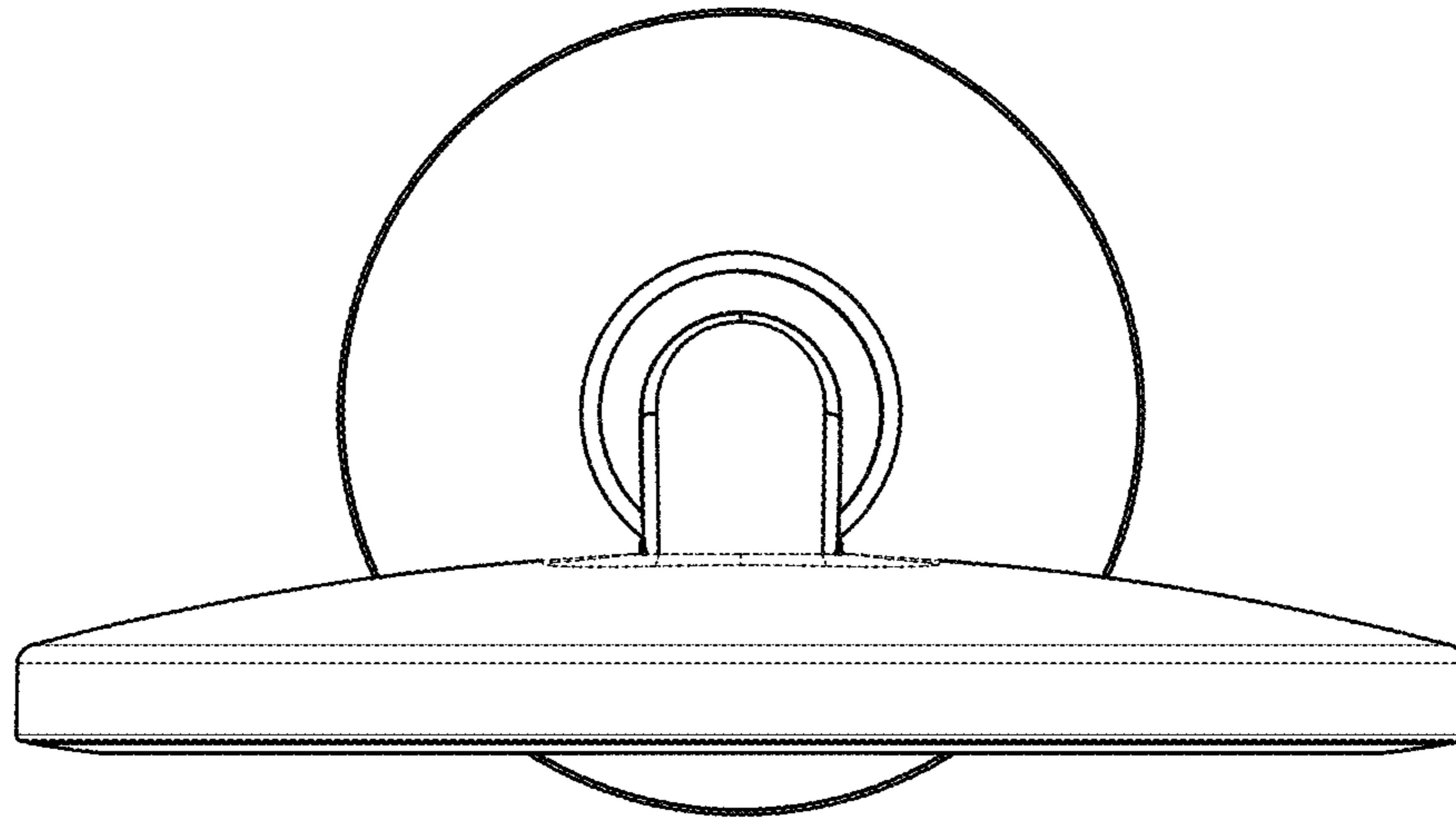


FIG. 13

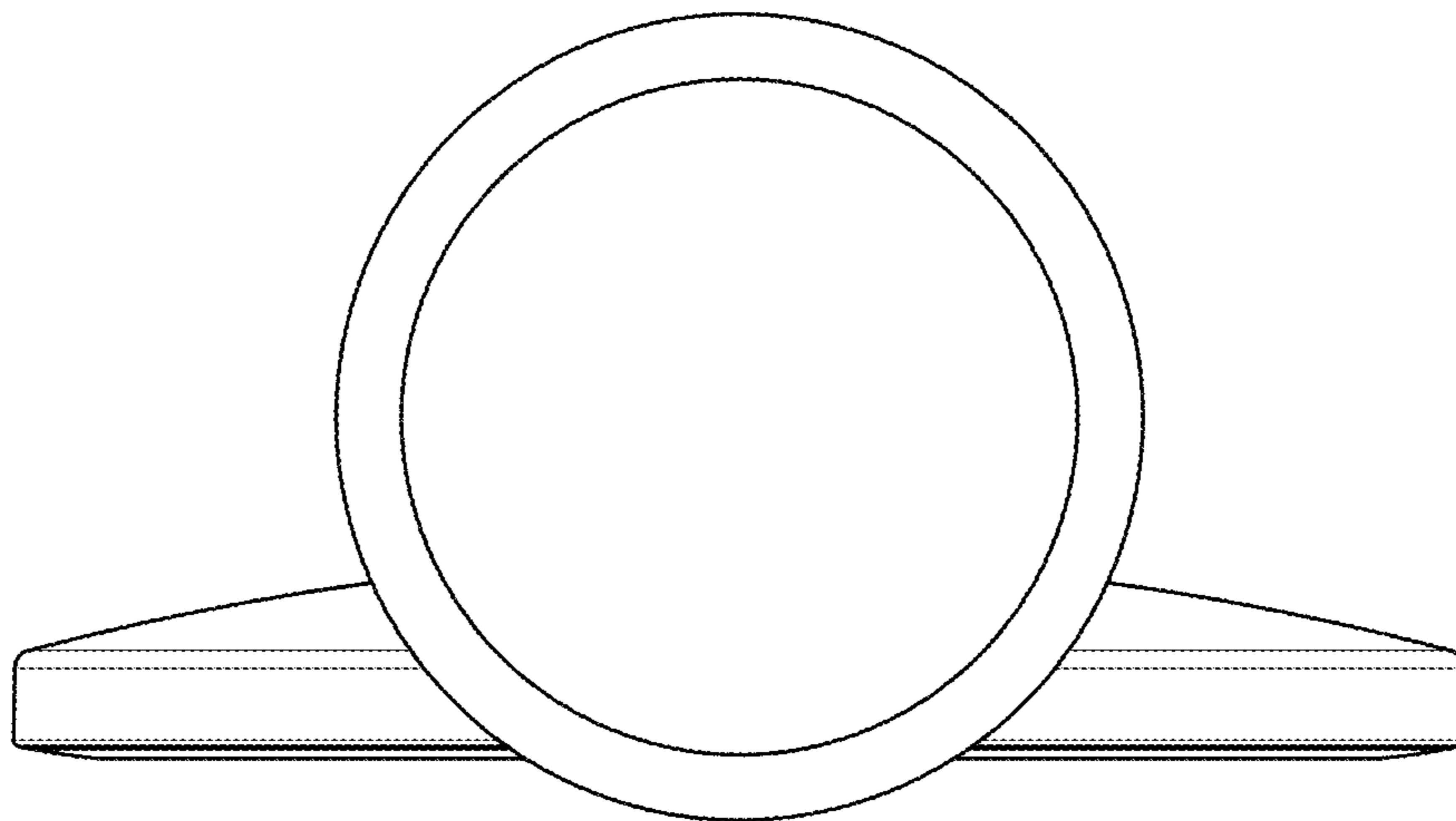


FIG. 14