



US00D737054S

(12) **United States Design Patent**  
**Winston**

(10) **Patent No.:** **US D737,054 S**

(45) **Date of Patent:** **\*\* Aug. 25, 2015**

(54) **CURVED SHOPPING BASKET**

(71) Applicant: **Daena Winston**, Medford, MA (US)

(72) Inventor: **Daena Winston**, Medford, MA (US)

(\*\*) Term: **14 Years**

(21) Appl. No.: **29/466,402**

(22) Filed: **Sep. 6, 2013**

(51) **LOC (10) Cl.** ..... **03-01**

(52) **U.S. Cl.**  
USPC ..... **D3/304**

(58) **Field of Classification Search**

USPC ..... D3/304–315; D9/424–425; D6/511,  
D6/672, 677; 220/485, 675–676, 760, 762,  
220/764, 768–769, 773; 206/503–507  
CPC ..... B65D 3/08; B65D 5/0209; B65D 21/0233  
See application file for complete search history.

(56) **References Cited**

**U.S. PATENT DOCUMENTS**

D326,141	S	*	5/1992	Evatt et al.	.....	D23/293.1
D410,306	S	*	5/1999	Delouvre et al.	.....	D32/37
D416,116	S	*	11/1999	Sofy	.....	D32/37
D438,010	S	*	2/2001	Drury et al.	.....	D3/307
D466,407	S	*	12/2002	Nance	.....	D9/424
D466,471	S	*	12/2002	Chen	.....	D12/407
D493,035	S	*	7/2004	Bergman	.....	D3/304
D501,886	S	*	2/2005	Chen et al.	.....	D19/85
D520,749	S	*	5/2006	Boutin	.....	D3/304
D557,413	S	*	12/2007	Buermann	.....	D24/123
D564,229	S	*	3/2008	Splain et al.	.....	D3/309
D575,061	S	*	8/2008	Titas et al.	.....	D3/304
D581,118	S	*	11/2008	Bergman	.....	D32/53.1
7,644,835	B2	*	1/2010	Bergman	.....	220/736

D616,688	S	*	6/2010	Hernandez et al.	.....	D6/553
D617,068	S	*	6/2010	Bechtold, Jr.	.....	D32/54
D618,414	S	*	6/2010	Bechtold, Jr.	.....	D32/54
D645,355	S	*	9/2011	D'Amato	.....	D9/522
D660,444	S	*	5/2012	Tran	.....	D24/204
D669,368	S	*	10/2012	Ehrmann	.....	D9/737
D688,044	S	*	8/2013	Brunner	.....	D3/304
D690,482	S	*	9/2013	Bergman et al.	.....	D32/54
D694,621	S	*	12/2013	McCarthy et al.	.....	D9/429
D697,281	S	*	1/2014	Bergman et al.	.....	D32/53.1
D709,619	S	*	7/2014	Tran	.....	D24/204
D710,701	S	*	8/2014	Lai	.....	D9/456
D713,210	S	*	9/2014	Pryor	.....	D7/587
D717,455	S	*	11/2014	Tran	.....	D24/204
D718,532	S	*	12/2014	Wang	.....	D3/304
2010/0108686	A1	*	5/2010	Reichel	.....	220/556

\* cited by examiner

*Primary Examiner* — Kelley Donnelly

(74) *Attorney, Agent, or Firm* — QuickPatents; Kevin Prince

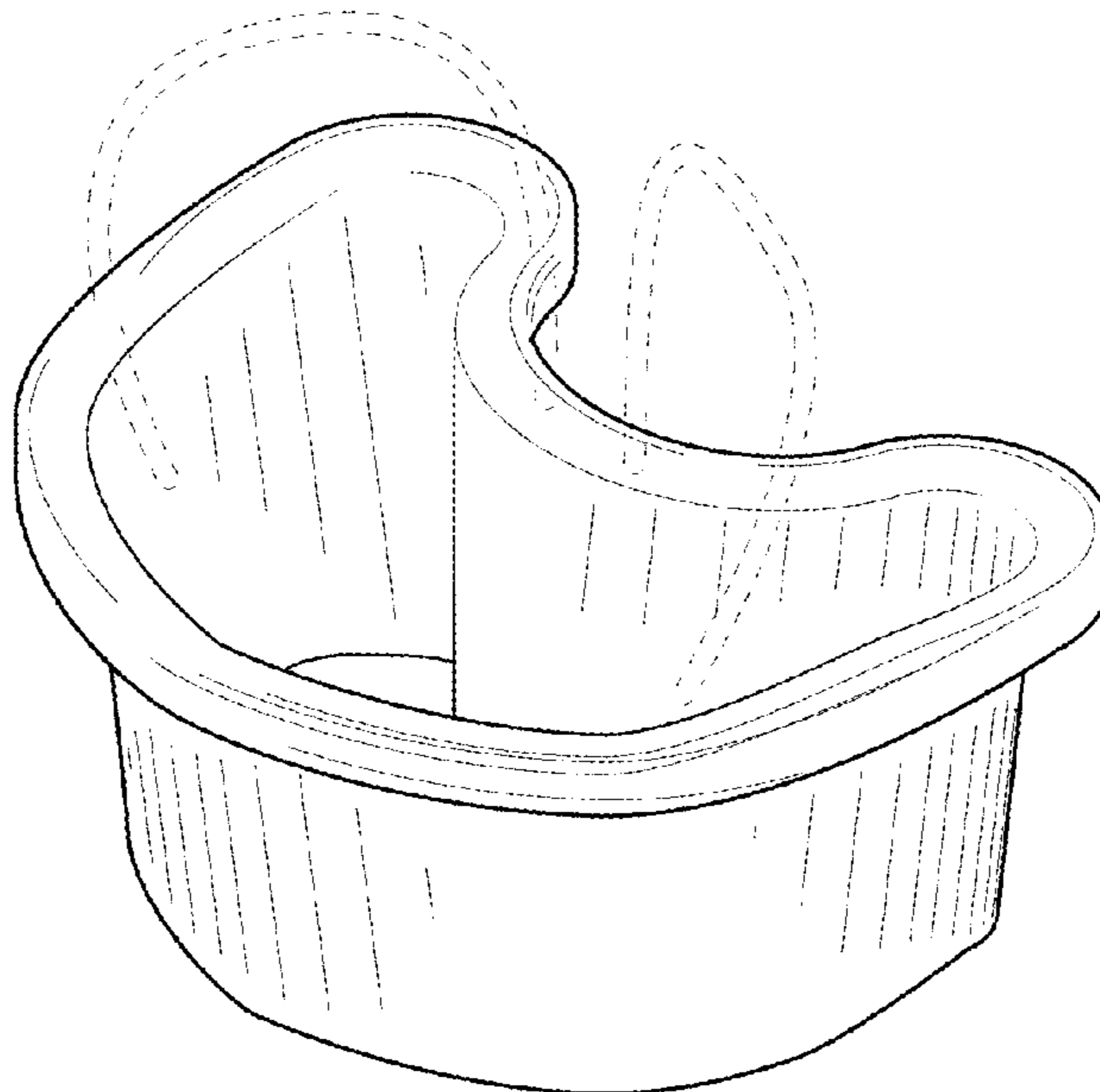
(57) **CLAIM**

I claim the ornamental design for a curved shopping basket, as shown and described.

**DESCRIPTION**

FIG. 1 is a perspective view of a curved shopping basket, showing my new design;  
FIG. 2 is a front elevational view thereof;  
FIG. 3 is a rear elevational view thereof;  
FIG. 4 is a right-side elevational view thereof, the left-side elevational view being a mirror image thereof;  
FIG. 5 is a top plan view thereof; and,  
FIG. 6 is a bottom plan view thereof.  
The broken lines showing a pair of handles in FIG. 1 depict environmental matter and form no part of the claimed design.

**1 Claim, 3 Drawing Sheets**



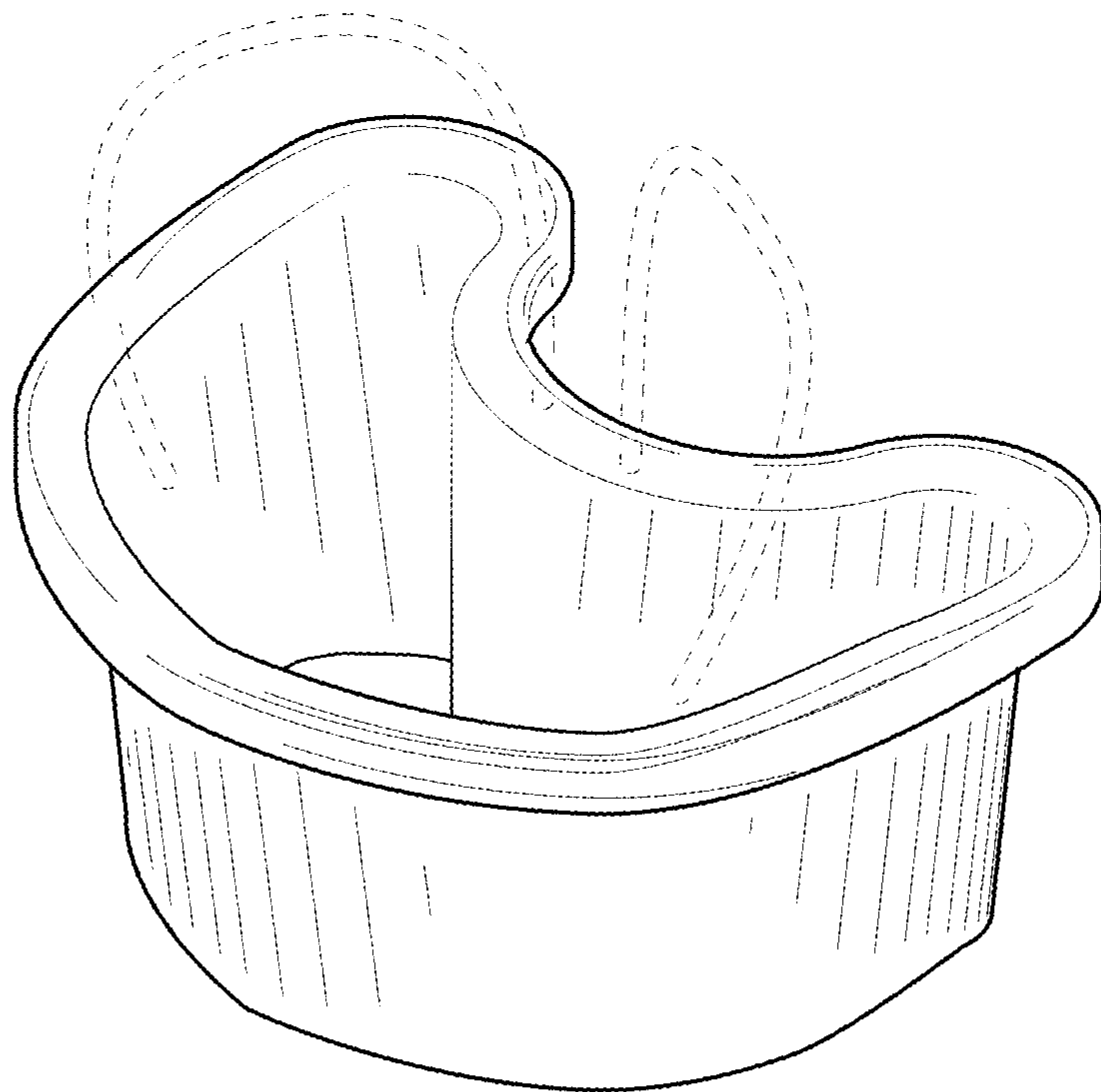


FIG. 1

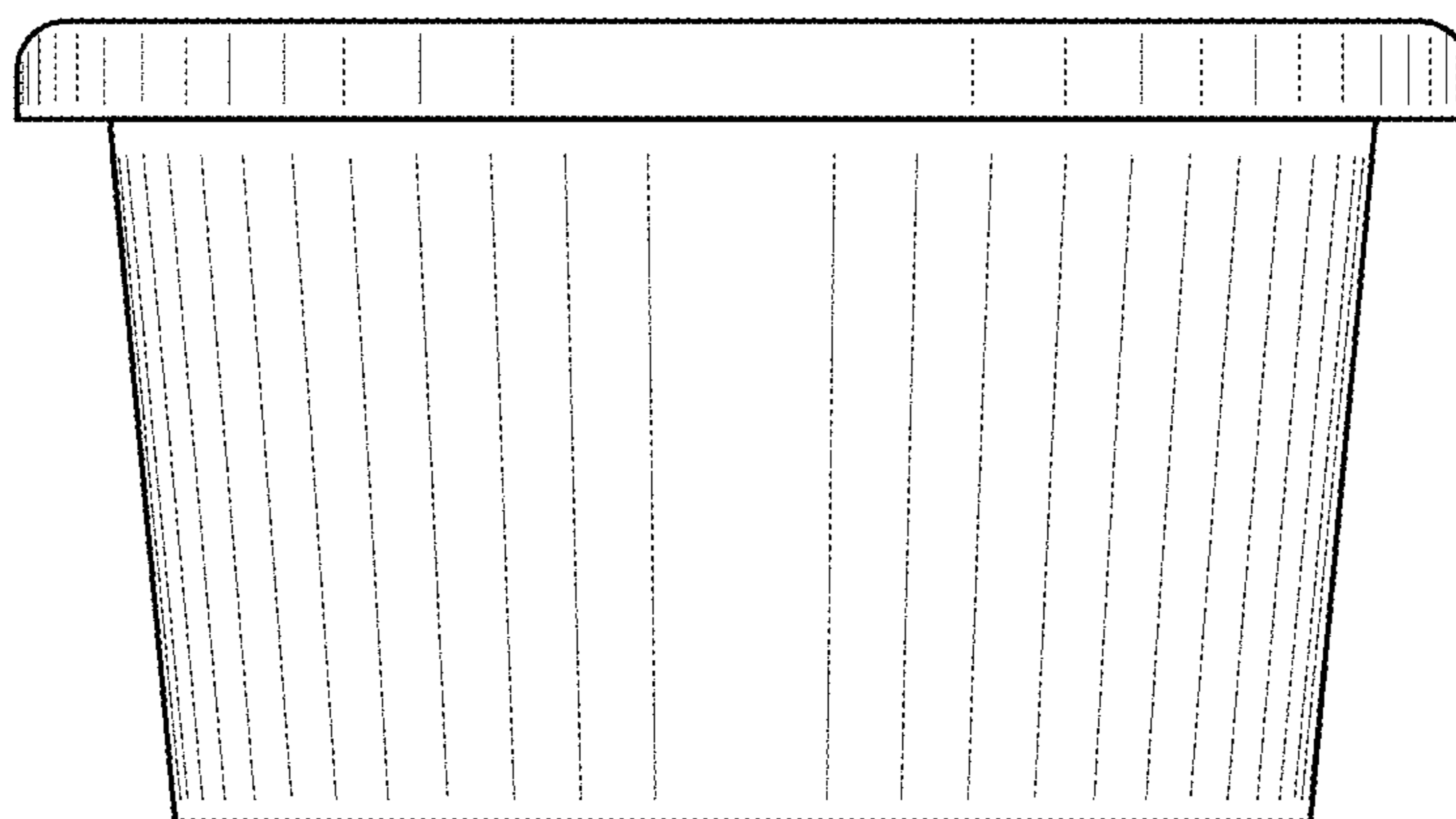


FIG. 2

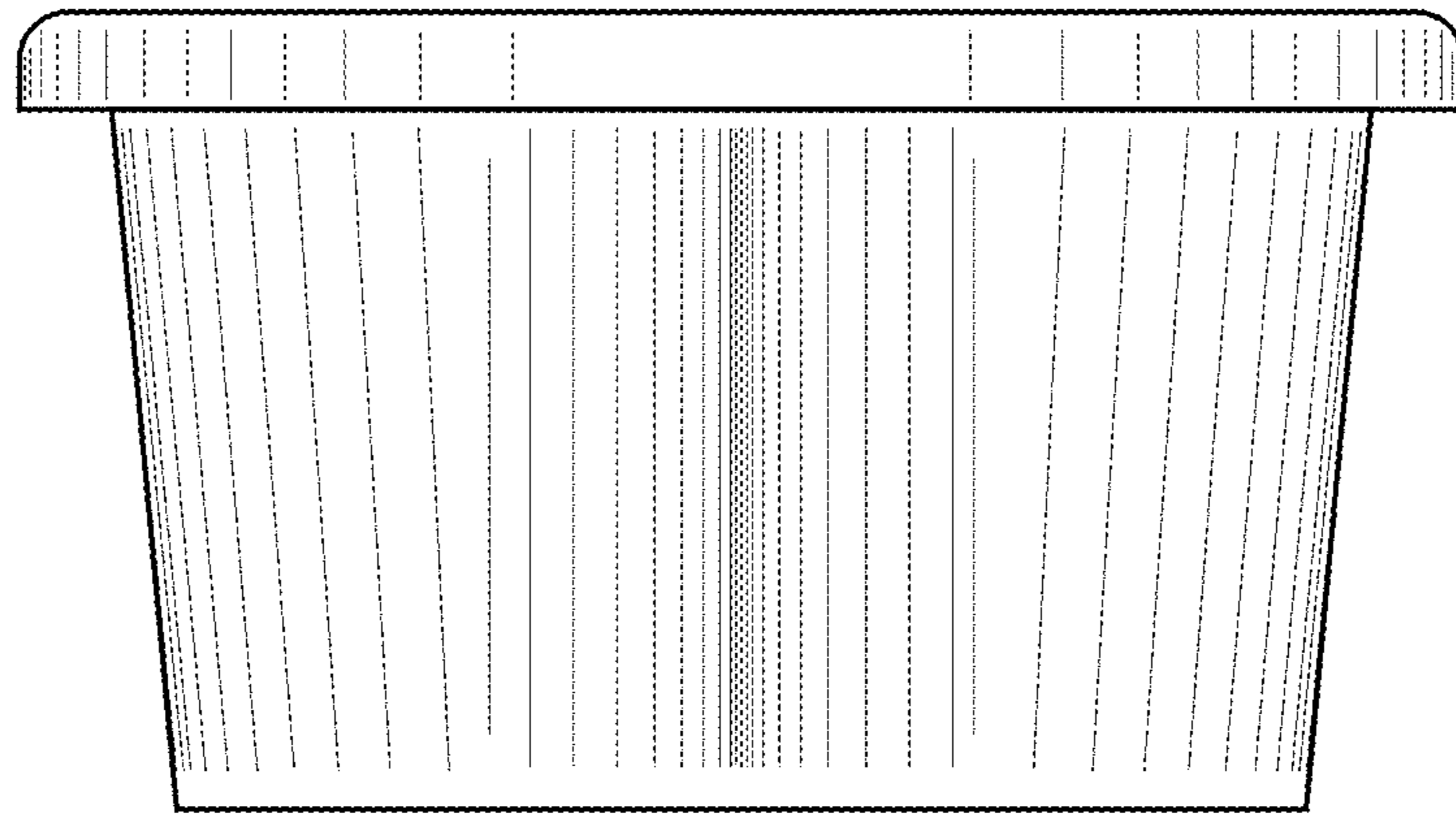


FIG. 3

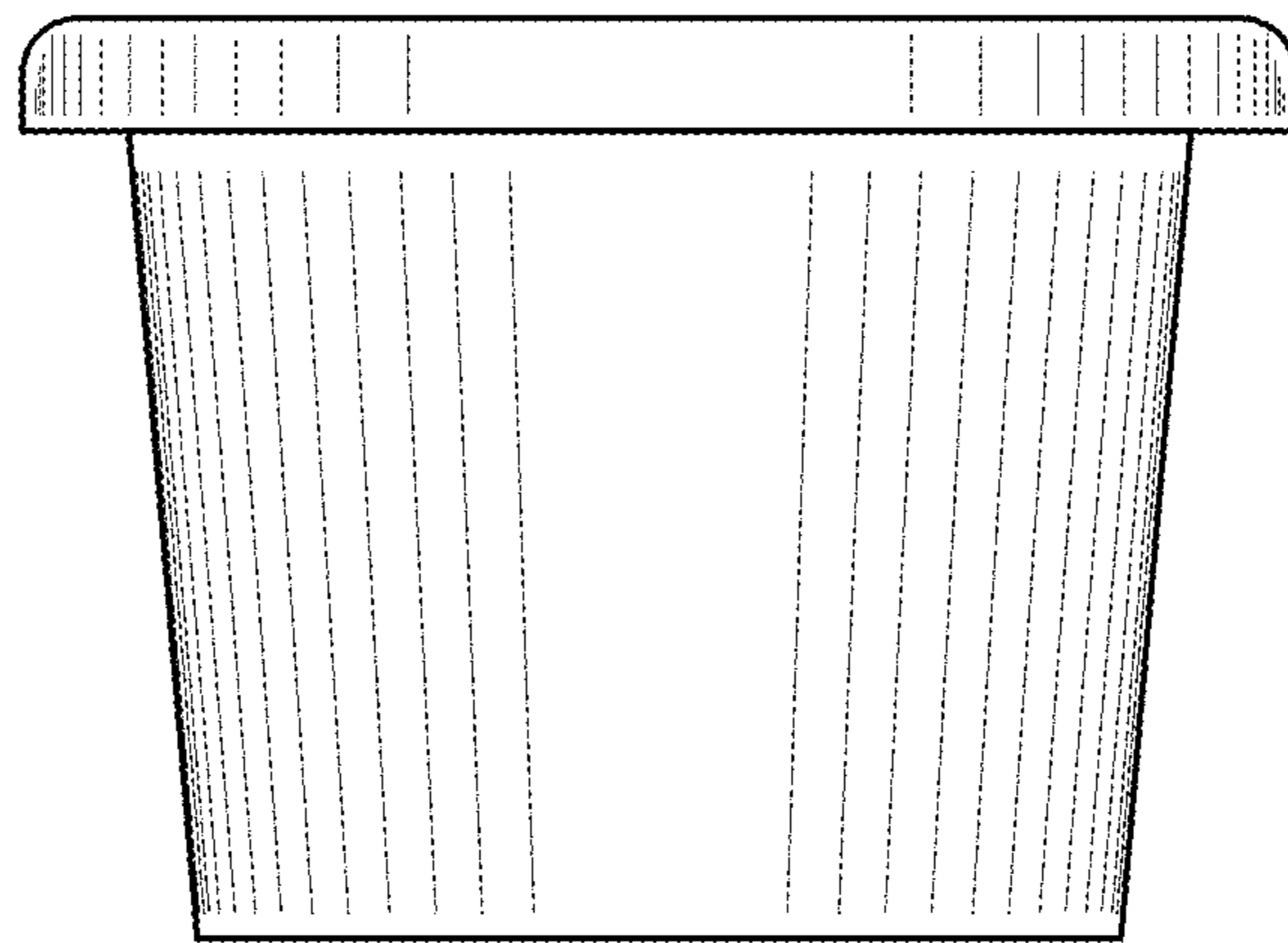


FIG. 4

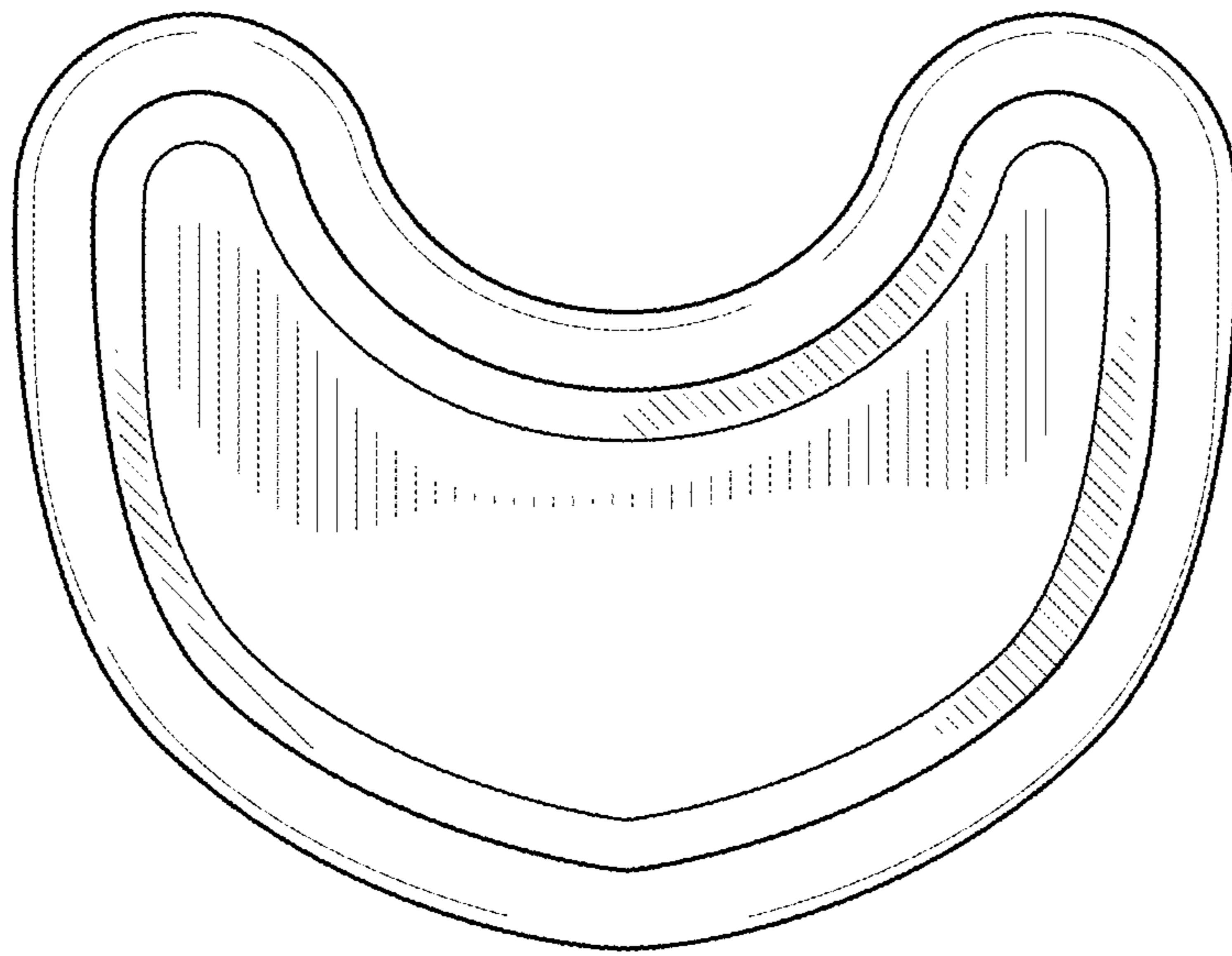


FIG. 5

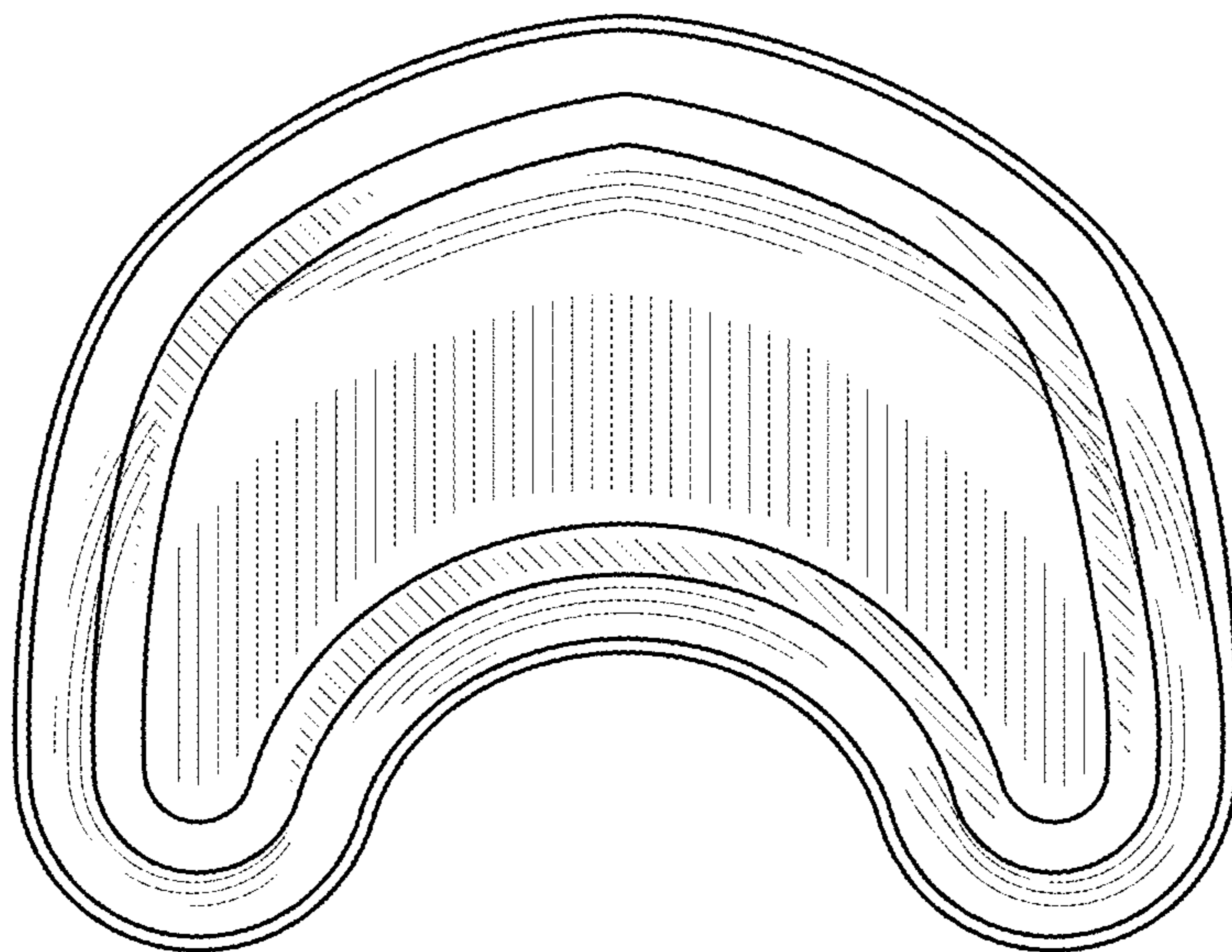


FIG. 6