



US00D737052S

(12) **United States Design Patent**
James et al.

(10) **Patent No.:** **US D737,052 S**
(45) **Date of Patent:** **** Aug. 25, 2015**

(54) **PORTABLE CARRIER FOR REUSABLE GROCERY-STYLE BAGS**

(71) Applicants: **Gregory D. James**, Austin, TX (US);
Scott A. Chadwell, Houston, TX (US)

(72) Inventors: **Gregory D. James**, Austin, TX (US);
Scott A. Chadwell, Houston, TX (US)

(73) Assignee: **BALANCED EARTH SOLUTIONS, LLC**, Austin, TX (US)

(**) Term: **14 Years**

(21) Appl. No.: **29/466,153**

(22) Filed: **Sep. 4, 2013**

(51) **LOC (10) Cl.** **03-01**

(52) **U.S. Cl.**
USPC **D3/300**

(58) **Field of Classification Search**
USPC D3/300, 273, 303, 244, 232-234;
206/554; 224/925; 383/22, 24, 37-38,
383/40-41, 43, 67, 75, 2; 150/107
See application file for complete search history.

(56) **References Cited**

U.S. PATENT DOCUMENTS

2,808,091	A *	10/1957	Cumbler	383/24
5,341,933	A *	8/1994	Willows	206/554
5,427,453	A	6/1995	Cloessner	
D387,555	S *	12/1997	Miller	D3/244
D437,481	S *	2/2001	Vazquez	D3/244
D453,876	S *	2/2002	Moor et al.	D3/300
D494,366	S *	8/2004	Gognat et al.	D3/300
D537,627	S *	3/2007	Vazquez	D3/244
D586,554	S *	2/2009	Baptiste et al.	D3/233
2012/0241463	A1	9/2012	Zimmerman	

OTHER PUBLICATIONS

International Search Report of the International Searching Authority for international application PCT/US2014/050459 dated Nov. 18, 2014.

Written Opinion of the International Searching Authority for international application PCT/US2014/050459 dated Nov. 18, 2014.

* cited by examiner

Primary Examiner — Catheri Oliver-Garcia

(74) *Attorney, Agent, or Firm* — Basil M. Angelo

(57) **CLAIM**

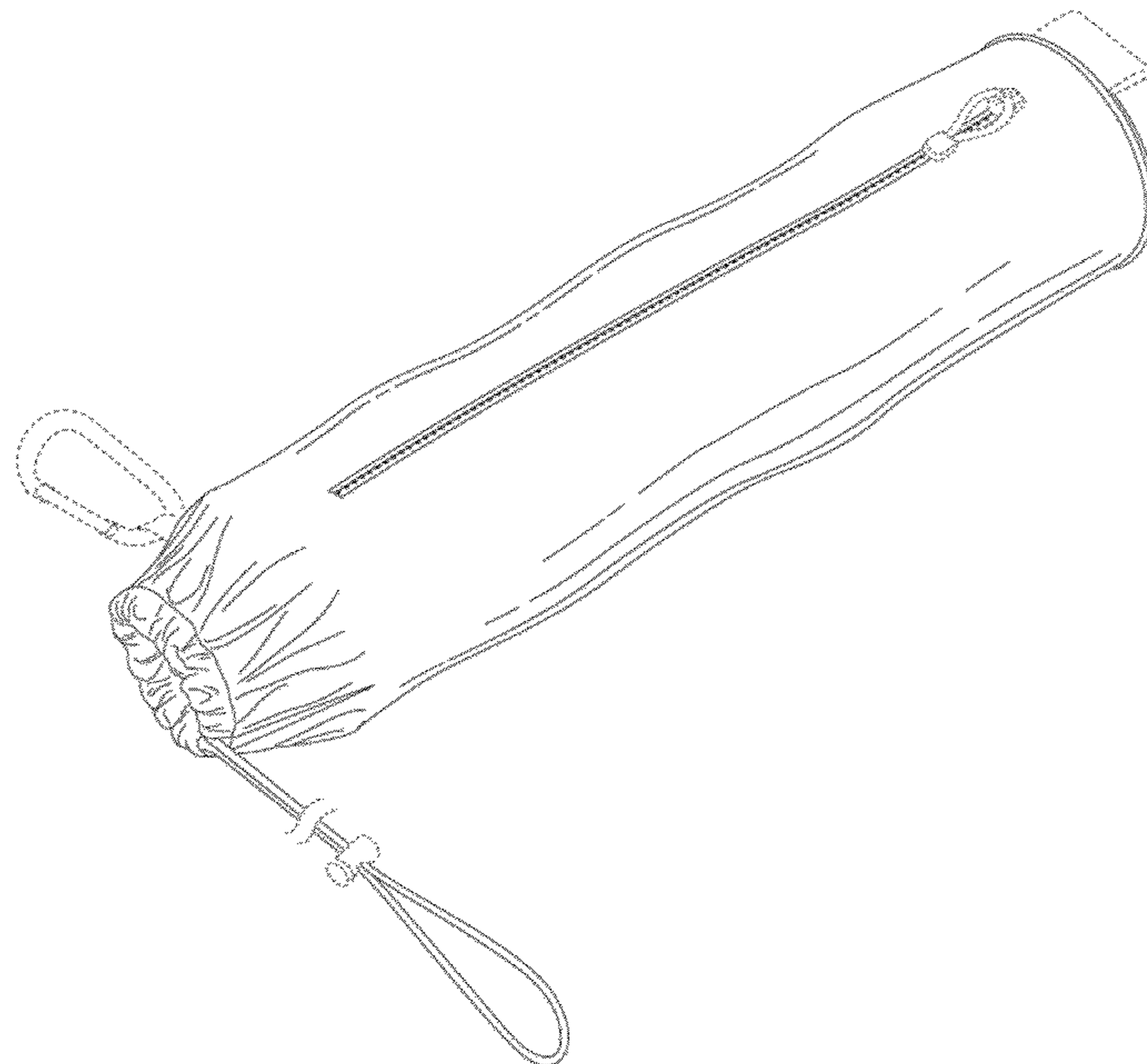
The ornamental design for a portable carrier for reusable grocery-style bags, as shown.

DESCRIPTION

FIG. 1 shows a front perspective view of a portable carrier for reusable grocery-style bags showing our new design; FIG. 2 shows a front perspective view thereof; FIG. 3 shows a rear perspective view thereof; FIG. 4 shows a front view thereof; FIG. 5 shows a rear view thereof; FIG. 6 shows a left side view thereof; FIG. 7 shows a right side view thereof; FIG. 8 shows a top view thereof; FIG. 9 shows a top view thereof; and, FIG. 10 shows a bottom view thereof.

The broken line showing of environment in the drawings is included for the purpose of illustrating only and forms no part of the claimed design. The carrier strap is shown broken away to indicate that no particular length is claimed.

1 Claim, 8 Drawing Sheets



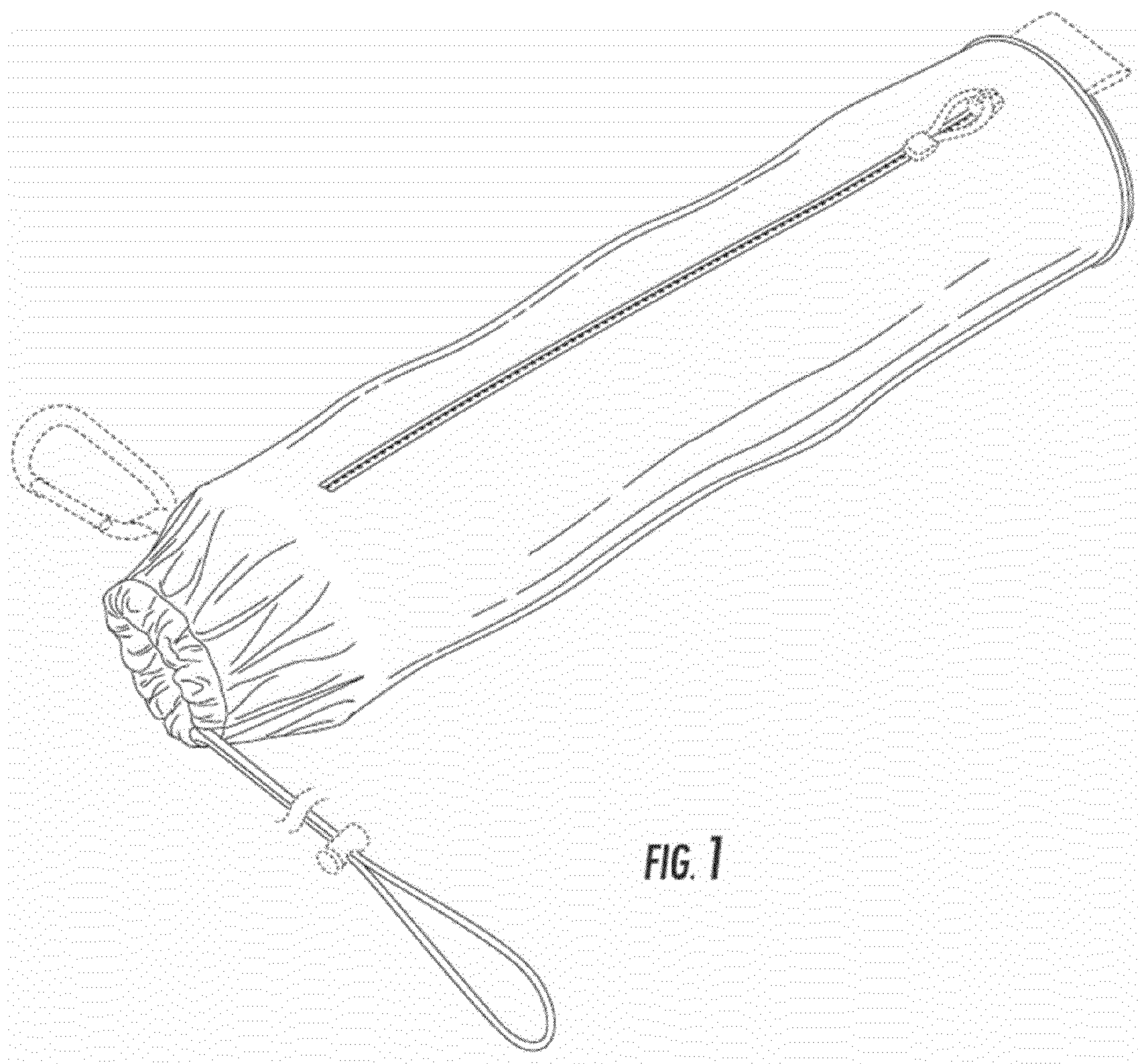


FIG. 1

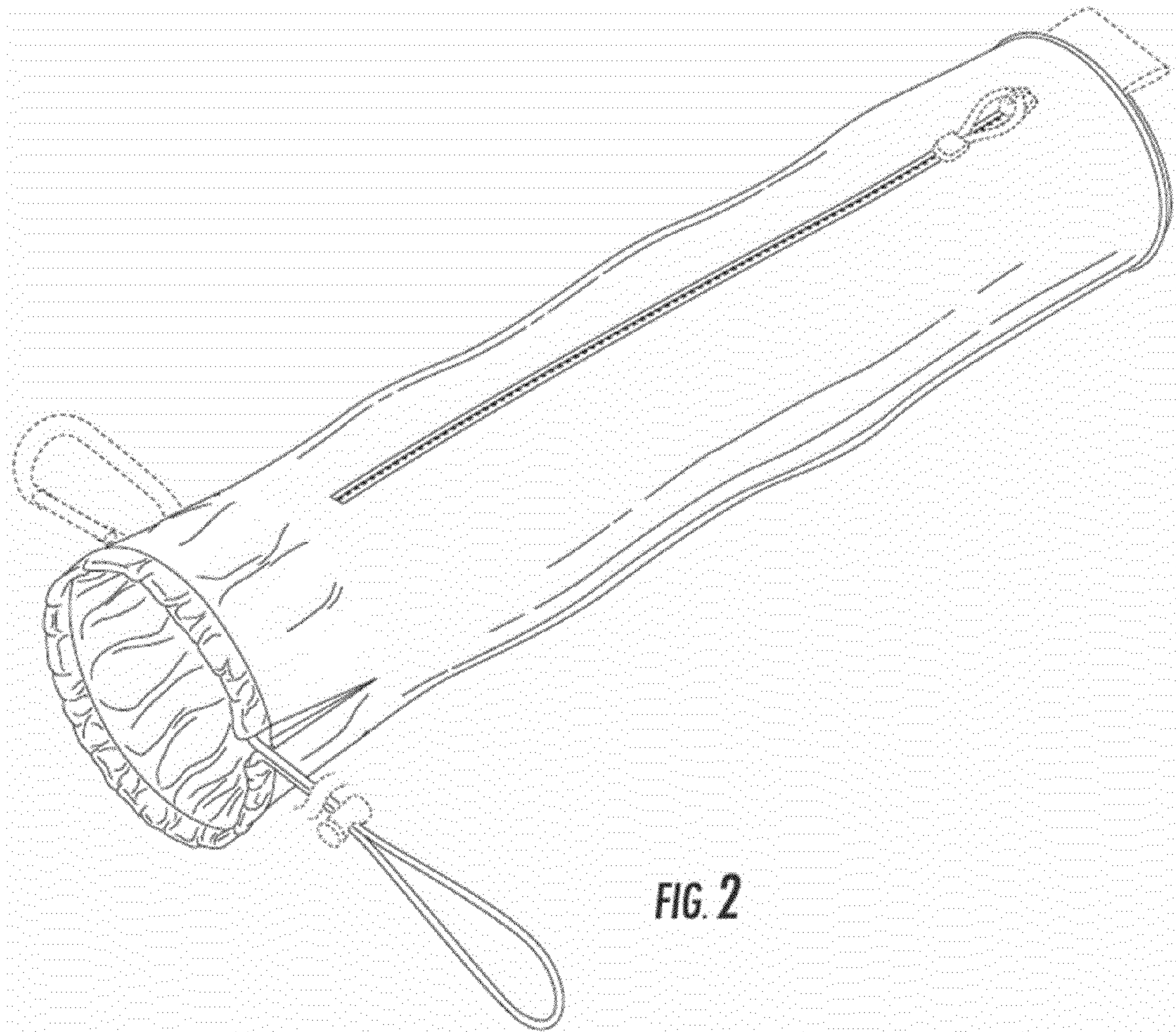


FIG. 2

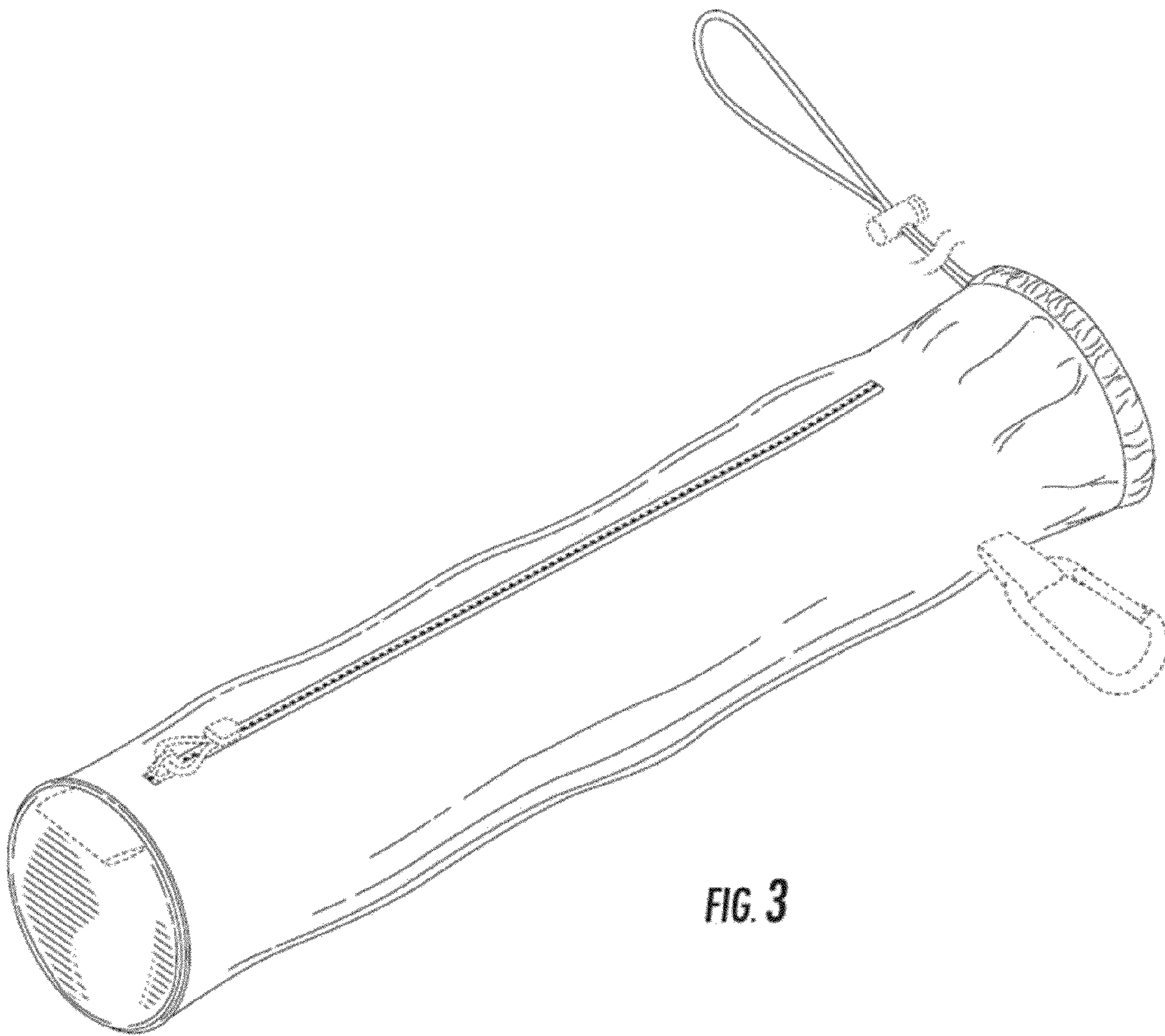


FIG. 3

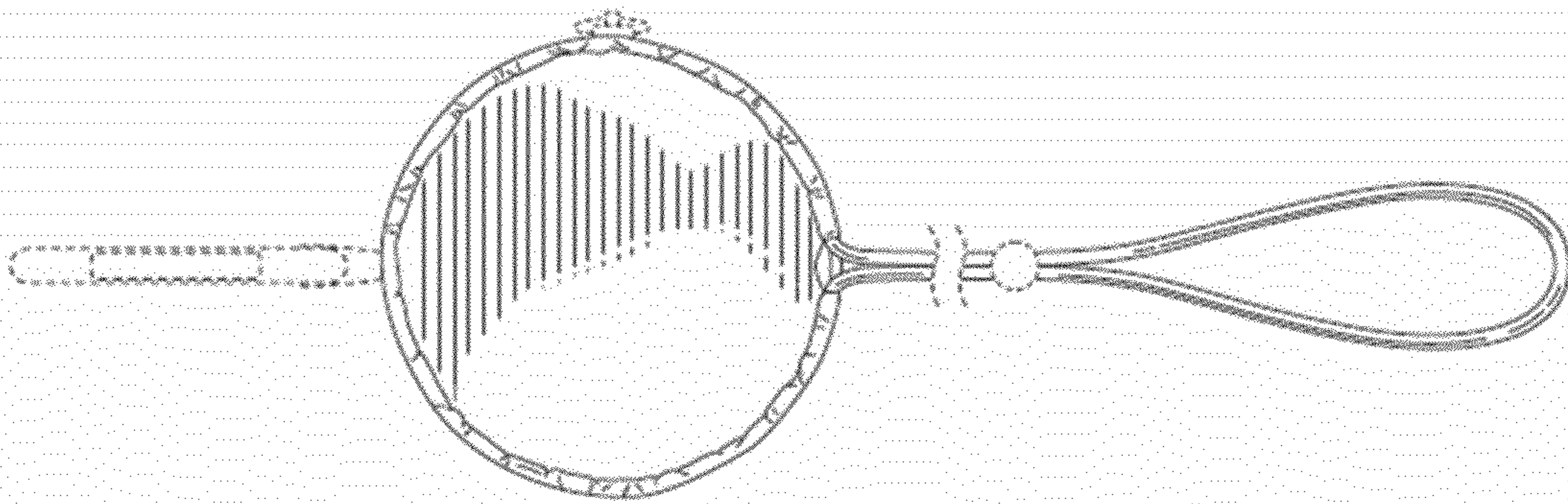


FIG. 4

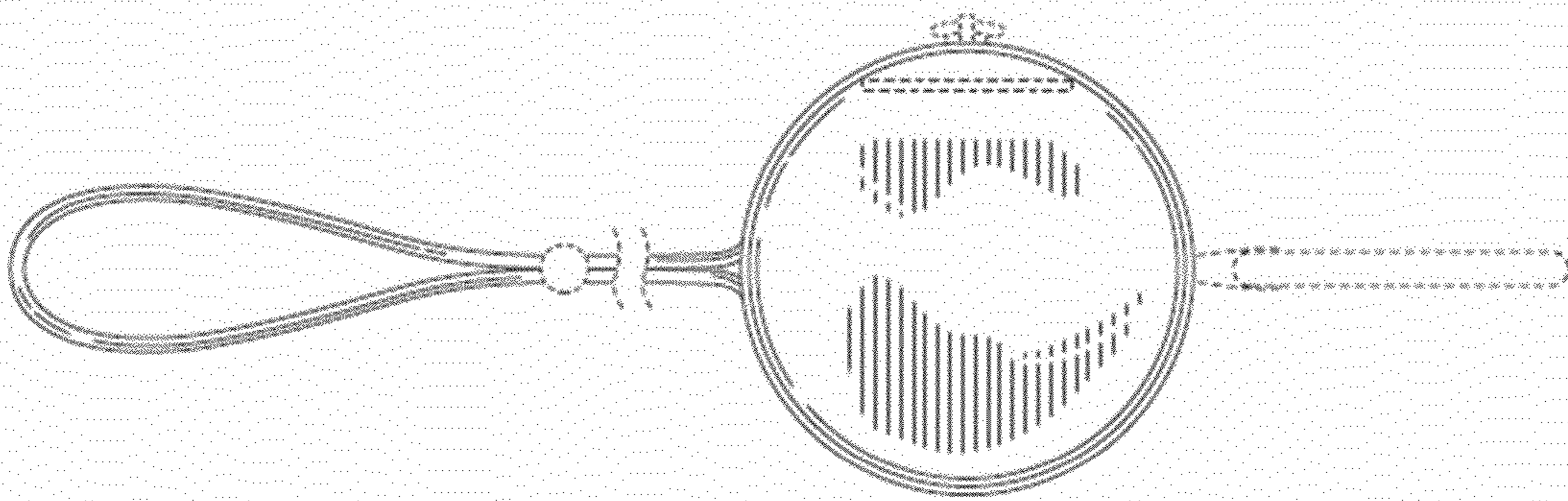


FIG. 5

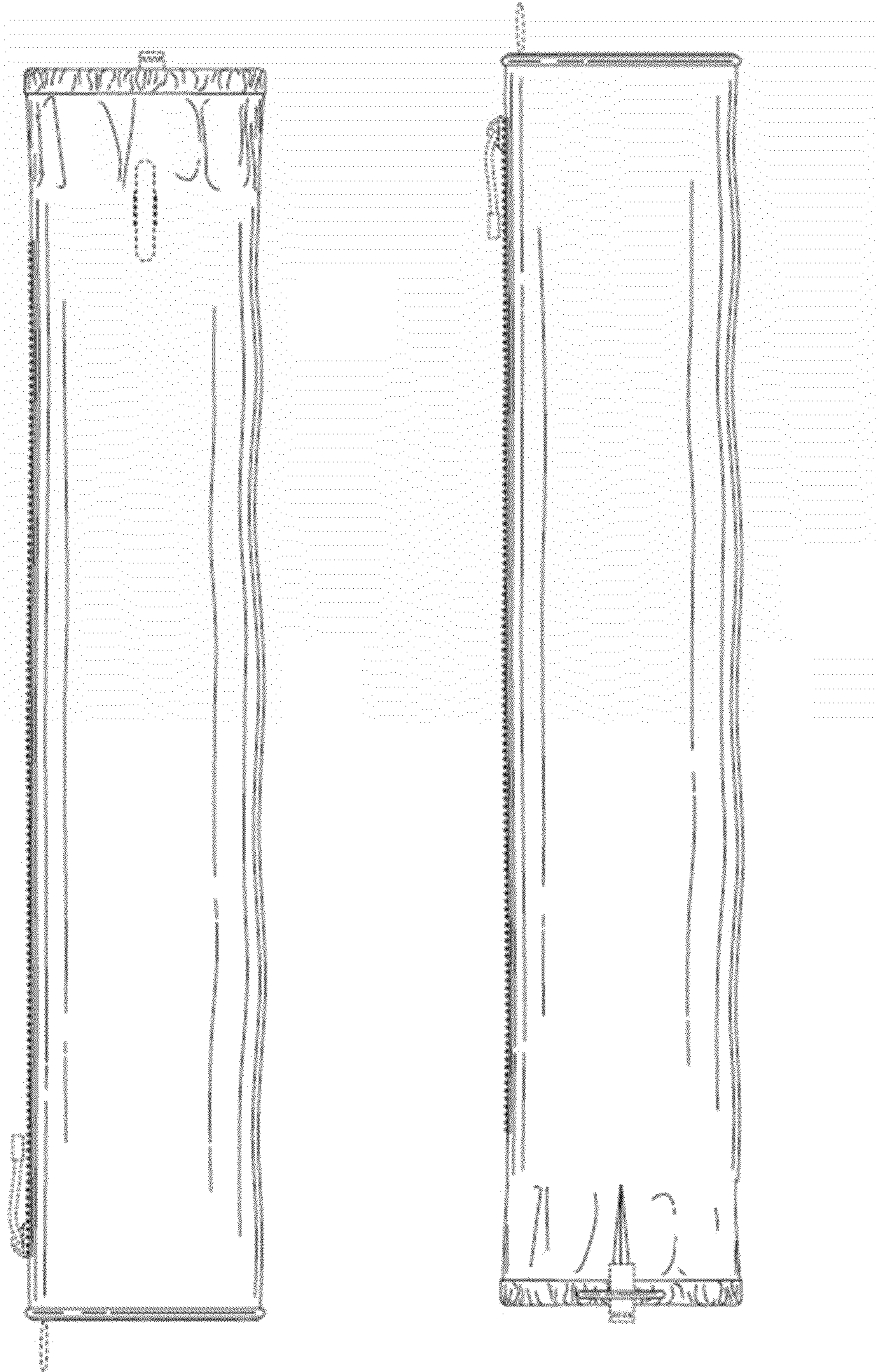


FIG. 6

FIG. 7

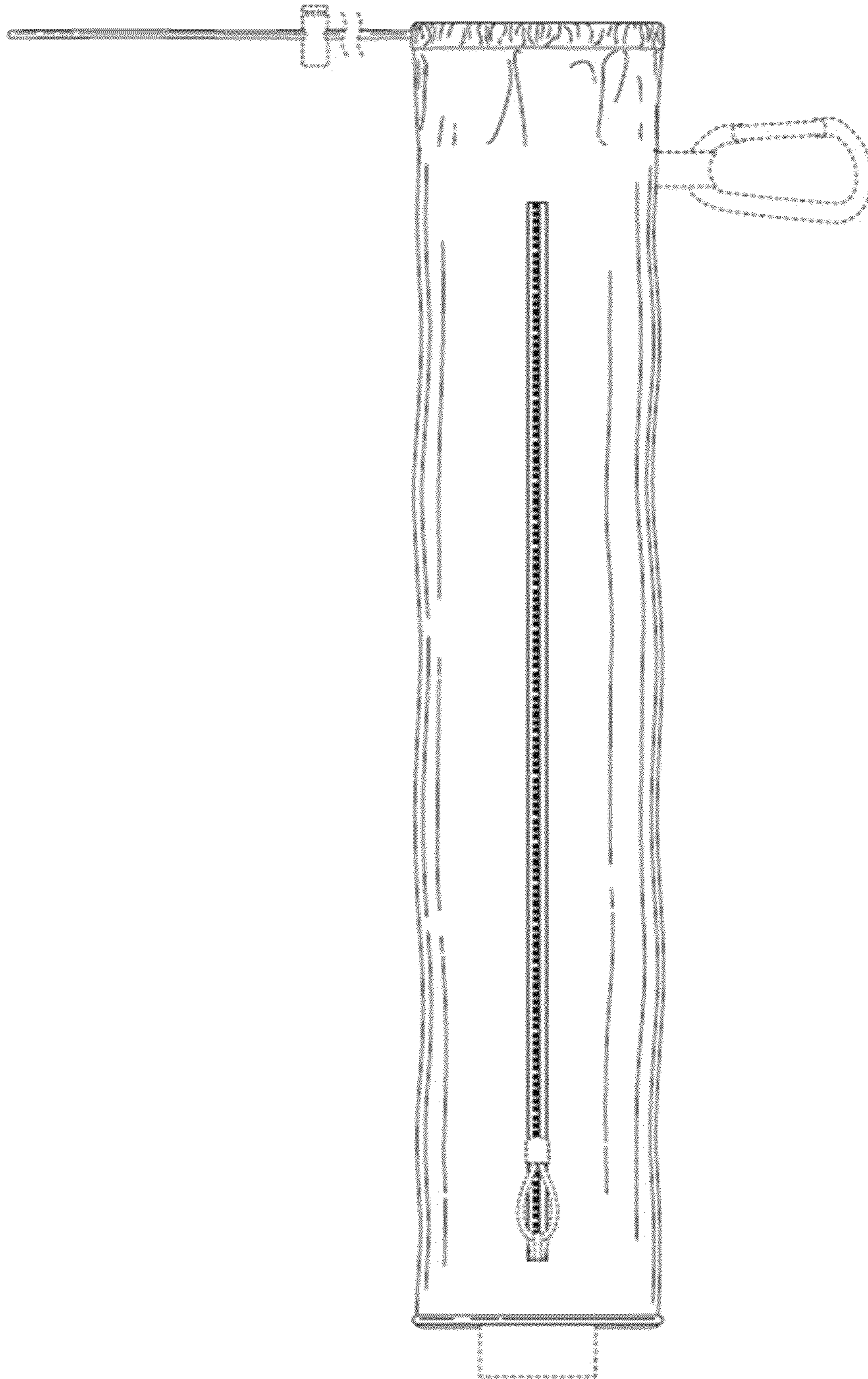
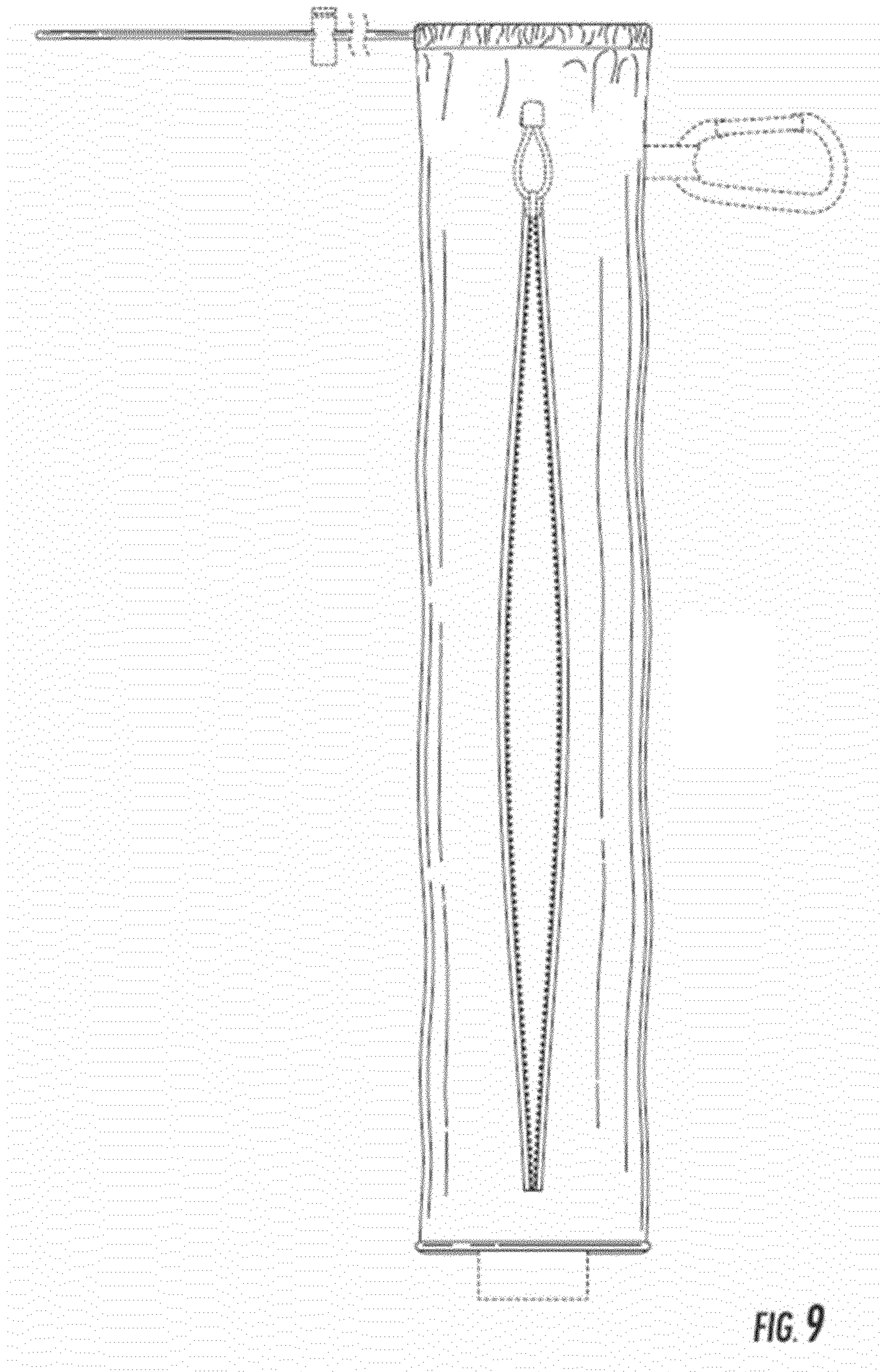


FIG. 8



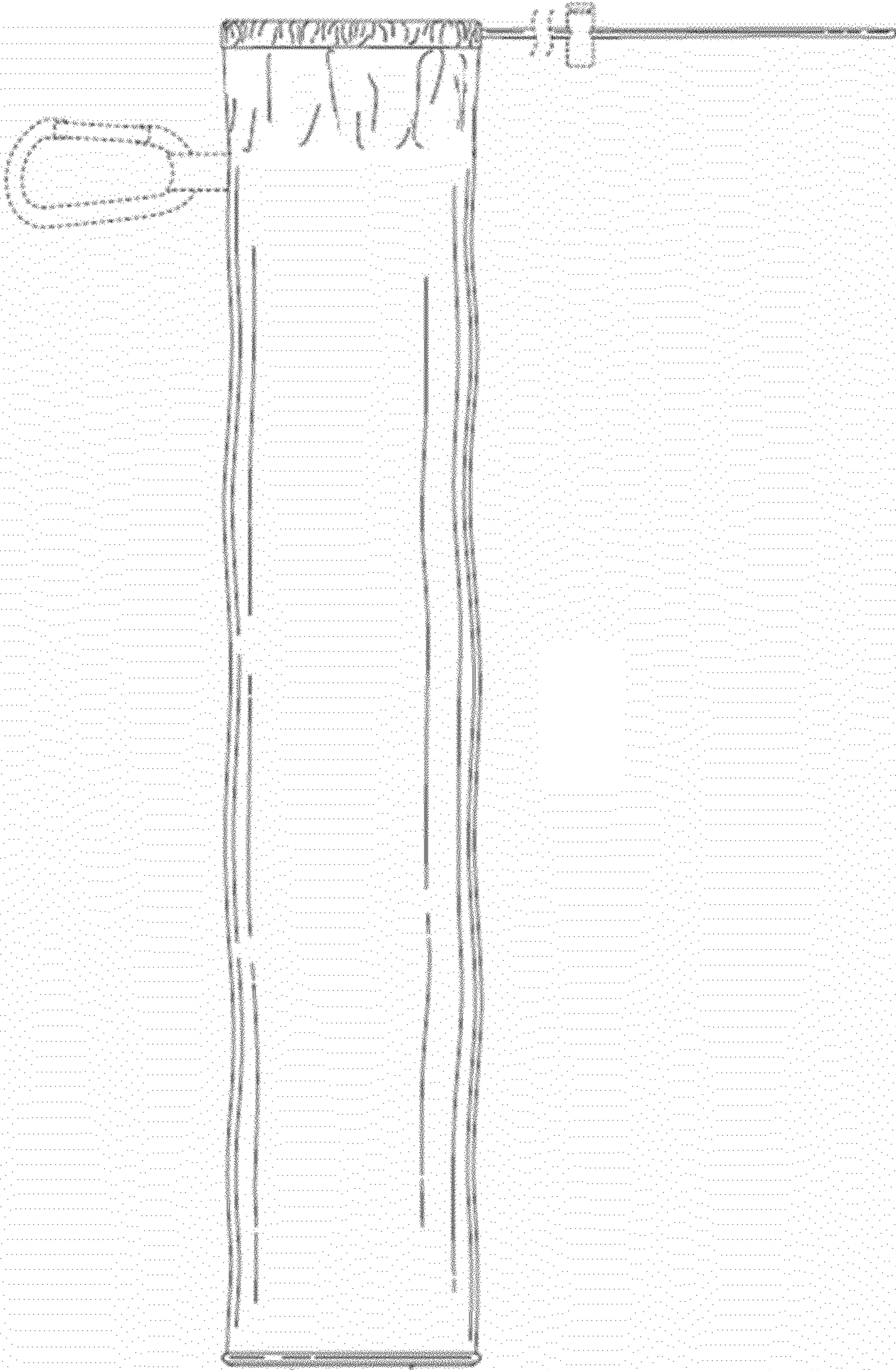


FIG. 10