



US00D737049S

(12) **United States Design Patent**
Seip et al.

(10) **Patent No.:** **US D737,049 S**

(45) **Date of Patent:** **** Aug. 25, 2015**

(54) **SHOULDER BAG WITH PORTABLE SWING**

(71) Applicants: **Sierra Katherine Seip**, Brooklyn, NY (US); **Alison Edana Uljee**, Brooklyn, NY (US)

(72) Inventors: **Sierra Katherine Seip**, Brooklyn, NY (US); **Alison Edana Uljee**, Brooklyn, NY (US)

(**) Term: **14 Years**

(21) Appl. No.: **29/439,366**

(22) Filed: **Dec. 10, 2012**

(51) **LOC (10) Cl.** **03-01**

(52) **U.S. Cl.**

USPC **D3/226**

(58) **Field of Classification Search**

USPC D3/232, 233, 226, 245; 150/103, 105, 150/115; 190/110, 112, 105, 115, 118-119; 383/2, 4, 117; 224/610, 627, 645

See application file for complete search history.

(56) **References Cited**

U.S. PATENT DOCUMENTS

D363,599 S *	10/1995	Gaffin	D3/246
D389,642 S	1/1998	Nadel		
D447,625 S	9/2001	Vazquez		
D481,203 S *	10/2003	Vazquez	D3/232
D527,177 S *	8/2006	Pillet	D3/246
D536,870 S *	2/2007	Sabbagh et al.	D3/233
7,178,567 B2 *	2/2007	Mangano	150/103
D657,554 S *	4/2012	Dolce et al.	D3/232

* cited by examiner

Primary Examiner — Catheri Oliver-Garcia

(74) *Attorney, Agent, or Firm* — Lisa Foundation Patent Law Clinic at Arizona State University

(57) **CLAIM**

The ornamental design for a shoulder bag with portable swing, as shown and described.

DESCRIPTION

FIG. 1 is a top perspective view of the shoulder bag with portable swing in accordance with the present design.

FIG. 2 is a bottom view of the shoulder bag with portable swing.

FIG. 3 is a top view of the shoulder bag with portable swing.

FIG. 4 is a left side view of the shoulder bag with portable swing, the right side view is a mirror image thereof.

FIG. 5 is a front view of the shoulder bag with portable swing in.

FIG. 6 is a rear view of the shoulder bag with portable swing in.

FIG. 7 is a bottom view of an alternative embodiment of the shoulder bag with portable swing as shown in FIG. 2.

FIG. 8 is a top view of an alternative embodiment of the shoulder bag with portable swing as shown in FIG. 3.

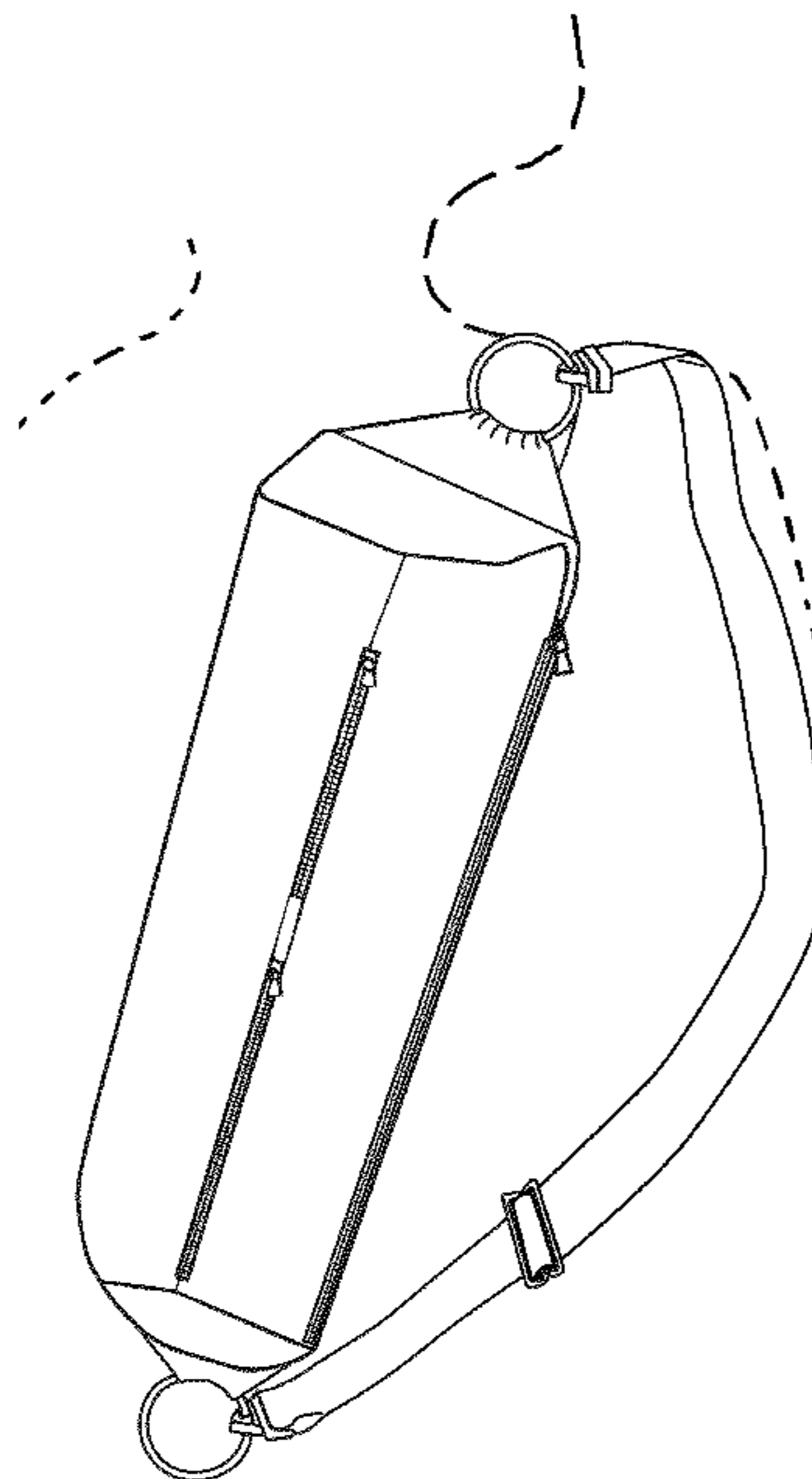
FIG. 9 is a left side view of an alternative embodiment of the shoulder bag with portable as shown in FIG. 4, the right side view is a mirror image thereof.

FIG. 10 is a front view of an alternative embodiment of the shoulder bag with portable swing as shown in FIG. 5; and,

FIG. 11 is a rear view of an alternative embodiment of the shoulder bag with portable swing.

The broken line showing of environment in the drawings is included for the purpose of illustrating only and forms no part of the claimed design.

1 Claim, 11 Drawing Sheets



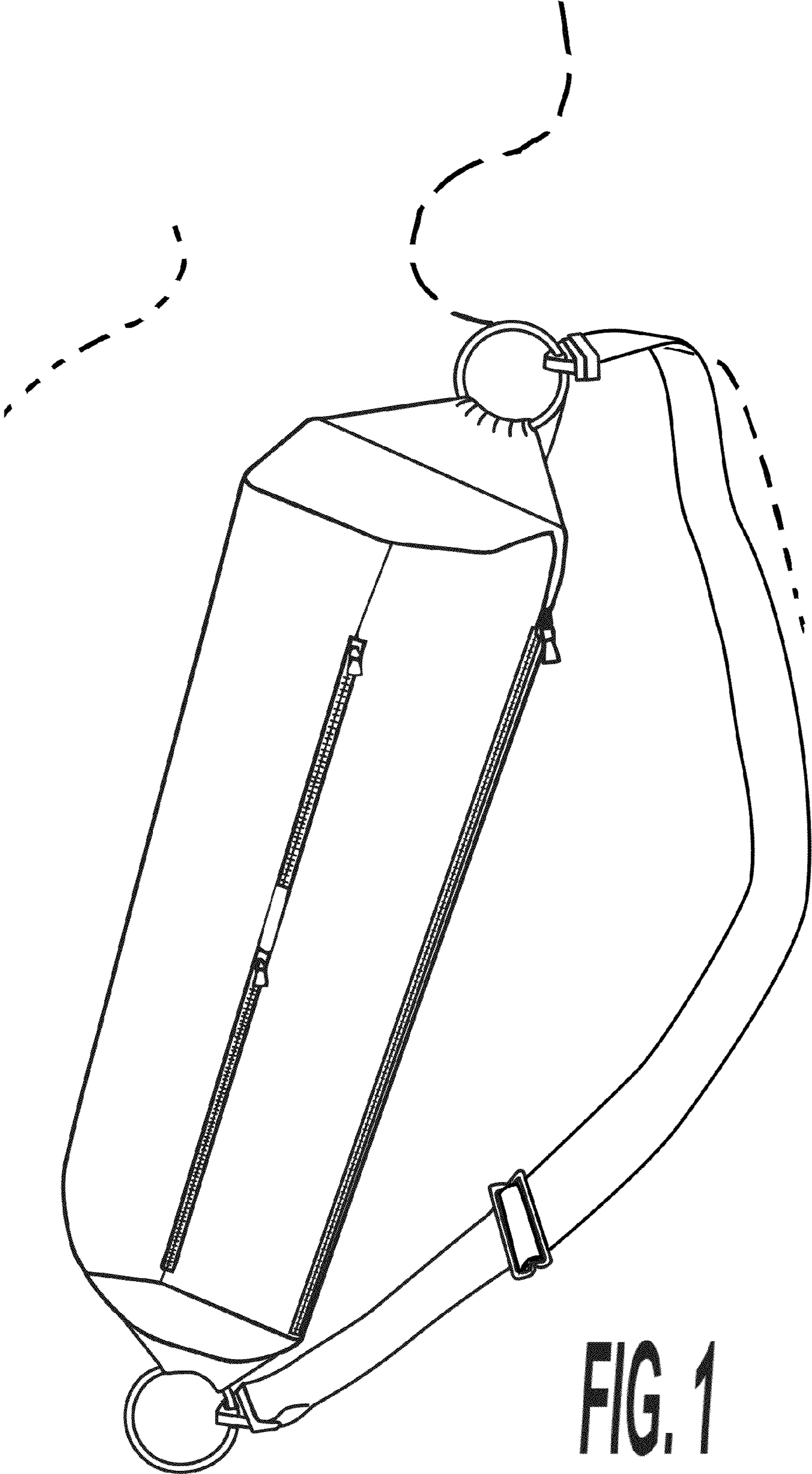
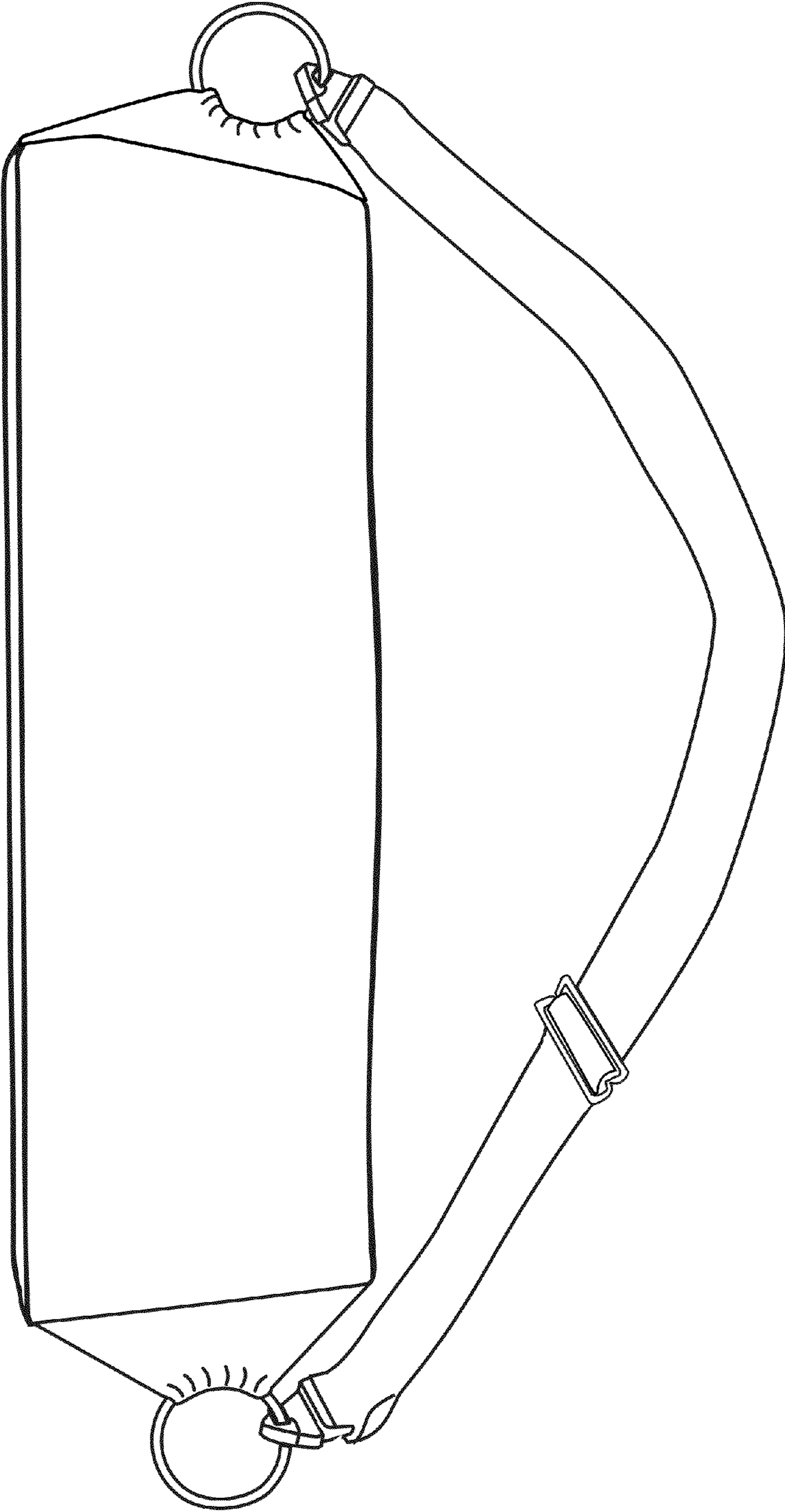


FIG. 1

FIG. 2



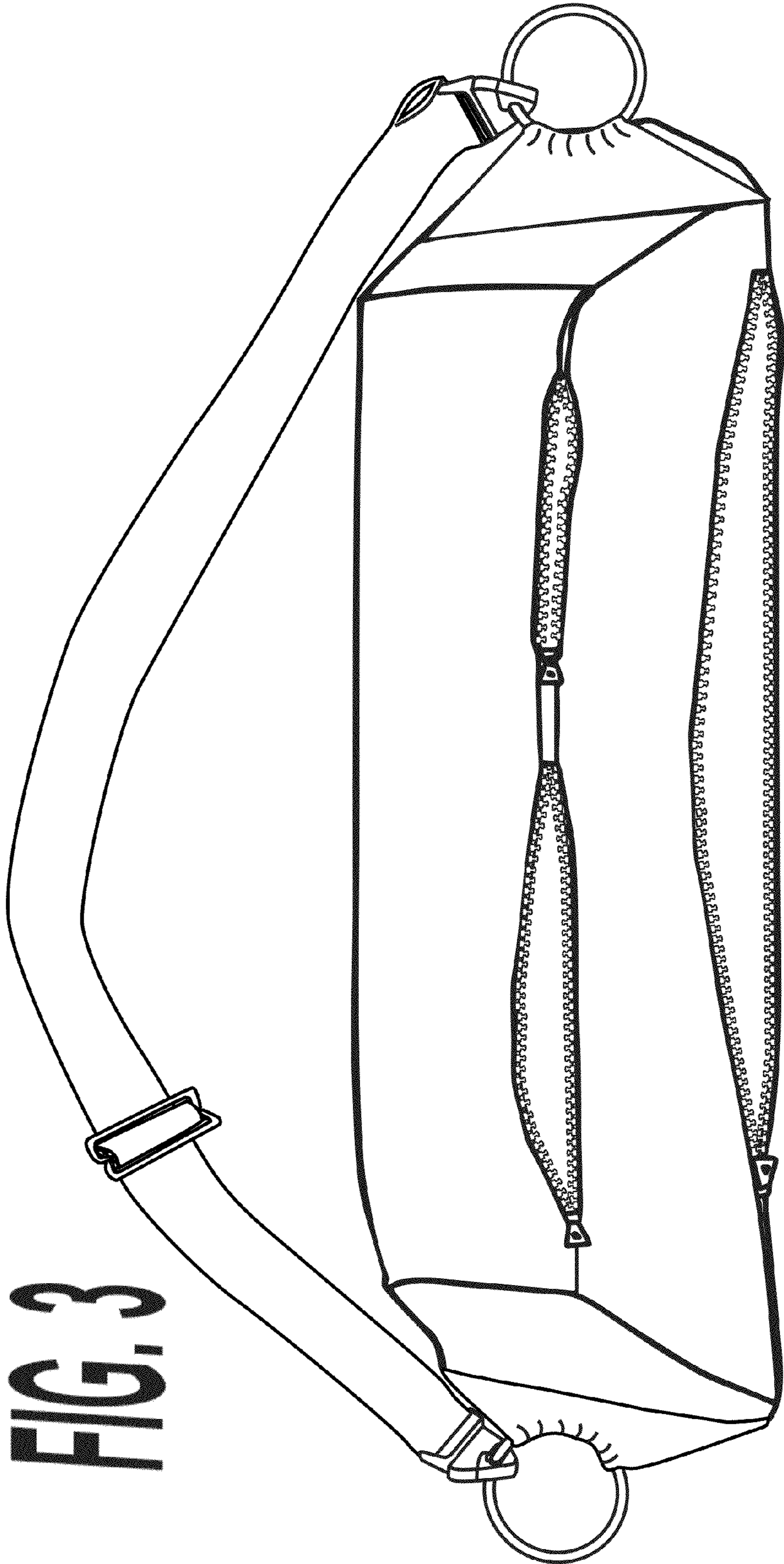
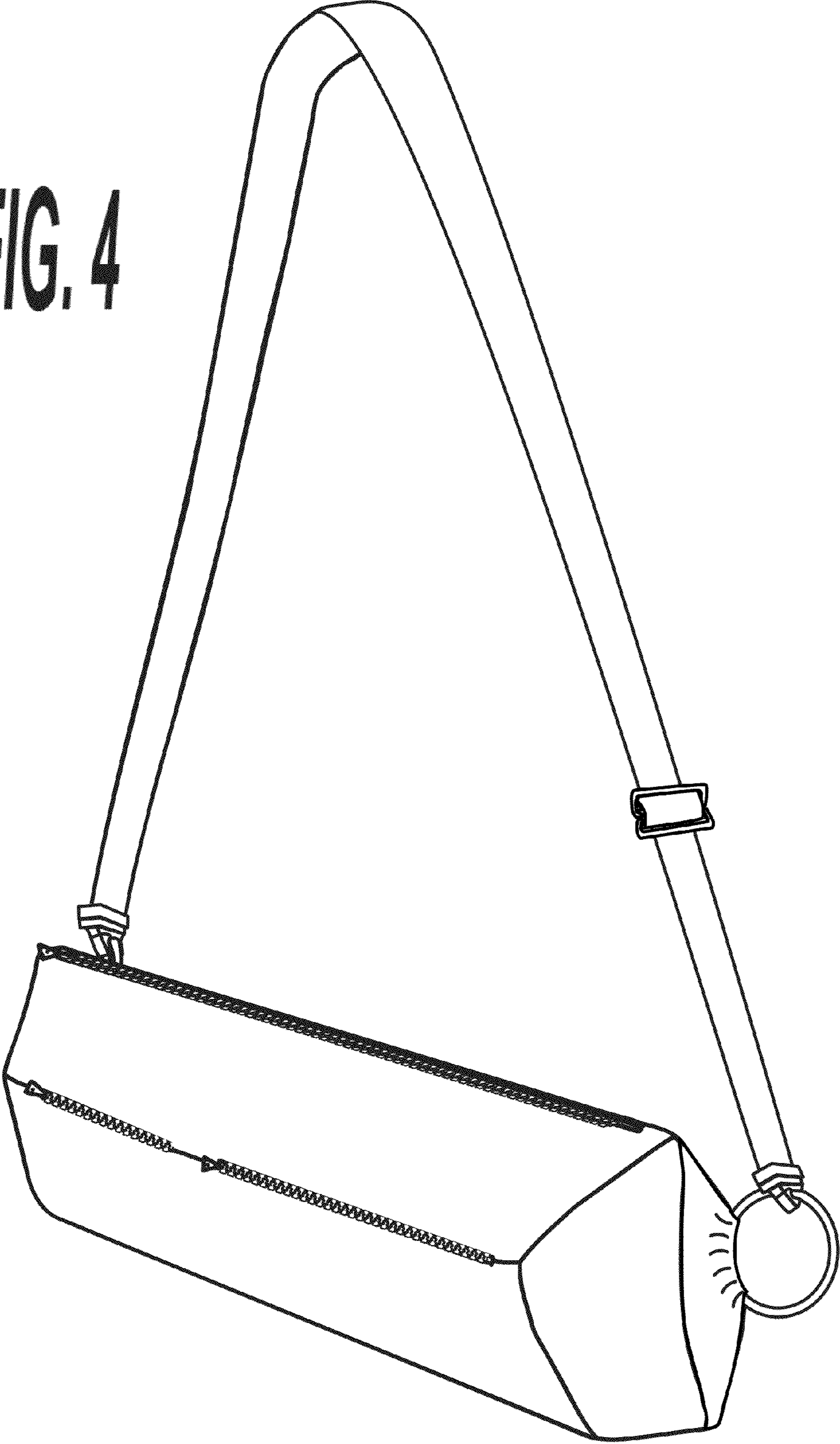
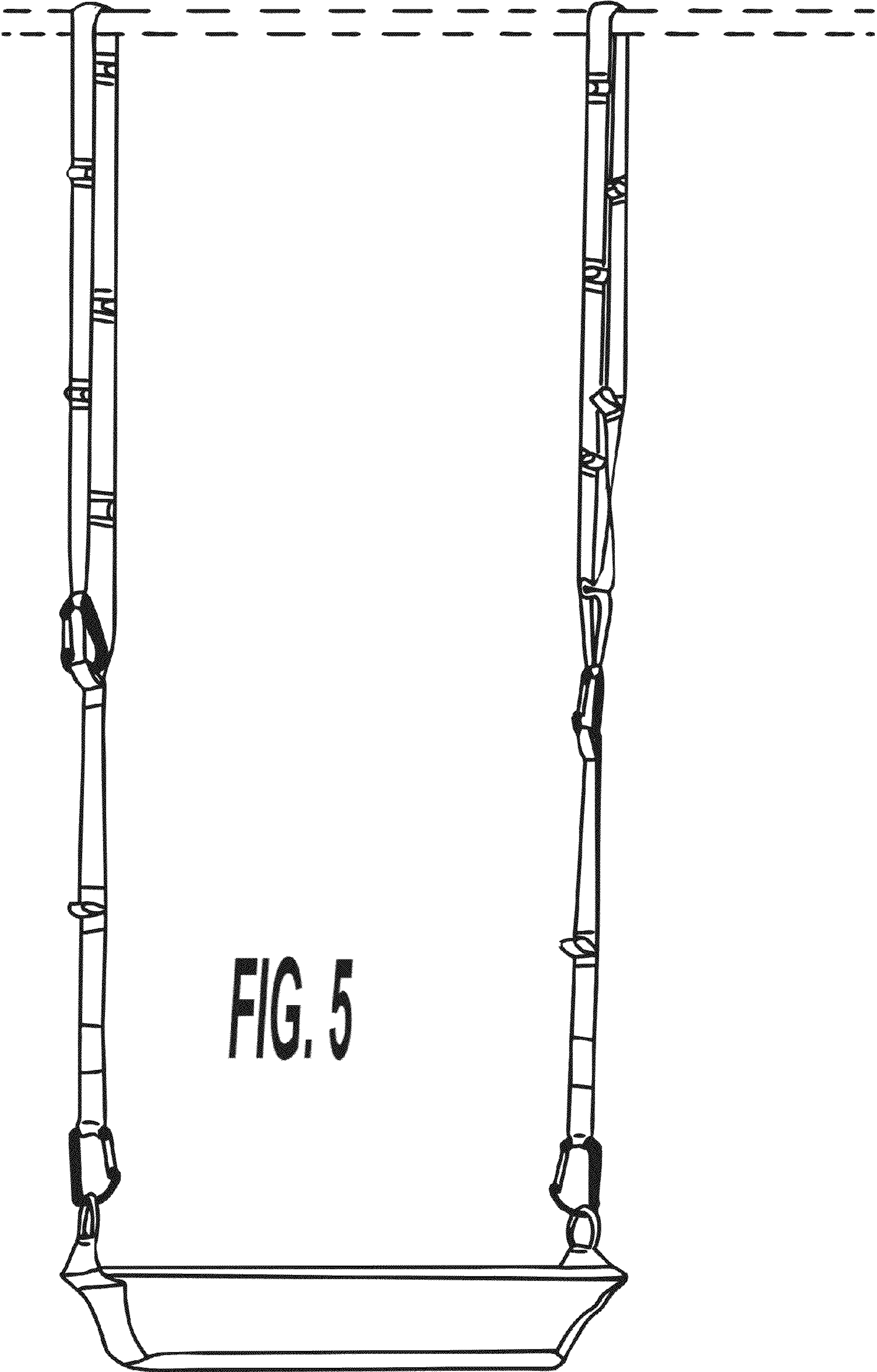
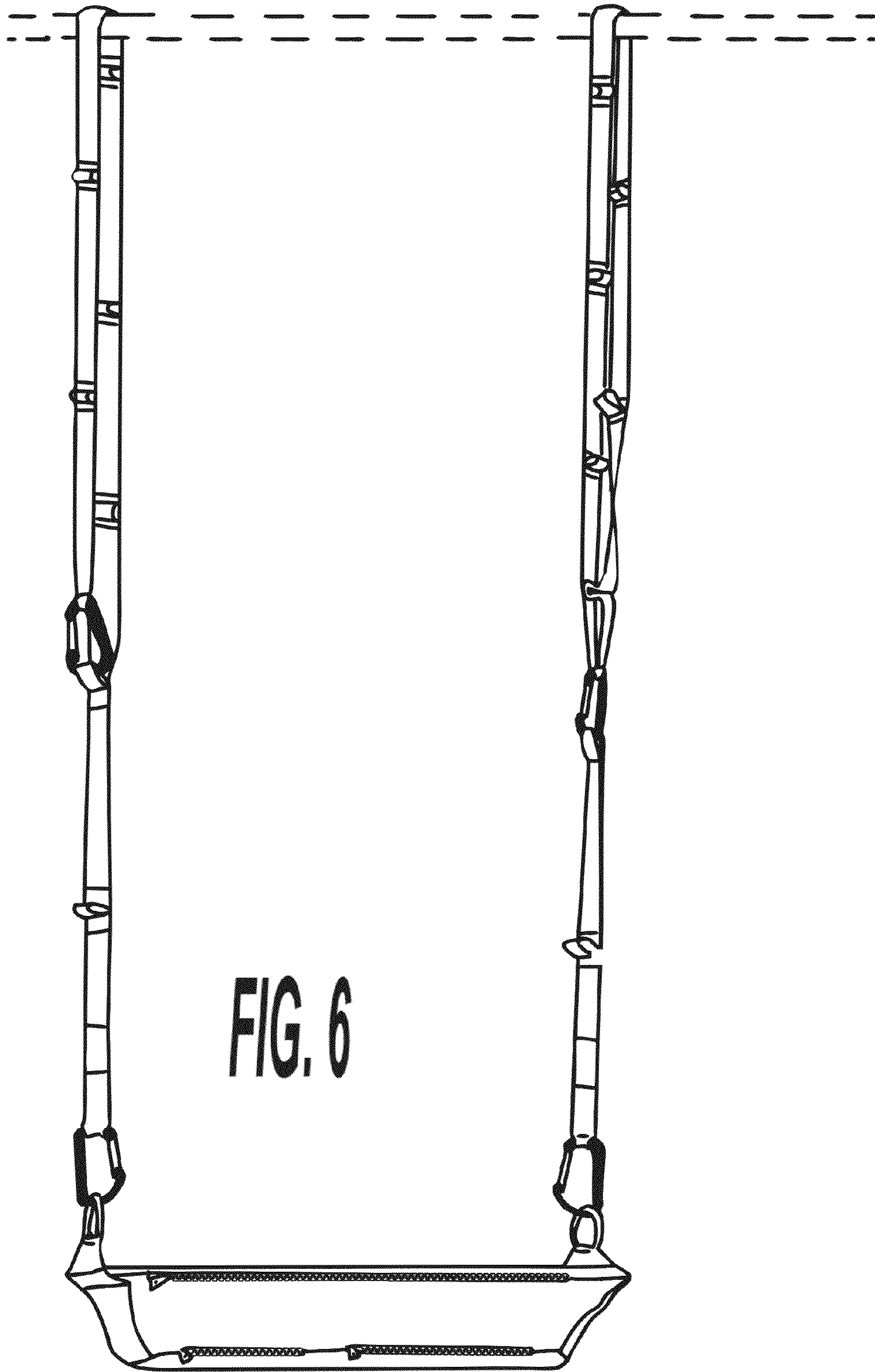


FIG. 3

FIG. 4







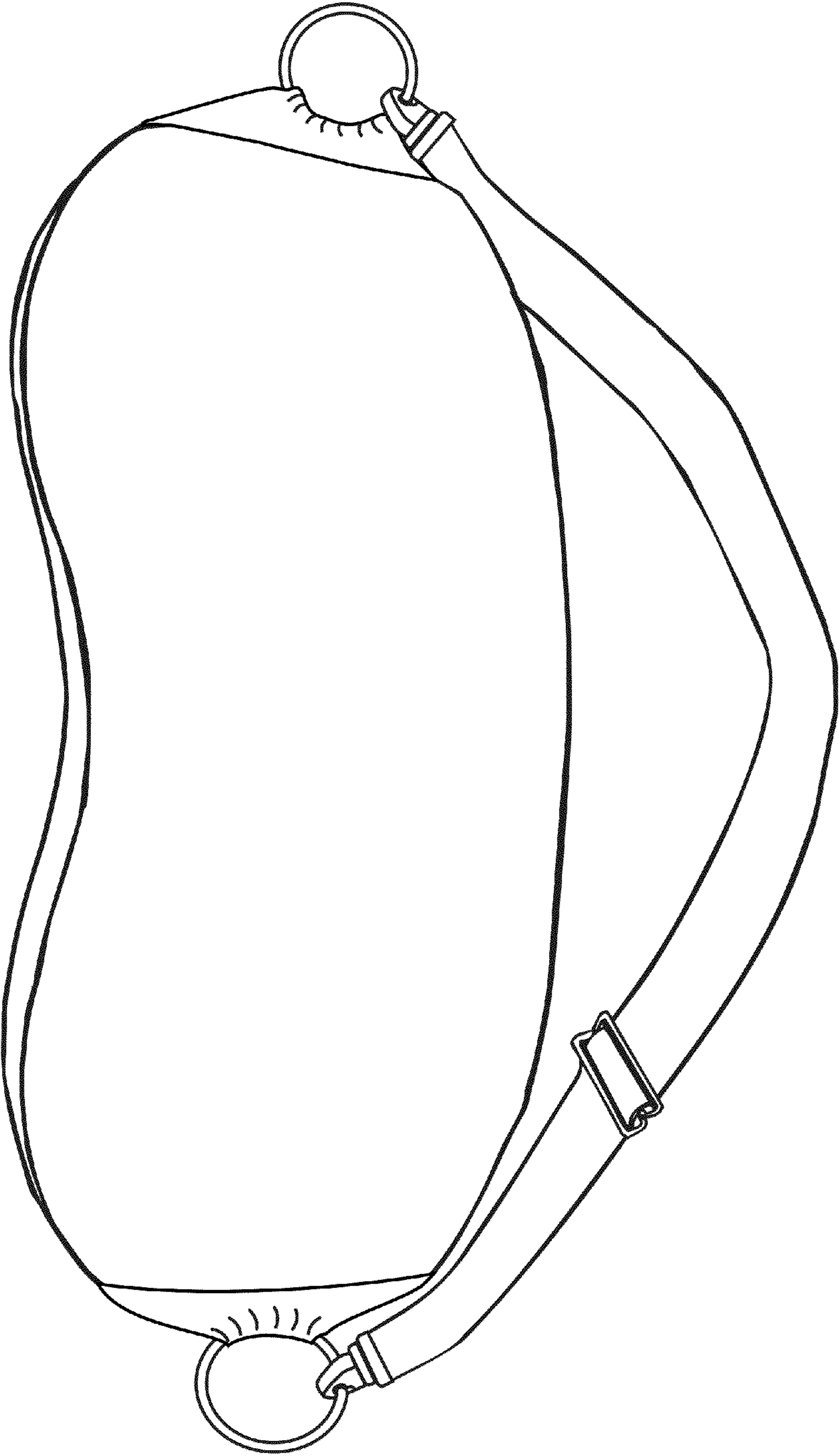


FIG. 7

FIG. 8

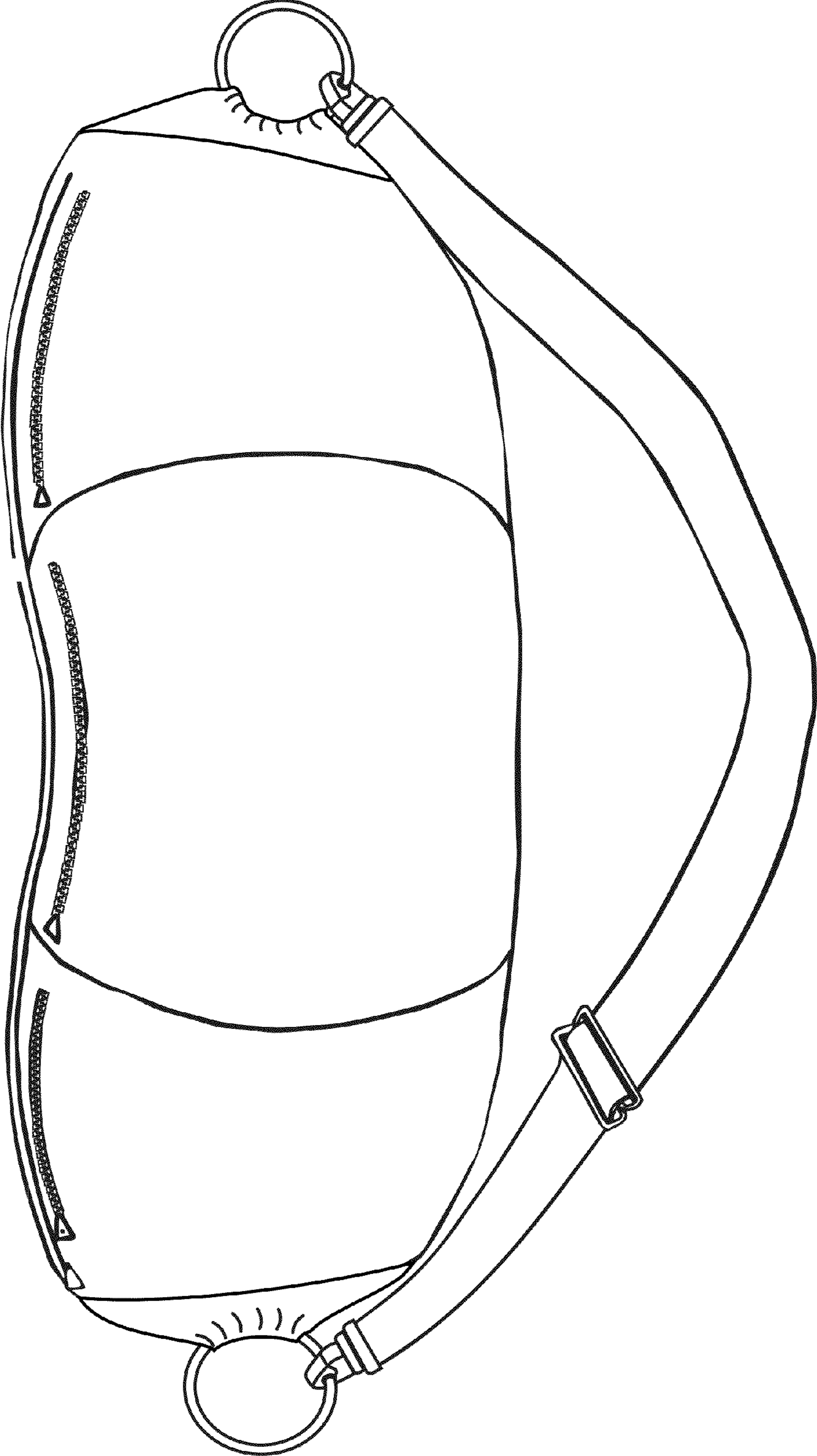
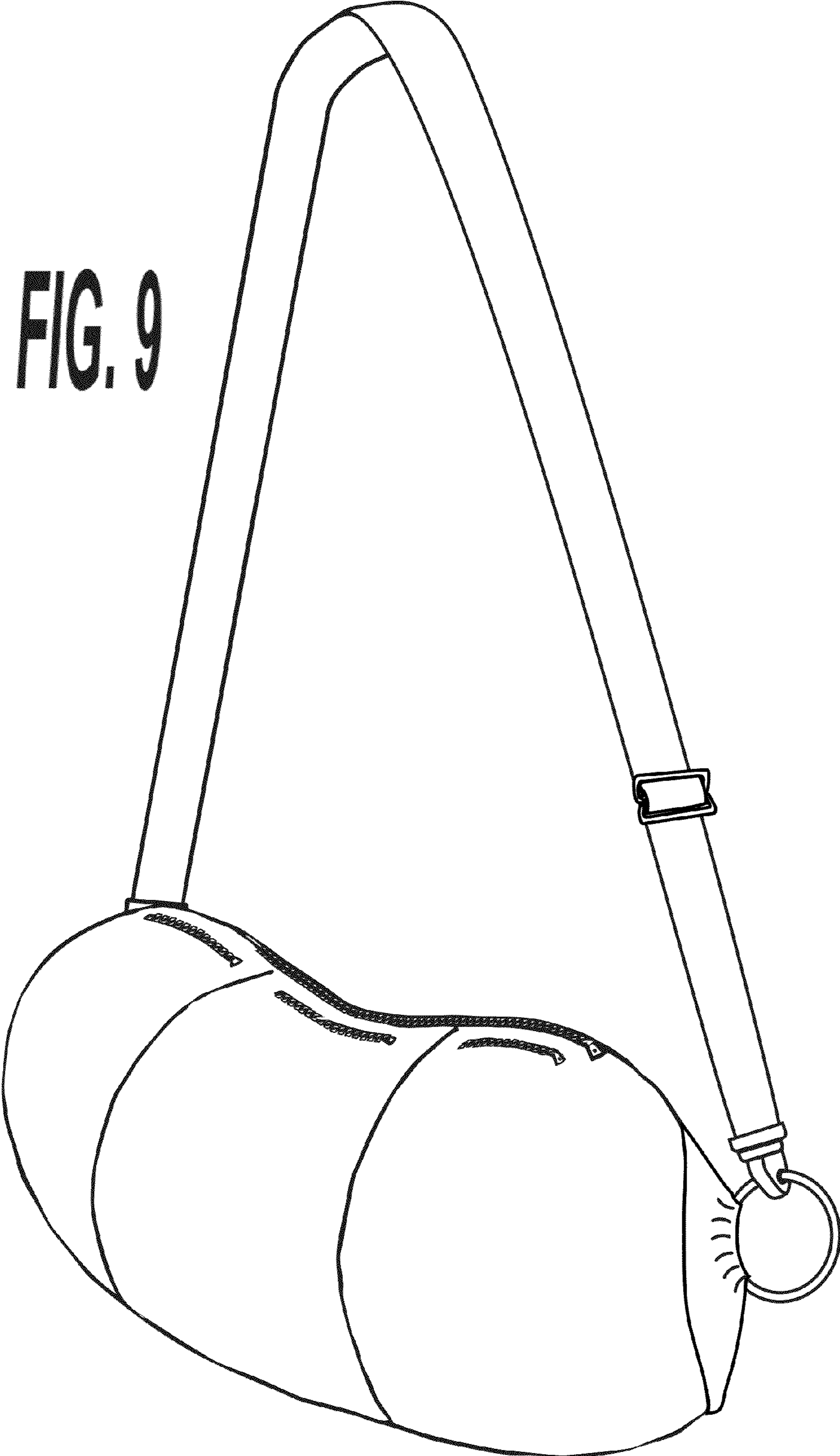
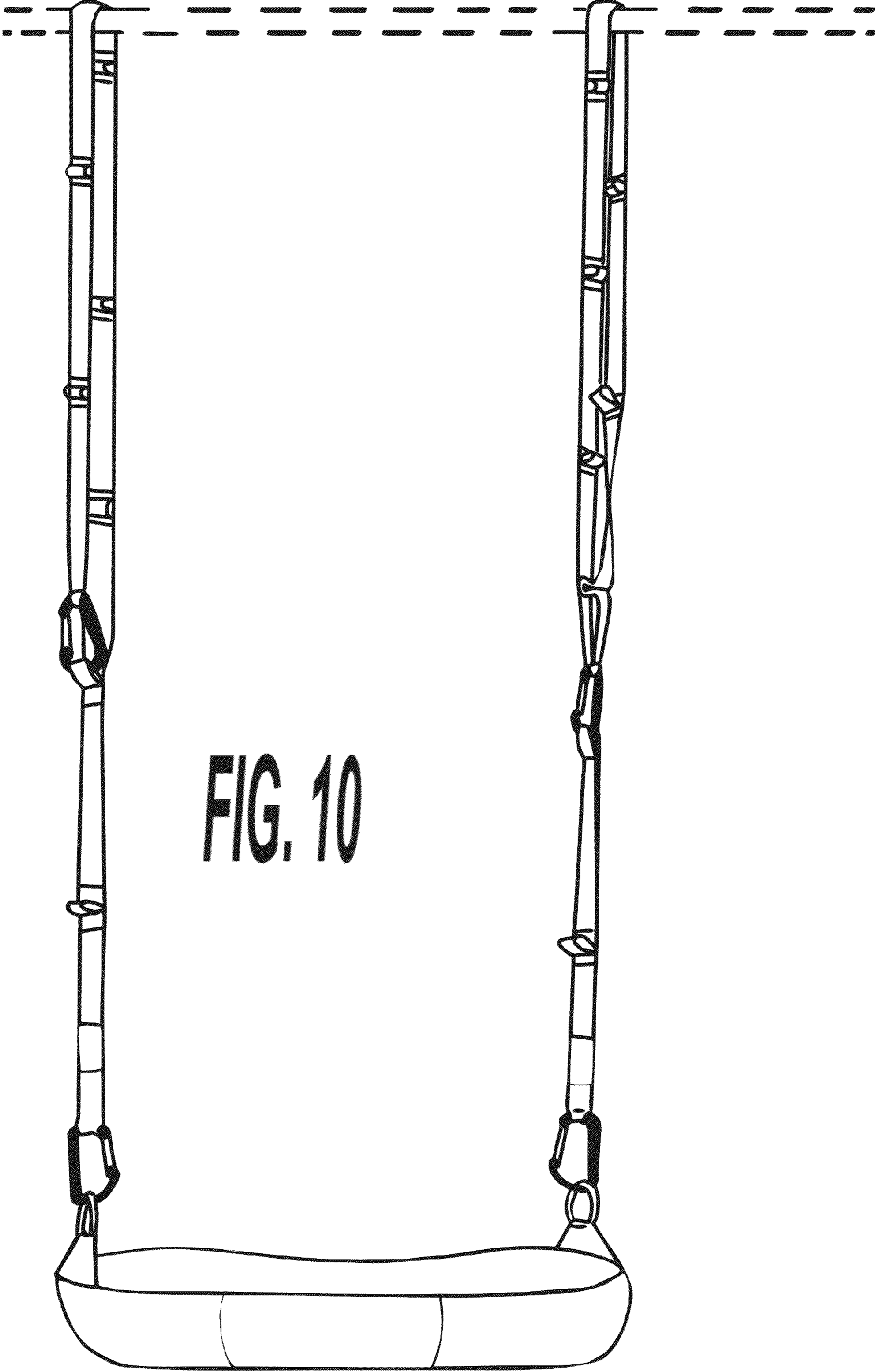


FIG. 9





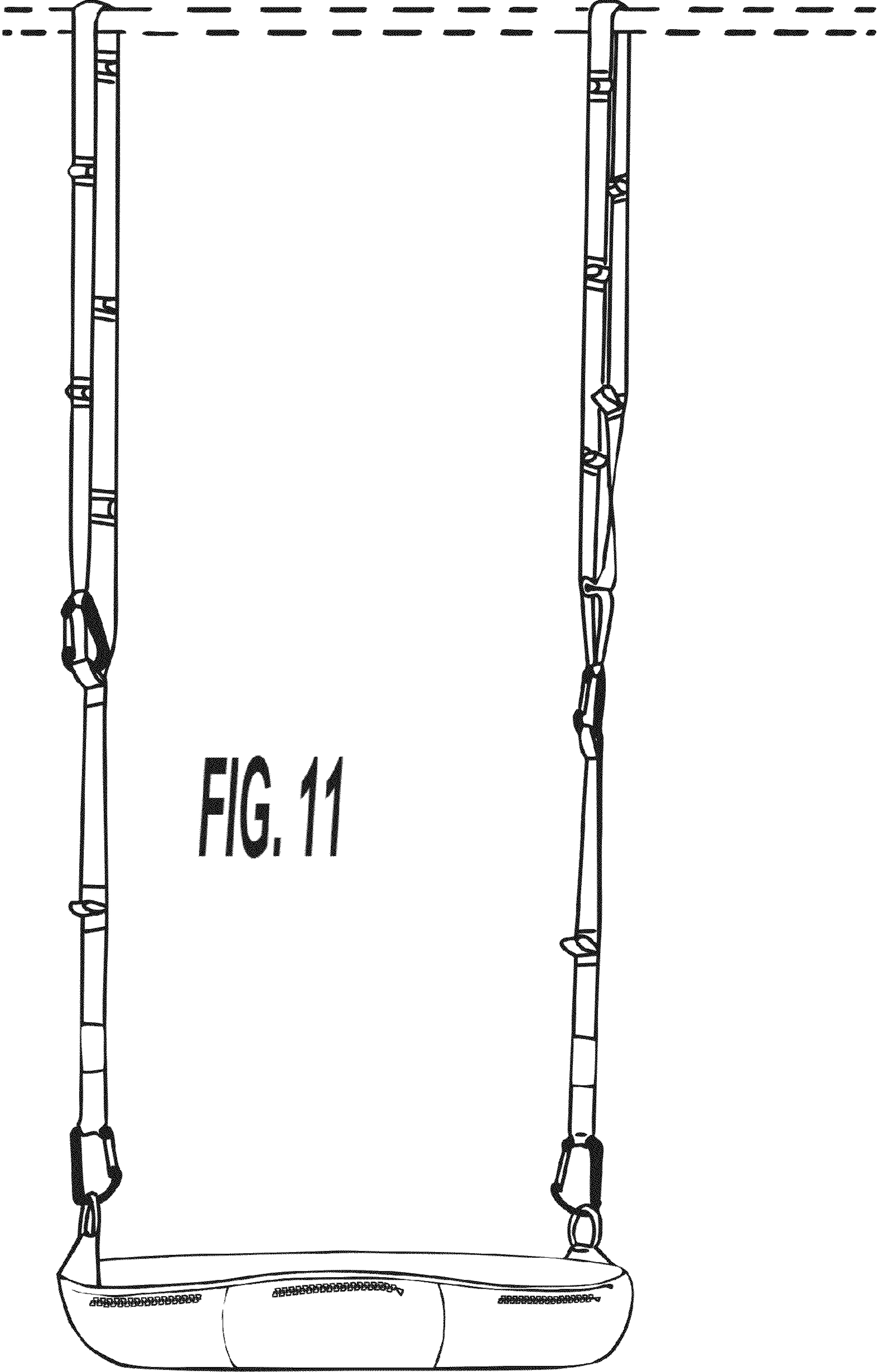


FIG. 11