



US00D737045S

(12) **United States Design Patent**
Rosland

(10) **Patent No.:** **US D737,045 S**

(45) **Date of Patent:** **** Aug. 25, 2015**

(54) **BED SHEET STORAGE DEVICE**

(71) Applicant: **Linsey Rosland**, Downers Grove, IL
(US)

(72) Inventor: **Linsey Rosland**, Downers Grove, IL
(US)

(**) Term: **14 Years**

(21) Appl. No.: **29/485,093**

(22) Filed: **Mar. 14, 2014**

(51) **LOC (10) Cl.** **03-01**

(52) **U.S. Cl.**
USPC **D3/201**

(58) **Field of Classification Search**
USPC D3/201, 276, 288, 290, 299, 319;
229/87.01; 206/223, 279, 449;
223/37-38

See application file for complete search history.

(56) **References Cited**

U.S. PATENT DOCUMENTS

D156,107	S	*	11/1949	Horton, Jr. et al.	D3/276
4,188,988	A	*	2/1980	Agyagos	383/4
D336,986	S	*	7/1993	Seymour	D3/233
5,961,033	A	*	10/1999	Wang	229/87.17
D465,922	S	*	11/2002	Davis	D3/287
D480,209	S	*	10/2003	Davis et al.	D3/289
D521,729	S	*	5/2006	Matthews	D3/269

7,992,712	B2	*	8/2011	Rosland	206/449
9,022,259	B2	*	5/2015	Breier	223/38
2008/0264983	A1	*	10/2008	Kastan	223/38

* cited by examiner

Primary Examiner — Catheri Oliver-Garcia

(74) *Attorney, Agent, or Firm* — Valauskas Corder LLC

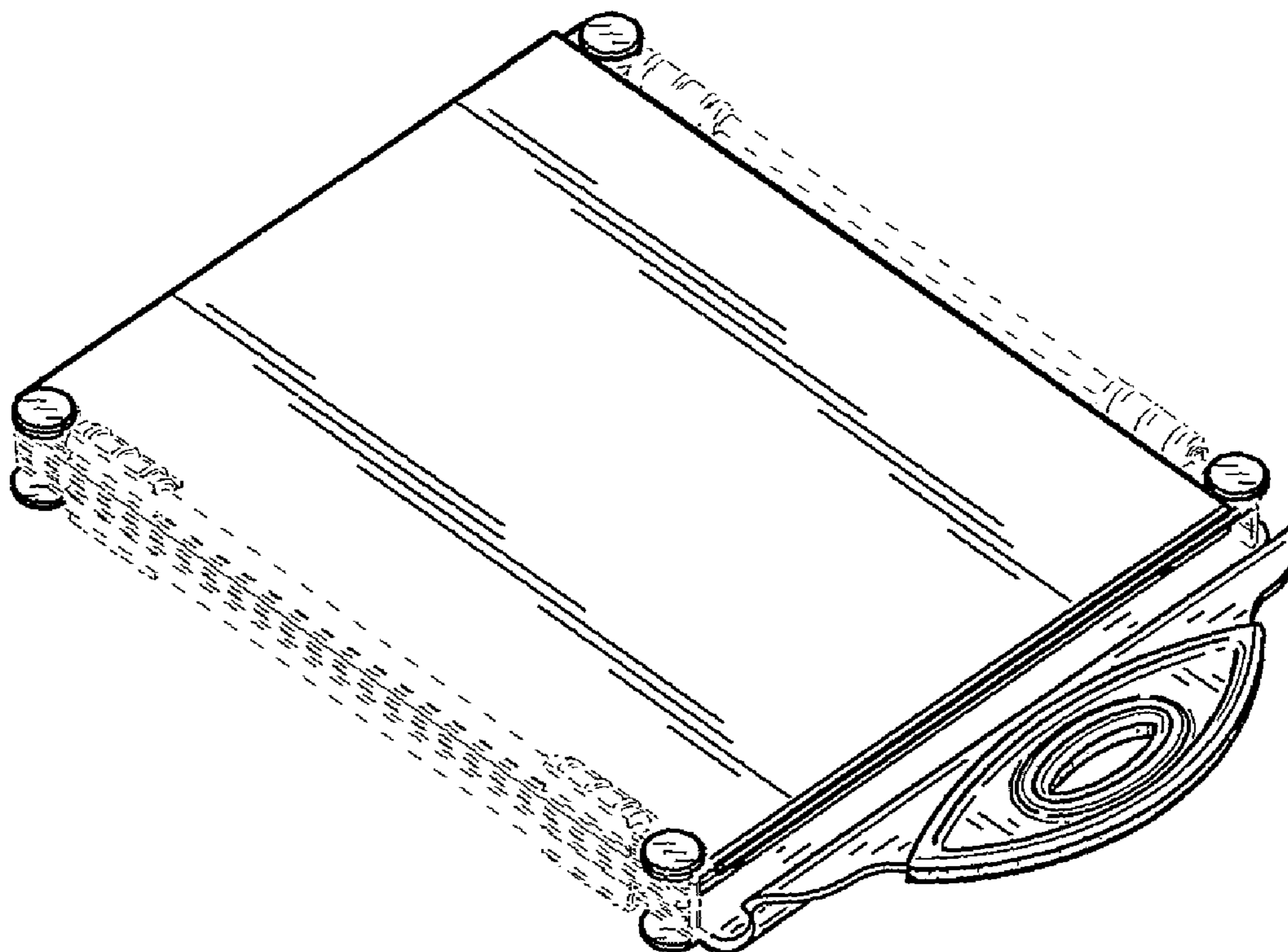
(57) **CLAIM**

The ornamental design for a bed sheet storage device, as shown and described.

DESCRIPTION

FIG. 1 is a top perspective view of a bed sheet storage device according to the present invention;
 FIG. 2 is a top view of a bed sheet storage device according to the present invention;
 FIG. 3 is a bottom view of a bed sheet storage device according to the present invention;
 FIG. 4 is a front view of a bed sheet storage device according to the present invention.
 FIG. 5 is a rear view of a bed sheet storage device according to the present invention;
 FIG. 6 is a side view of a bed sheet storage device according to the present invention; and,
 FIG. 7 is a top perspective view of a bed sheet storage device in a closed position according to the present invention.
 The broken lines are for illustrative purposes only and form no part of the claimed design.

1 Claim, 5 Drawing Sheets



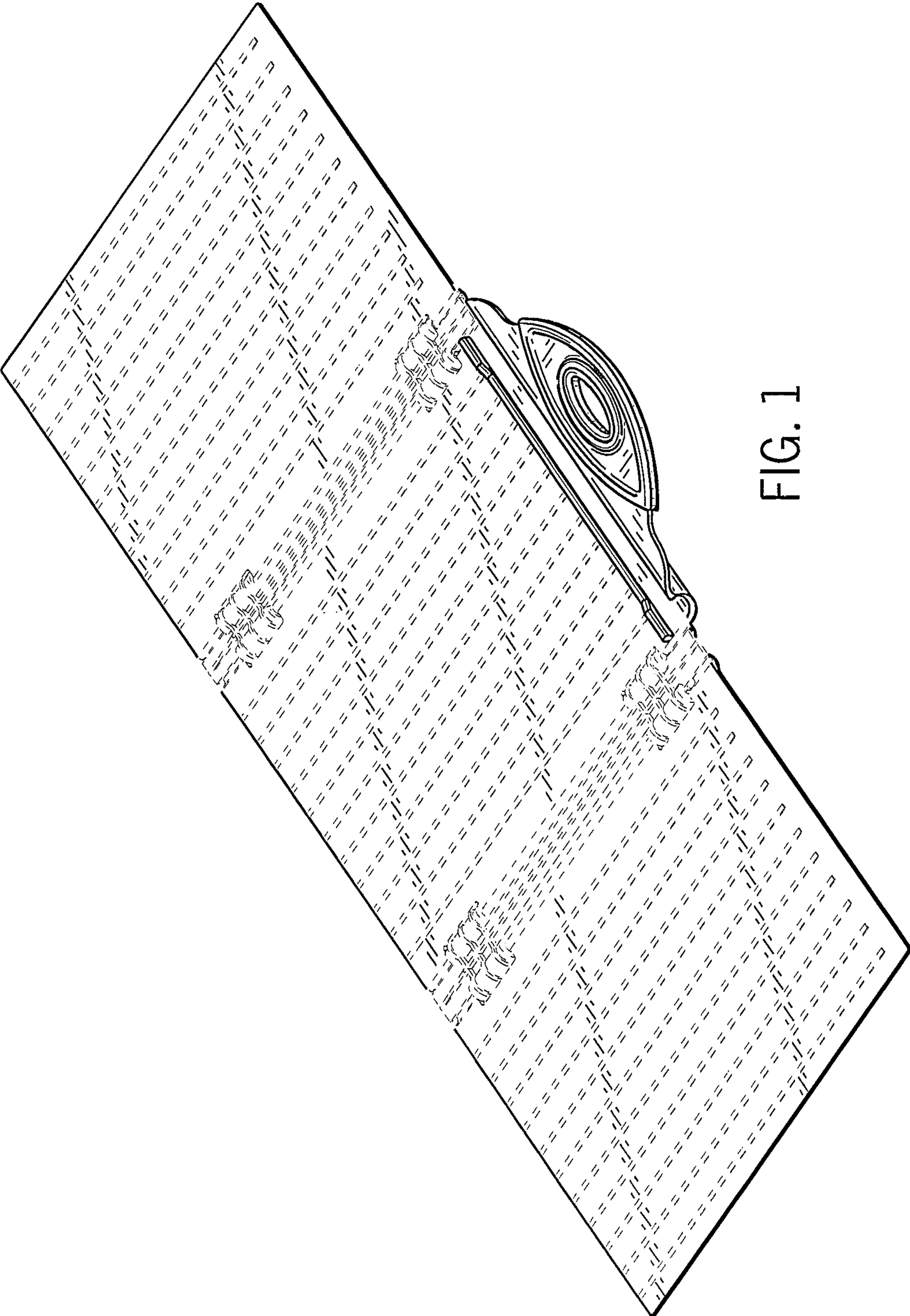


FIG. 1

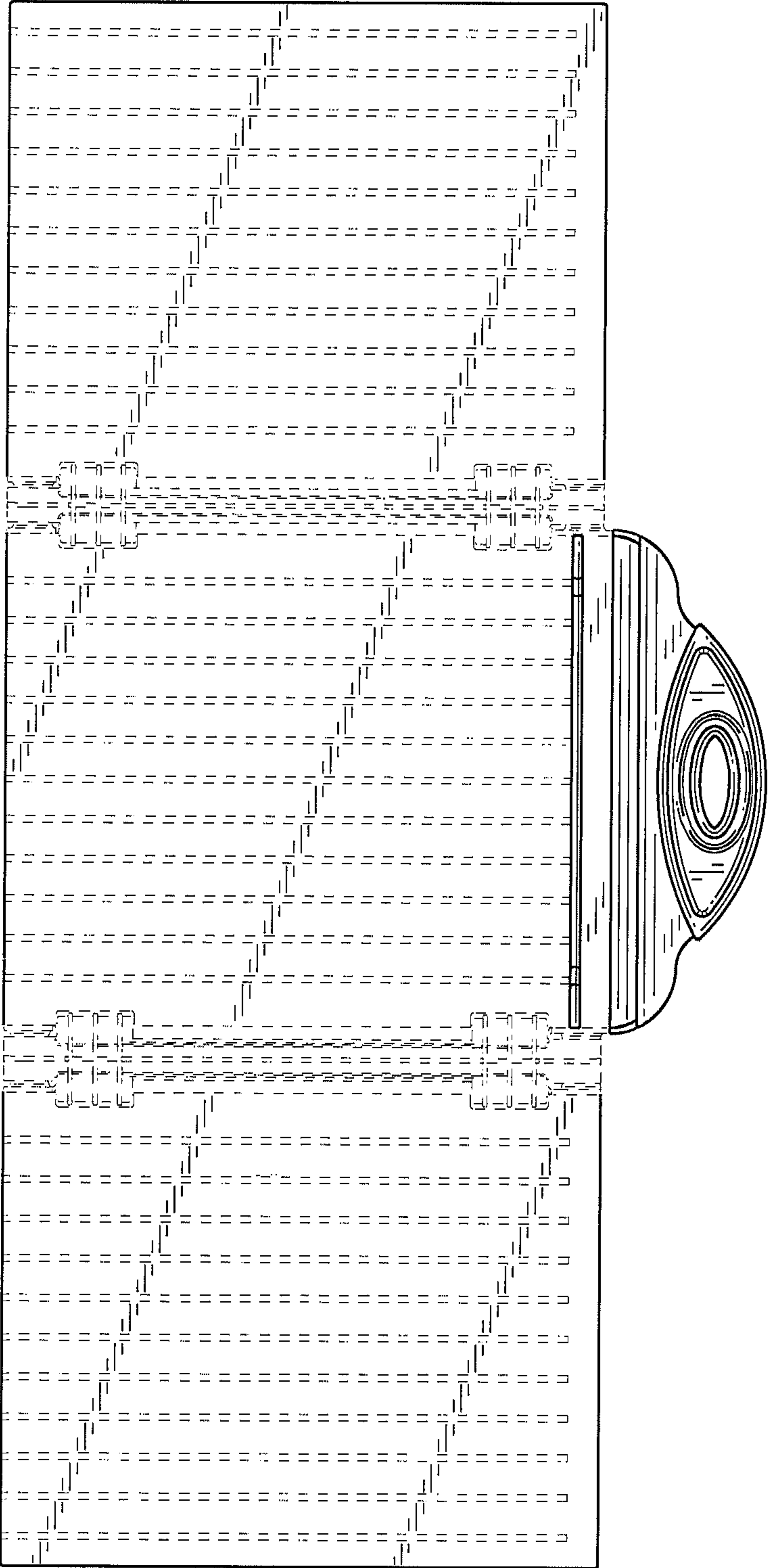


FIG. 2

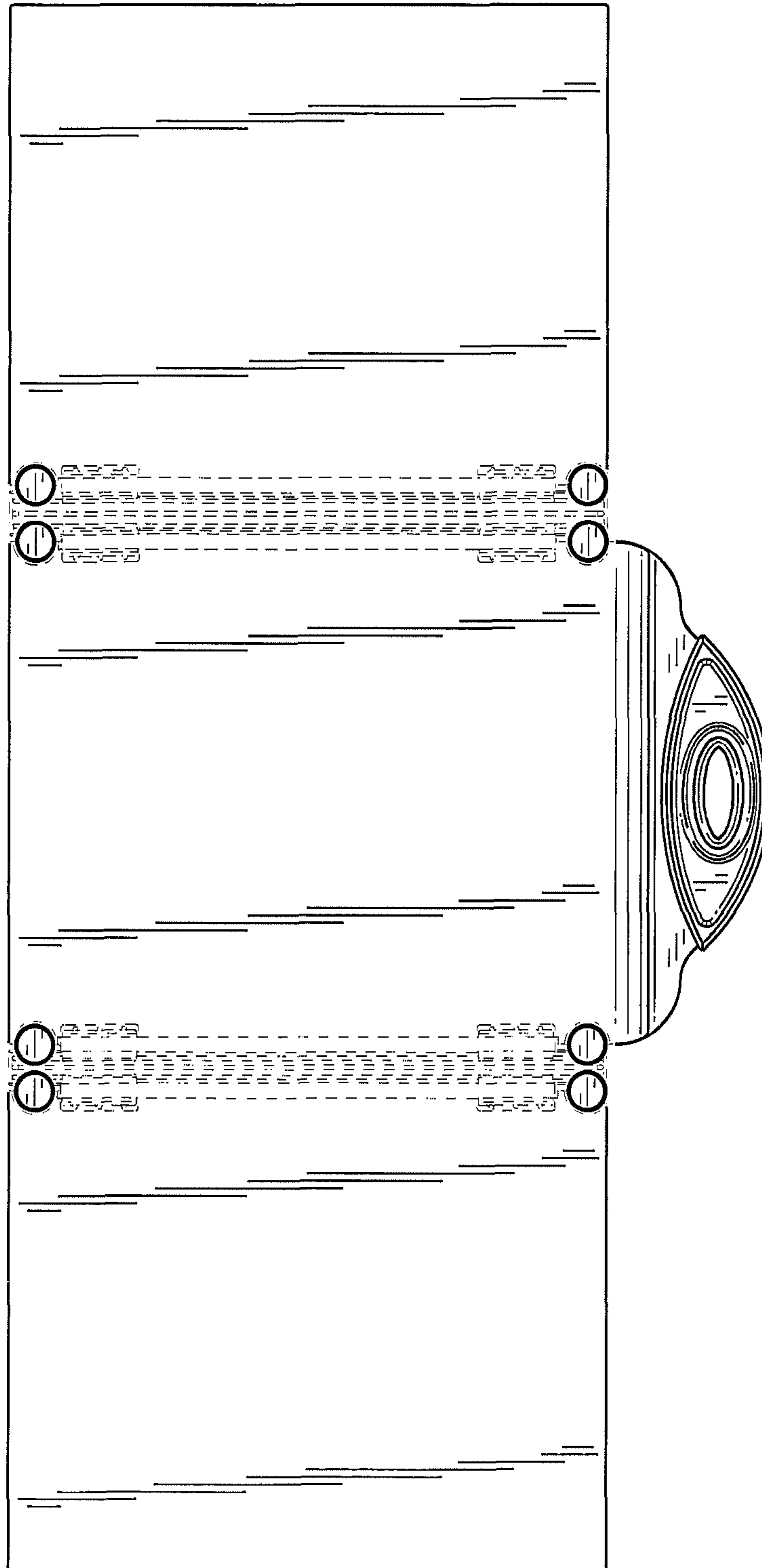


FIG. 3

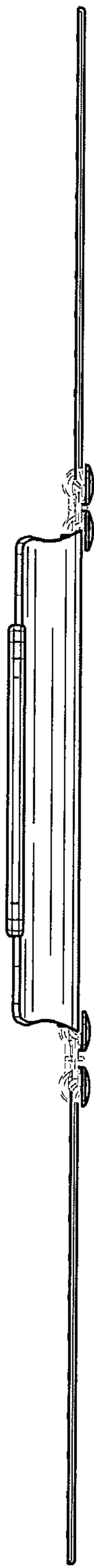


FIG. 4



FIG. 5

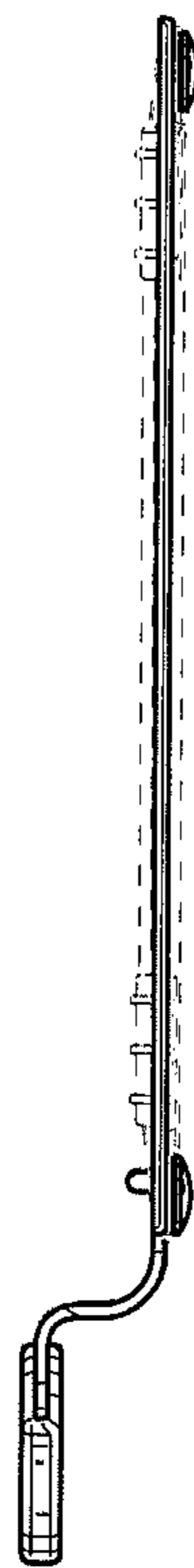


FIG. 6

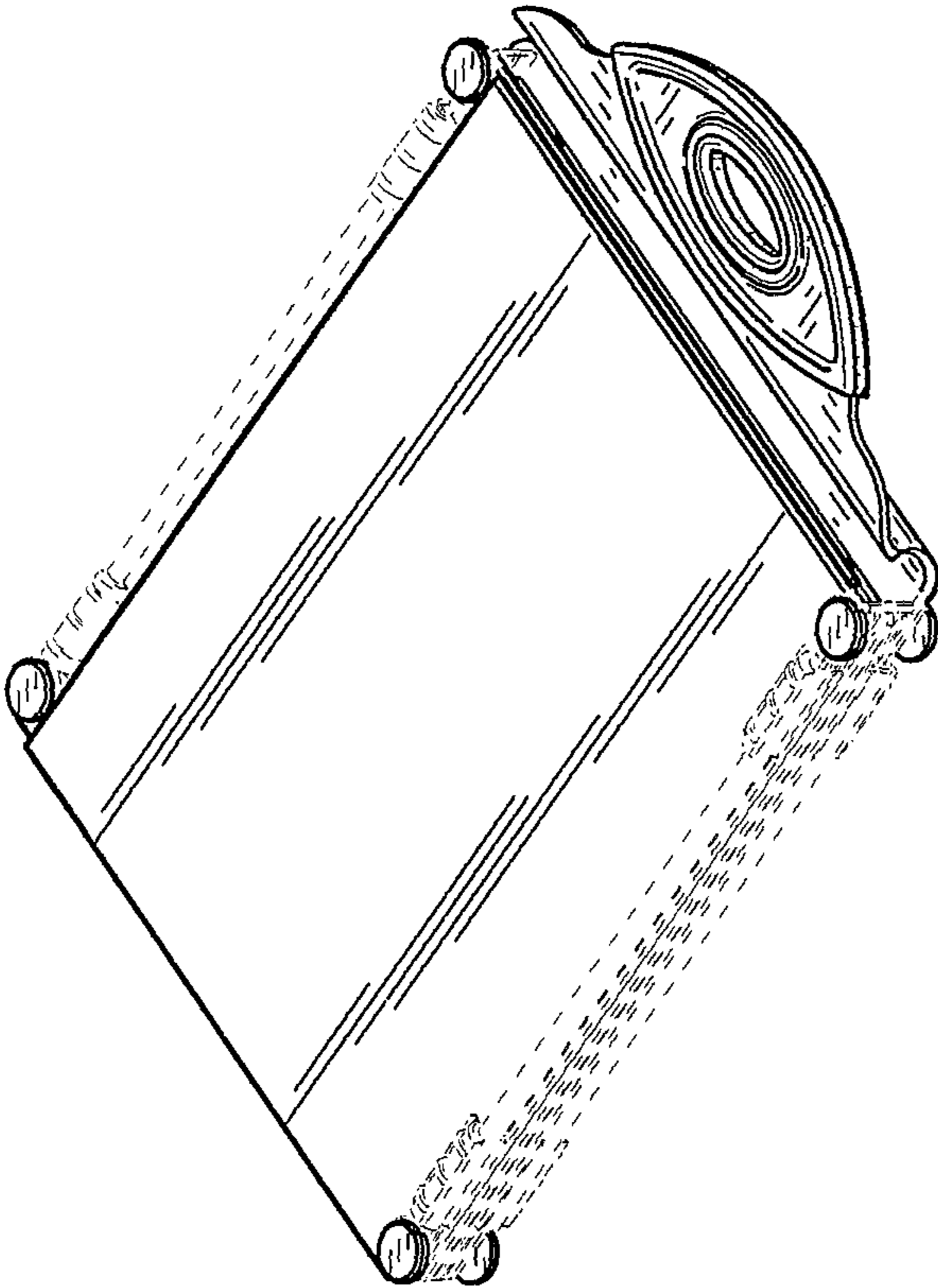


FIG. 7