



US00D737043S

(12) **United States Design Patent**
Miner

(10) **Patent No.:** **US D737,043 S**
(45) **Date of Patent:** **** Aug. 25, 2015**

- (54) **SHOE UPPER**
- (71) Applicant: **NIKE, Inc.**, Beaverton, OR (US)
- (72) Inventor: **Mark C. Miner**, Portland, OR (US)
- (73) Assignee: **NIKE, Inc.**, Beaverton, OR (US)
- (**) Term: **14 Years**
- (21) Appl. No.: **29/510,401**
- (22) Filed: **Nov. 26, 2014**
- (51) **LOC (10) Cl.** **02-99**
- (52) **U.S. Cl.**
USPC **D2/973**
- (58) **Field of Classification Search**
USPC D2/902, 906-908, 944, 946, 969,
D2/972-974
CPC .. A43B 13/181; A43B 13/141; A43B 13/186;
A43B 13/188; A43B 23/00; A43B 23/02;
A43B 5/00; A43B 23/24; A43C 1/04; A43C
11/16
See application file for complete search history.

D694,516 S	12/2013	Anceresi et al.
D696,853 S	1/2014	Martin
D700,767 S	3/2014	Parrett
D700,769 S	3/2014	Parrett
D703,426 S	4/2014	Lee
D707,033 S	6/2014	Shaffer
D707,955 S	7/2014	Petrie
D710,591 S	8/2014	Mervar
D717,532 S	11/2014	Grenet
D718,039 S	11/2014	McMillan
8,959,959 B1 *	2/2015	Podhajny 36/47

OTHER PUBLICATIONS

Nike Footwear Catalog, 1994 Fall Footwear, p. 88, published Nov. 1993, NIKE, Inc., USA.
 Nike Footwear Catalog, 1995 Late Spring Footwear, p. 58, published Sep. 1994, NIKE, Inc., USA.
 Nike Footwear Catalog, 1996 Fall Footwear, p. 209, published Dec. 1995, NIKE, Inc., USA.

(Continued)

Primary Examiner — Dominic Simone
 (74) *Attorney, Agent, or Firm* — Banner & Witcoff, Ltd.

(57) **CLAIM**
 The ornamental design for a shoe upper, as shown and described.

DESCRIPTION

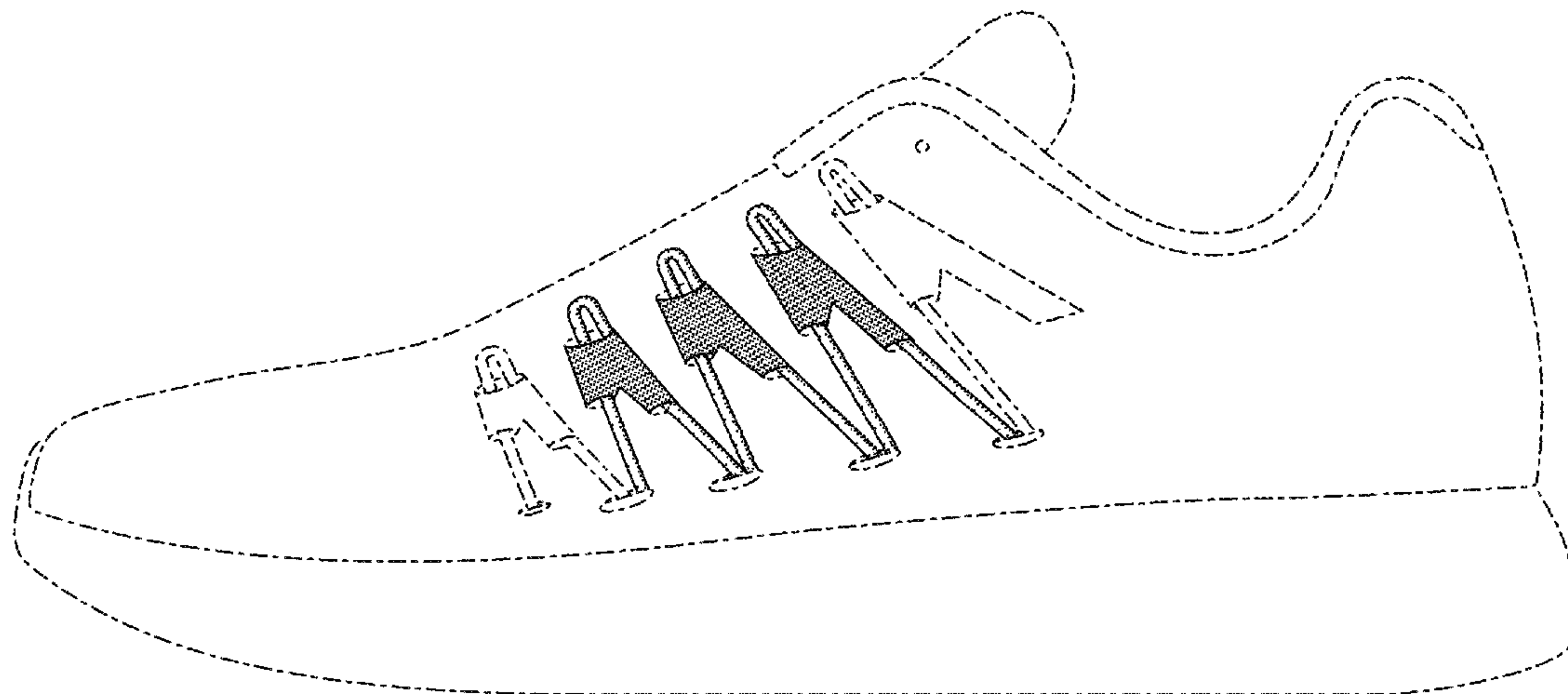
FIG. 1 is a front perspective view of a shoe upper showing my new design;
 FIG. 2 is a side view thereof; and,
 FIG. 3 is a rear perspective view thereof.
 The contrast in shading shown in FIGS. 1-3 represents a contrast of appearance only, and no specific color, texture, or material is being claimed. The broken lines immediately adjacent to the shaded area represent unclaimed boundaries of the design. The broken lines showing the remainder of the shoe are for environmental purposes only and form no part of the claimed design.

1 Claim, 3 Drawing Sheets

(56) **References Cited**

U.S. PATENT DOCUMENTS

128,603 A *	7/1872	Doubler	24/714.2
724,731 A *	4/1903	Noble et al.	24/714.2
1,015,928 A *	1/1912	Atwood	24/68 SK
D132,351 S	5/1942	Boothby	
3,169,325 A *	2/1965	Fesl	36/117.1
D621,598 S	8/2010	Leleu	
D666,405 S	9/2012	Shaffer	
D666,406 S	9/2012	Shaffer	
D667,211 S	9/2012	Shaffer	
D676,643 S *	2/2013	Lee	D2/972
D682,532 S *	5/2013	Roulo	D2/972
D692,224 S	10/2013	Fogg	
D692,225 S	10/2013	Madore	
D694,512 S	12/2013	James	
D694,513 S	12/2013	Fogg	



(56)

References Cited

OTHER PUBLICATIONS

Nike Footwear Catalog, 1996 Holiday Footwear, p. 114, published Mar. 1996, NIKE, Inc., USA.

Nike Footwear Catalog, 2013 Fall Core Footwear, p. 48, published Nov. 2012, NIKE, Inc., USA.

Nike Footwear Catalog, 2013 Fall Core Footwear, p. 4, published Nov. 2012, NIKE, Inc., USA.

Nike Footwear Catalog, 2013 Holiday Mens Performance Footwear, p. 13, published Feb. 2013, NIKE, Inc., USA.

Nike Footwear Catalog, 2013 Holiday Mens Sportswear Best, p. 11, published Feb. 2013, NIKE, Inc., USA.

Nike Footwear Catalog, 2014 Holiday Men's Performance Footwear, p. 6, published Feb. 1, 2014, NIKE, Inc., USA.

Nike Footwear Catalog, 2013 Spring Mens Performance Footwear, p. 49, published May 2012, NIKE, Inc., USA.

Nike Footwear Catalog, 2014 Summer Sporting Goods Best, p. 99, published Aug. 15, 2013, NIKE, Inc., USA.

Nike Footwear Catalog, 2015 Summer Women's Performance Footwear, p. 10, published Aug. 1, 2014, NIKE, Inc., USA.

Nike Footwear Catalog, 2014 Fall City Specialty Footwear Good, p. 18, published Nov. 1, 2013, NIKE, Inc., USA.

* cited by examiner

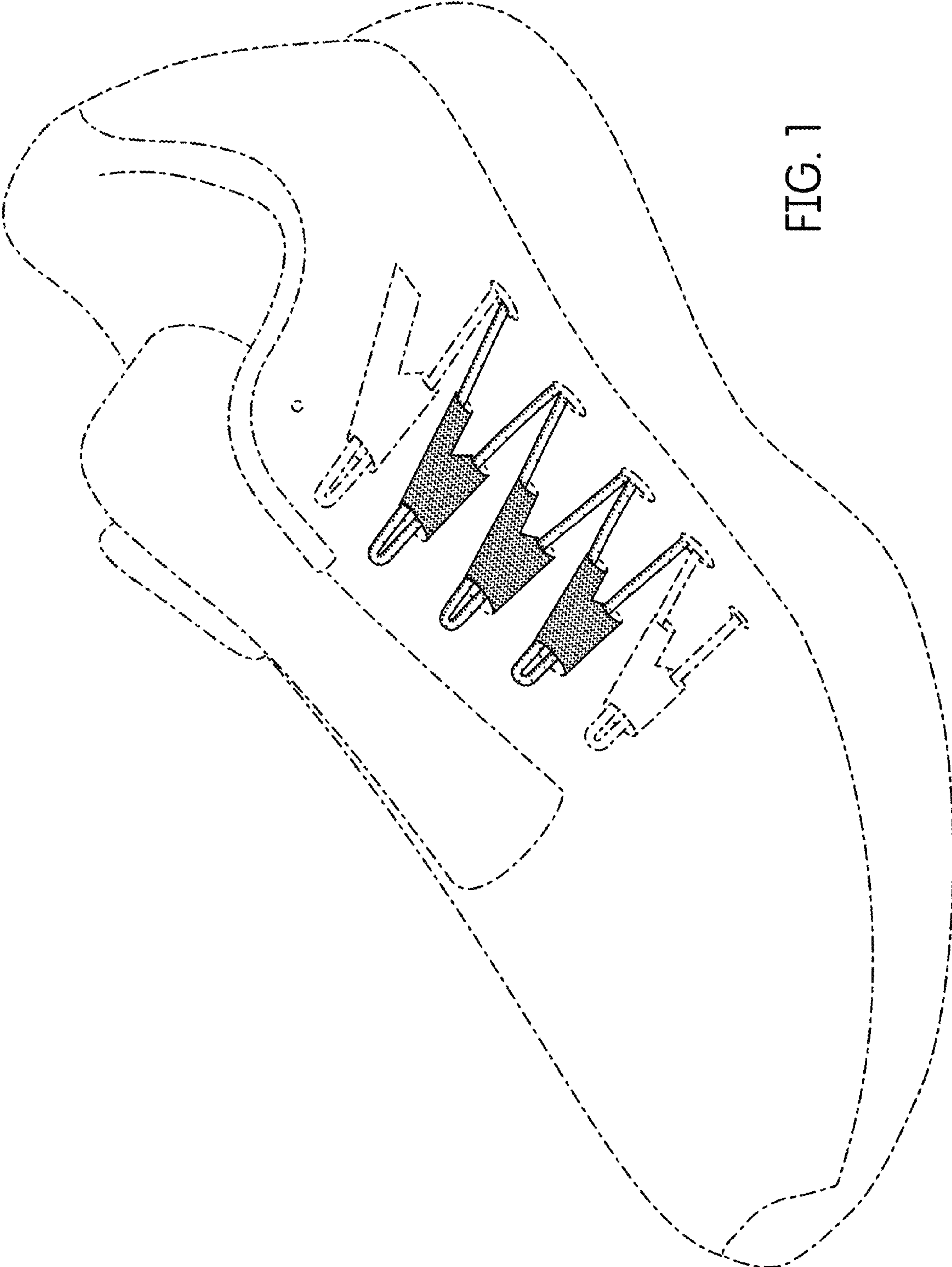


FIG. 1

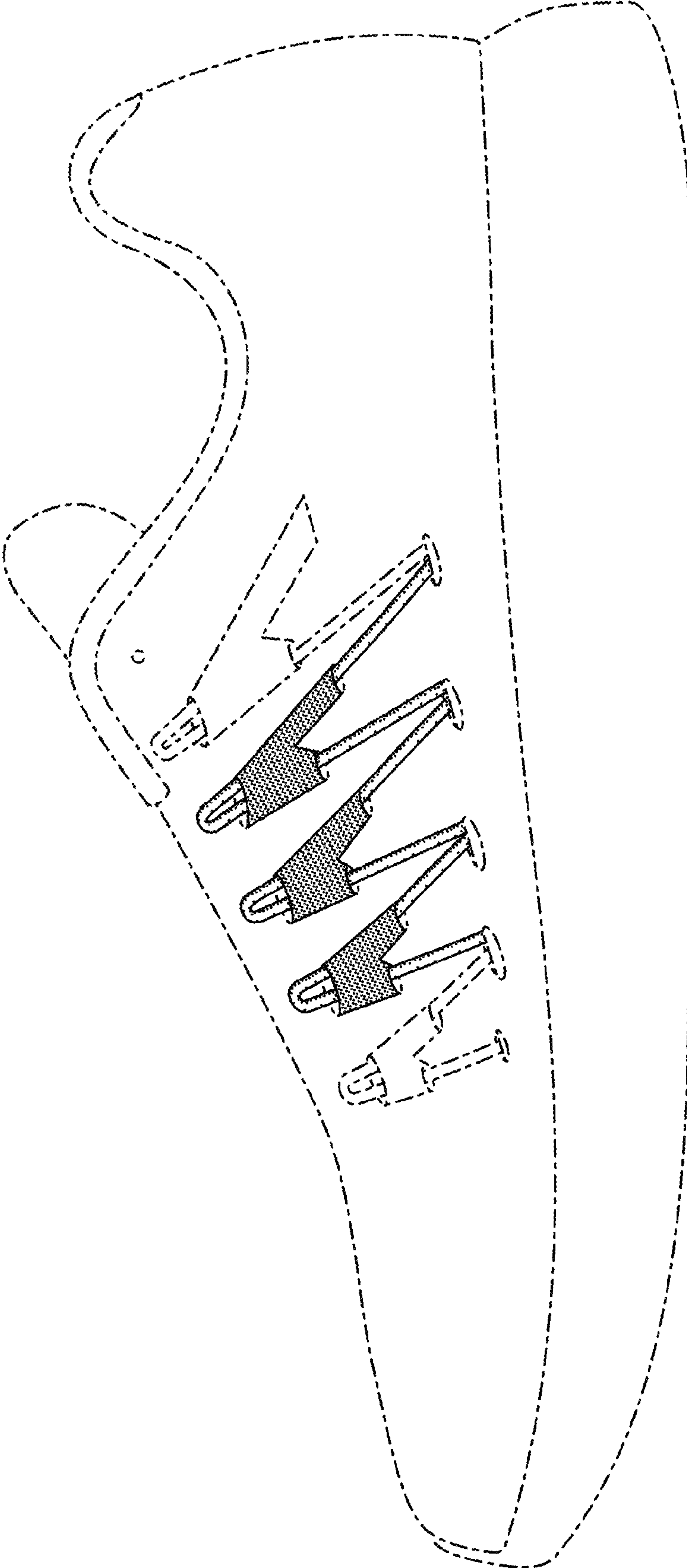


FIG. 2

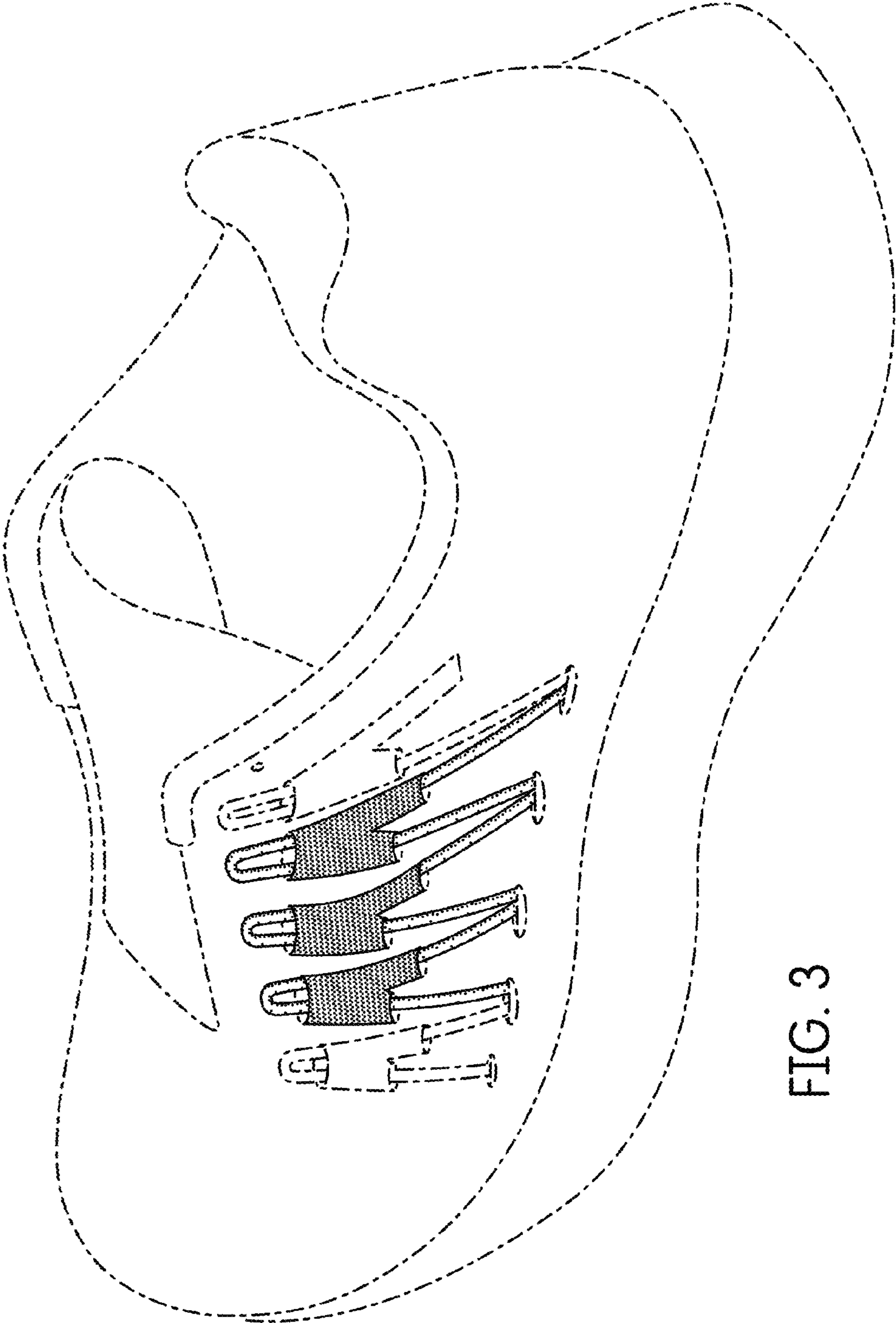


FIG. 3