



US00D737026S

(12) **United States Design Patent**
Litos

(10) **Patent No.:** **US D737,026 S**
(45) **Date of Patent:** **** Aug. 25, 2015**

(54) **CLOTHING PRODUCT**

(71) Applicant: **Lisa Litos**, South Dartmouth, MA (US)

(72) Inventor: **Lisa Litos**, South Dartmouth, MA (US)

(**) Term: **14 Years**

(21) Appl. No.: **29/472,914**

(22) Filed: **Nov. 18, 2013**

(51) **LOC (10) Cl.** **02-02**

(52) **U.S. Cl.**
USPC **D2/840**

(58) **Field of Classification Search**

USPC D2/728, 610, 720, 724, 718, 756-757,
D2/823, 860-864, 858, 840-850, 999;
2/46, 48, 49.1, 49.2, 49.3, 50, 51, 104,
2/16, 90, 114, 123, 125, 158, 170, 22,
2/224, 227, 242

CPC . A41B 1/00; A41D 13/0518; A41D 13/1245;
A41D 15/04; A41D 27/08; A41D 27/10;
A41D 27/18; A41D 13/04

See application file for complete search history.

(56) **References Cited**

U.S. PATENT DOCUMENTS

D473,363 S * 4/2003 Loussier et al. D2/848
D573,776 S * 7/2008 Thunstedt D2/840

D595,934 S * 7/2009 Senior-Bundrick D2/840
D630,821 S * 1/2011 Anderson D2/840
8,037,544 B2 * 10/2011 Kemper 2/51
D661,055 S * 6/2012 McKinley D2/840
D700,416 S * 3/2014 Stanley D2/720
D724,292 S * 3/2015 Amarasiriwardena
et al. D2/847
2011/0119803 A1 * 5/2011 Giroux 2/113
2015/0033451 A1 * 2/2015 Bradshaw 2/243.1

* cited by examiner

Primary Examiner — Wan Laymon

Assistant Examiner — Mark Booker

(74) *Attorney, Agent, or Firm* — Salter & Michaelson

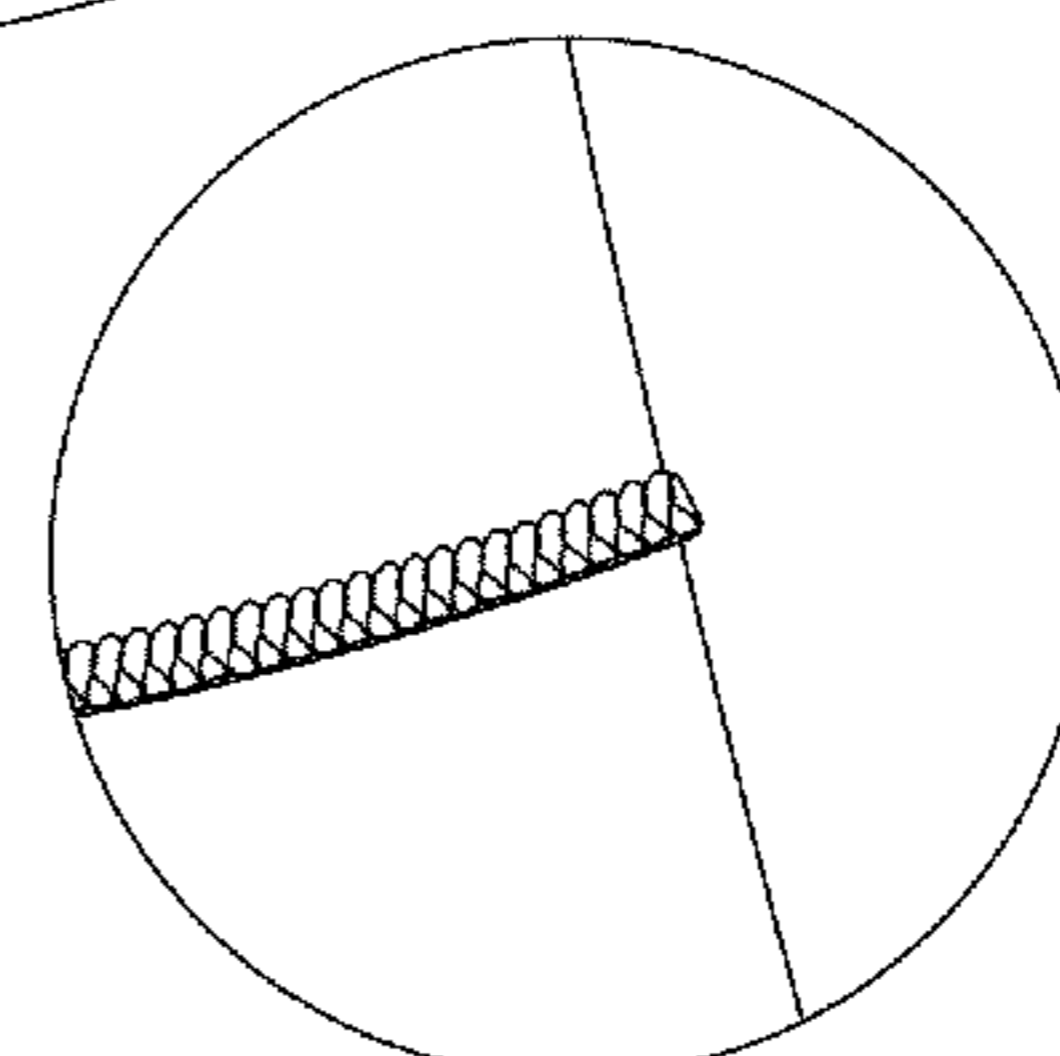
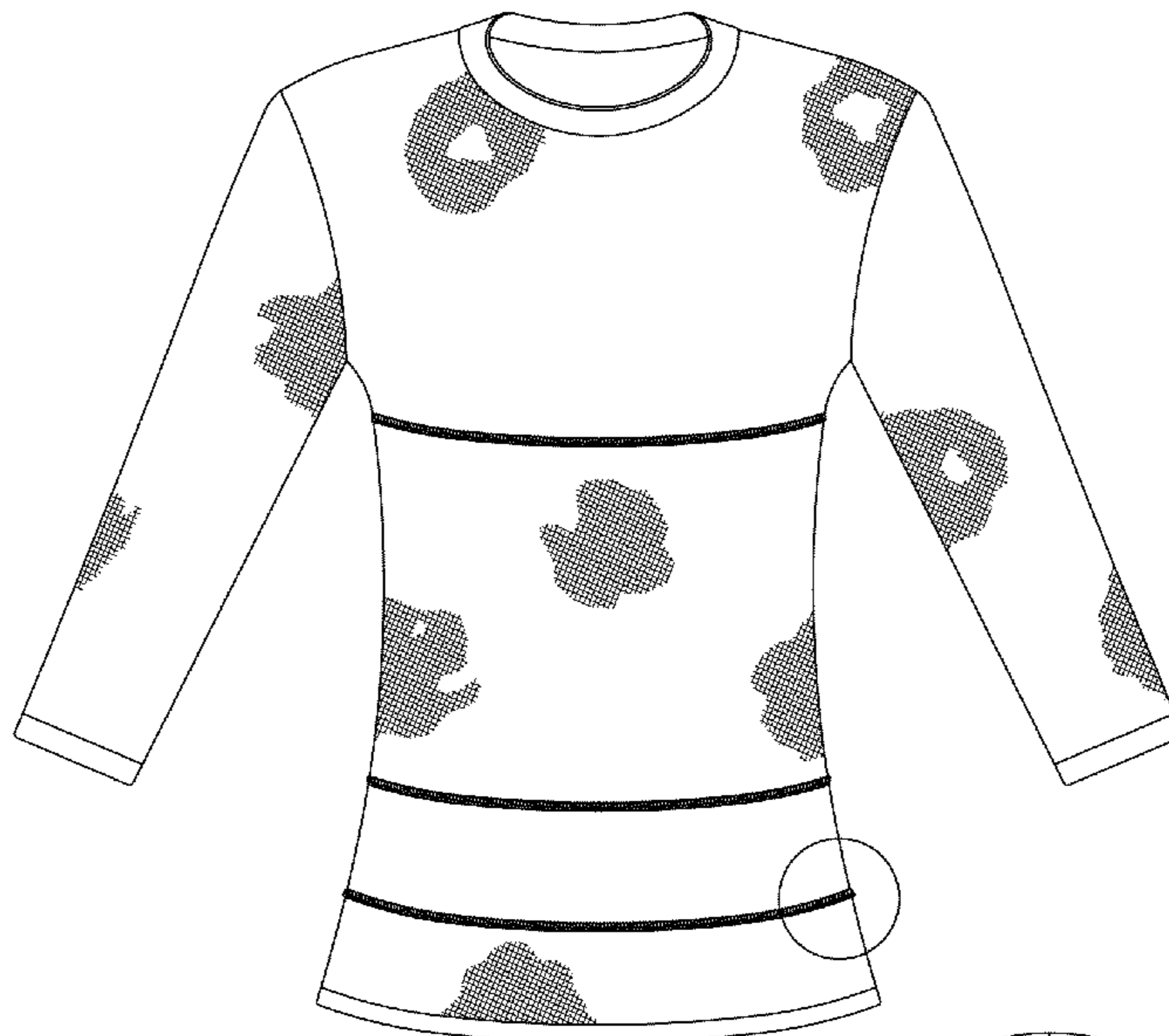
(57) **CLAIM**

The ornamental design for a clothing product, as shown and described.

DESCRIPTION

FIG. 1 is a front elevational view thereof;
FIG. 2 is a fragmentary enlarged view illustrating the design stitching portion;
FIG. 3 is a rear elevational view thereof;
FIG. 4 is a right side elevational view thereof; and,
FIG. 5 is a left side elevational view thereof.

1 Claim, 4 Drawing Sheets



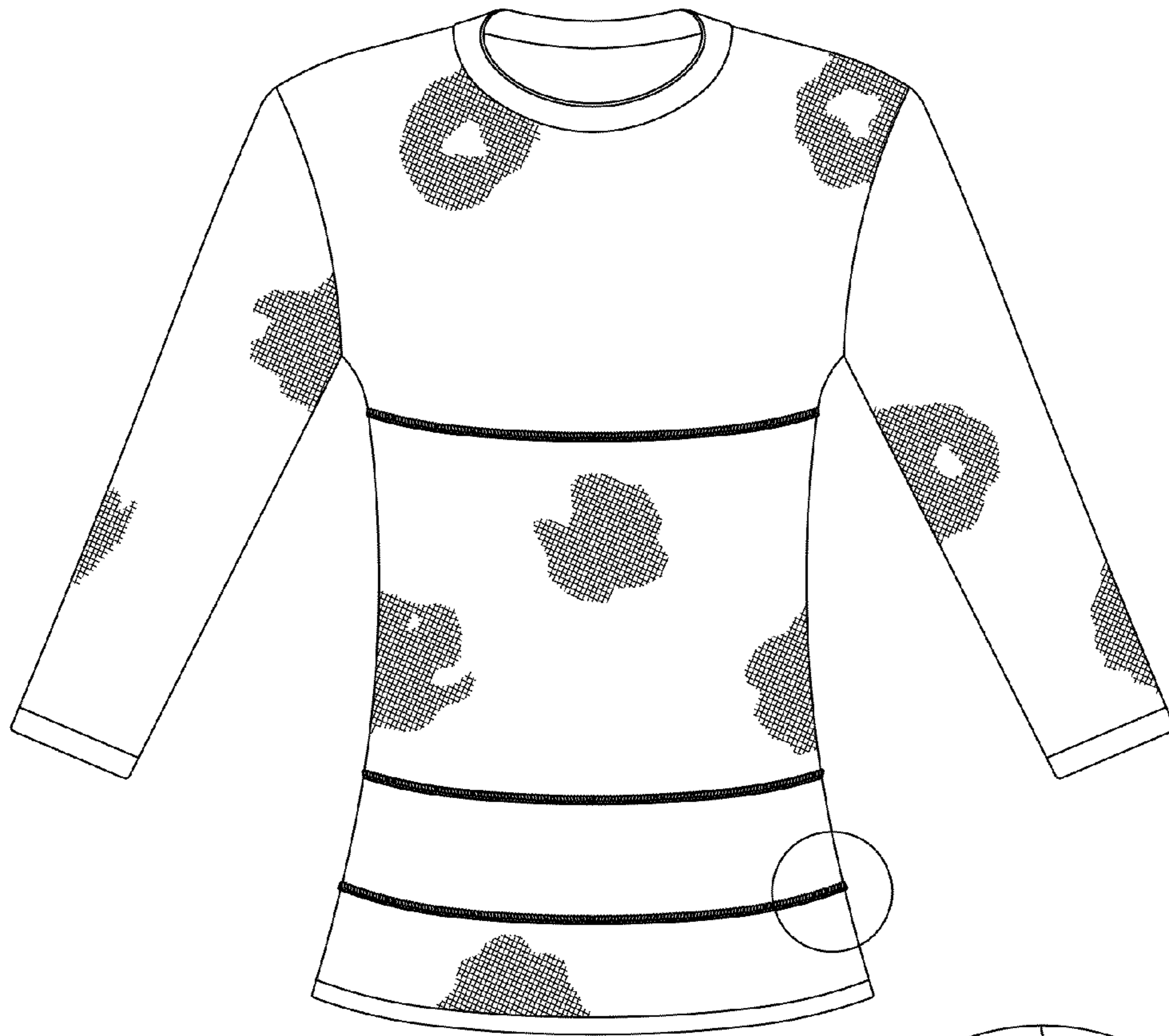


FIG. 1

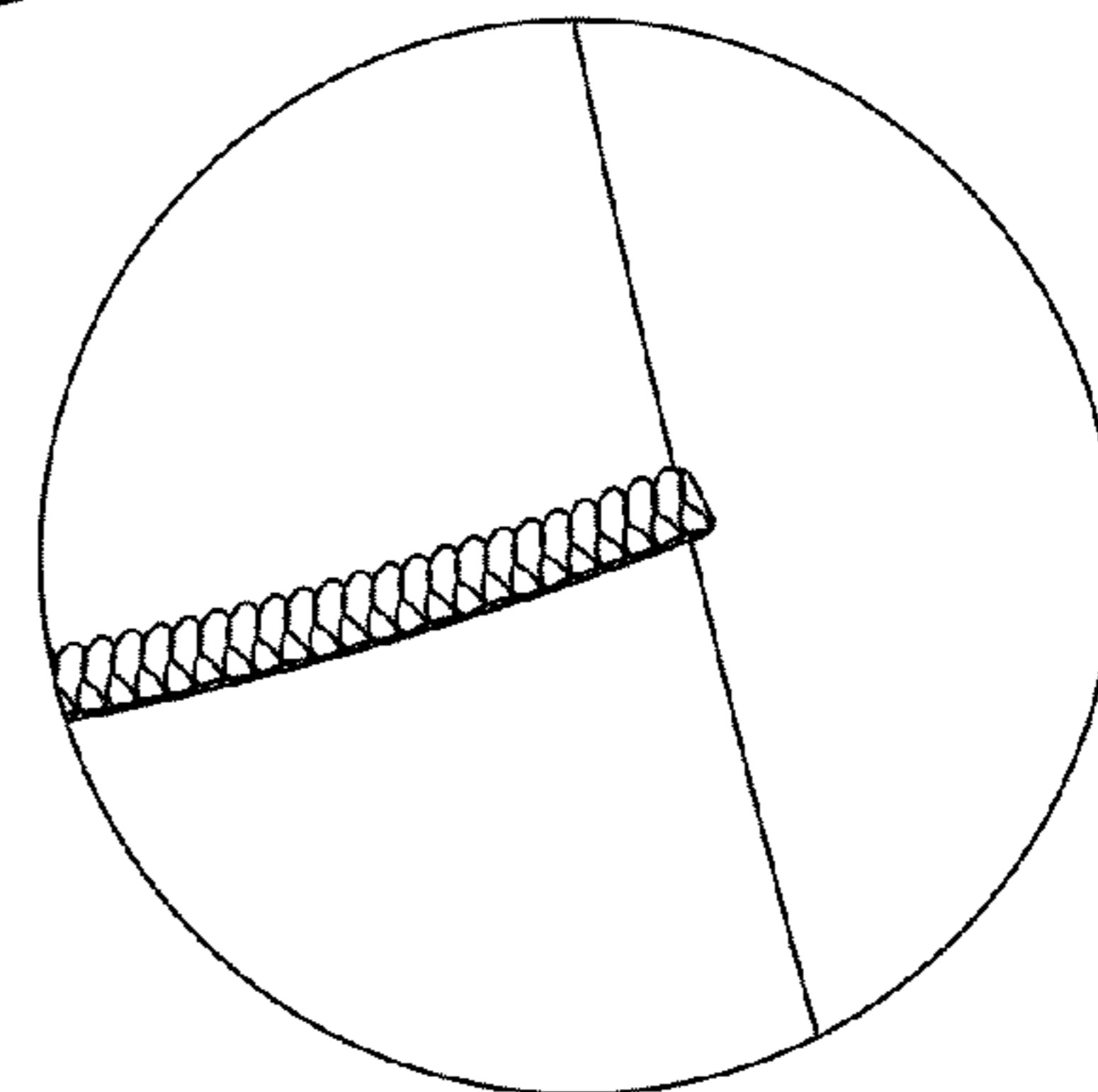


FIG. 2

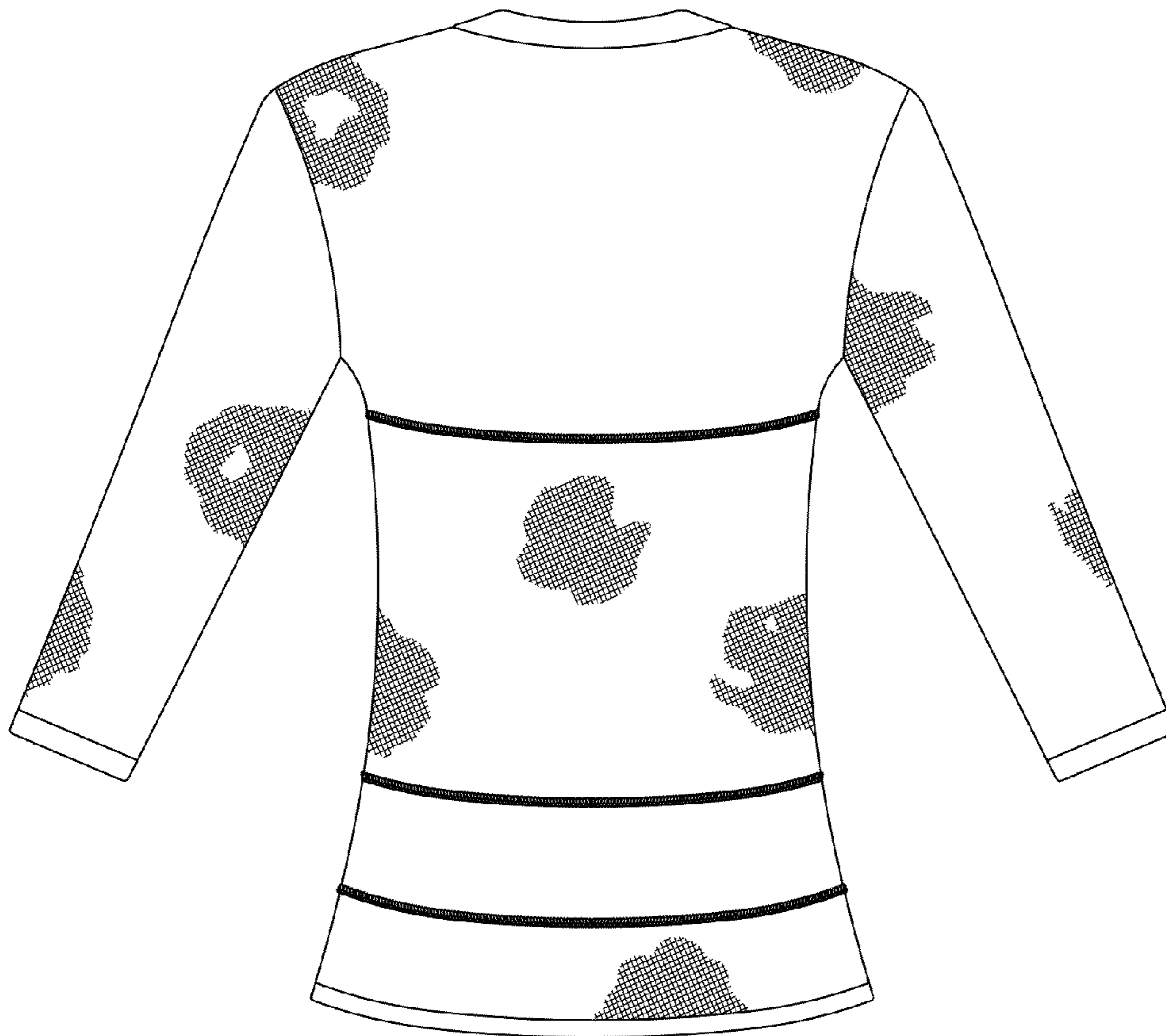


FIG. 3

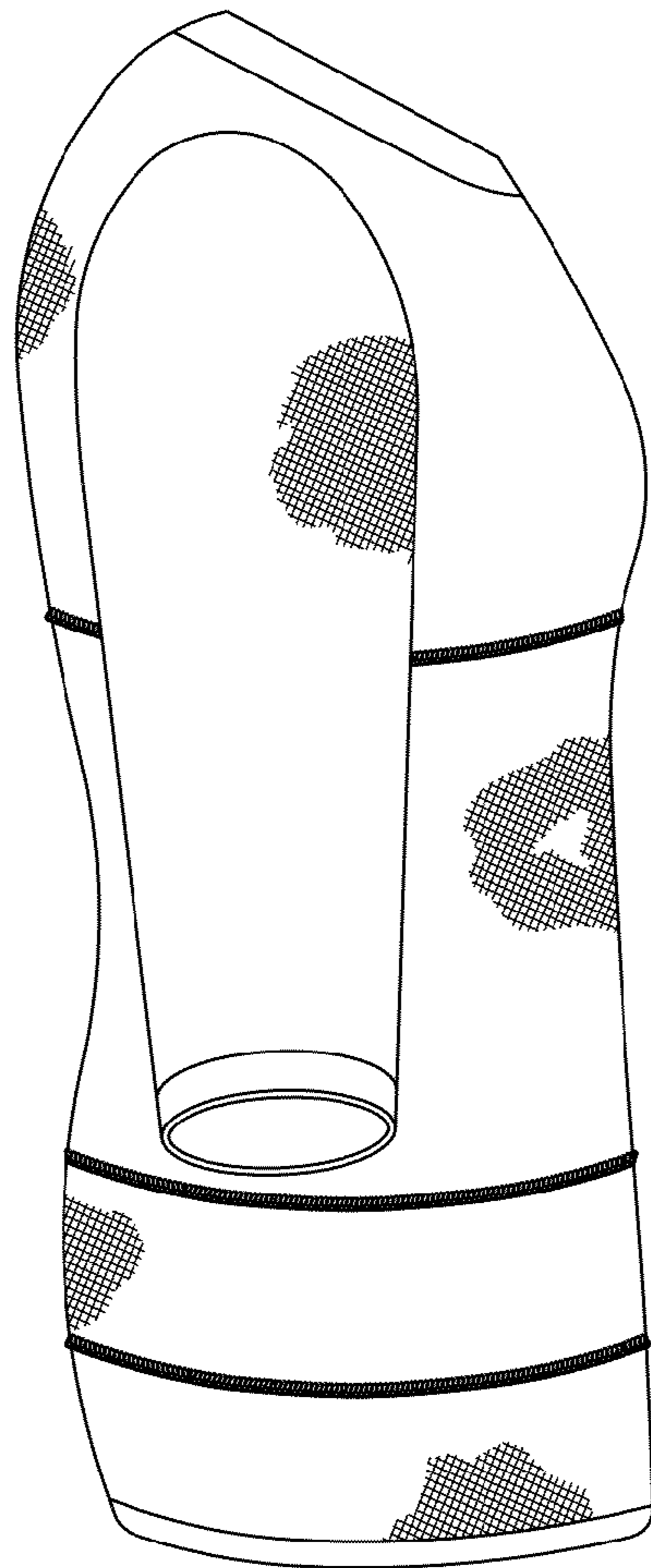


FIG. 4

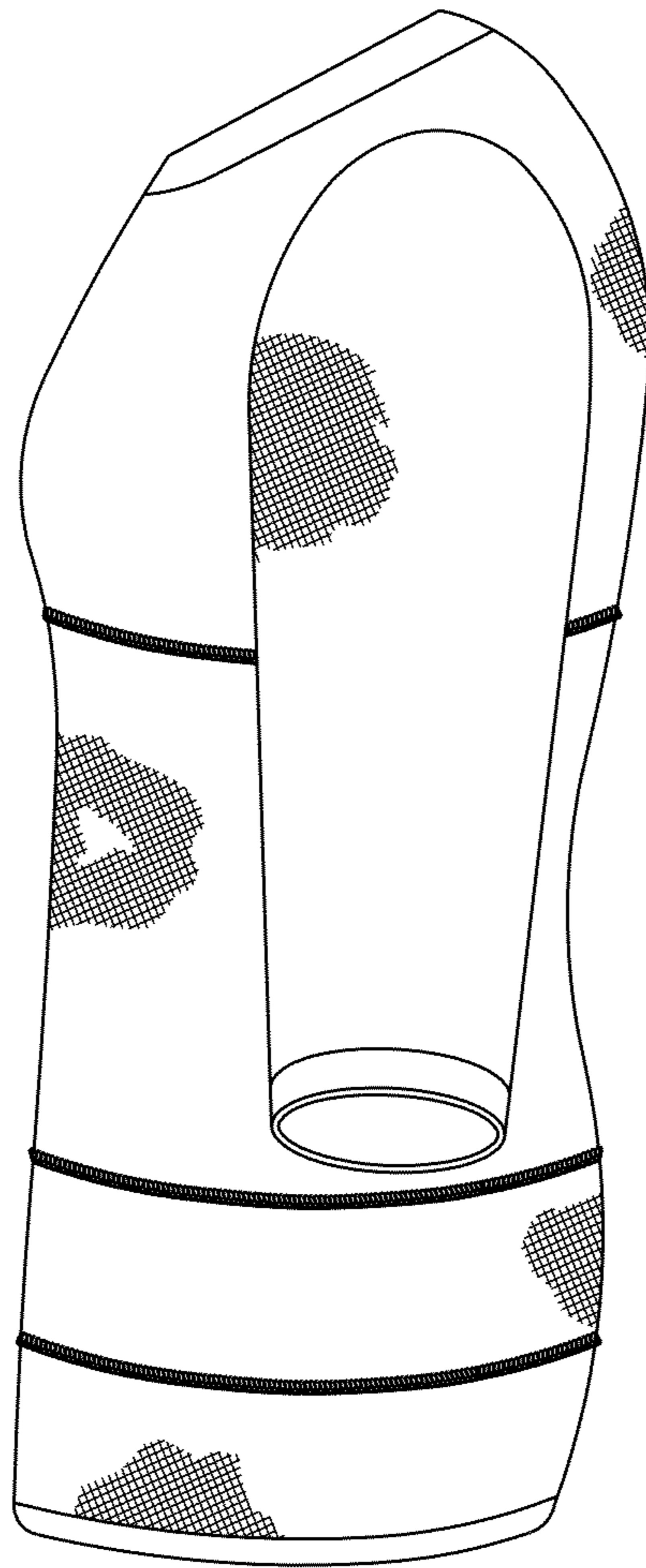


FIG. 5