



US00D737021S

(12) **United States Design Patent**  
**Gonzales**

(10) **Patent No.:** **US D737,021 S**  
(45) **Date of Patent:** **\*\* Aug. 25, 2015**

(54) **FEMININE HYGIENE UNDERGARMENT SET**

(71) Applicant: **Christena Gonzales**, Lubbock, TX (US)

(72) Inventor: **Christena Gonzales**, Lubbock, TX (US)

(\*\*) Term: **14 Years**

(21) Appl. No.: **29/445,178**

(22) Filed: **Feb. 8, 2013**

**Related U.S. Application Data**

(63) Continuation-in-part of application No. 12/775,693, filed on May 7, 2010, now abandoned.

(51) **LOC (10) Cl.** ..... **02-01**

(52) **U.S. Cl.**  
USPC ..... **D2/708**; D2/712; D2/716

(58) **Field of Classification Search**  
USPC ..... D2/700, 701–713, 716, 731, 736, 737, D2/853; 600/38, 39, 41; 604/308, 331, 604/347, 354, 358, 387, 388, 393, 345, 346, 604/395, 396, 399, 400, 401, 402; 2/67, 73, 2/76, 78.1, 78.2, 78.3, 78.4, 109, 267, 2/400, 401, 402, 403, 404, 406, 407, 2/408; D24/122, 124, 125, 126, 127, D24/128, 189, 215; D29/101.5; 450/2, 28, 450/67, 92, 94, 97, 100, 102, 103, 104, 109, 450/112, 113, 118, 124, 125, 136, 153  
See application file for complete search history.

(56) **References Cited**

**U.S. PATENT DOCUMENTS**

D87,112 S *	6/1932	Greig	.....	D2/708
2,118,406 A *	5/1938	Klin	.....	450/28
D149,561 S *	5/1948	Keller	.....	D2/708
D156,485 S *	12/1949	Cohn	.....	D2/707
5,370,632 A	12/1994	Beplate		
5,496,205 A	3/1996	Lee		
5,842,230 A *	12/1998	Laudick	.....	2/69
6,018,823 A	2/2000	Ortmeier		

(Continued)

**OTHER PUBLICATIONS**

Feminine Hygiene Undergarment Set [online]. For Sale by Inventor [retrieved on Dec. 15, 2014]. Retrieved from the Internet:< http://forsalebyinventor.com/products/portfolio-item/feminine-hygiene-undergarment-set/>.\*

*Primary Examiner* — Barbara Fox

*Assistant Examiner* — Jennifer L Rempfer

(74) *Attorney, Agent, or Firm* — Robert C. Montgomery; Montgomery Patent & Design, LP.

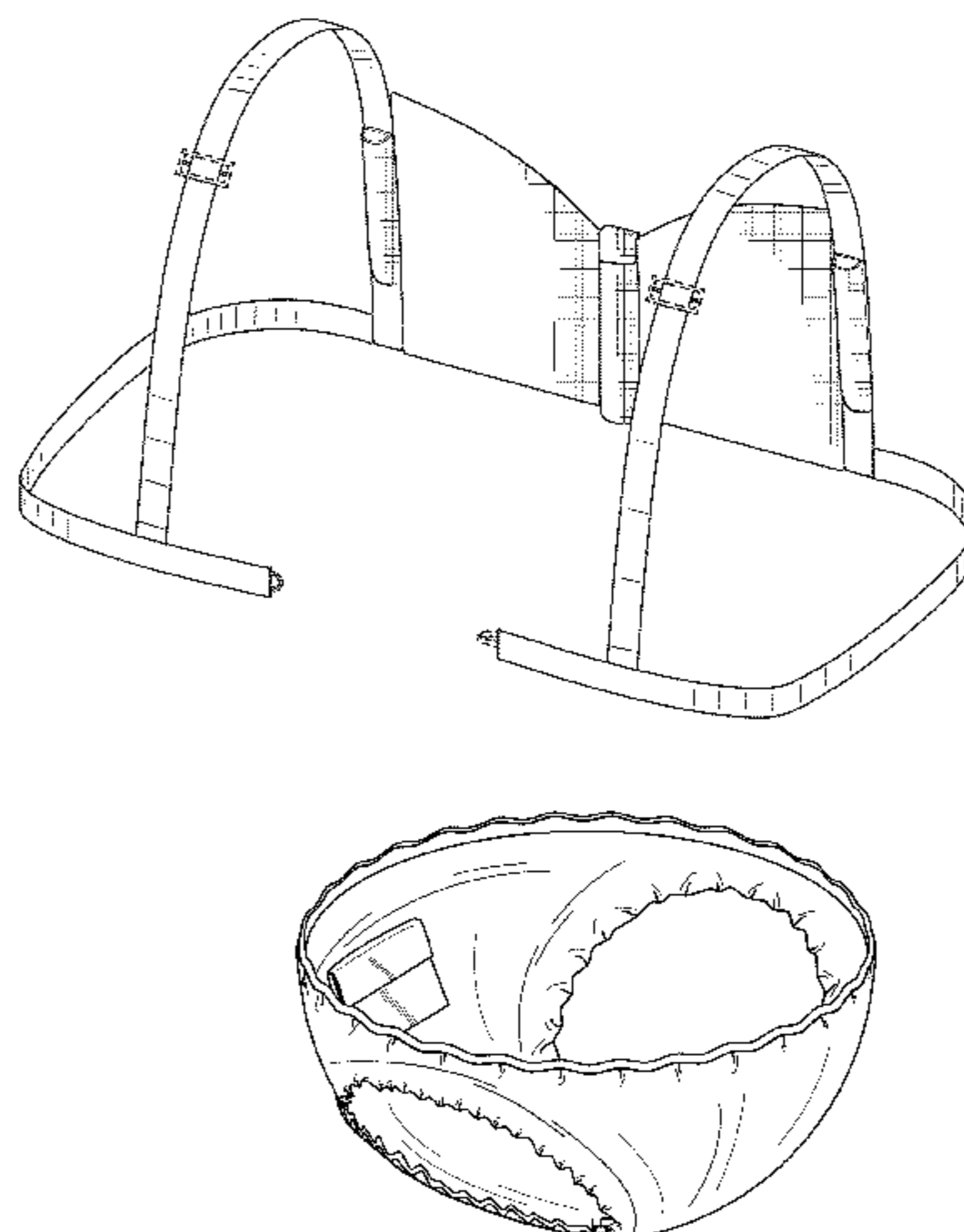
(57) **CLAIM**

The ornamental design for a feminine hygiene undergarment set, as shown and described.

**DESCRIPTION**

FIG. 1 is an isometric view of a feminine hygiene undergarment set showing the new design, showing the brassiere portion separately for ease of illustration; FIG. 2 is a front view thereof; FIG. 3 is a rear view thereof; FIG. 4 is a right hand side view thereof; FIG. 5 is a left hand side view thereof; FIG. 6 is a top view thereof; FIG. 7 is a bottom view thereof; FIG. 8 is an isometric view of a feminine hygiene undergarment set showing the new design, showing the panties portion separately for ease of illustration; FIG. 9 is a front view thereof, wherein the rear view is a mirror image of the front view; FIG. 10 is a right hand side view thereof; FIG. 11 is a top view thereof; FIG. 12 is a bottom view thereof; and, FIG. 13 is an isometric view of a feminine hygiene undergarment set illustrating the brassiere portion and the panties portion together. The broken lines shown in the drawings represent portions of the feminine hygiene undergarment set that form no part of the claimed design.

**1 Claim, 12 Drawing Sheets**



(56)

**References Cited**

U.S. PATENT DOCUMENTS

6,174,217 B1 1/2001 Judson  
6,308,340 B1 10/2001 Cook  
D450,422 S \* 11/2001 Spencer et al. .... D2/709  
D469,240 S \* 1/2003 Weinberg et al. .... D2/700  
D483,921 S \* 12/2003 Wilder ..... D2/706

6,772,446 B1 8/2004 Black  
D530,884 S 10/2006 Johnson-Smith  
D630,817 S \* 1/2011 McKee ..... D2/706  
2005/0090795 A1\* 4/2005 Coleman ..... 604/387  
2011/0225700 A1\* 9/2011 Kogut ..... 2/113  
2012/0028541 A1\* 2/2012 Donnelly et al. .... 450/86  
2014/0259306 A1\* 9/2014 Shinn et al. .... 2/406

\* cited by examiner

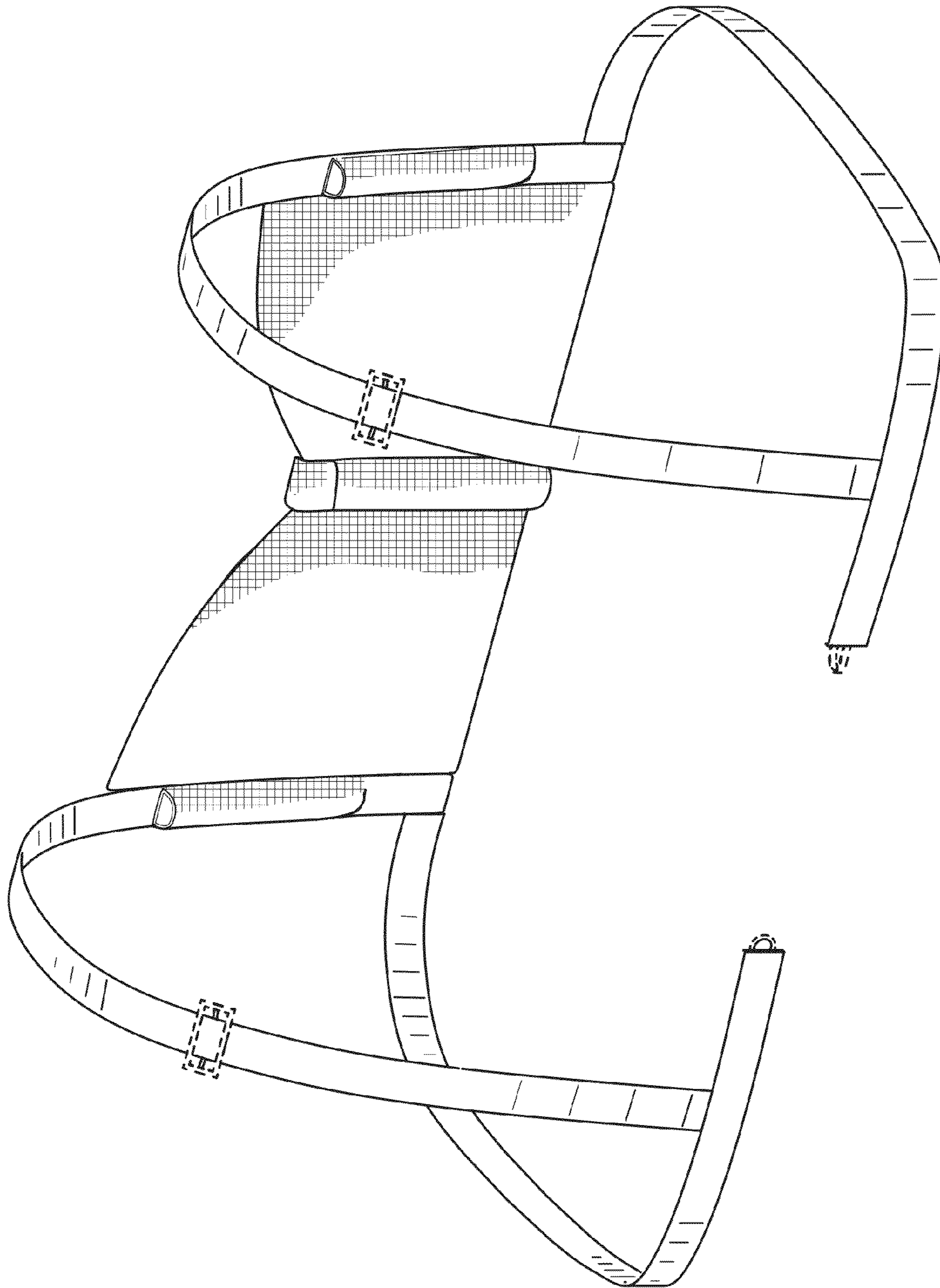


Fig. 1

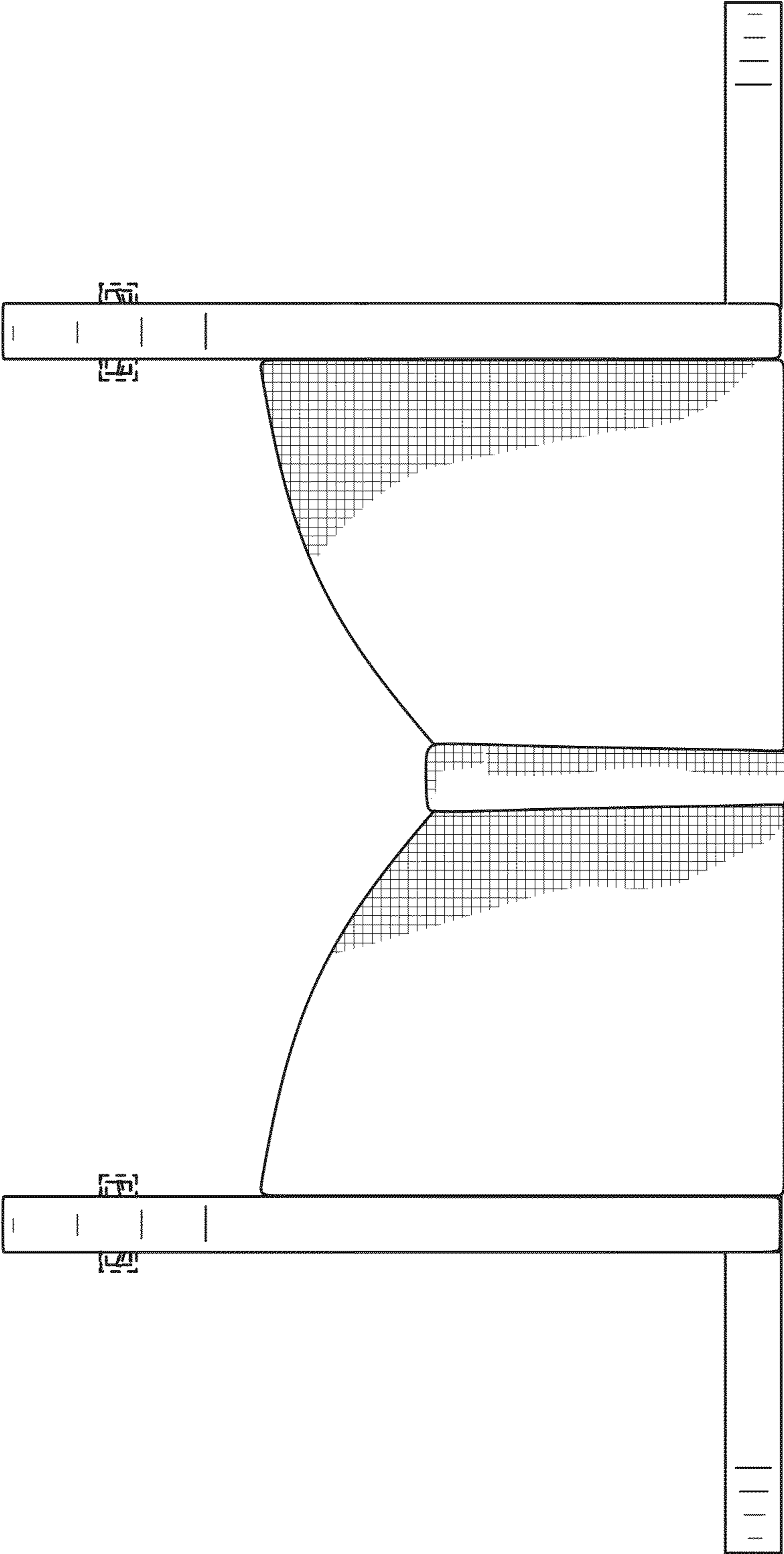


Fig. 2

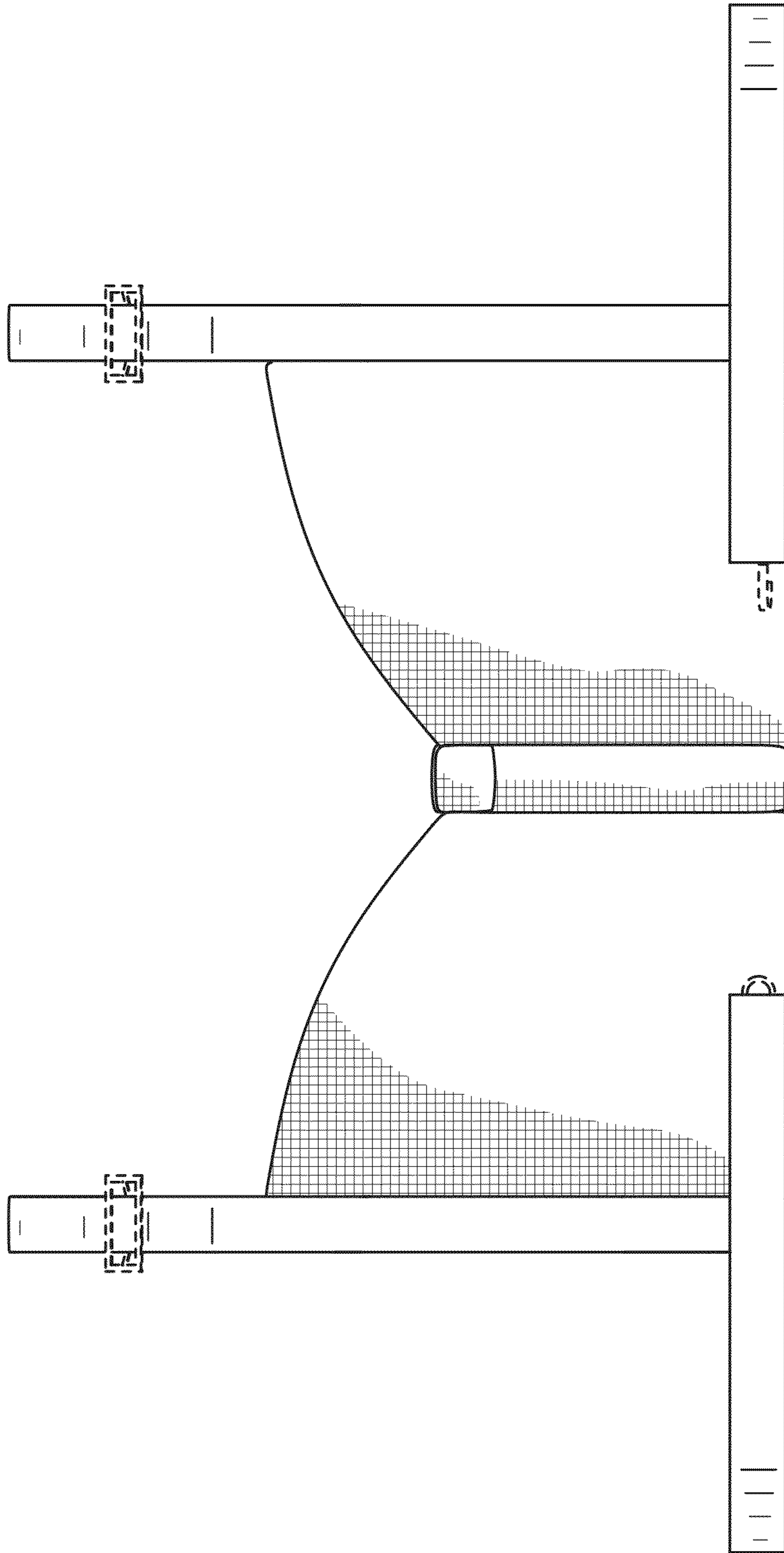


Fig. 3

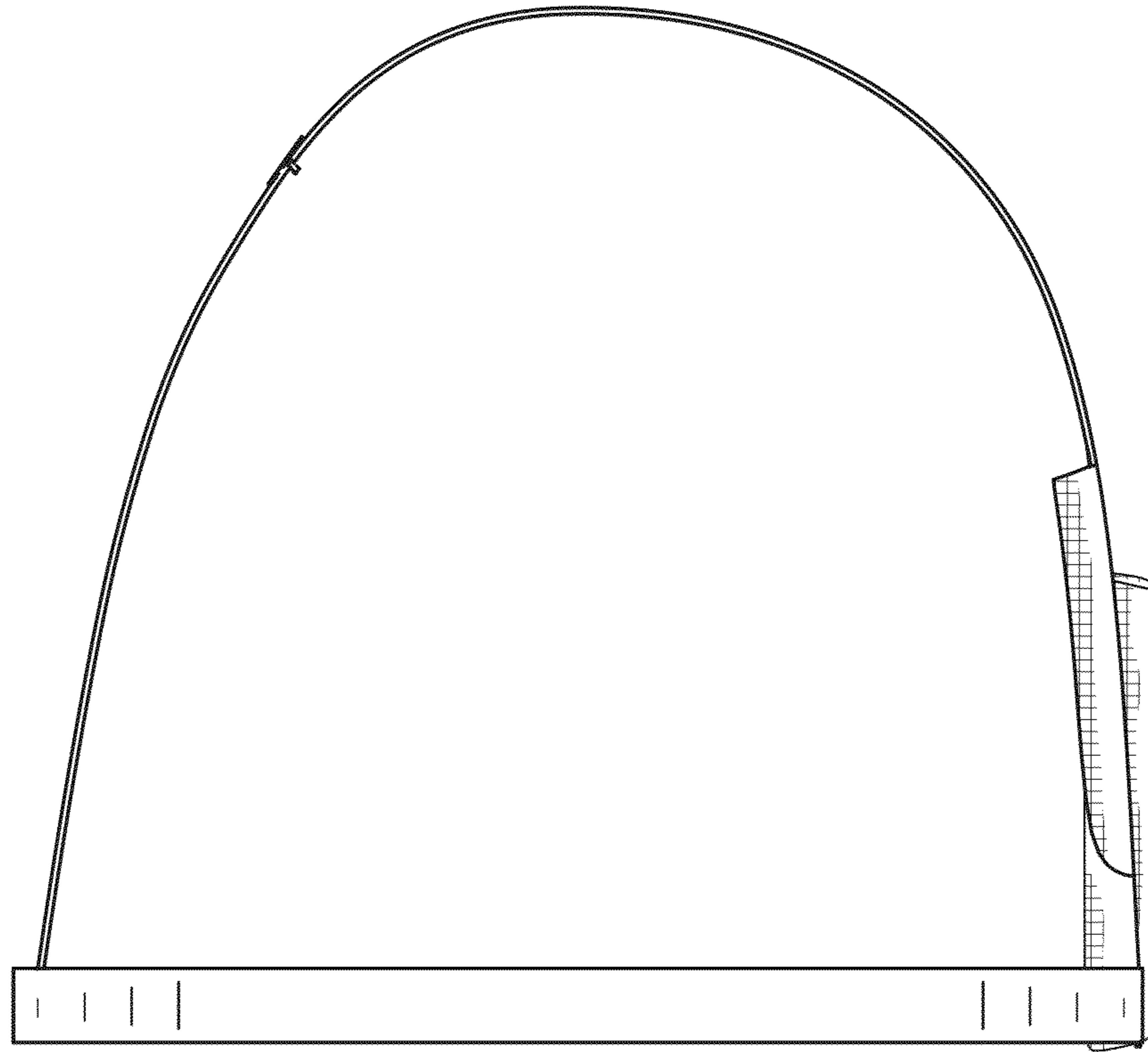


Fig. 4

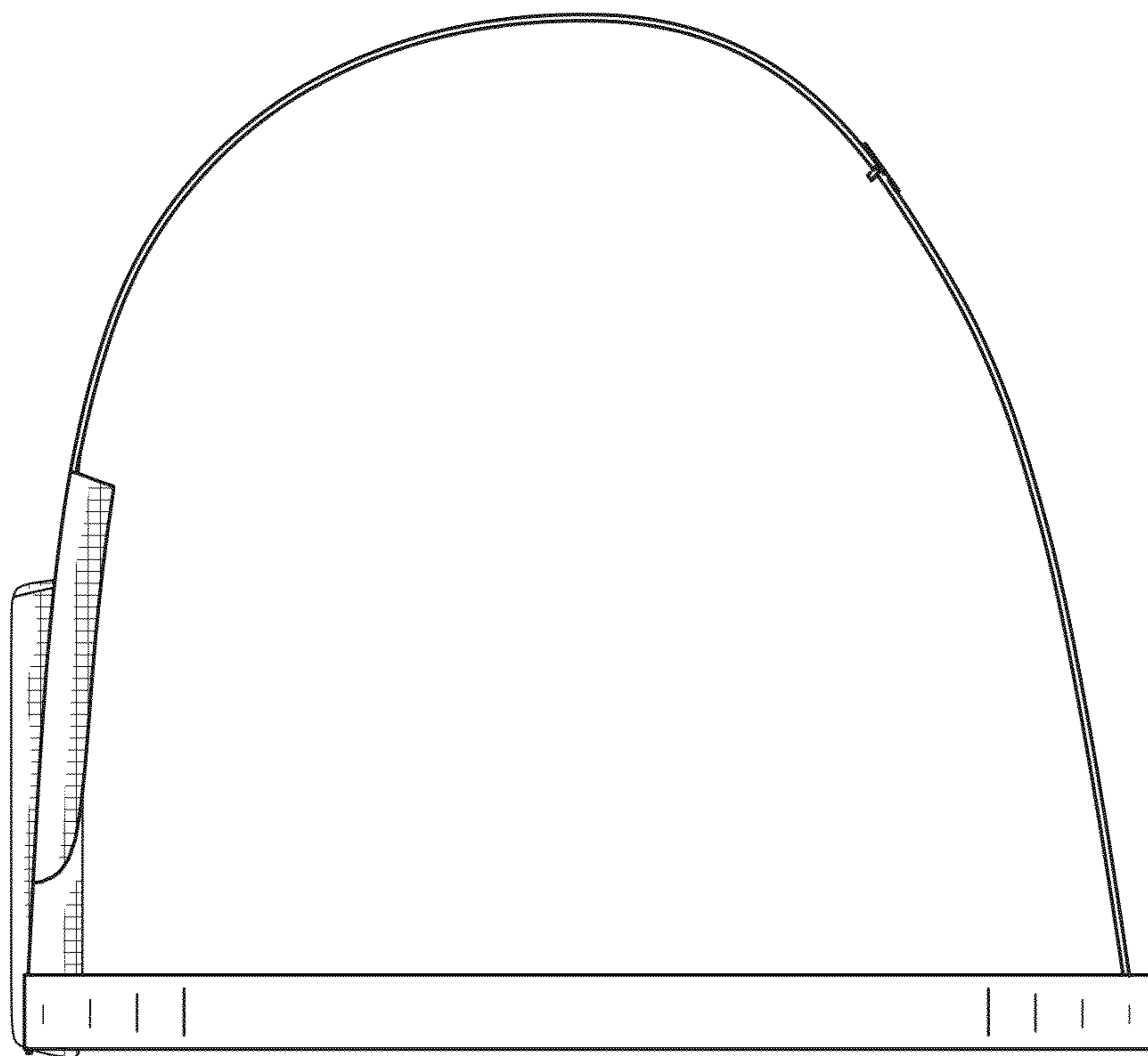


Fig. 5

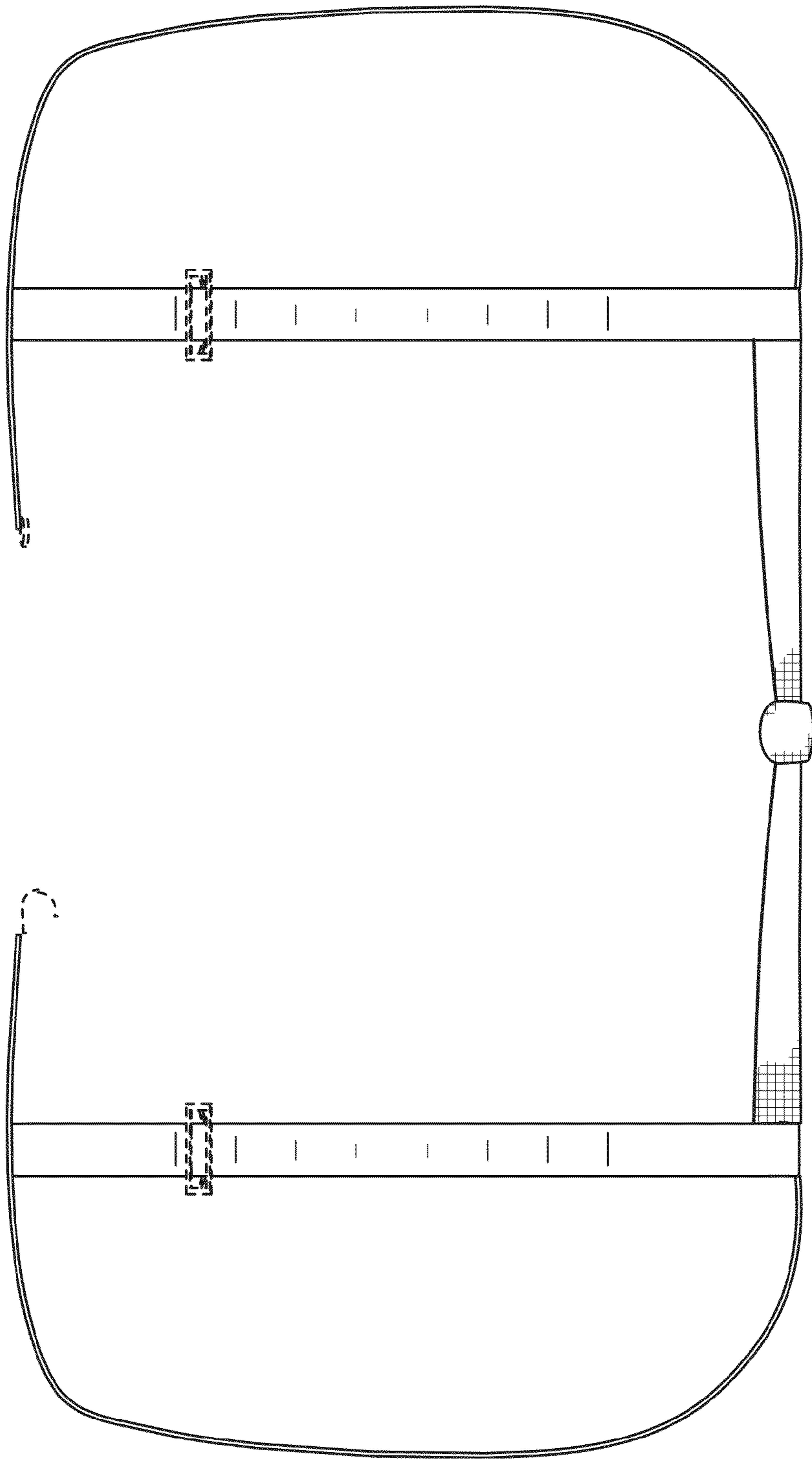


Fig. 6



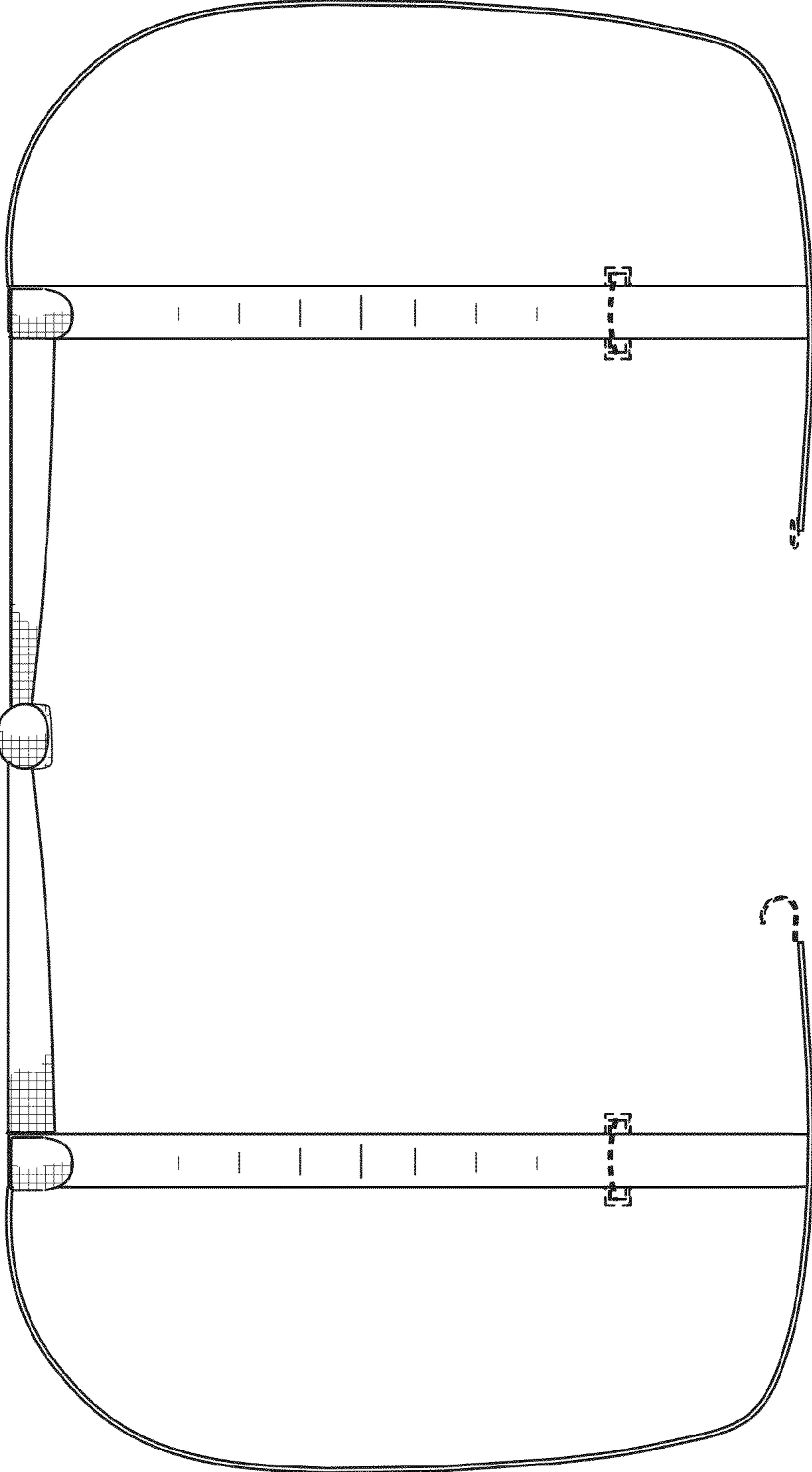


Fig. 7

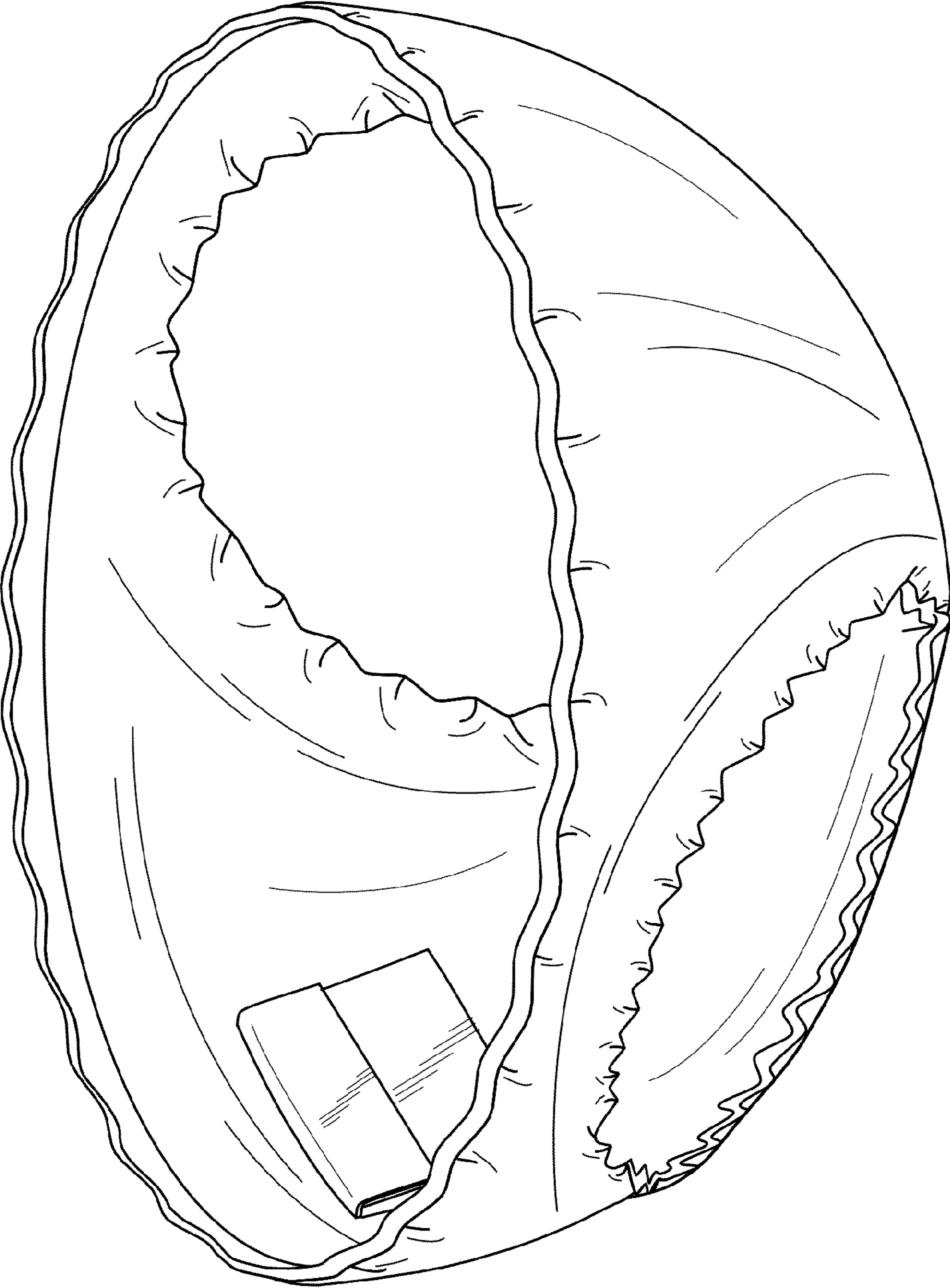


Fig. 8

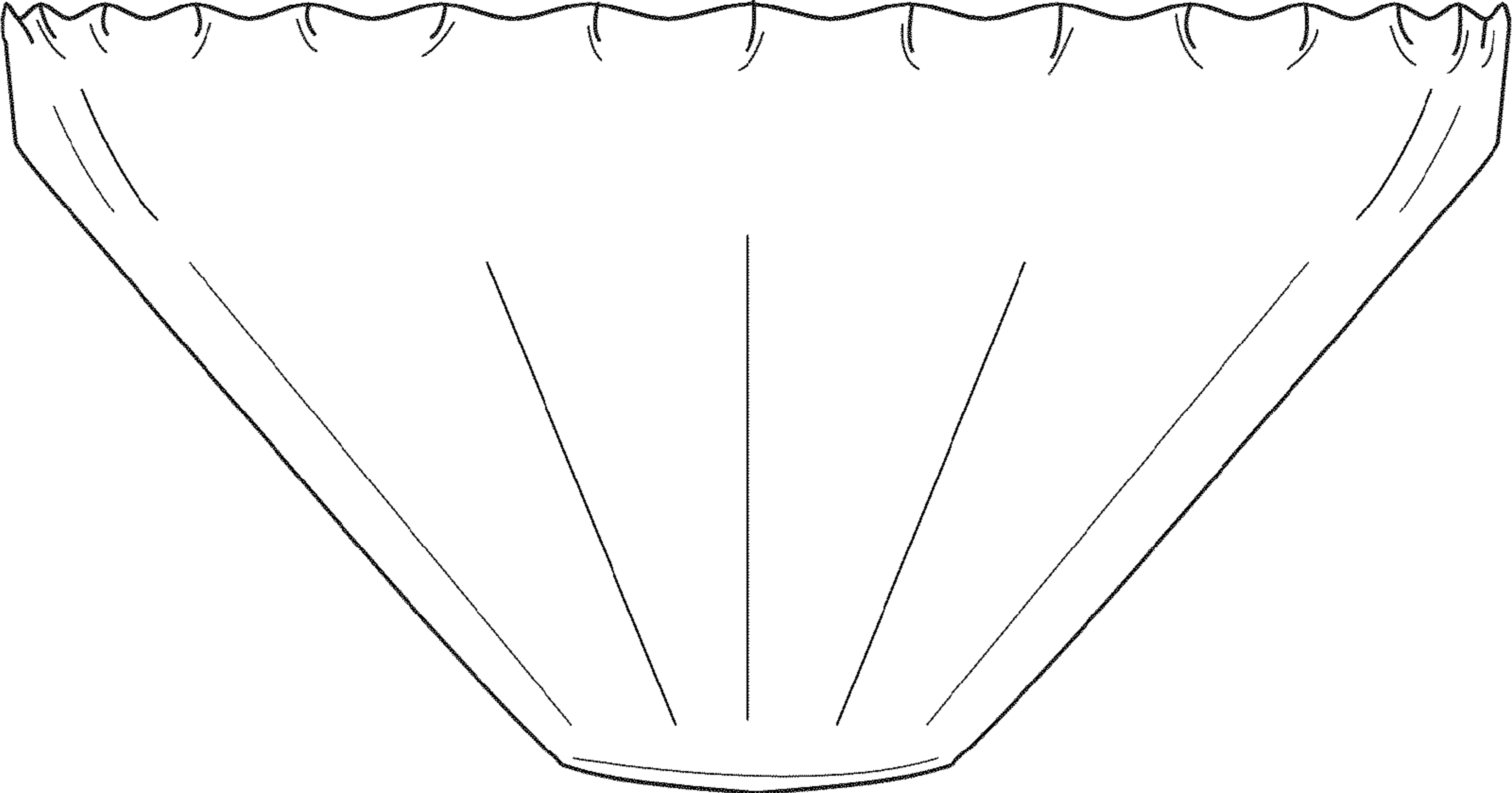


Fig. 9

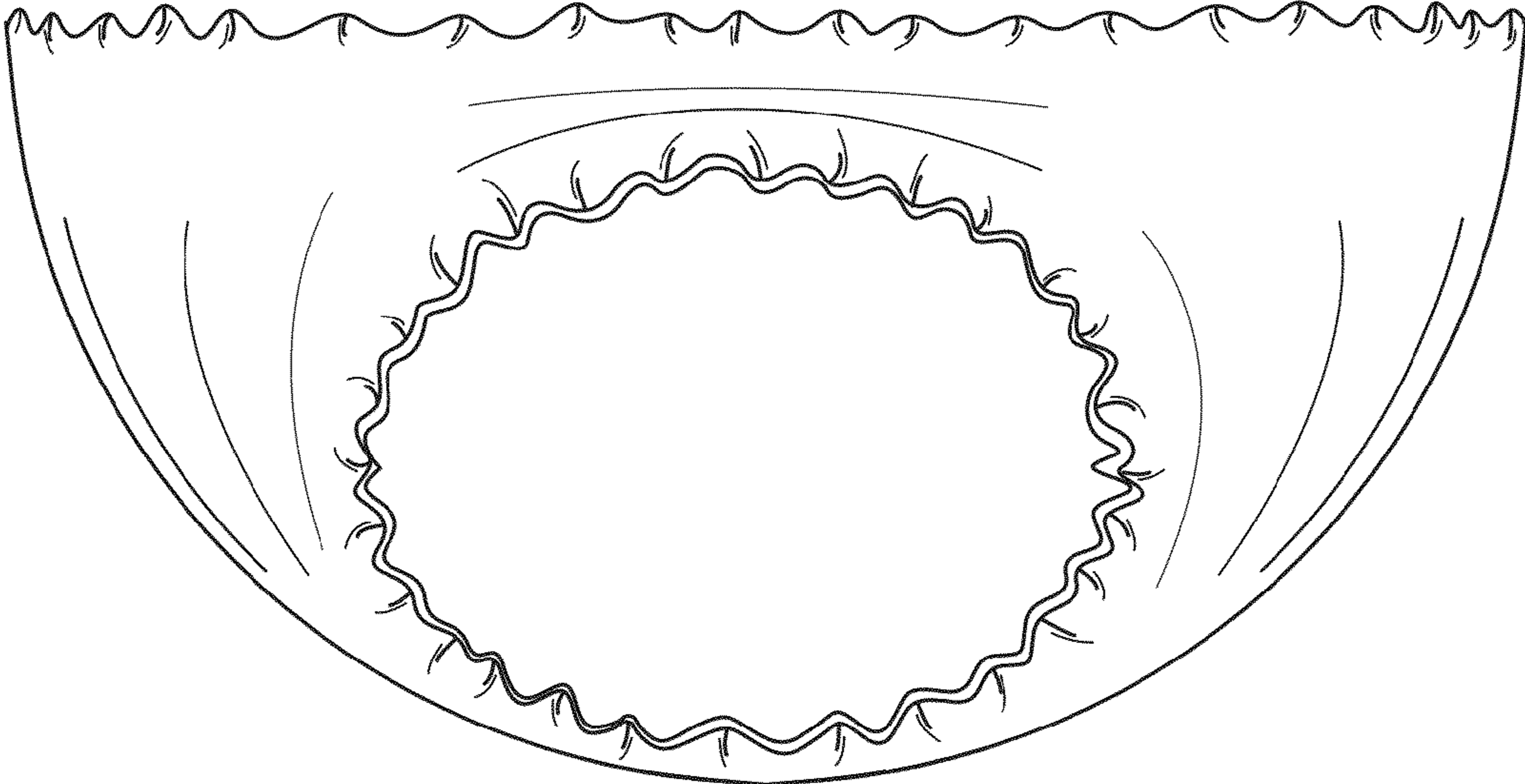


Fig. 10

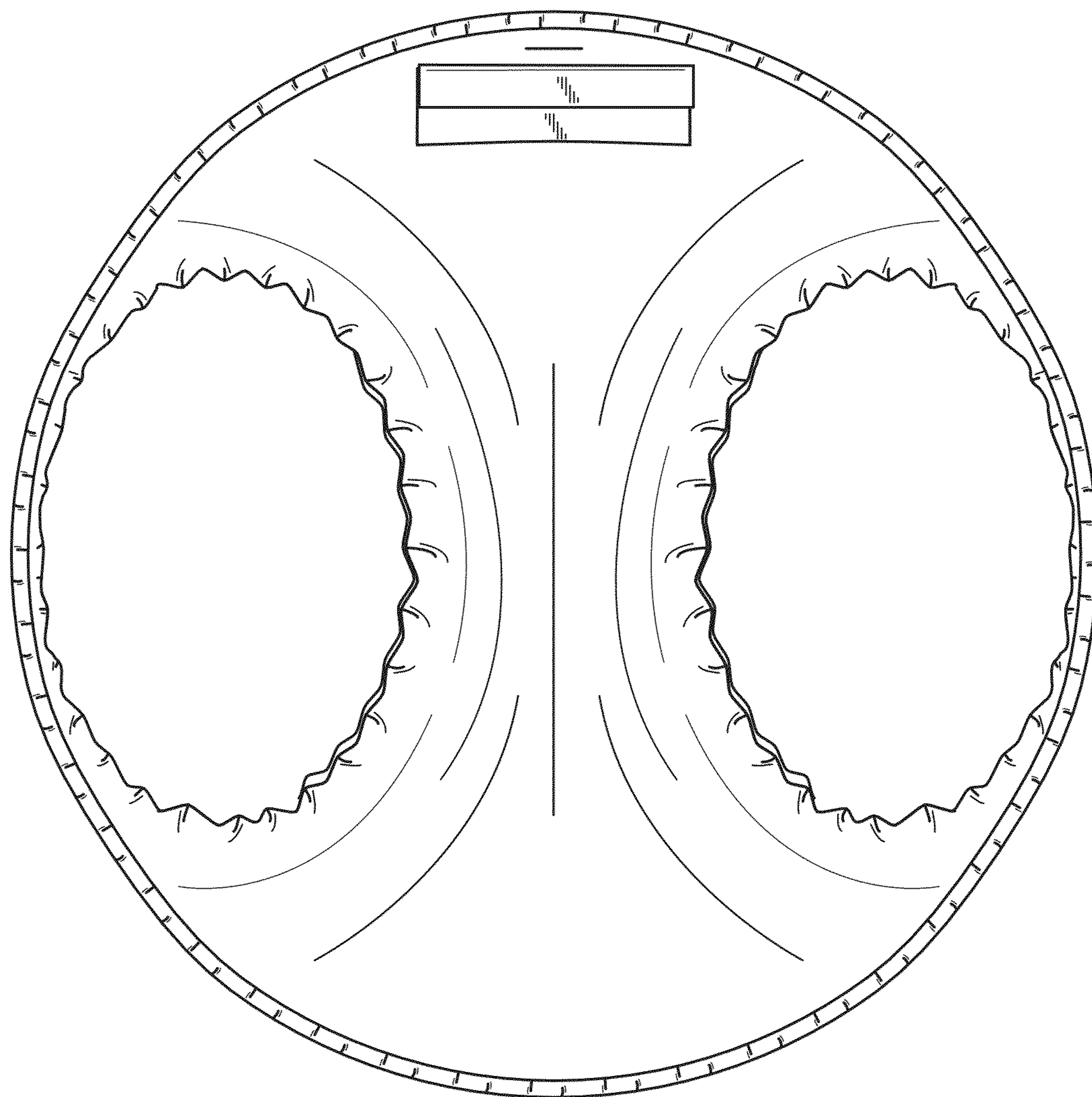


Fig. 11

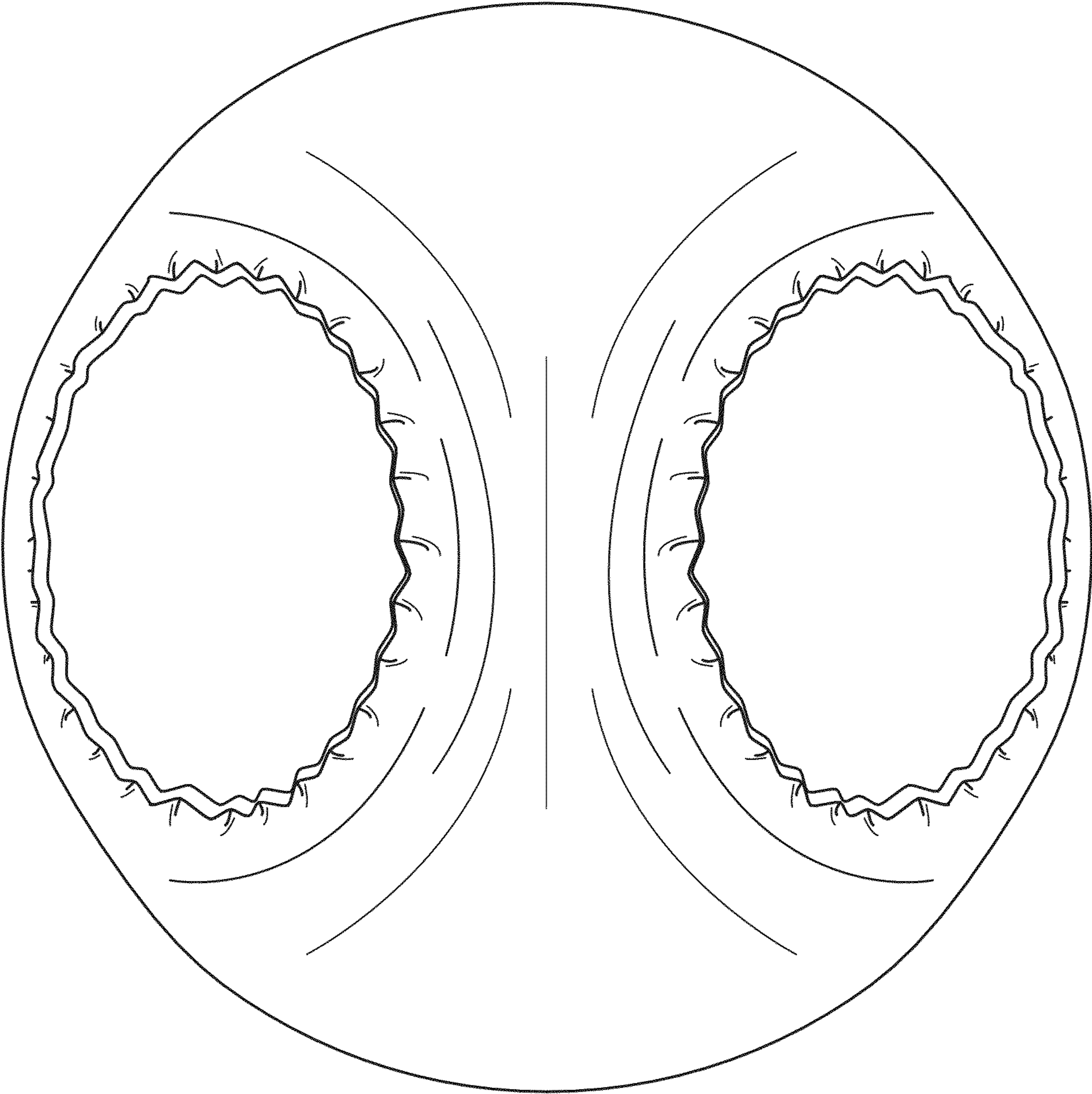


Fig. 12

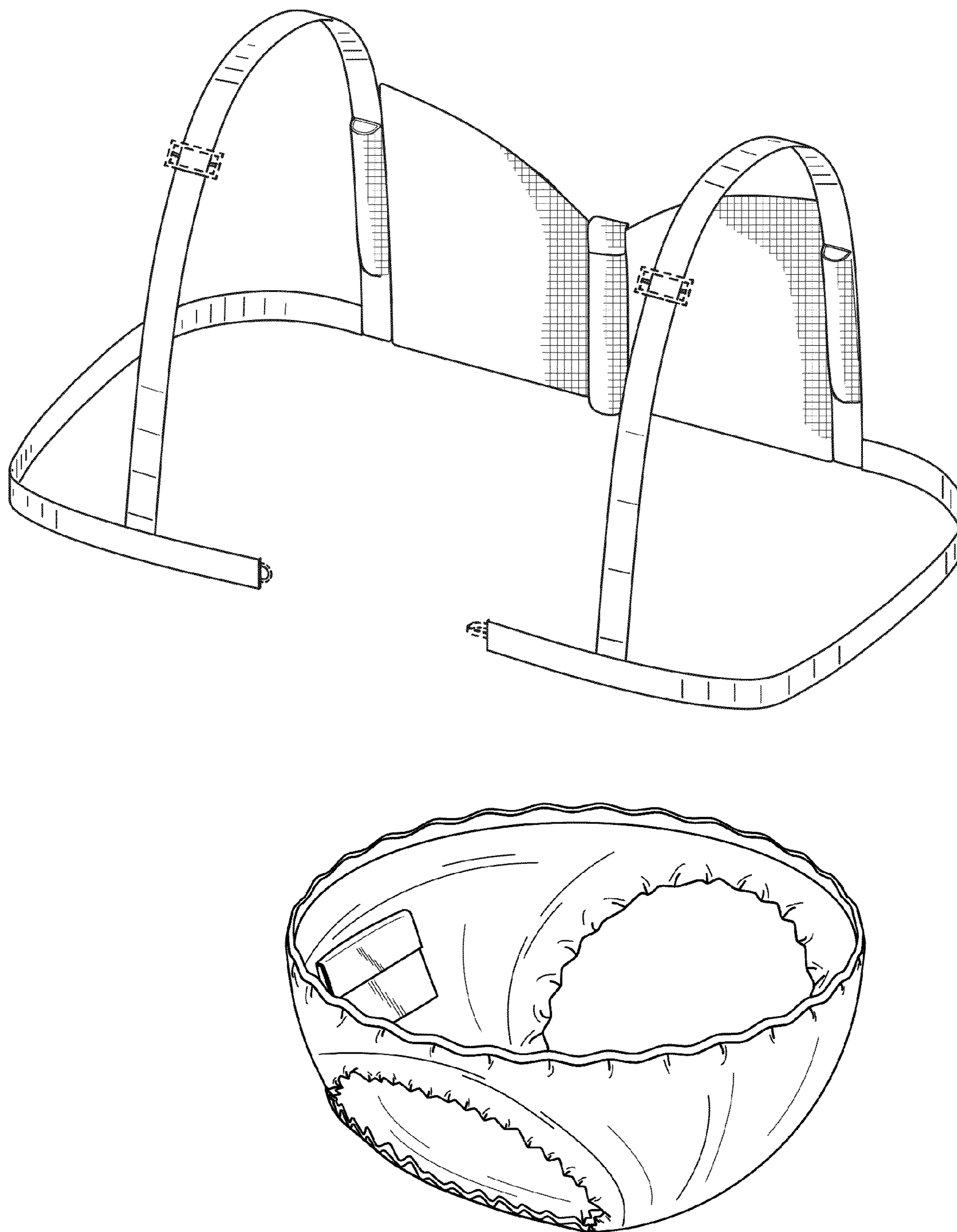


Fig. 13