



US00D737015S

(12) **United States Design Patent**
Reed et al.

(10) **Patent No.:** **US D737,015 S**

(45) **Date of Patent:** **** Aug. 18, 2015**

(54) **OAR CARRIER**

(71) Applicants: **Timothy M. Reed**, Gansevoort, NY
(US); **Timothy S. Reed**, Gansevoort, NY
(US)

(72) Inventors: **Timothy M. Reed**, Gansevoort, NY
(US); **Timothy S. Reed**, Gansevoort, NY
(US)

(**) Term: **14 Years**

(21) Appl. No.: **29/522,878**

(22) Filed: **Apr. 3, 2015**

Related U.S. Application Data

(63) Continuation of application No. 29/452,509, filed on
Apr. 17, 2013, now Pat. No. Des. 728,890.

(51) **LOC (10) Cl.** **12-05**

(52) **U.S. Cl.**
USPC **D34/28**

(58) **Field of Classification Search**
USPC D34/28; 114/343, 364; 224/917, 913,
224/42.4, 42.38, 42.14, 42.15, 310;
248/68.1, 73, 316.8, 907; 211/60.1,
211/70.8, 182

See application file for complete search history.

(56) **References Cited**

U.S. PATENT DOCUMENTS

2,376,955 A	5/1945	Ball
2,797,851 A	7/1957	Leake
3,116,730 A	1/1964	Tingley
4,352,337 A	10/1982	Wyoral
4,453,490 A	6/1984	Miller
4,777,900 A	10/1988	Abeene et al.
4,863,082 A	9/1989	Evans et al.
5,005,509 A	4/1991	Williams
5,906,304 A	5/1999	Baldacchino
D441,653 S	5/2001	LeRoux
6,386,377 B1	5/2002	Yeoman
D643,991 S	8/2011	Miller et al.

D659,723 S	5/2012	Hoover	
D702,550 S	4/2014	Rendo	
D728,890 S *	5/2015	Reed et al. D34/28
2001/0048053 A1	12/2001	Donoho	
2010/0116946 A1	5/2010	Ginsberg	
2011/0290952 A1	12/2011	Masters et al.	
2014/0312191 A1	10/2014	Reed et al.	
2014/0332639 A1	11/2014	Ahlem et al.	

OTHER PUBLICATIONS

Non-final Office Action issued for related Utility U.S. Appl. No.
14/253,498 mailed on Mar. 13, 2015.

* cited by examiner

Primary Examiner — Cynthia Ramirez
(74) *Attorney, Agent, or Firm* — Tech Valley Patent, LLC;
John Pietrangelo

(57) **CLAIM**
The ornamental design for an oar carrier, as shown and
described.

DESCRIPTION

This application is related to co-ending U.S. Non-Provisional
application Ser. No. 14/253,498, filed on Apr. 15, 2014, the
disclosures of which are included by reference herein in their
entirety.

FIG. 1 is a front perspective view of an oar carrier showing
our new design;

FIG. 2 is a front elevation view thereof, the rear elevation view
being a mirror image thereof;

FIG. 3 is a left side elevation view thereof;

FIG. 4 is a right side elevation view thereof;

FIG. 5 is a top view thereof;

FIG. 6 is a bottom view thereof; and,

FIG. 7 is a front perspective view of the new design in a
typical environment, the rear perspective view being a mirror
image thereof.

The broken lines shown in the figures are included for the
purposes of illustrating environment and form no part of the
claimed design.

1 Claim, 5 Drawing Sheets

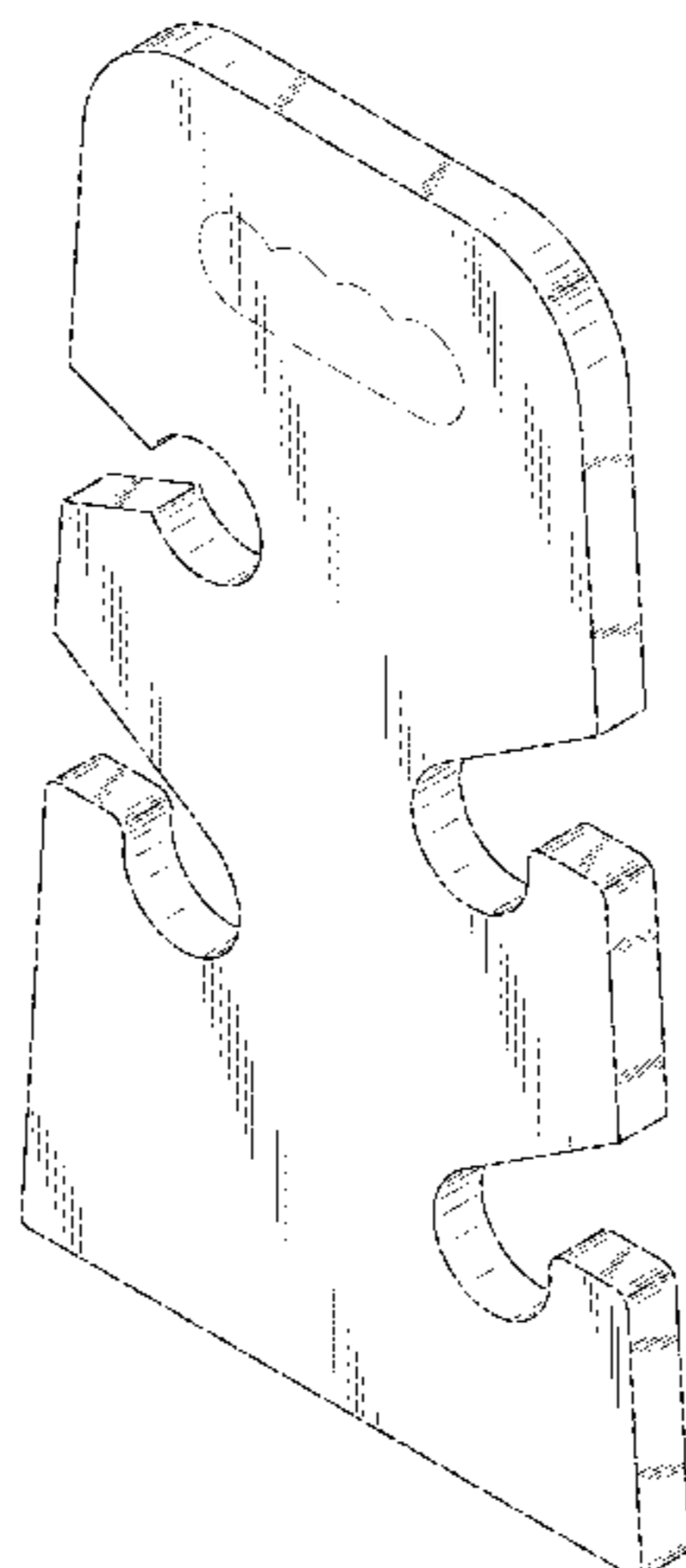


FIG. 1

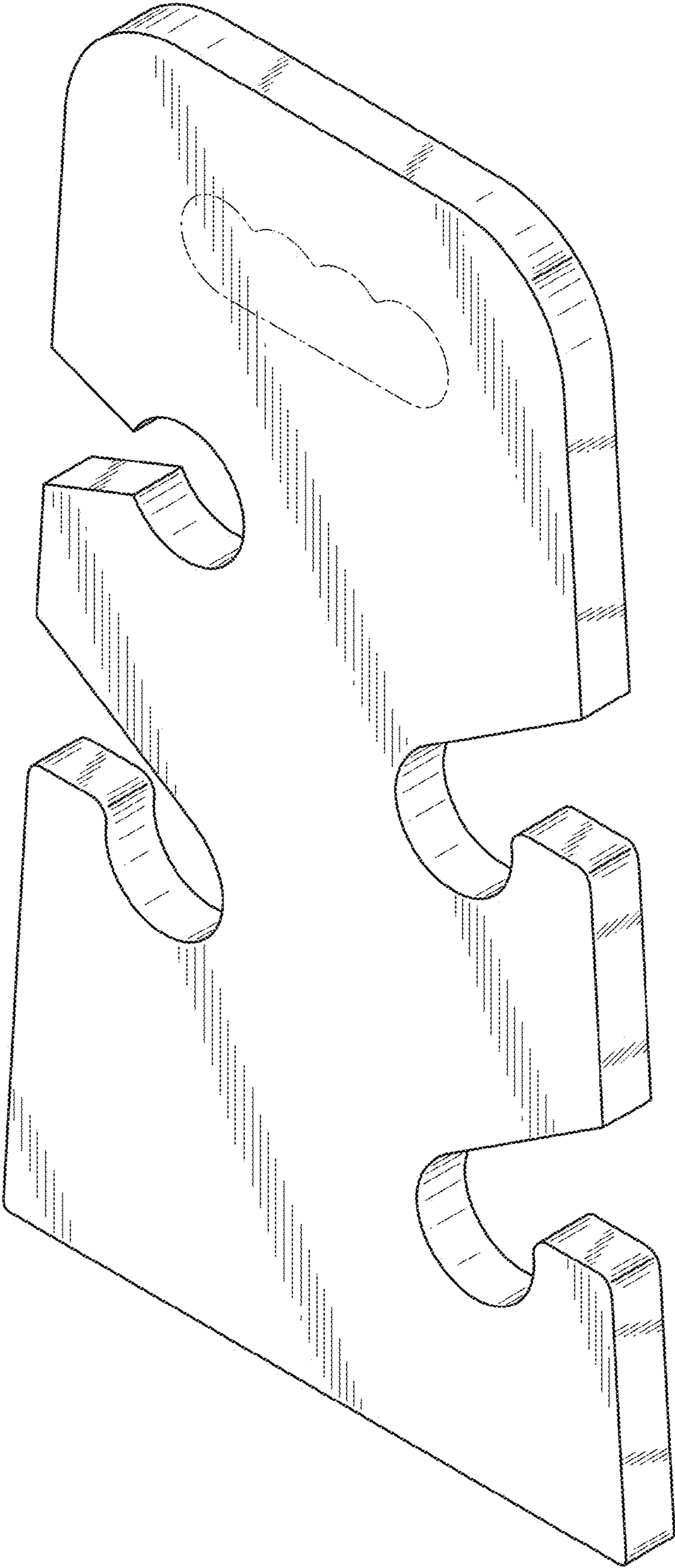


FIG. 2

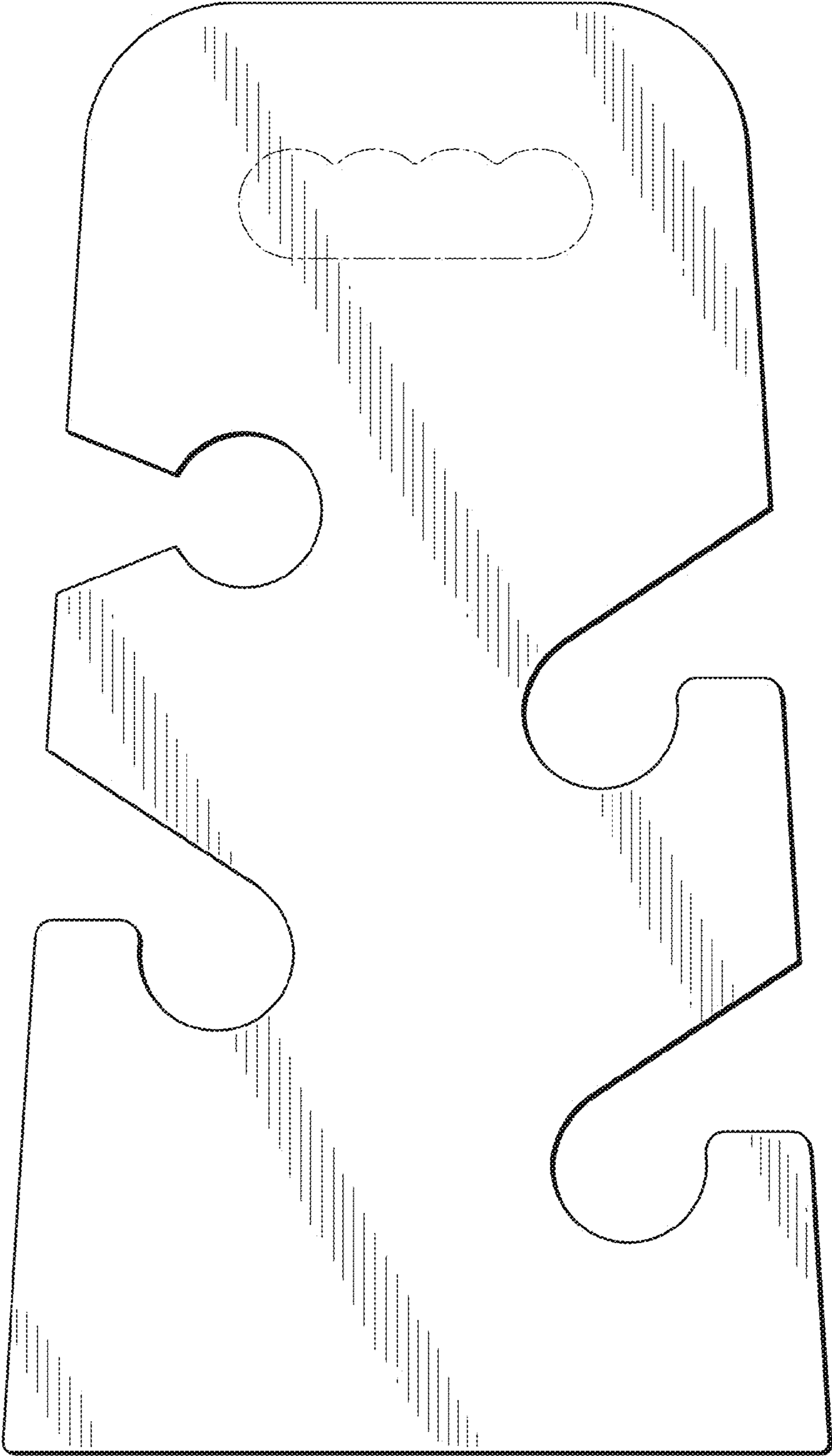


FIG. 3

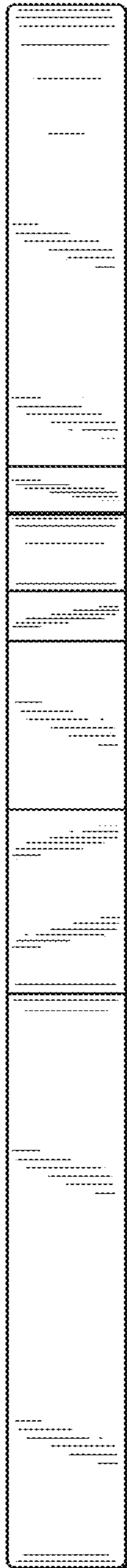


FIG. 4

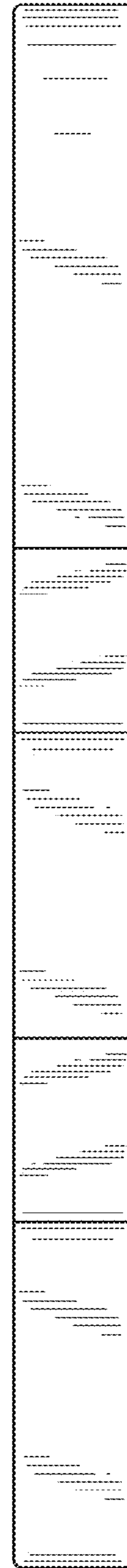
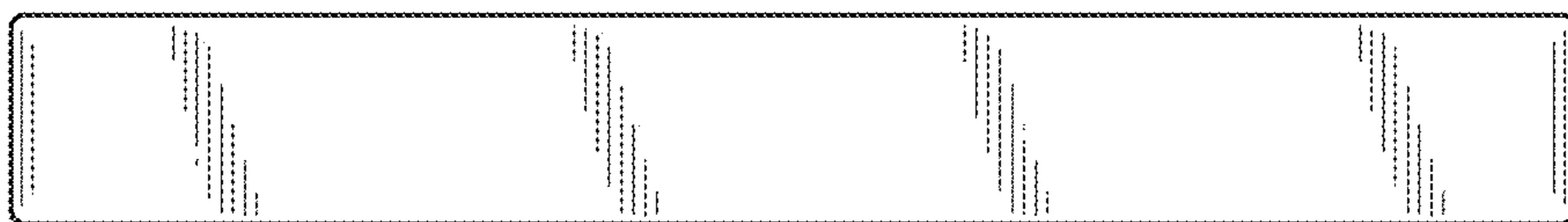


FIG. 5



FIG. 6



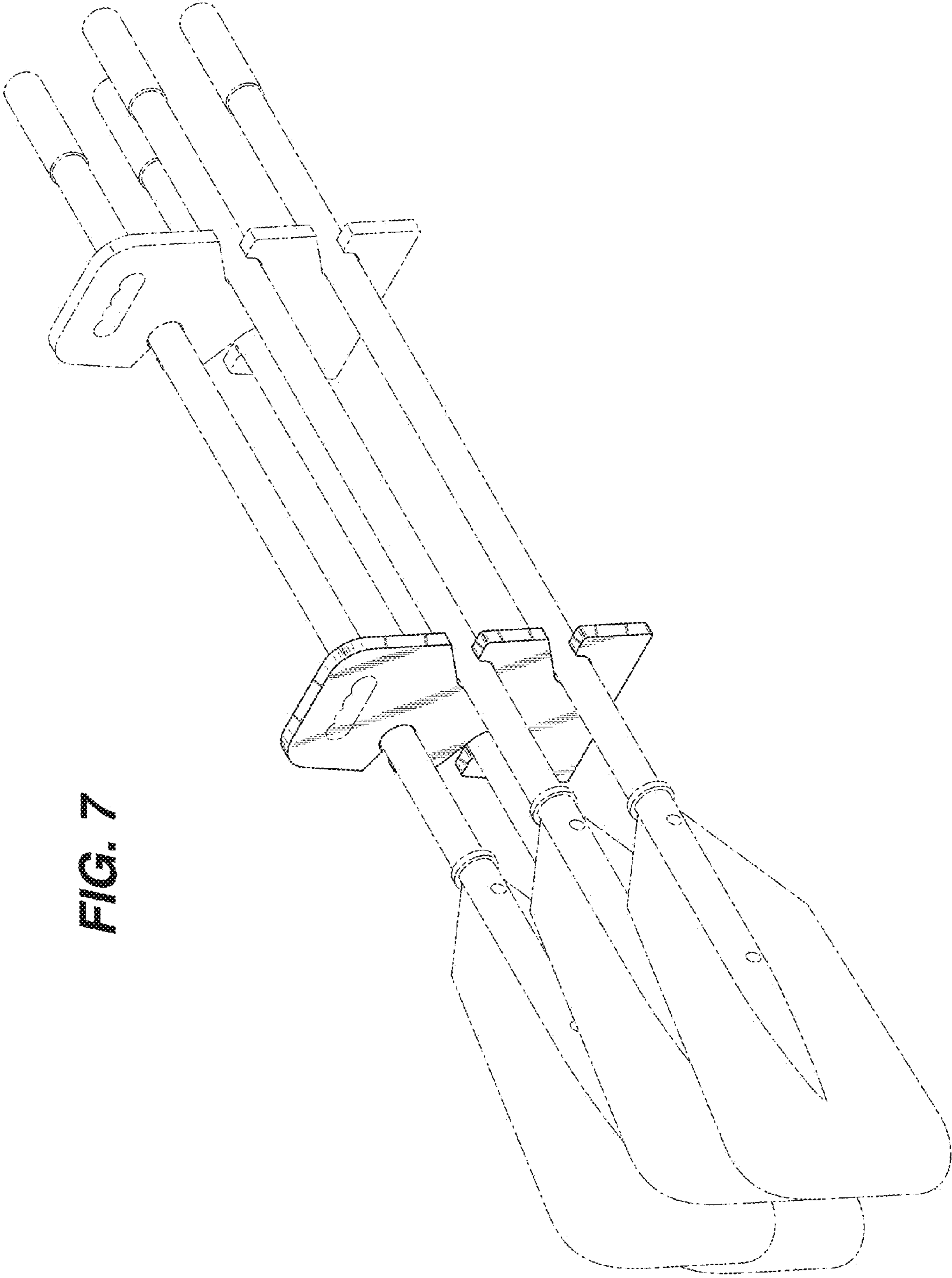


FIG. 7