



US00D737012S

(12) **United States Design Patent**  
**Cahen**

(10) **Patent No.:** **US D737,012 S**

(45) **Date of Patent:** **\*\* Aug. 18, 2015**

(54) **STEAM GENERATOR**

(75) Inventor: **Antoine Cahen**, Lausanne (CH)

(73) Assignee: **LAURASTAR S.A.**, Chatel-St-Denis (CH)

(\*\*) Term: **14 Years**

(21) Appl. No.: **29/395,922**

(22) Filed: **Apr. 23, 2012**

(30) **Foreign Application Priority Data**

Oct. 21, 2011 (WO) ..... DM/077182

(51) **LOC (10) CL.** ..... **07-05**

(52) **U.S. CL.**  
USPC ..... **D32/73**

(58) **Field of Classification Search**  
USPC ..... D32/68, 70, 71, 72, 73, 69, 35, 17;  
392/404; 219/245, 251; 38/85, 88, 93,  
38/77.5, 77.6, 77.7, 77.8, 77.81, 77.82,  
38/77.83, 77.9

See application file for complete search history.

(56) **References Cited**

**U.S. PATENT DOCUMENTS**

2,568,104 A \* 9/1951 Young ..... 38/77.6  
2,608,773 A \* 9/1952 Finlayson ..... 38/77.83  
2,637,125 A \* 5/1953 Roberts ..... 38/77.9  
3,002,302 A \* 10/1961 Flowers ..... 38/77.5  
D388,576 S \* 12/1997 Gudefin et al. .... D32/73  
D404,864 S \* 1/1999 Gudefin ..... D32/73  
D570,570 S \* 6/2008 Renault ..... D32/73

D579,160 S \* 10/2008 Lebot et al. .... D32/9  
D581,620 S \* 11/2008 Chu ..... D32/68  
7,487,651 B2 \* 2/2009 Rosenzweig et al. .... 68/222  
D707,007 S \* 6/2014 Smith ..... D32/70  
2008/0034623 A1 \* 2/2008 Rosenzweig et al. .... 38/77.7

**OTHER PUBLICATIONS**

“Centrale Vapeur Portable Laurastar Lift: Le Test.” 3600solutions.com. Web. Apr. 13, 2013.\*

“Laurastar Lift, la premiere centrale vapeur compacte, legere et nomade.” bienchoisirmonselectromenager.com. Web. Mar. 9, 2013.\*

\* cited by examiner

*Primary Examiner* — Robert M. Spear

*Assistant Examiner* — Kendra L Hamilton

(74) *Attorney, Agent, or Firm* — Nixon & Vanderhye, PC

(57) **CLAIM**

The ornamental design for a steam generator, as shown and described.

**DESCRIPTION**

FIG. 1 is a back, left, top perspective view of a steam generator;

FIG. 2 is a front, left, top perspective view thereof;

FIG. 3 is a back elevational view thereof;

FIG. 4 is a front elevational view thereof;

FIG. 5 is a top plan view thereof;

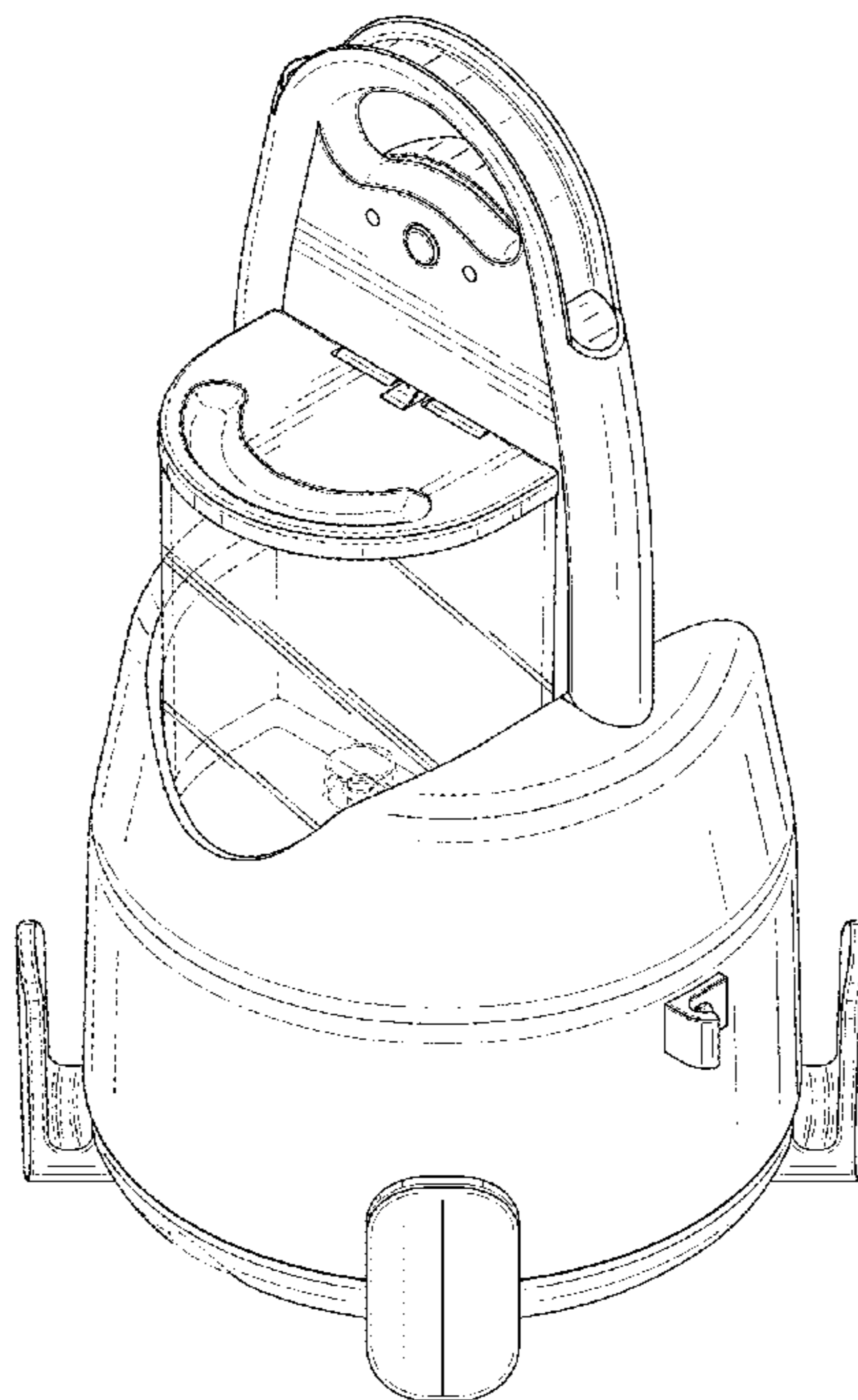
FIG. 6 is a bottom plan view thereof;

FIG. 7 is a right elevational view thereof; and,

FIG. 8 is a left elevational view thereof.

The broken lines in the drawings form no part of the claimed design.

**1 Claim, 8 Drawing Sheets**



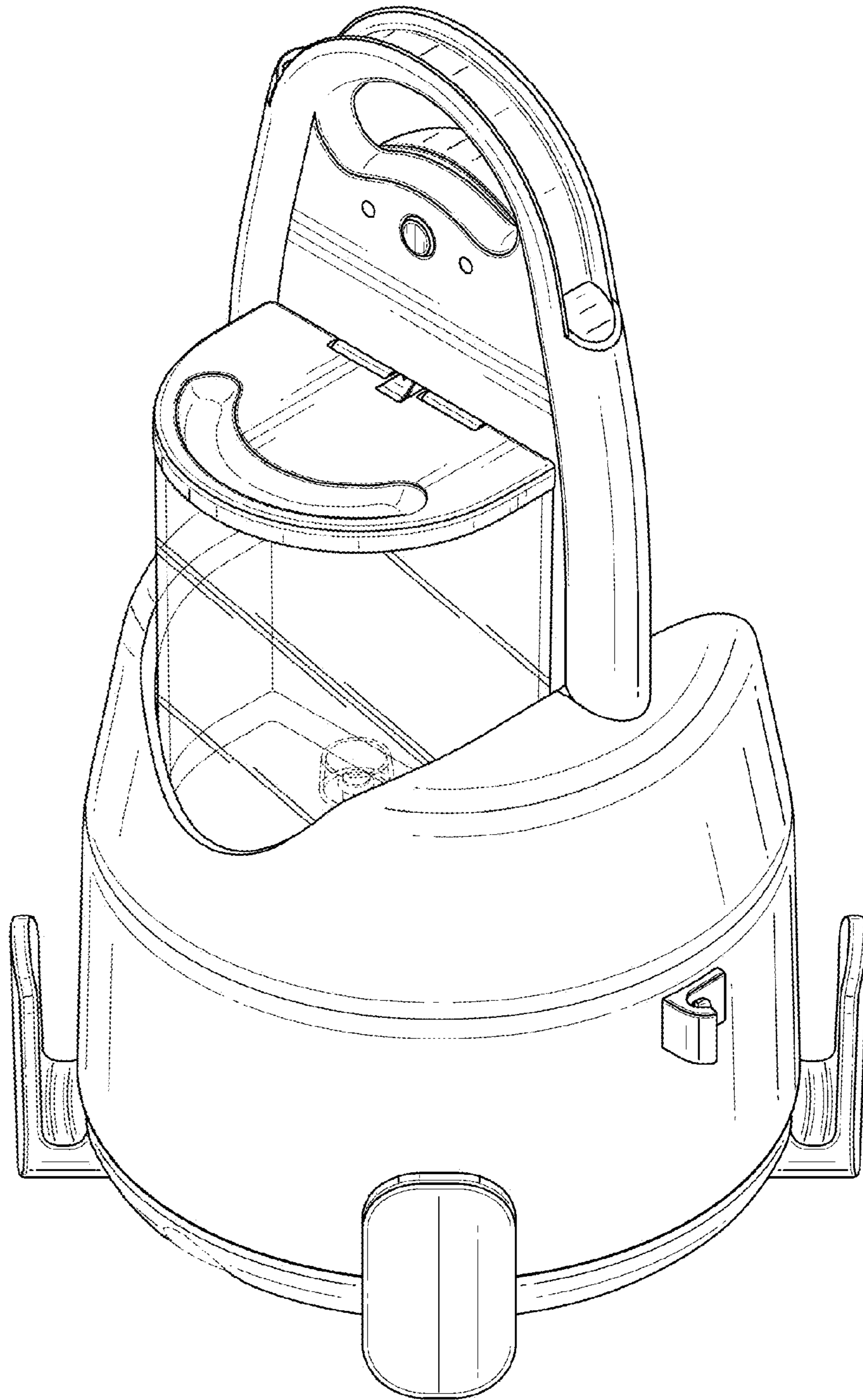


FIG. 1

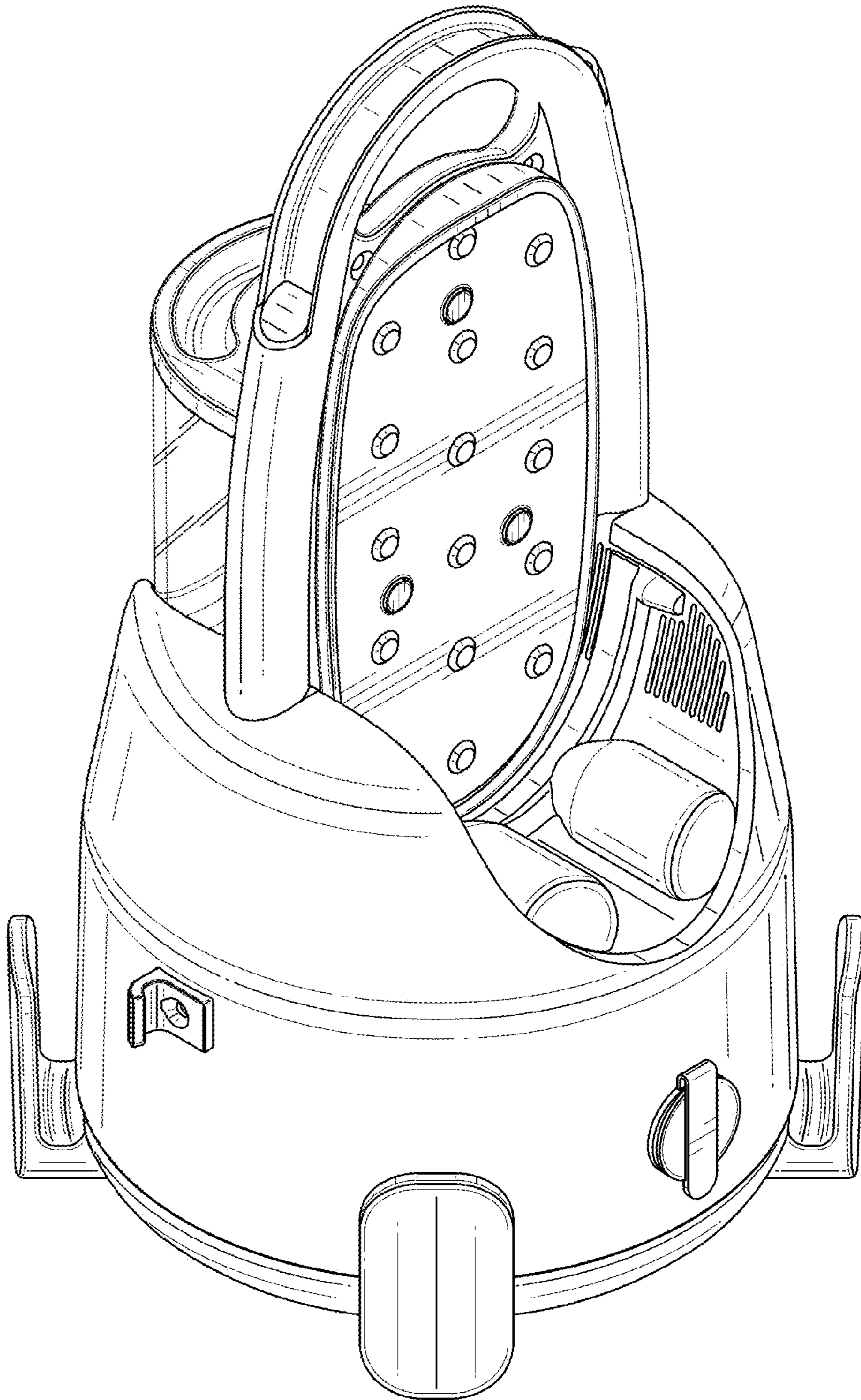


FIG. 2

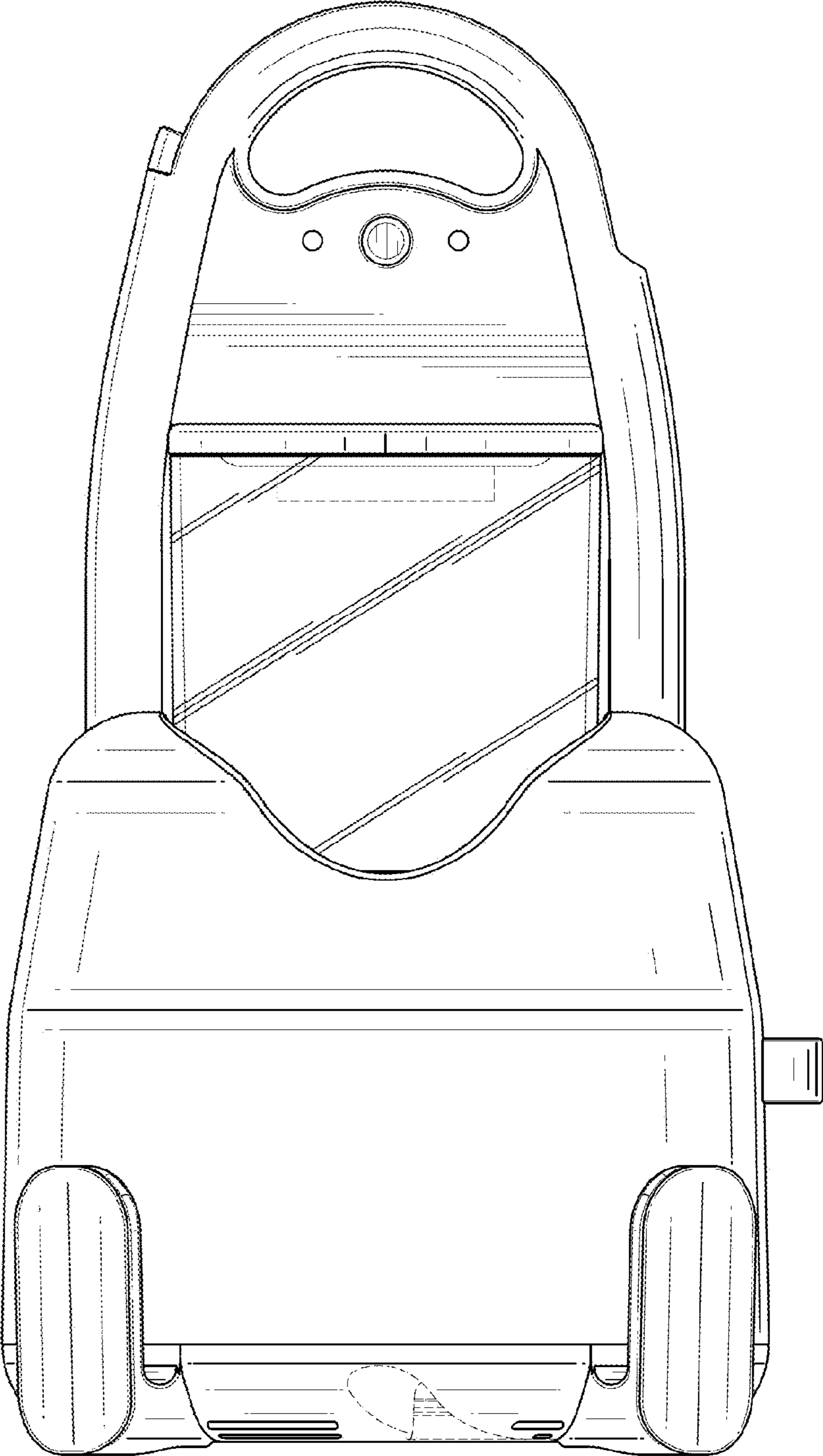


FIG. 3

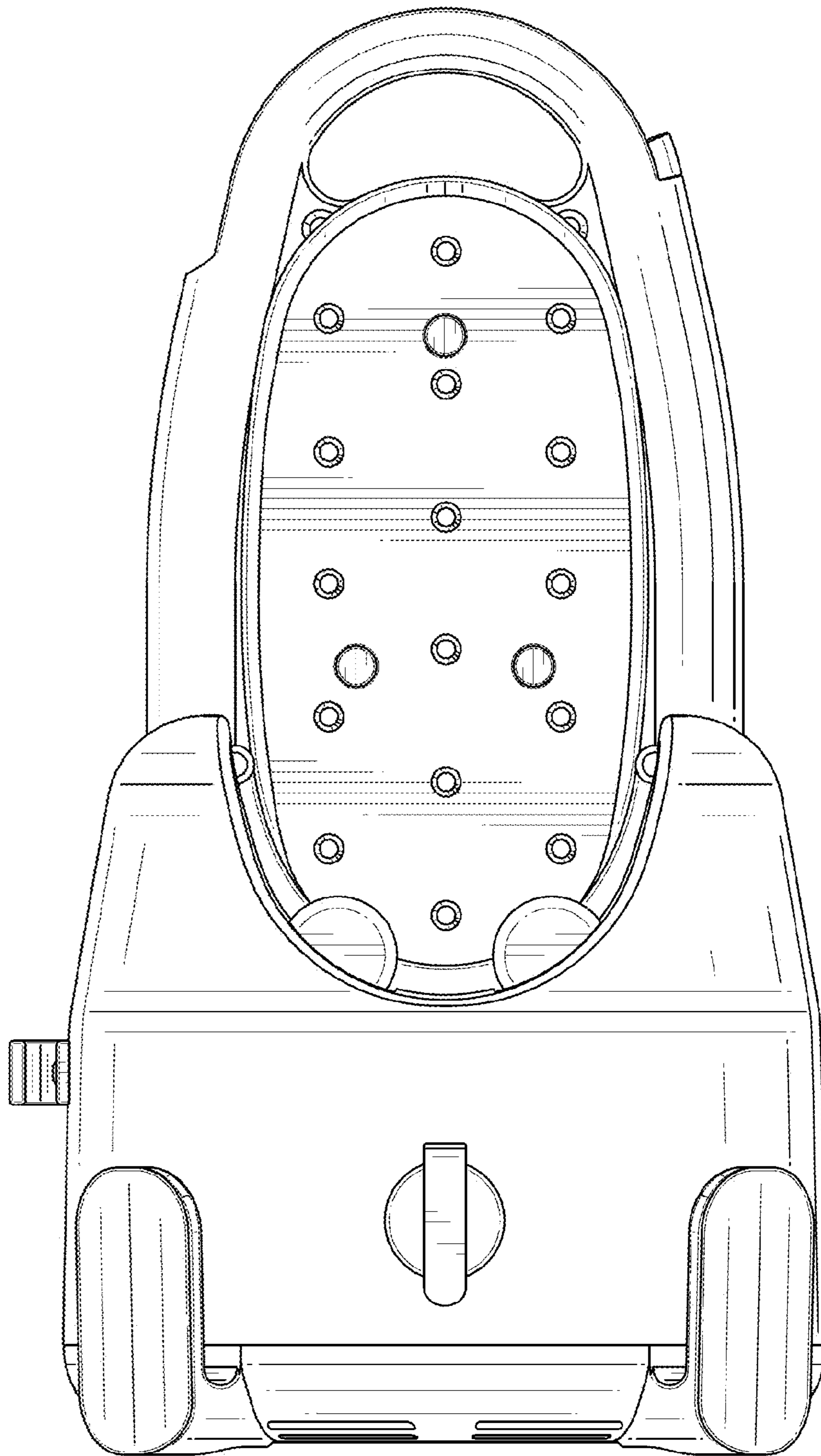


FIG. 4

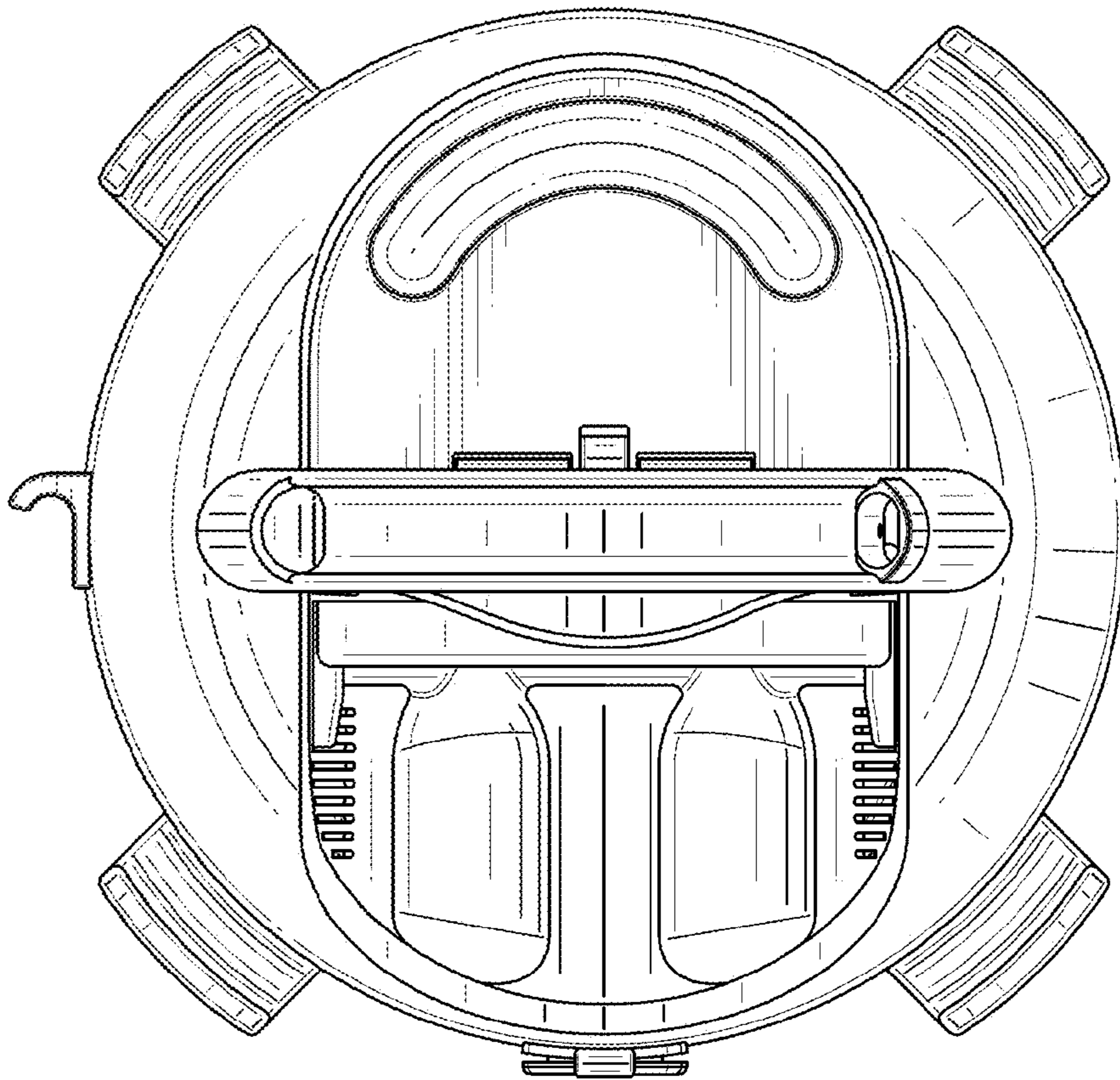


FIG. 5

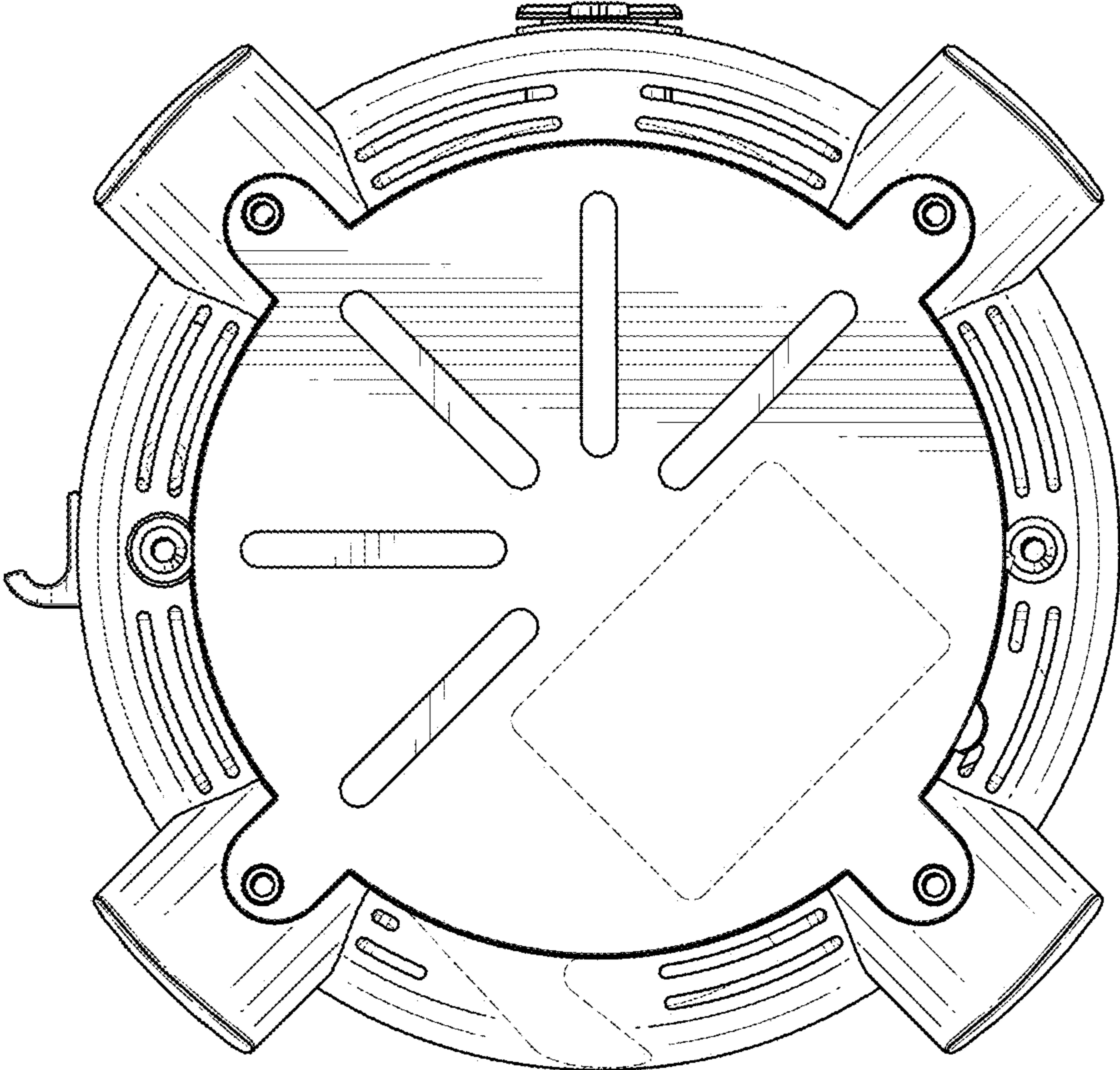


FIG. 6

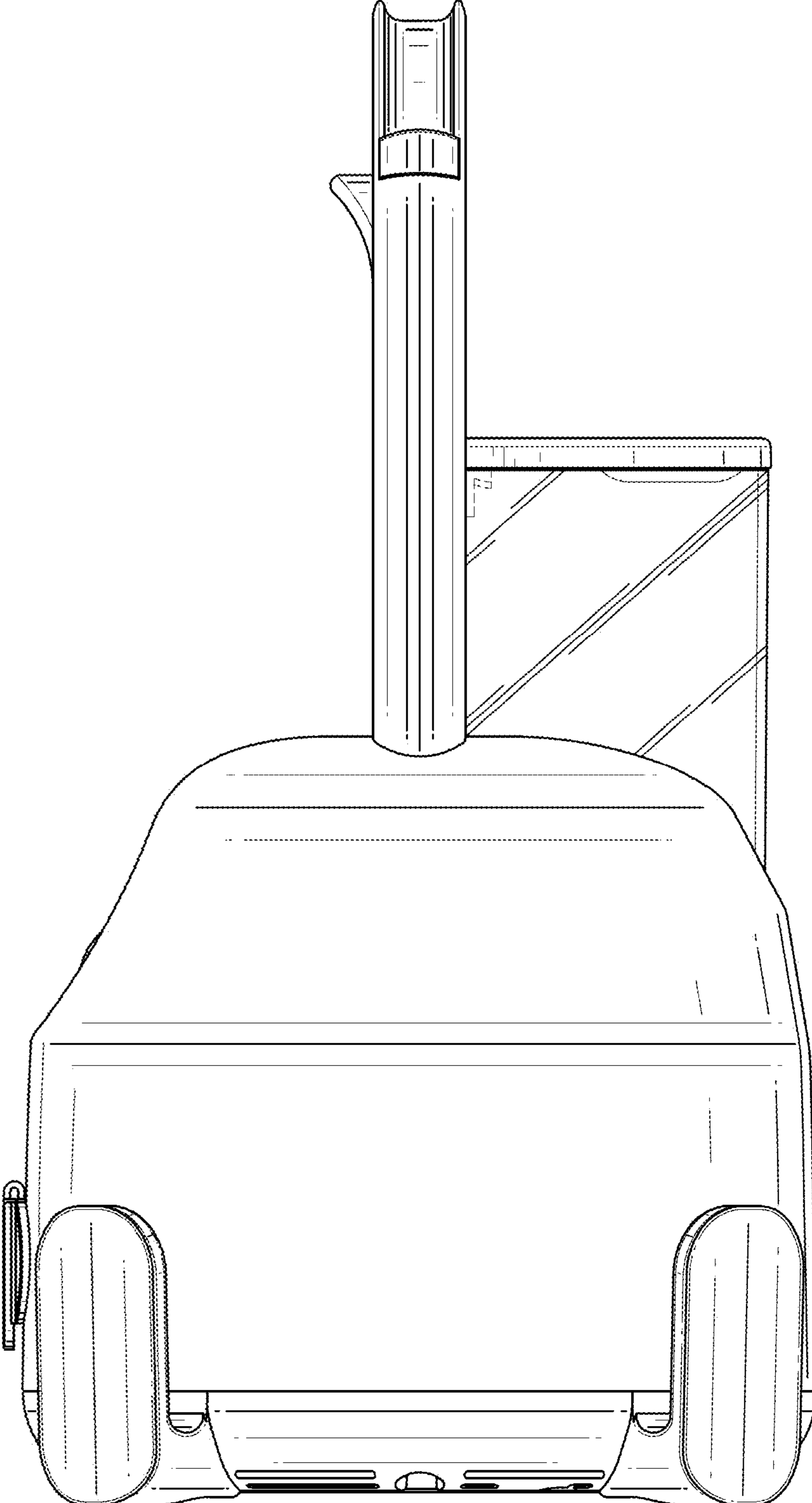


FIG. 7



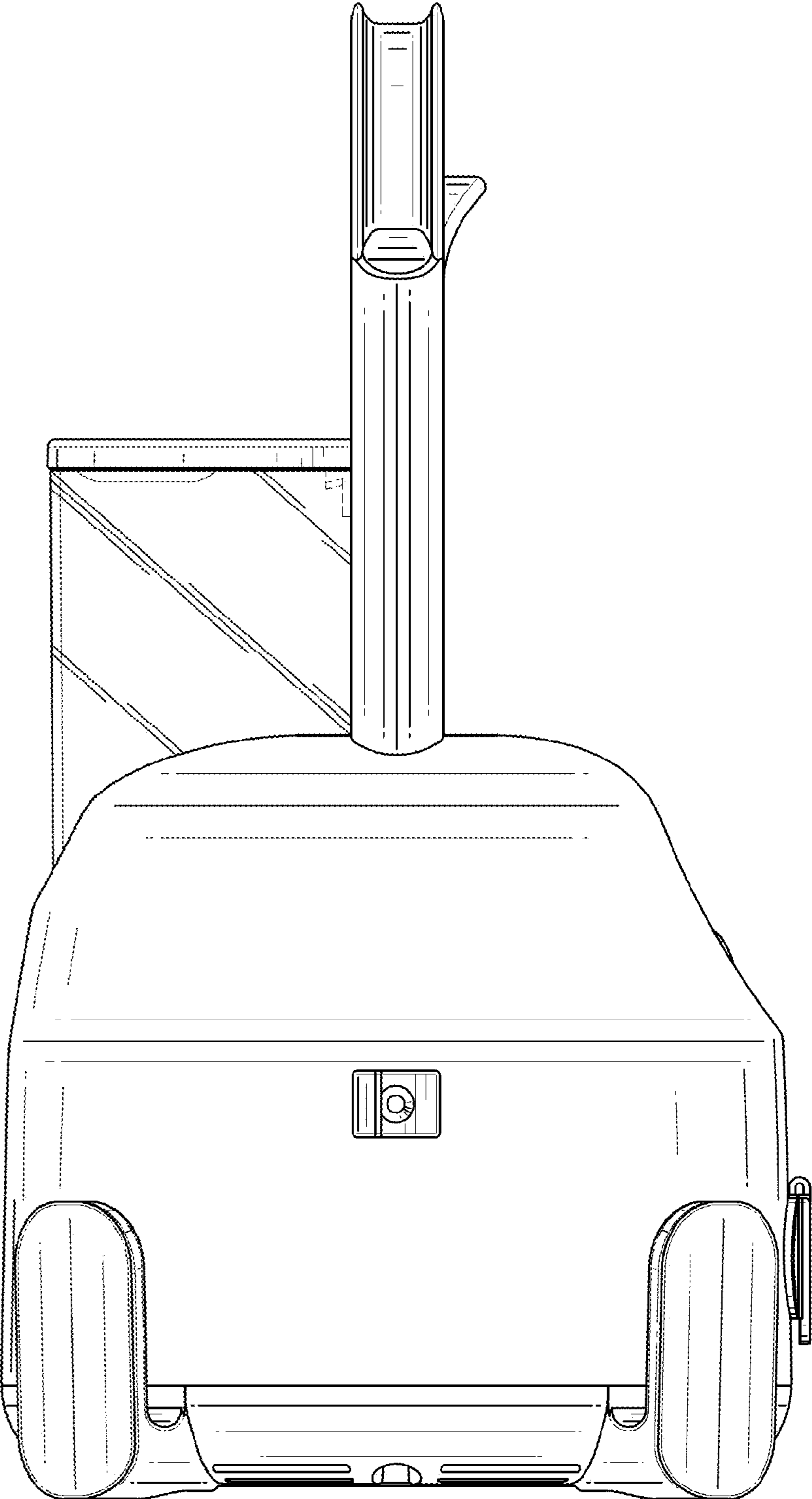


FIG. 8