



US00D737010S

(12) **United States Design Patent**
Howard

(10) **Patent No.:** **US D737,010 S**

(45) **Date of Patent:** **** Aug. 18, 2015**

(54) **MOP HEAD**

(71) Applicant: **Michael Paul Howard**, Rochdale (GB)

(72) Inventor: **Michael Paul Howard**, Rochdale (GB)

(**) Term: **14 Years**

(21) Appl. No.: **29/467,539**

(22) Filed: **Sep. 20, 2013**

(51) **LOC (10) Cl.** **04-01**

(52) **U.S. Cl.**
USPC **D32/40**

(58) **Field of Classification Search**
USPC D32/40-45, 50; 15/115, 228, 229.2,
15/209.1, 210.1

See application file for complete search history.

(56) **References Cited**

U.S. PATENT DOCUMENTS

4,417,364 A * 11/1983 Hammond 15/147.1
5,855,204 A * 1/1999 Gray et al. 15/228

7,328,477 B1 * 2/2008 Aiyar 15/228
7,631,391 B2 * 12/2009 Cabrero Gomez et al. .. 15/229.2
8,225,454 B2 * 7/2012 Yang et al. 15/229.6

* cited by examiner

Primary Examiner — Robin V Webster

(74) *Attorney, Agent, or Firm* — Clifford H. Kraft

(57) **CLAIM**

The ornamental design for a mop head, as shown and described.

DESCRIPTION

FIG. 1 is a front three quarter perspective view of embodiment 1 of our new design

FIG. 2 is a rear three quarter perspective view thereof

FIG. 3 is a side elevation thereof, opposite side is mirror image

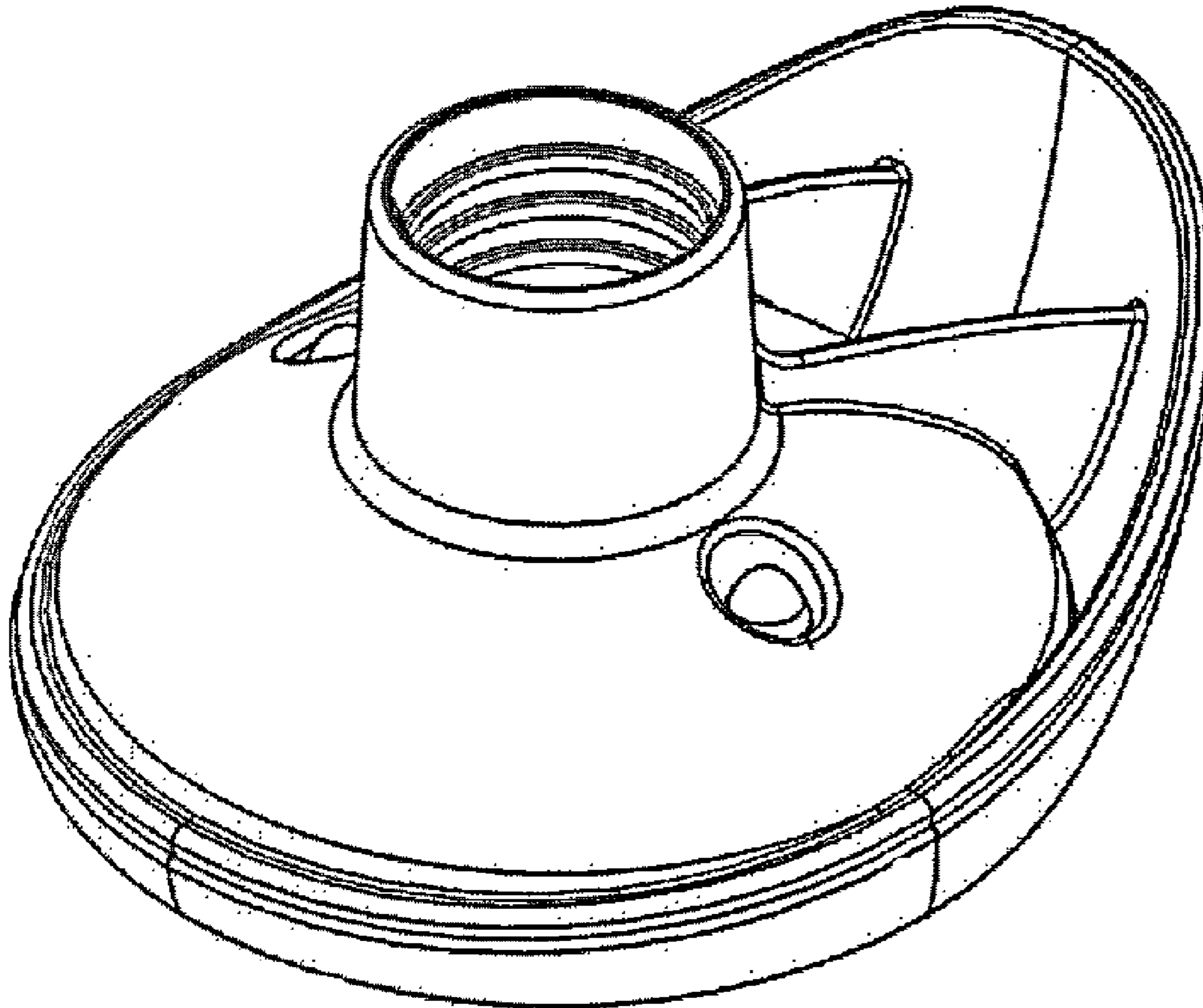
FIG. 4 is a front elevation thereof

FIG. 5 is a rear elevation thereof

FIG. 6 is a top elevation thereof; and,

FIG. 7 is a bottom elevation thereof.

1 Claim, 3 Drawing Sheets



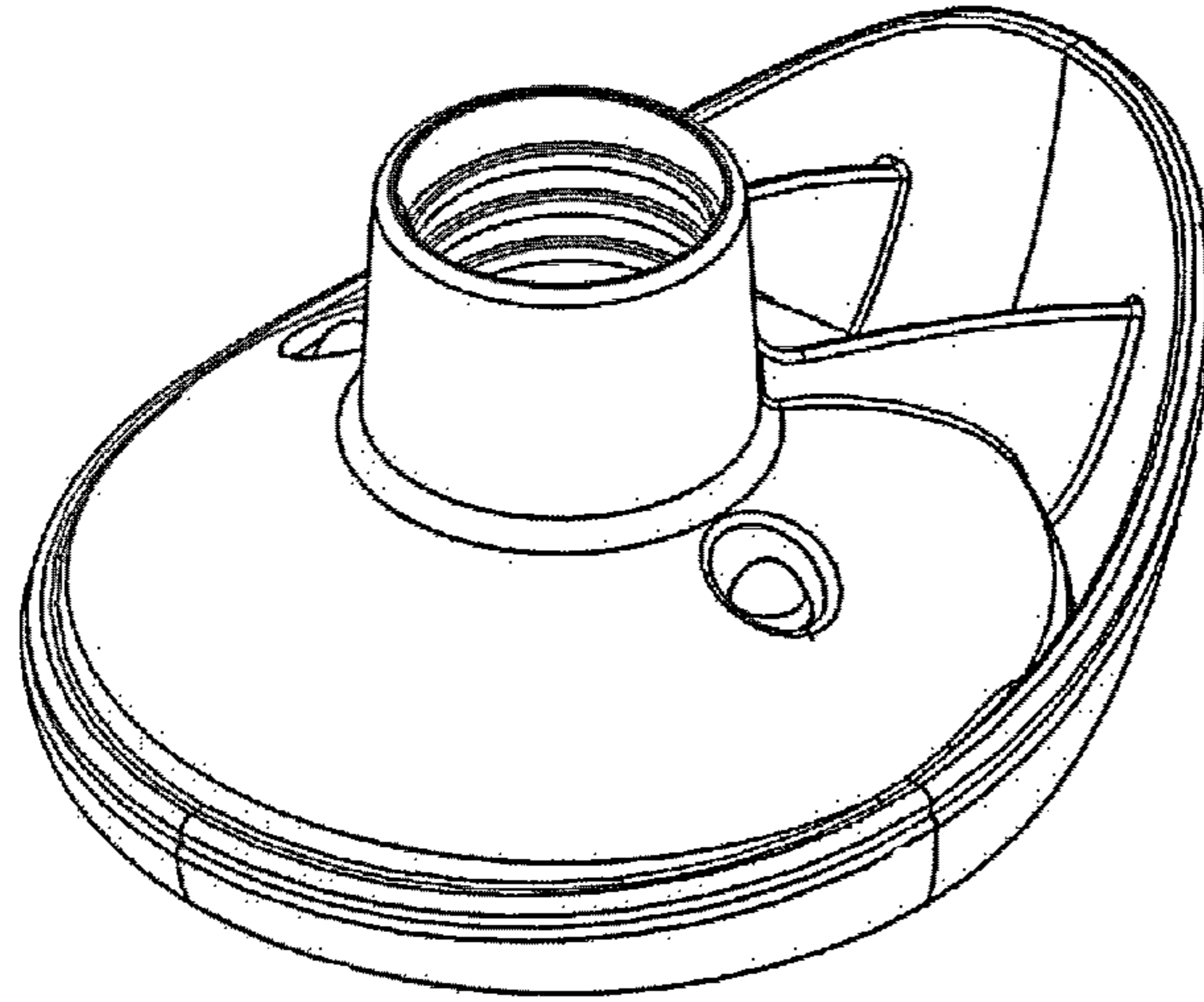


Fig. 1

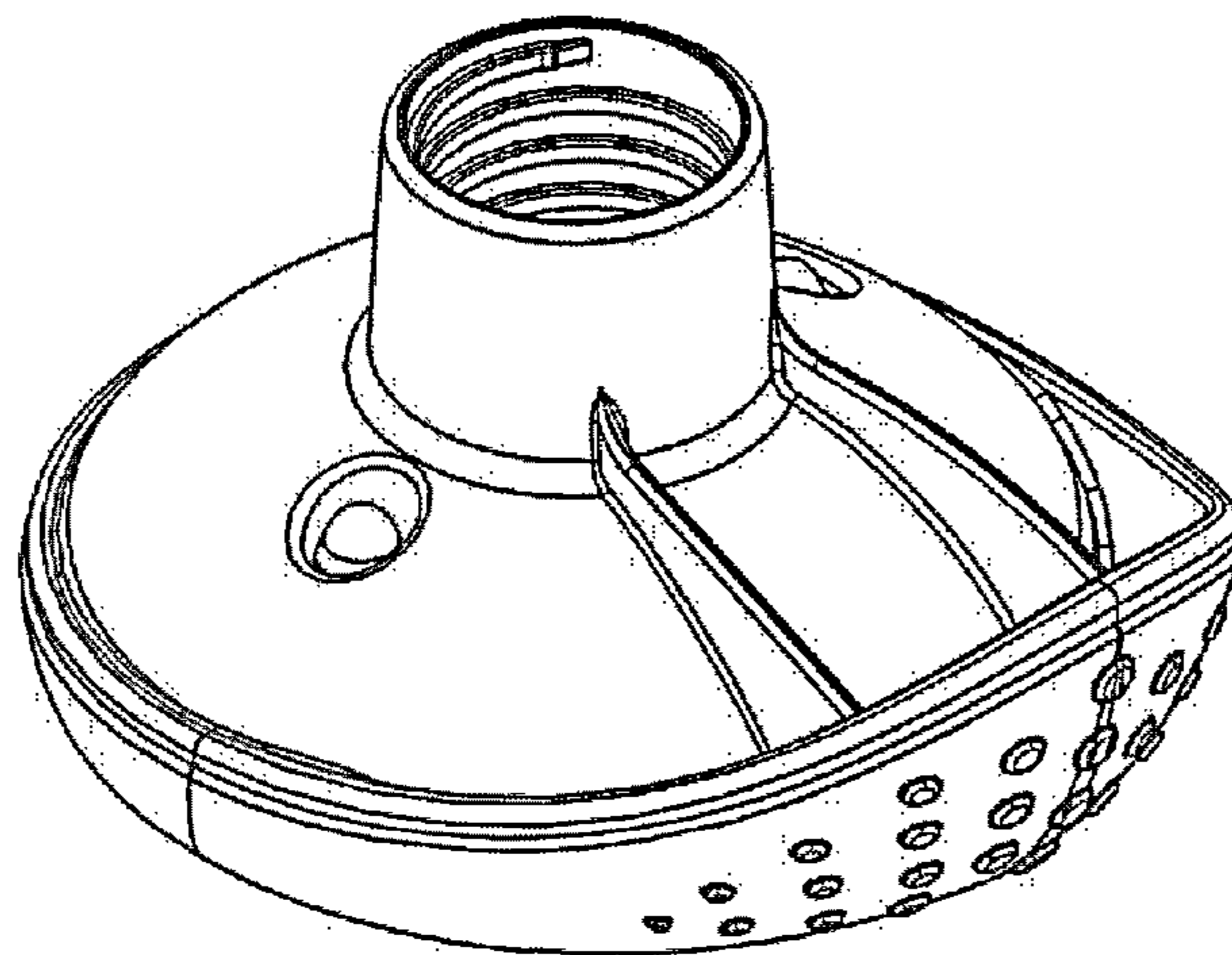


Fig. 2

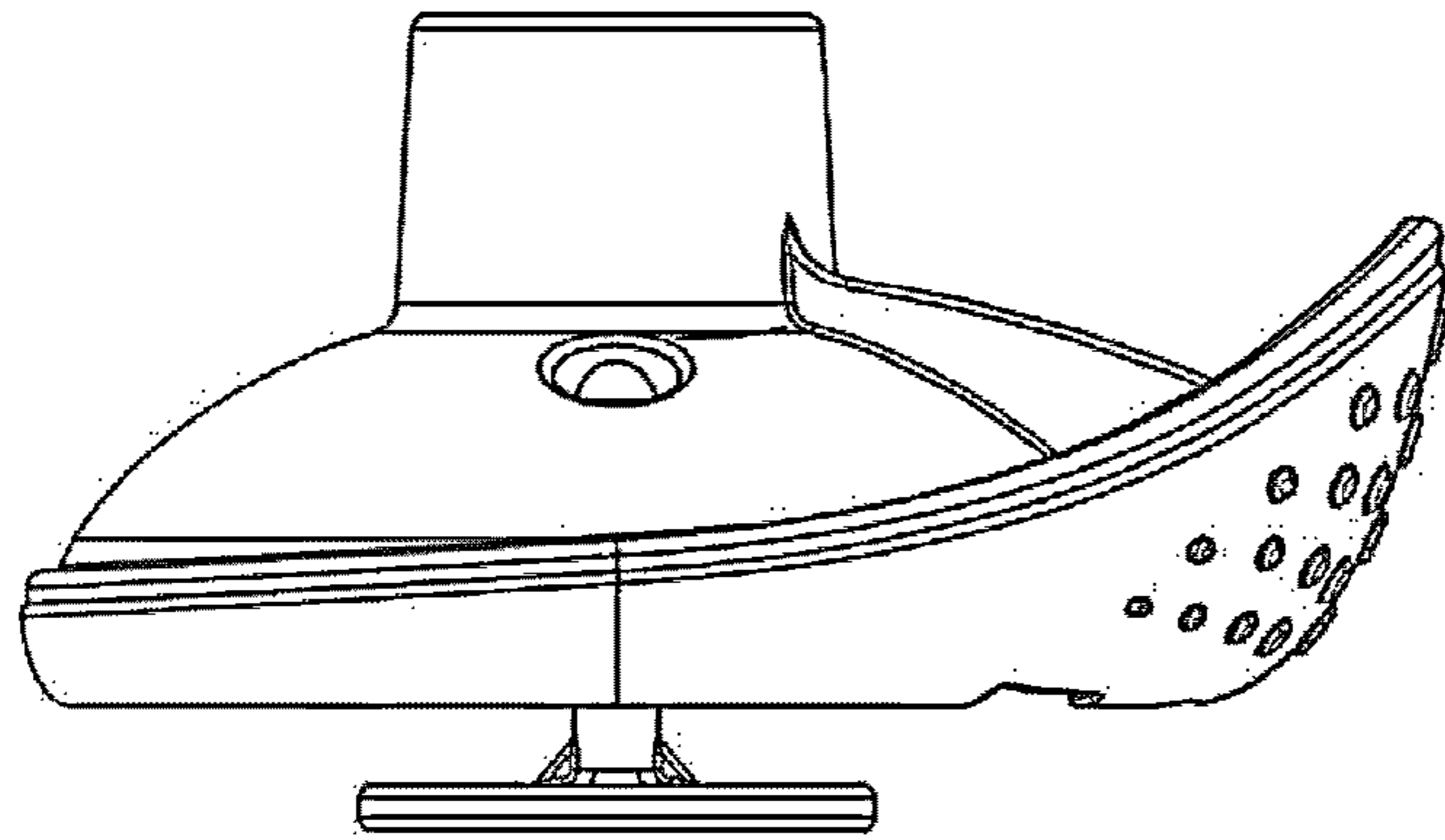


Fig. 3

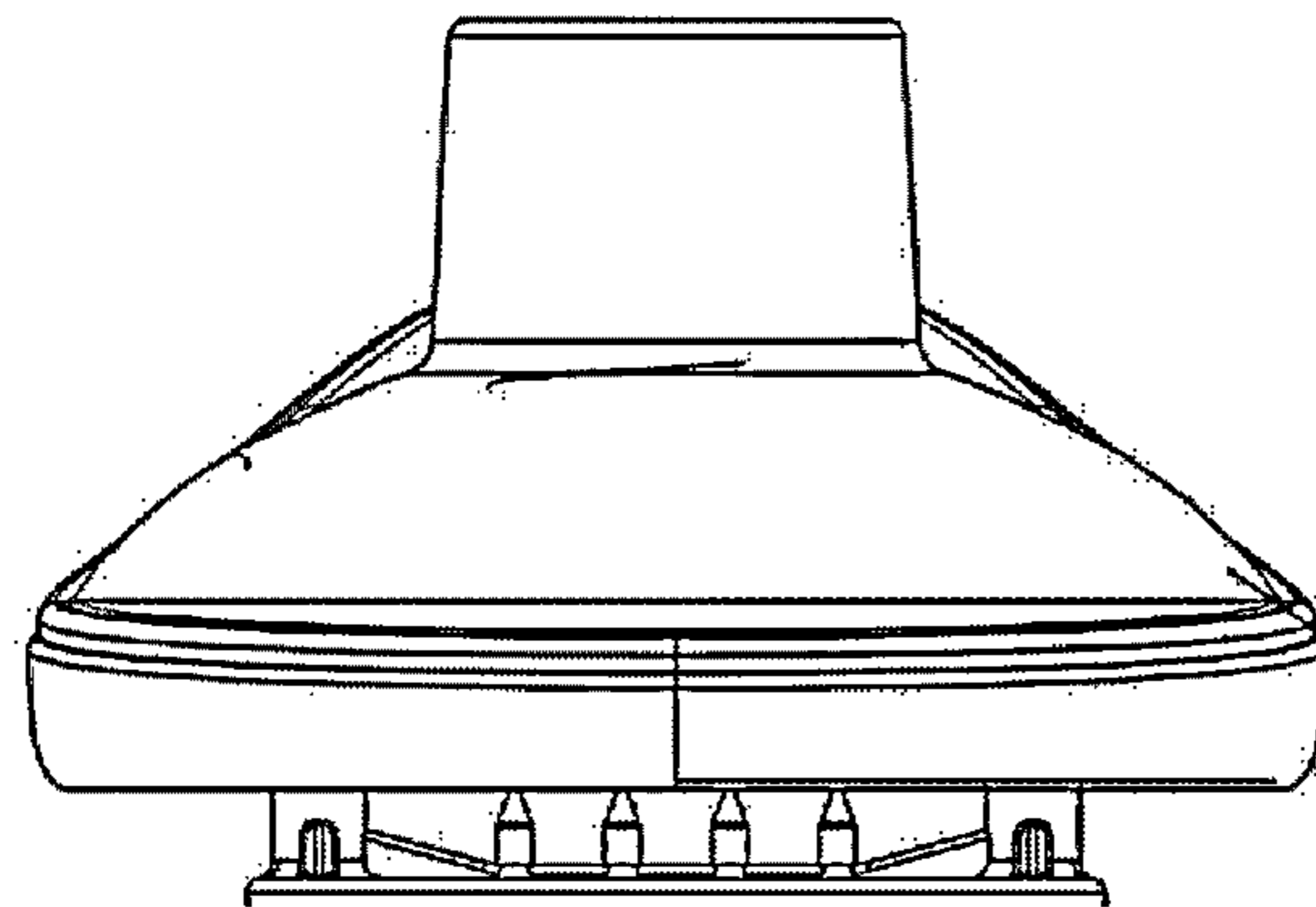


Fig. 4

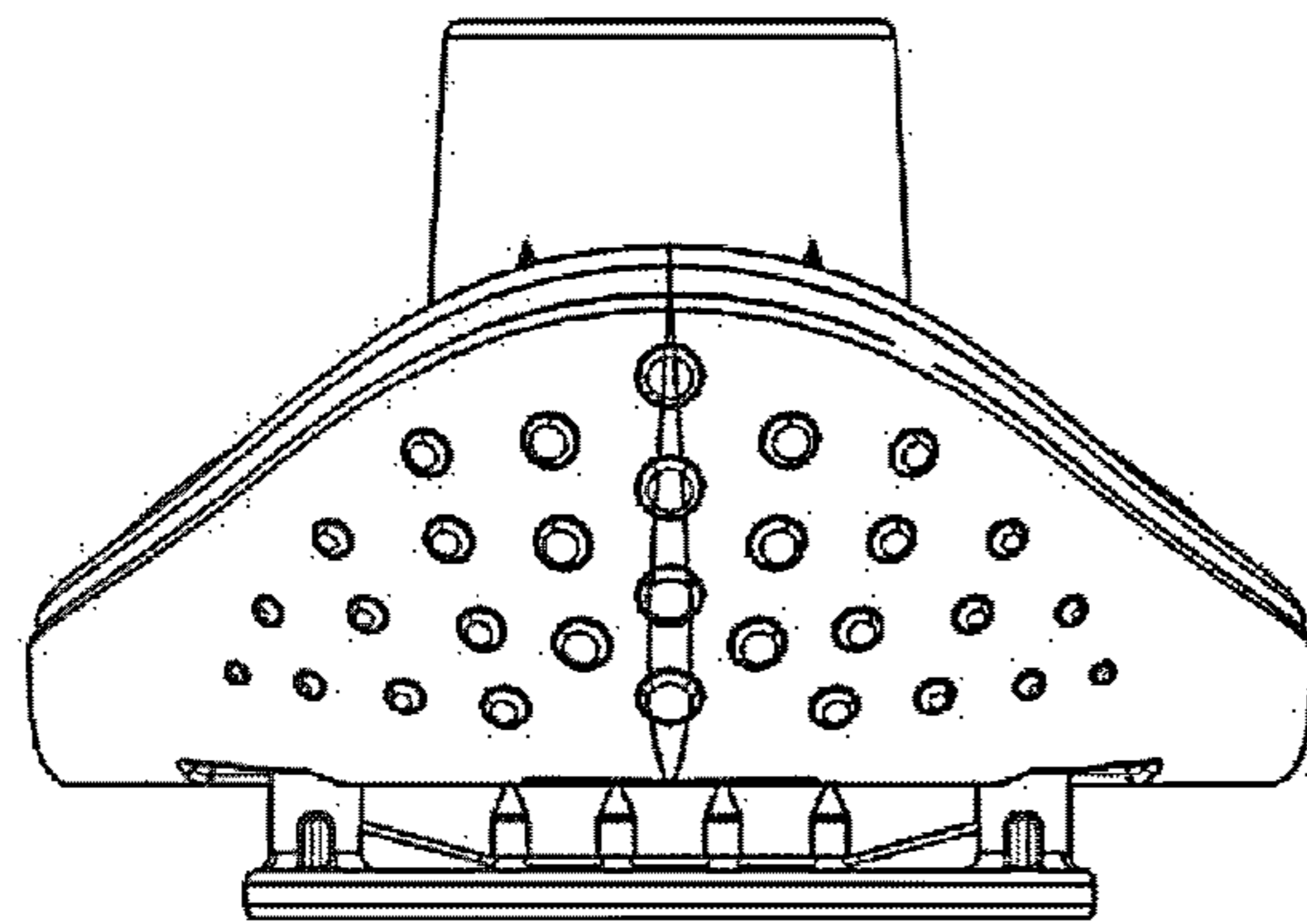


Fig. 5

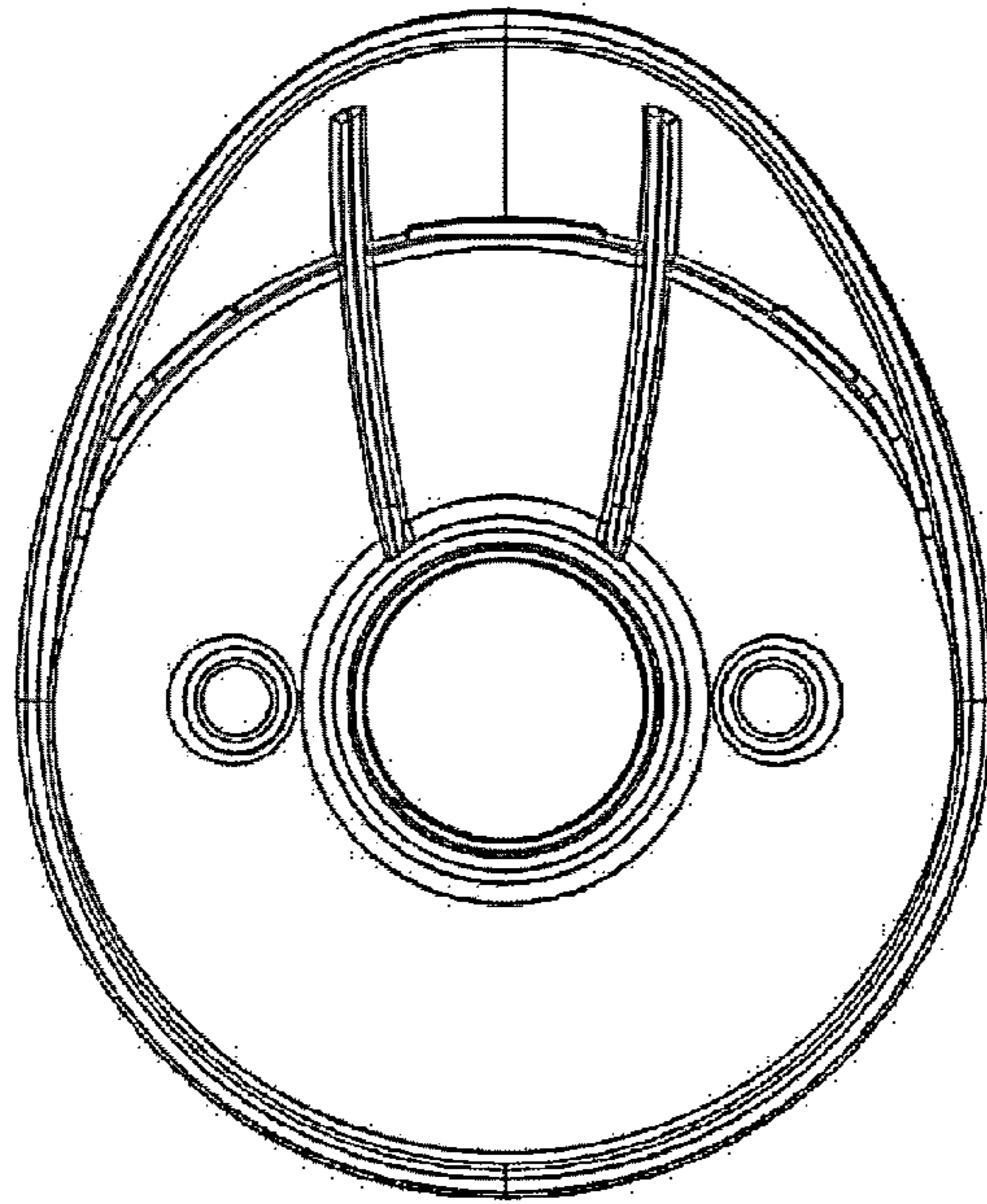


Fig. 6

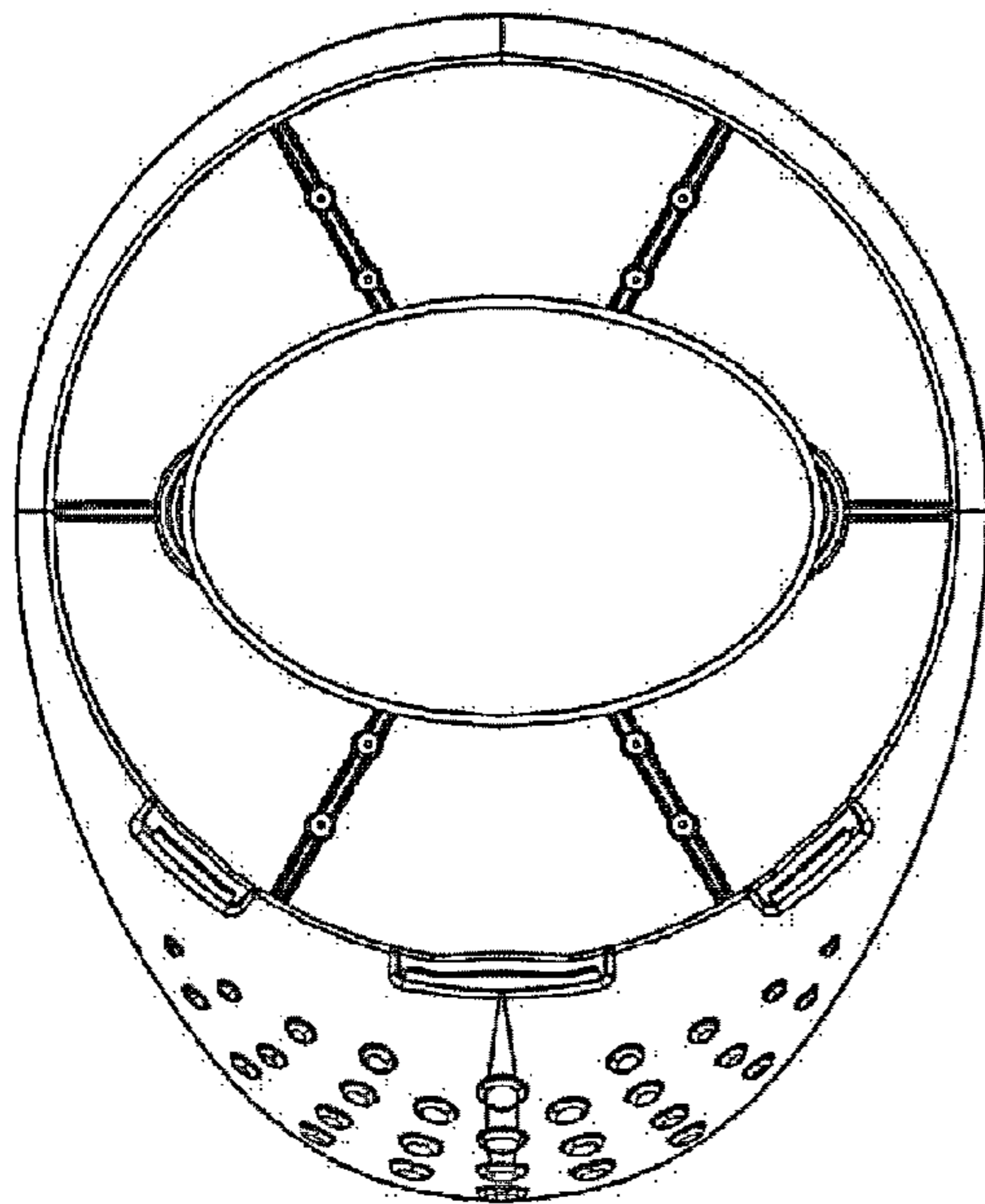


Fig. 7