

US00D737009S

(12) **United States Design Patent**
Kim et al.

(10) **Patent No.:** **US D737,009 S**
(45) **Date of Patent:** **** Aug. 18, 2015**

(54) **CLEANER**

(71) Applicant: **Samsung Electronics Co., Ltd.**,
Suwon-si (KR)

(72) Inventors: **Chungha Kim**, Seoul (KR); **Sang Min Hyun**, Seoul (KR)

(73) Assignee: **Samsung Electronics Co., Ltd.**,
Suwon-si (KR)

(**) Term: **14 Years**

(21) Appl. No.: **29/487,003**

(22) Filed: **Apr. 4, 2014**

(30) **Foreign Application Priority Data**

Oct. 10, 2013 (KR) 30-2013-0051392

(51) **LOC (10) Cl.** **15-05**

(52) **U.S. Cl.**
USPC **D32/31**

(58) **Field of Classification Search**
USPC D32/31, 21, 22, 24, 34; 15/350-353,
15/361-362, 347, 410-411, 414, 320-322,
15/329, 335, 246.2, 1.7, 340.2, DIG. 10
CPC A47L 5/24; A47L 11/34; A47L 5/362;
A47L 19/1666; A47L 9/325; B01D 45/12;
B01D 50/002

See application file for complete search history.

(56) **References Cited**

U.S. PATENT DOCUMENTS

D411,359	S	*	6/1999	Green	D32/31
5,950,274	A	*	9/1999	Kilstrom	15/350
6,148,144	A	*	11/2000	Milanese	392/405
D541,997	S	*	5/2007	Greene	D32/31
7,520,015	B1	*	4/2009	Ajello	15/1.7
D666,371	S	*	8/2012	Bilger et al.	D32/31
D669,237	S	*	10/2012	Kim et al.	D32/31
D686,378	S	*	7/2013	Luedke et al.	D32/31
2005/0251935	A1	*	11/2005	Grobler	15/1.7
2010/0251508	A1	*	10/2010	Ni	15/347

* cited by examiner

Primary Examiner — Ruth McInroy

(74) *Attorney, Agent, or Firm* — NSIP Law

(57) **CLAIM**

We claim the ornamental design for a cleaner, as shown and described.

DESCRIPTION

FIG. 1 is a front perspective view of a cleaner showing our new design;
FIG. 2 is a front view thereof;
FIG. 3 is a rear view thereof;
FIG. 4 is a left-side view thereof;
FIG. 5 is a right-side view thereof;
FIG. 6 is a top view thereof; and,
FIG. 7 is a bottom-side plan view thereof.
The broken lines show portions of the cleaner which form no part of the claimed design.

1 Claim, 7 Drawing Sheets

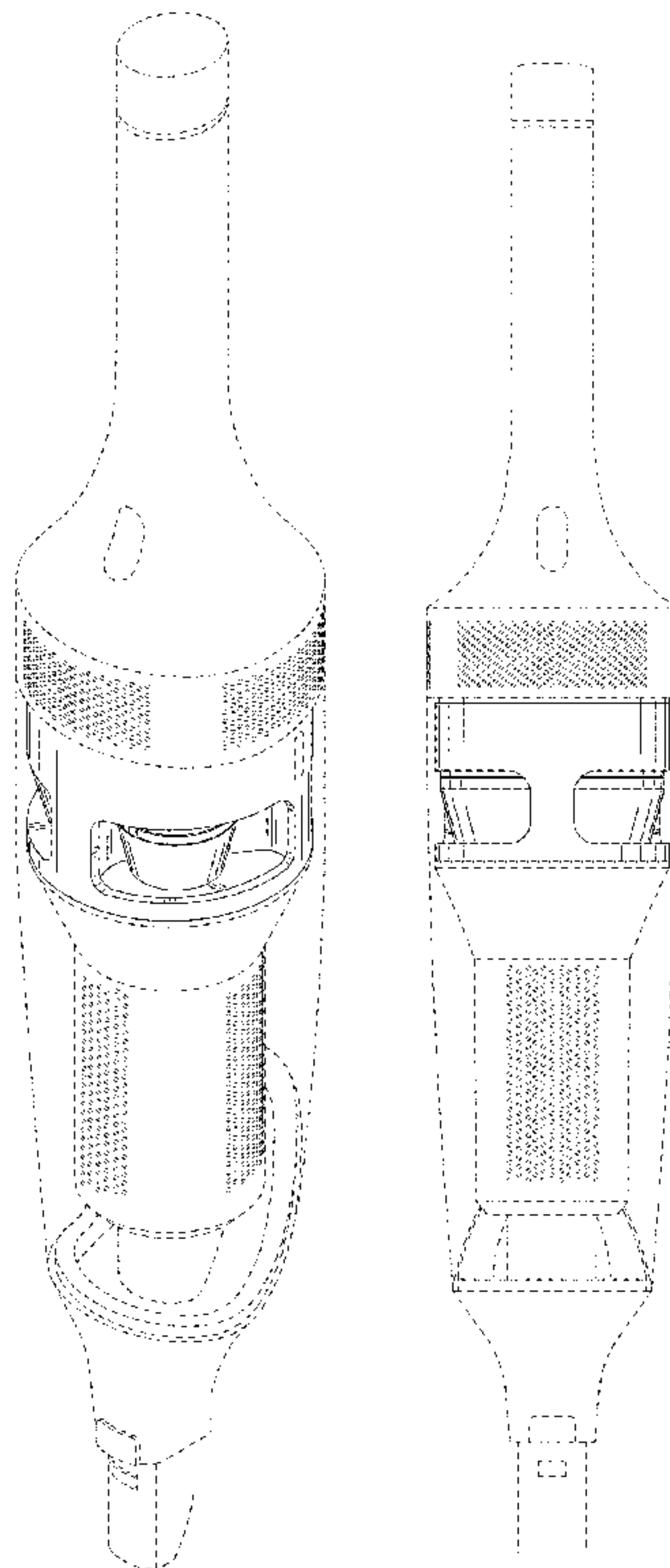


FIG. 1

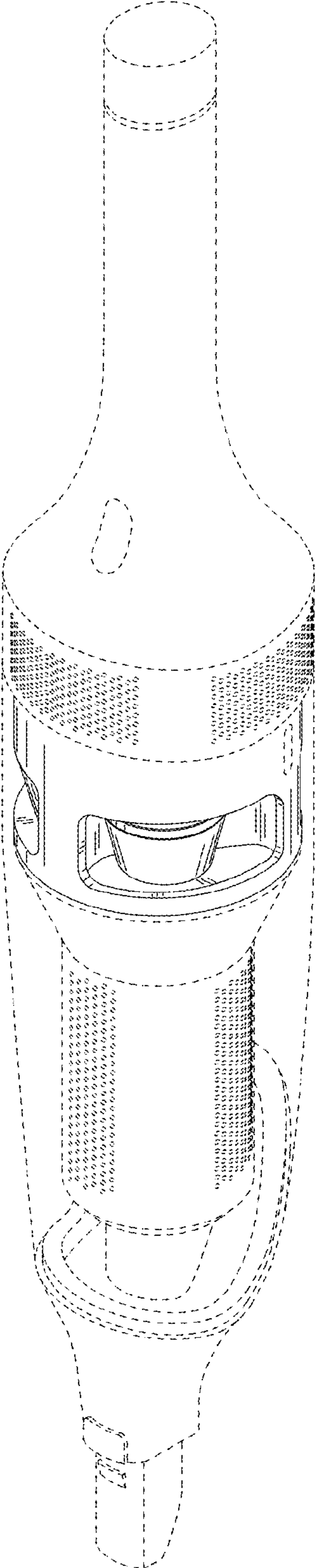


FIG. 2

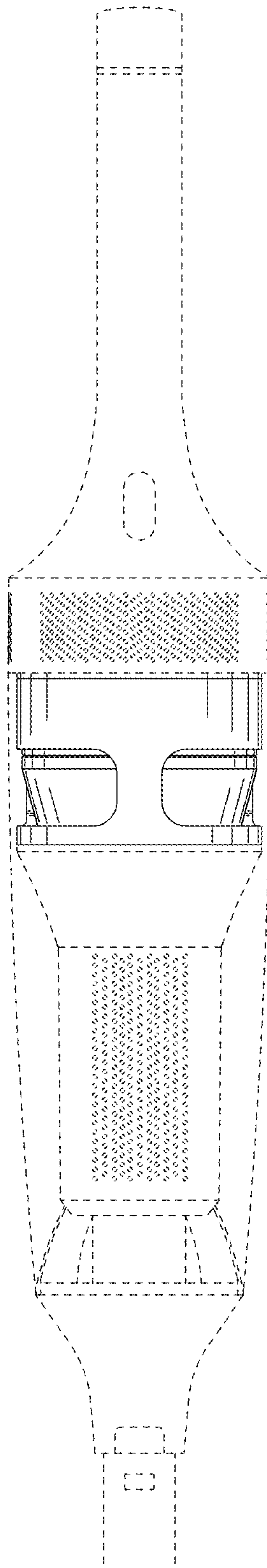


FIG. 3

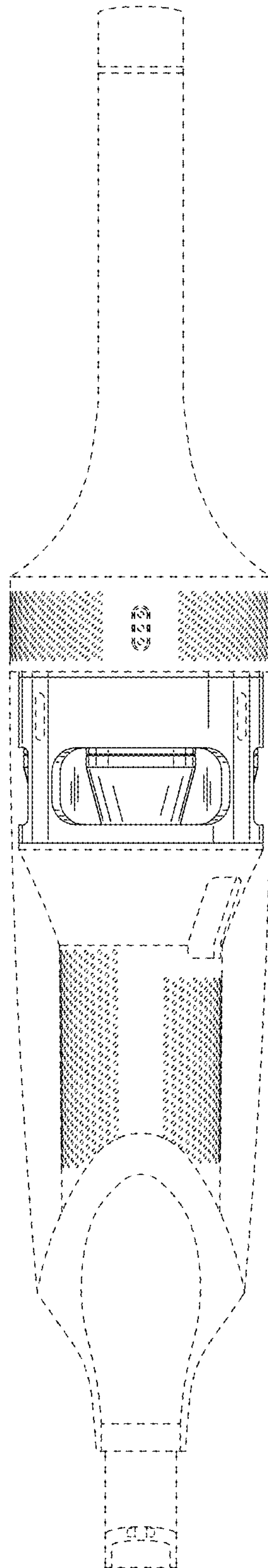


FIG. 4

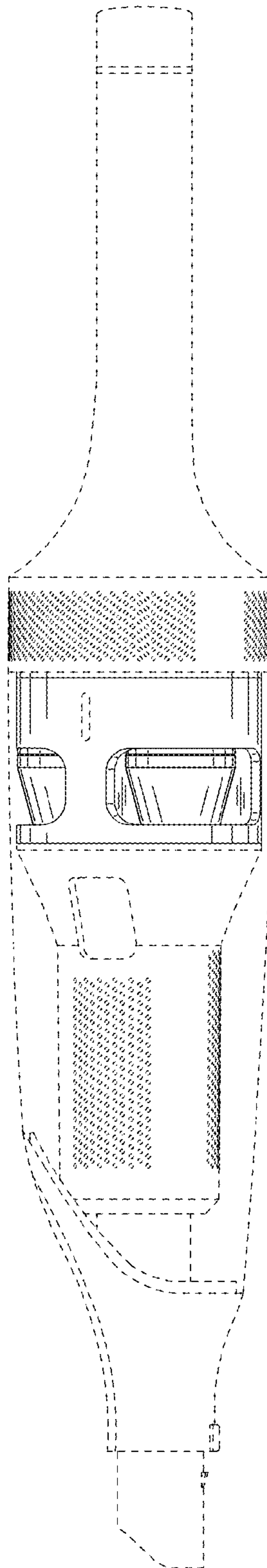


FIG. 5

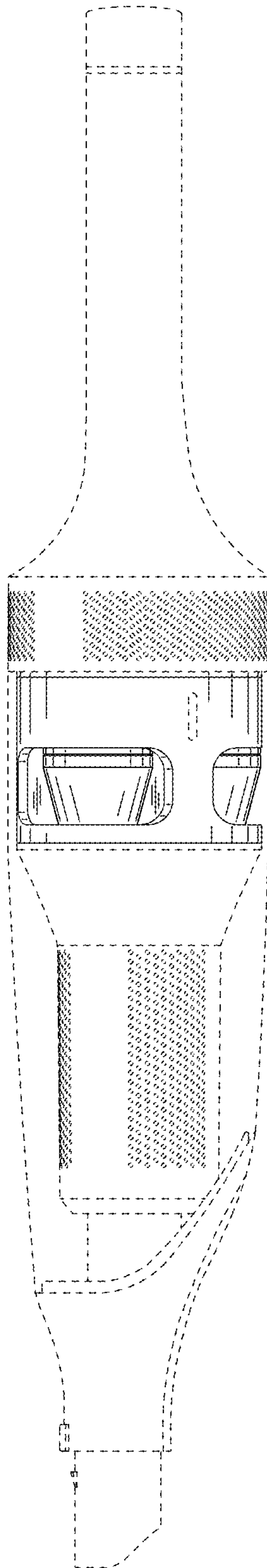


FIG. 6

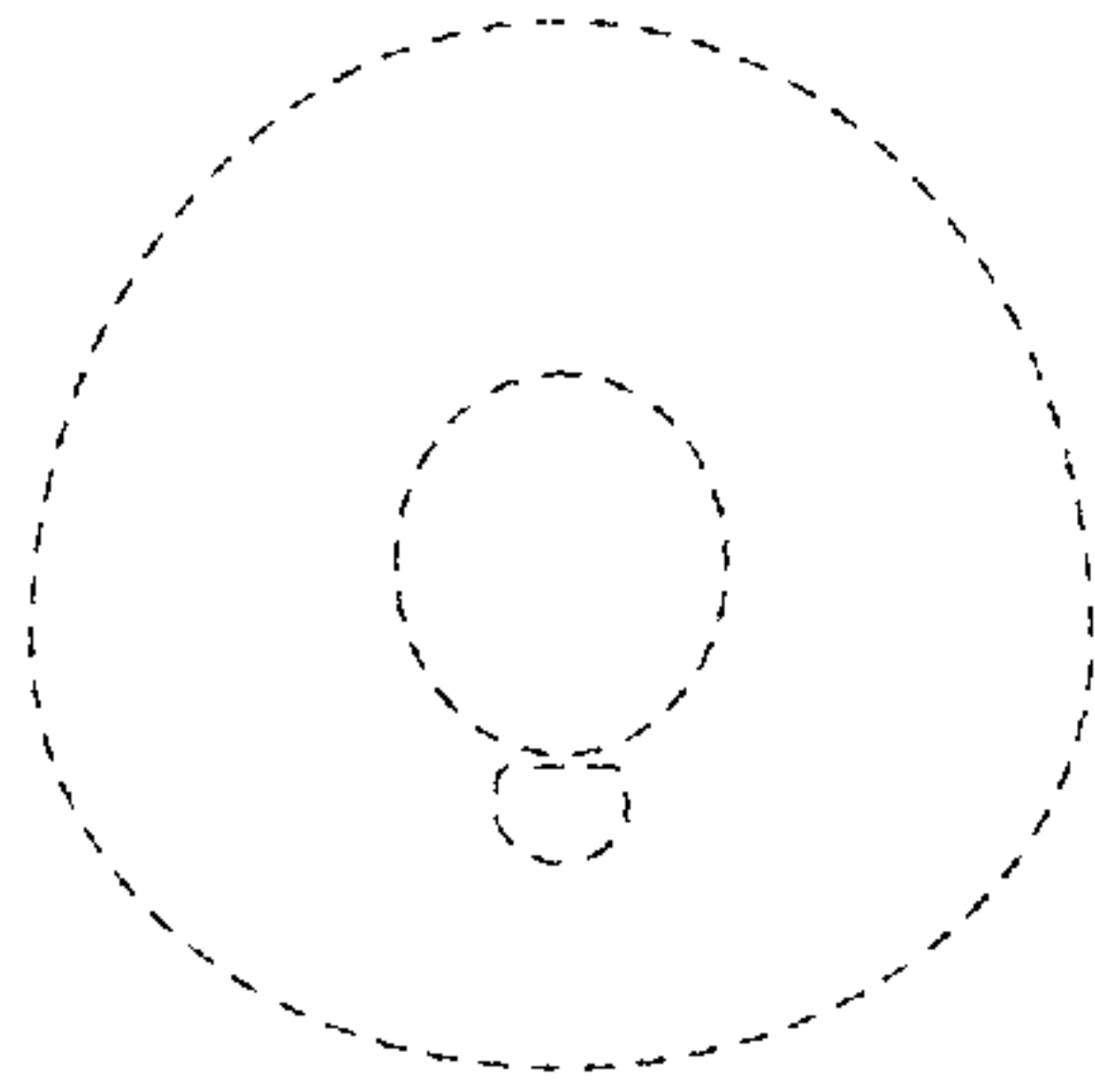


FIG. 7

