



US00D737007S

(12) **United States Design Patent**  
**Theising et al.**

(10) **Patent No.:** **US D737,007 S**

(45) **Date of Patent:** **\*\* Aug. 18, 2015**

(54) **UPRIGHT VACUUM CLEANER**

(71) Applicant: **Emerson Electric Co.**, St. Louis, MO (US)

(72) Inventors: **John L. Theising**, St. Peters, MO (US);  
**Shane Glasgow**, St. Ann, MO (US);  
**Douglas K. Ritterling**, Chesterfield, MO (US)

(73) Assignee: **EMERSON ELECTRIC CO.**, St. Louis, MO (US)

(\*\*) Term: **14 Years**

(21) Appl. No.: **29/461,541**

(22) Filed: **Jul. 24, 2013**

(51) **LOC (10) Cl.** ..... **15-05**

(52) **U.S. Cl.**  
USPC ..... **D32/22**

(58) **Field of Classification Search**  
USPC ..... D32/15-16, 18-21, 22, 30-34; D15/18;  
D12/111, 114; 15/410-412, 246.2,  
15/320, 329, 344, 350, 347, DIG. 10, 349,  
15/351-353, 340.2, 361, 362; 55/DIG. 3,  
55/323, 337, 429; D8/68-69

See application file for complete search history.

(56) **References Cited**

**U.S. PATENT DOCUMENTS**

D462,813 S *	9/2002	Nakano et al.	D32/22
D510,465 S *	10/2005	Takahashi et al.	D32/22
D532,944 S *	11/2006	Choi	D32/22
D537,584 S *	2/2007	Greene et al.	D32/22
D588,760 S *	3/2009	Chun et al.	D32/22
D608,512 S *	1/2010	Catron	D32/22

D610,317 S *	2/2010	Lee et al.	D32/22
D612,556 S *	3/2010	Catron	D32/22
D633,264 S *	2/2011	Lee	D32/22
D651,777 S *	1/2012	Dammkoehler	D32/22
D670,878 S *	11/2012	Lee	D32/22
2011/0219578 A1 *	9/2011	Liu et al.	15/350

\* cited by examiner

*Primary Examiner* — Ruth McInroy

(74) *Attorney, Agent, or Firm* — Sutton McAughan Deaver PLLC

(57) **CLAIM**

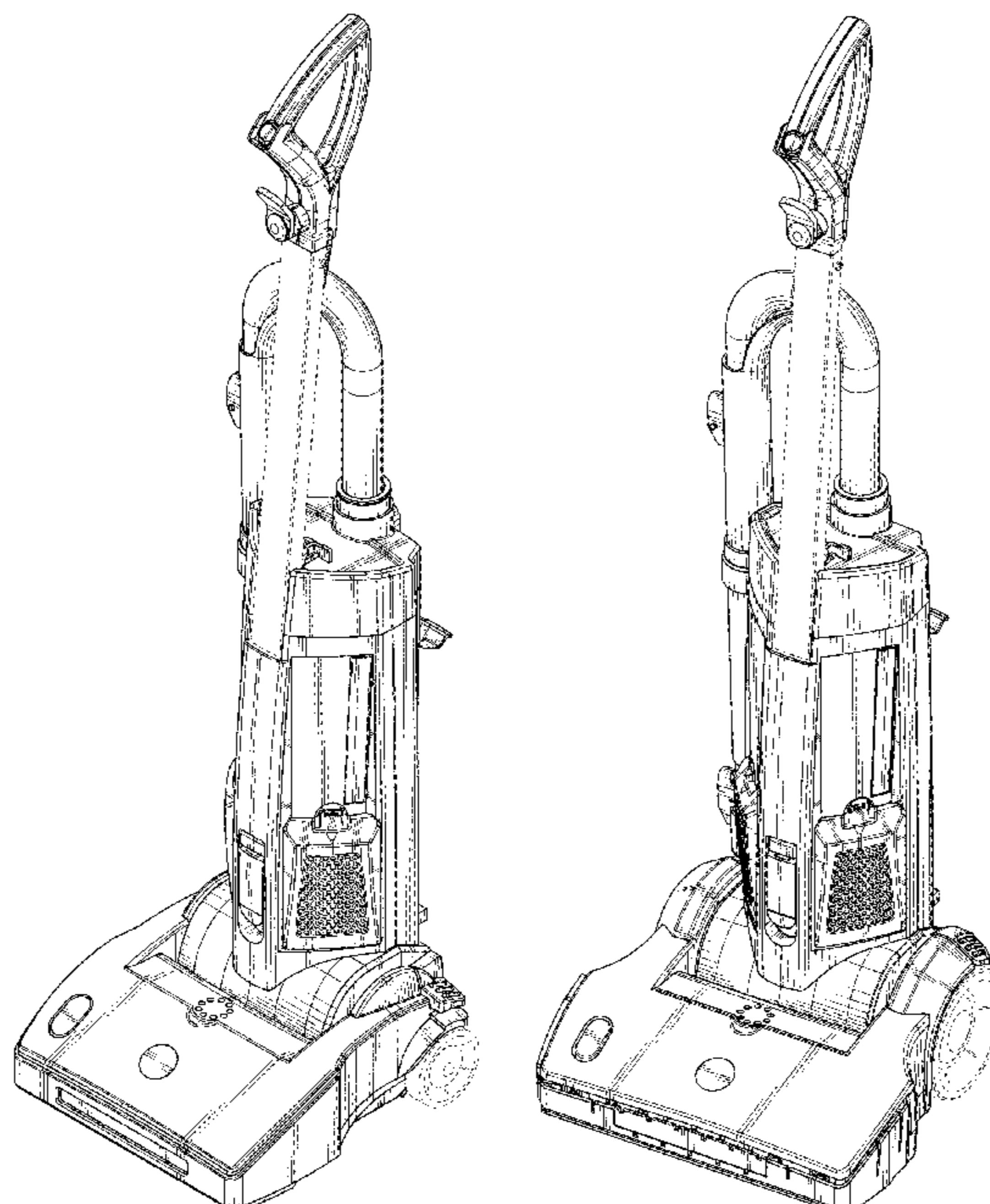
The ornamental design for an upright vacuum cleaner, as shown and described.

**DESCRIPTION**

FIG. 1 is a front perspective view of an upright vacuum cleaner showing our new design;  
 FIG. 2 is a front view thereof;  
 FIG. 3 is a back view thereof;  
 FIG. 4 is a side view thereof;  
 FIG. 5 is a side view, showing the side opposite that shown in FIG. 4;  
 FIG. 6 is a top view thereof; and  
 FIG. 7 is a bottom view thereof.  
 FIG. 8 is a front perspective view of a second embodiment thereof;  
 FIG. 9 is a front view of FIG. 8;  
 FIG. 10 is a back view of FIG. 8;  
 FIG. 11 is a side view of FIG. 8;  
 FIG. 12 is a side view of the opposite side of FIG. 11;  
 FIG. 13 is a top view of FIG. 8; and  
 FIG. 14 is a bottom view of FIG. 8.

The broken lines in the Figures are for the purpose of illustrating exemplary environmental structure and form no part of the claimed design.

**1 Claim, 12 Drawing Sheets**



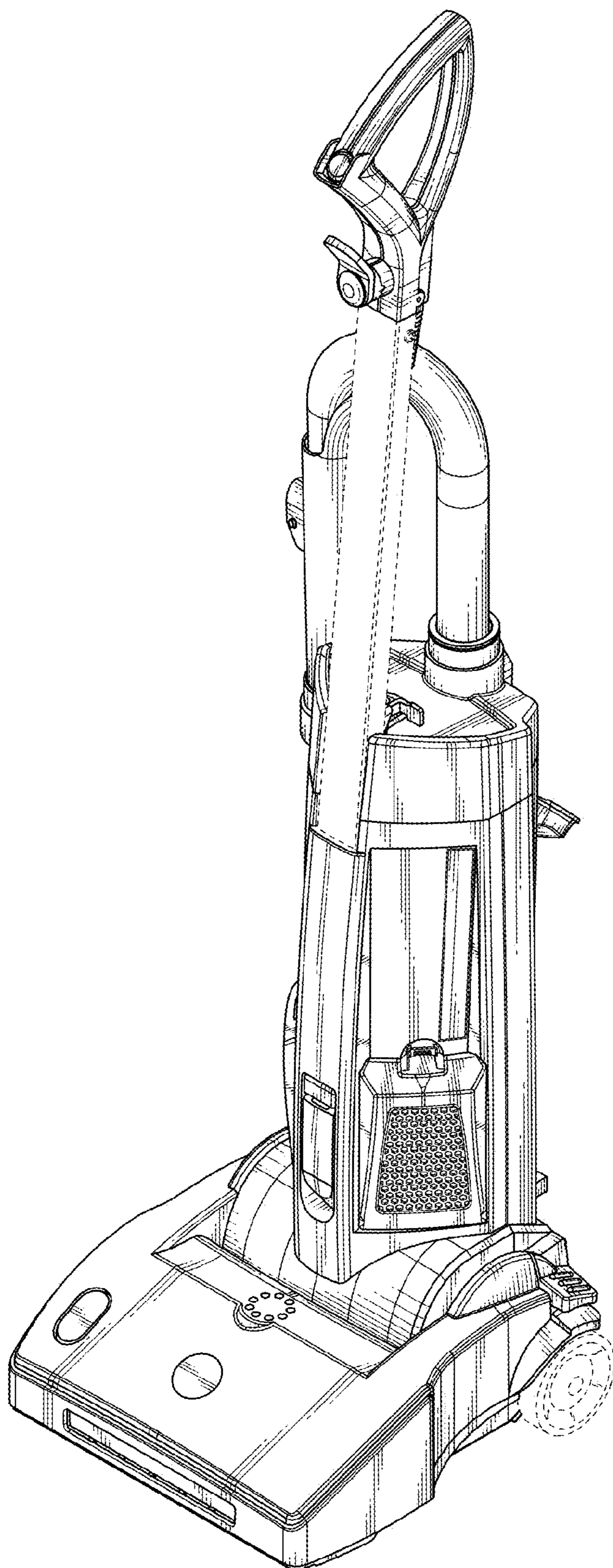


FIG. 1

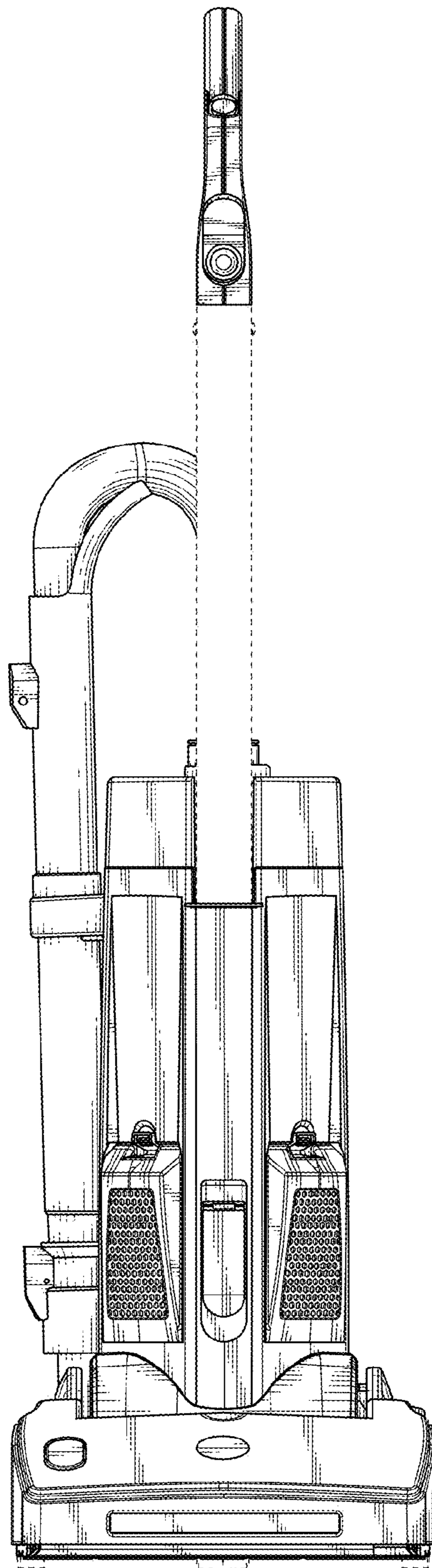


FIG. 2

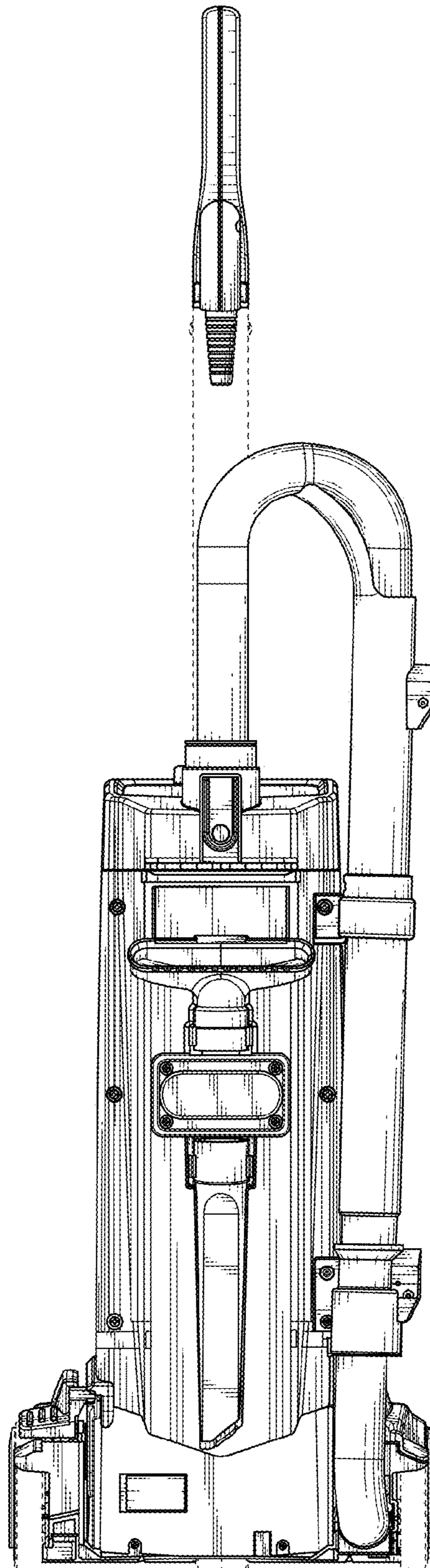


FIG. 3

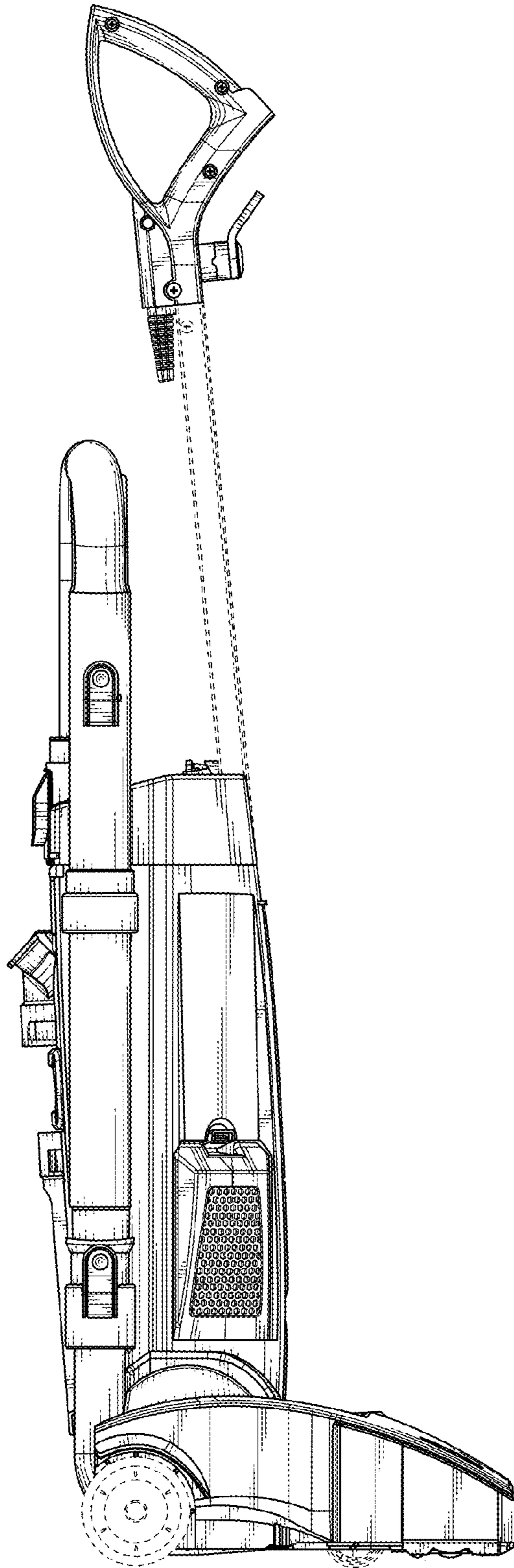


FIG. 4

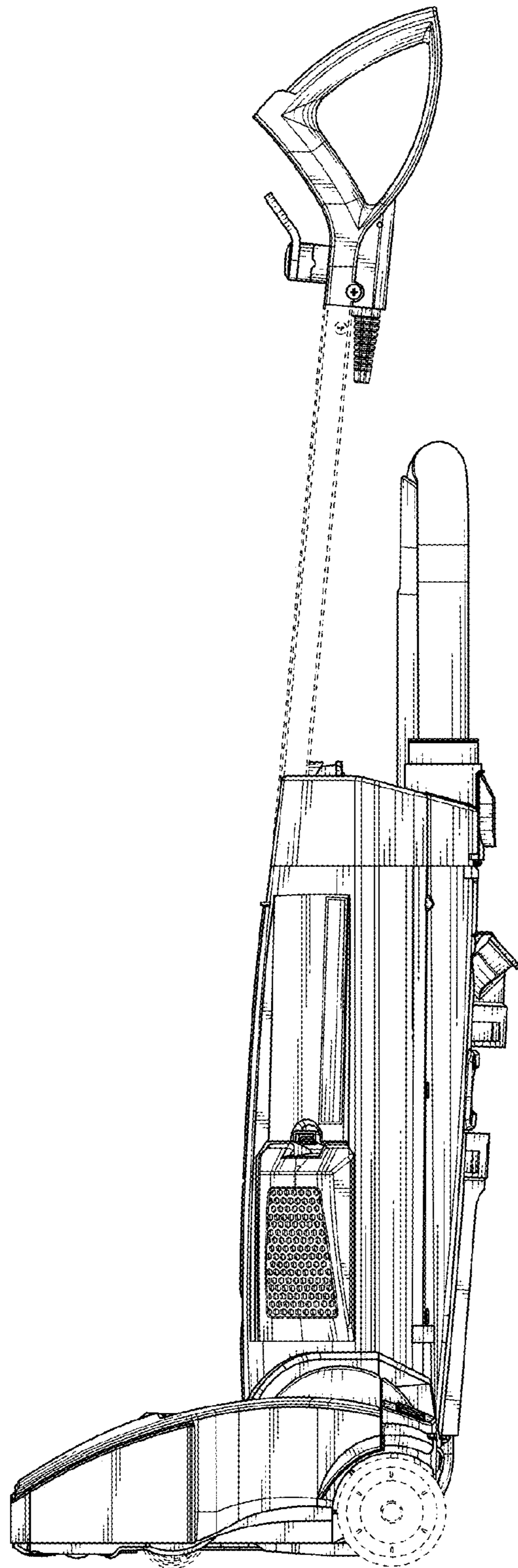


FIG. 5

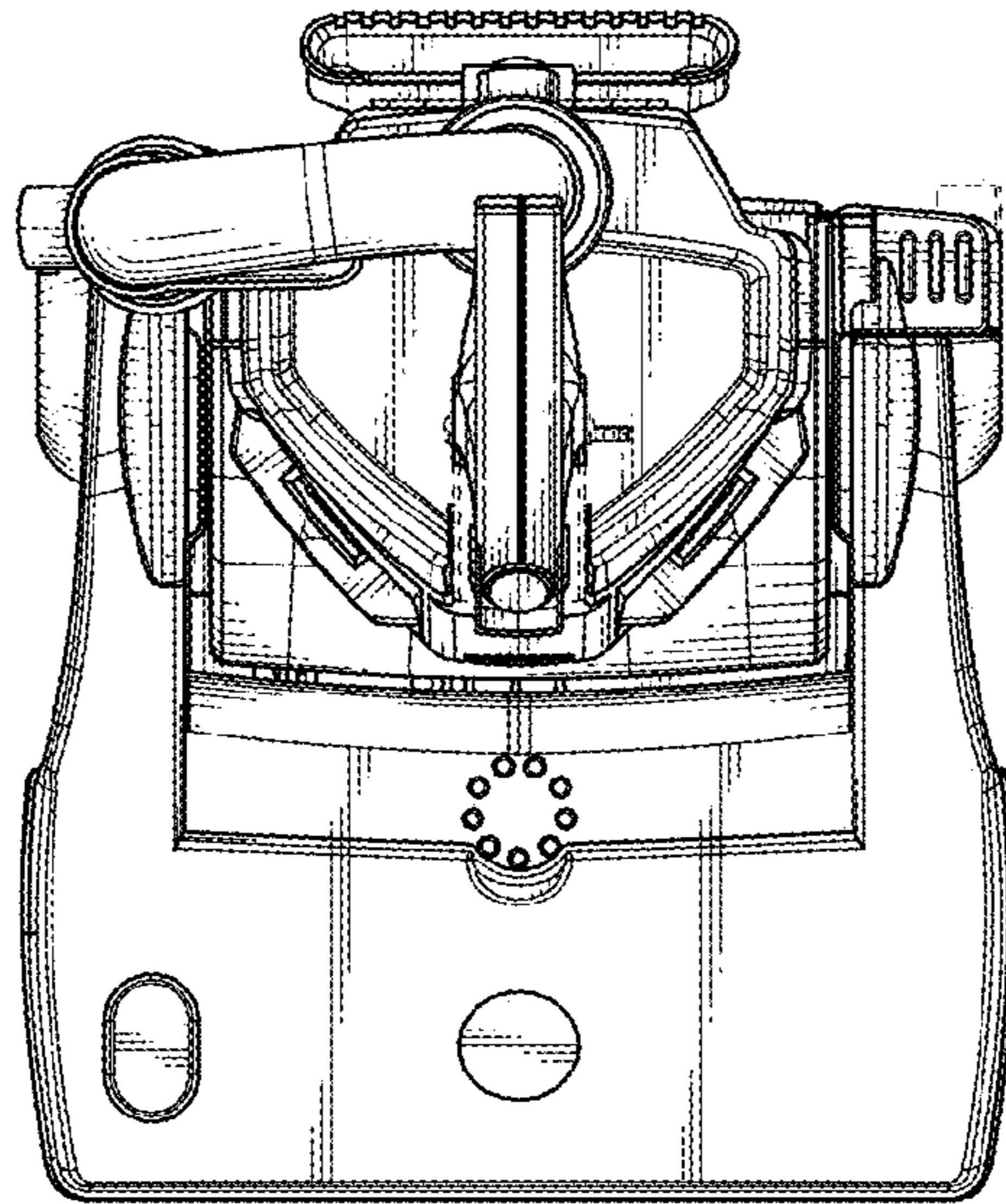


FIG. 6

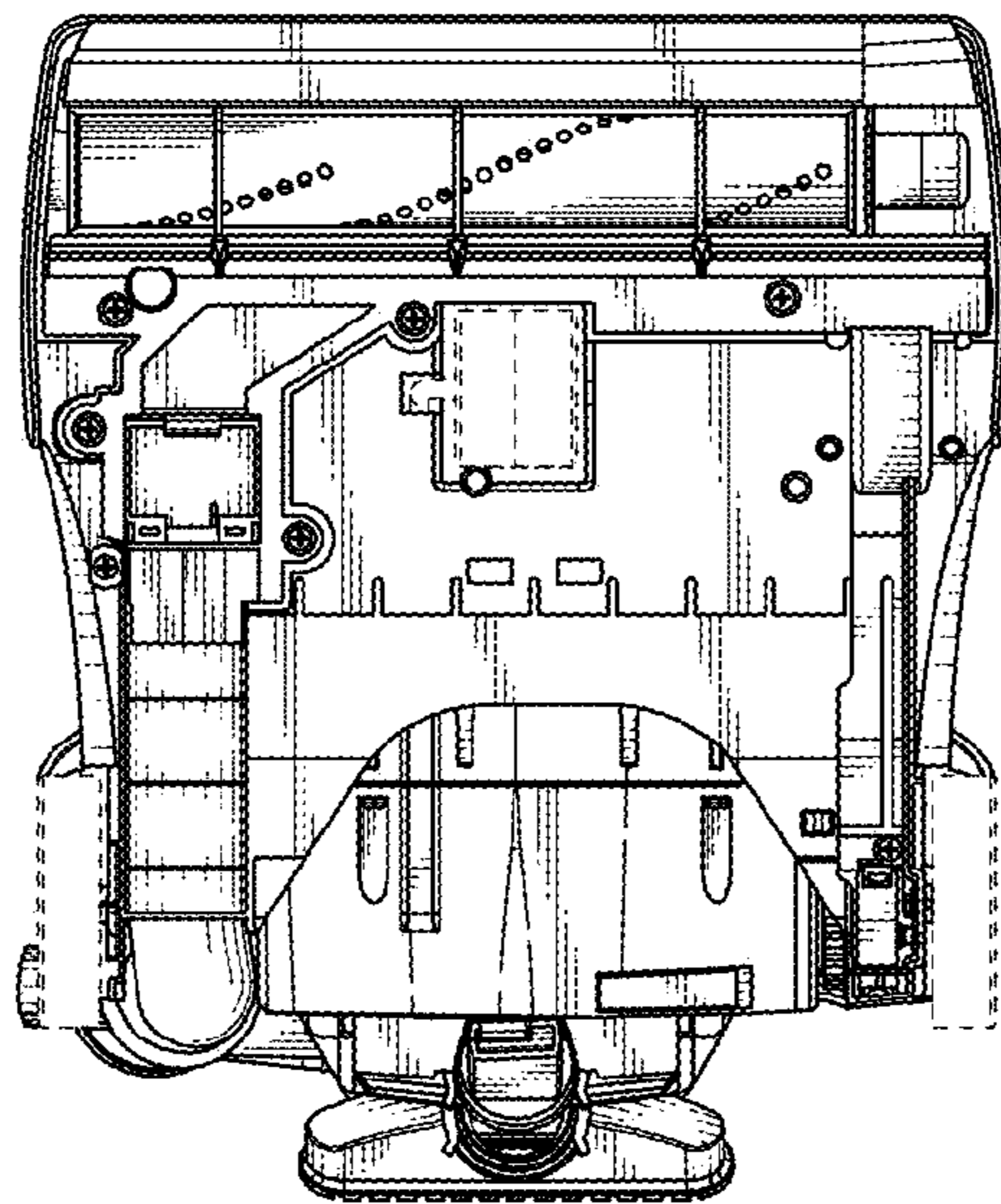


FIG. 7

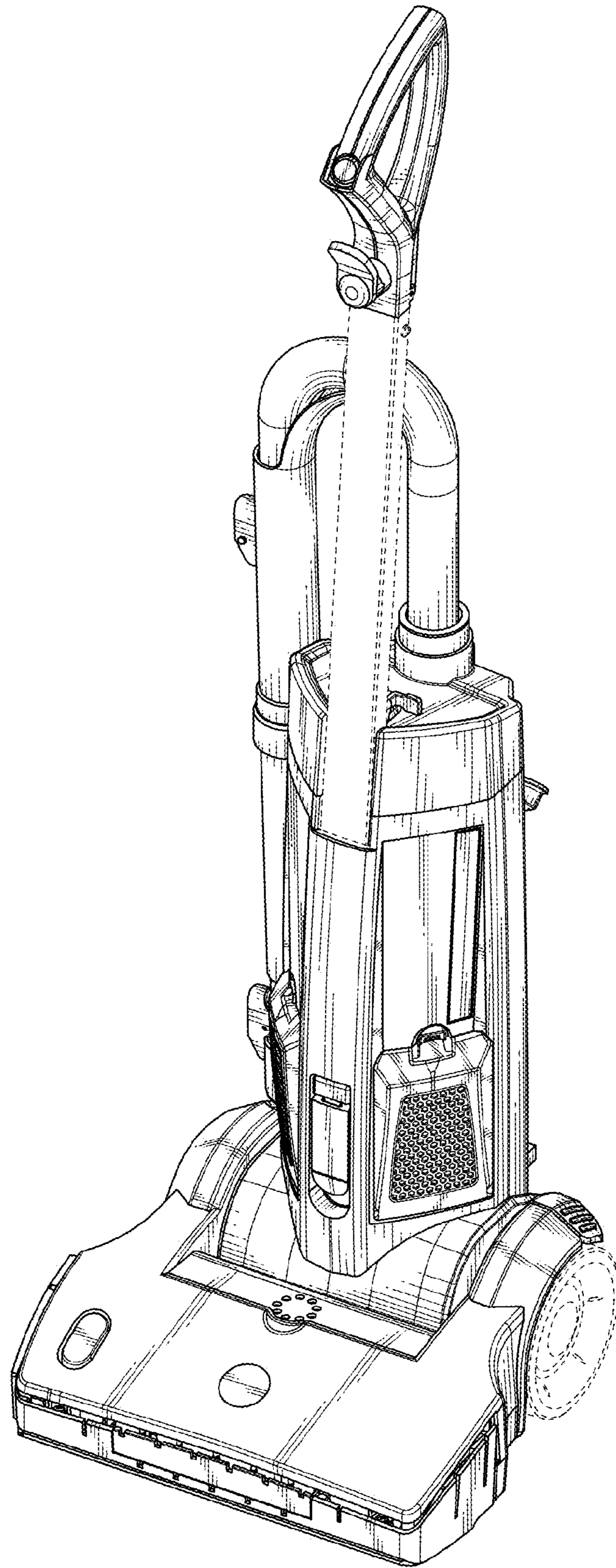


FIG. 8



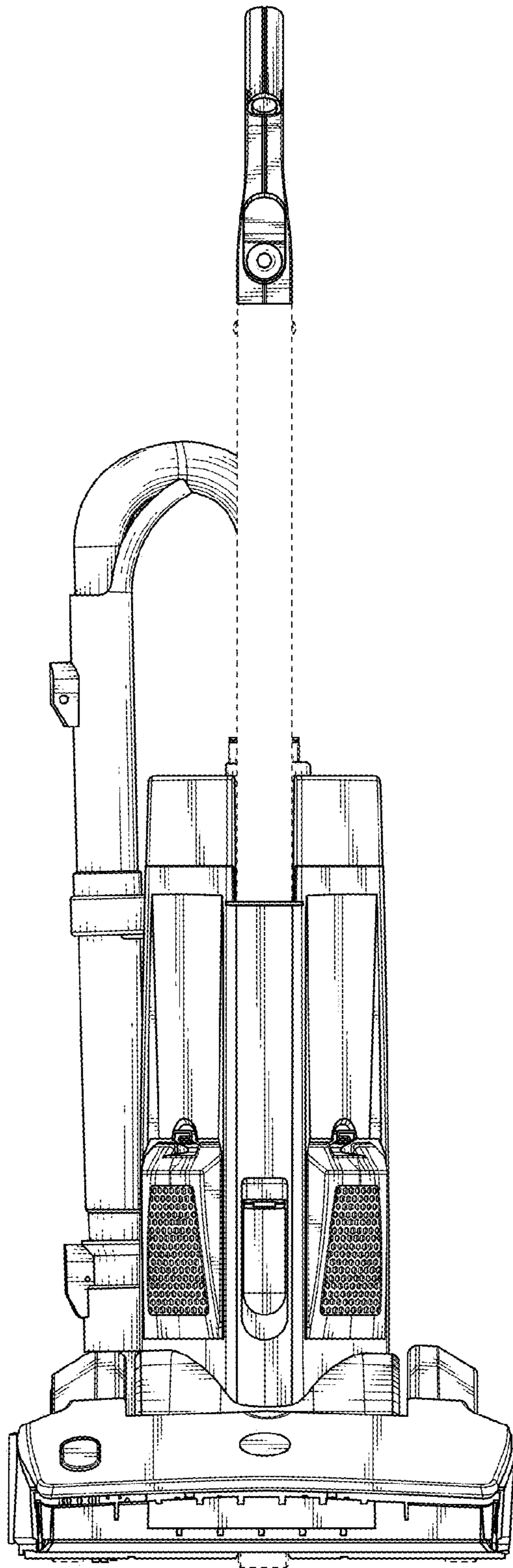


FIG. 9

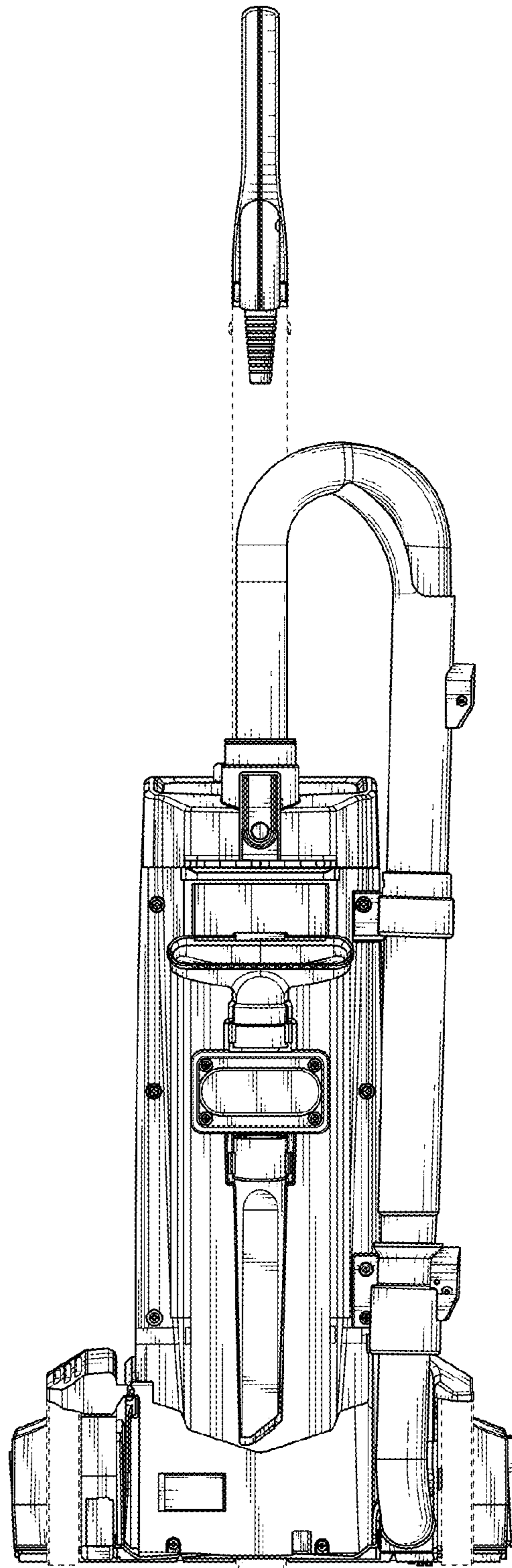


FIG. 10

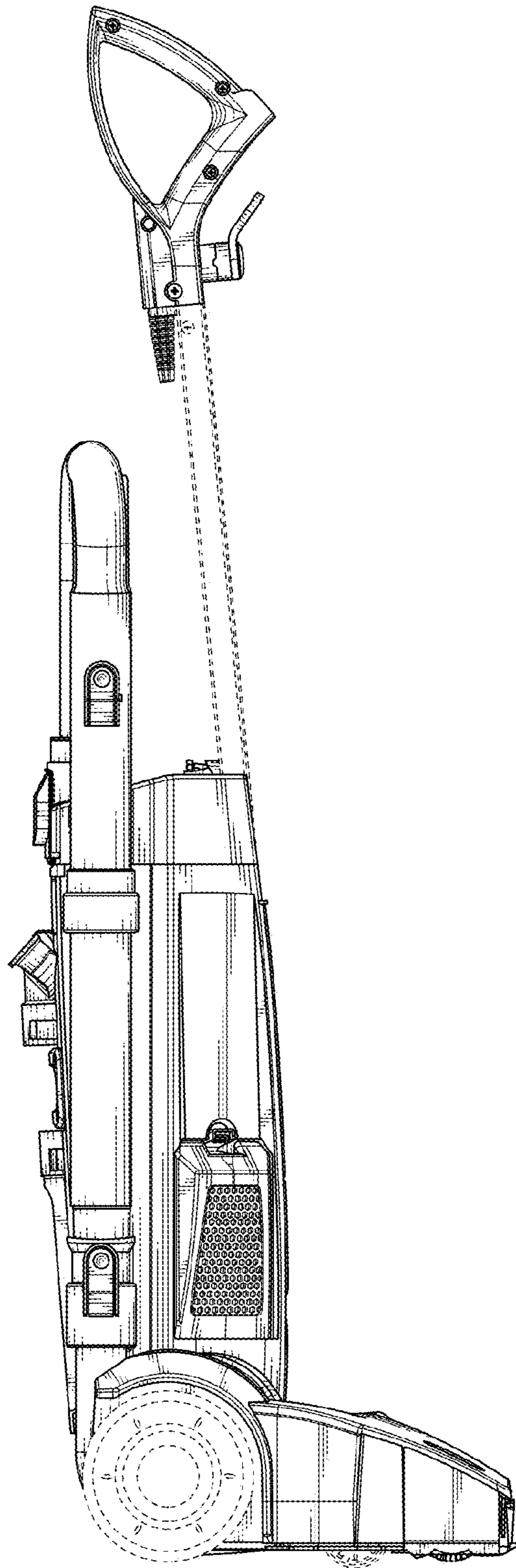


FIG. 11

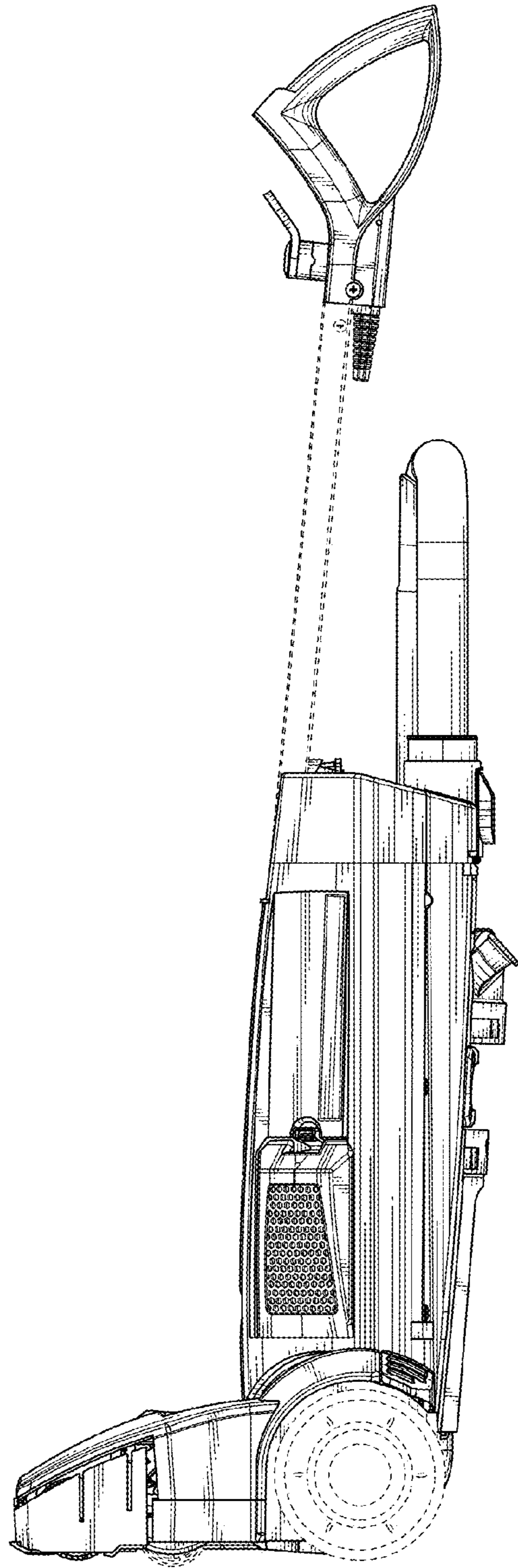


FIG. 12

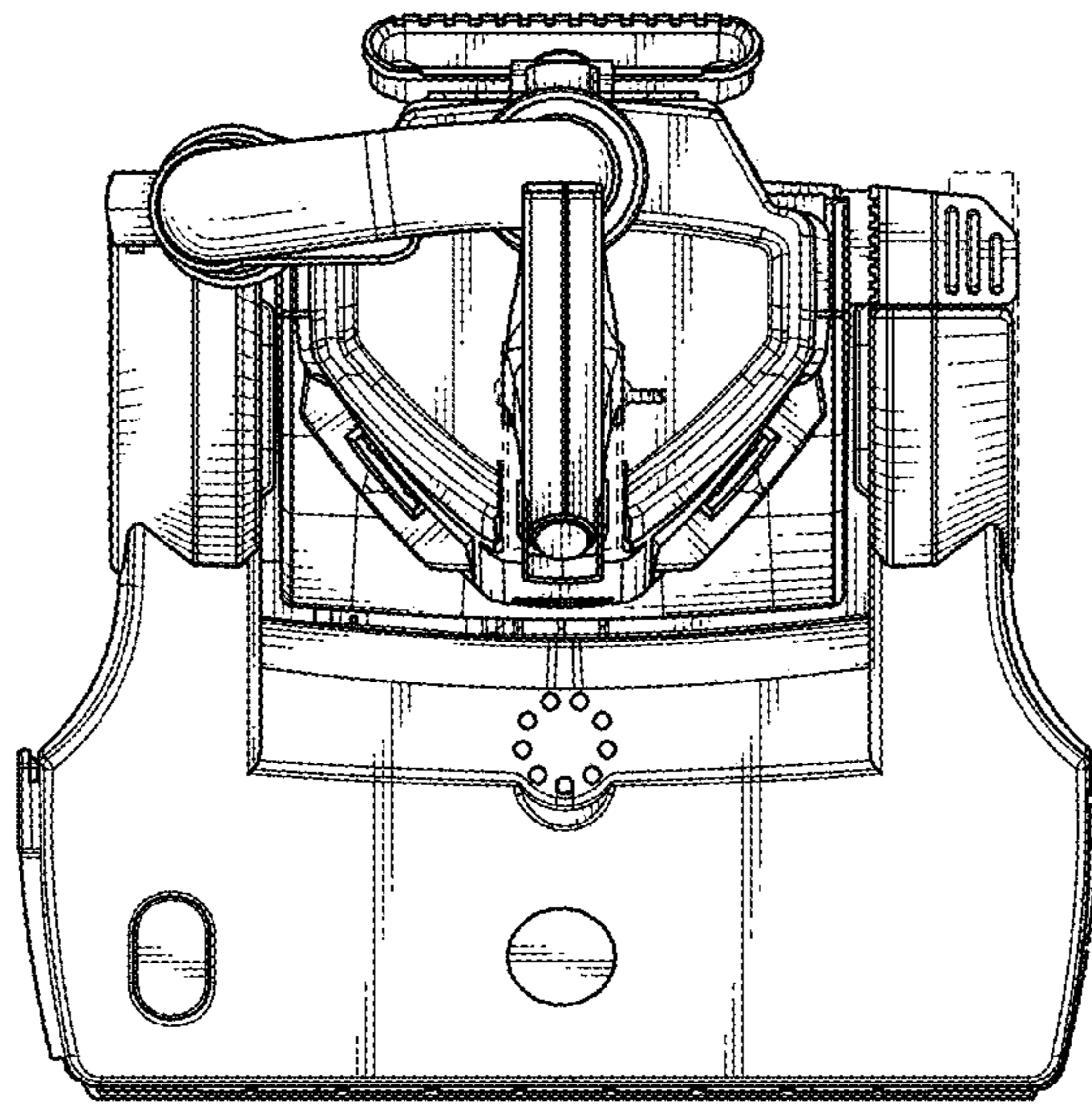


FIG. 13

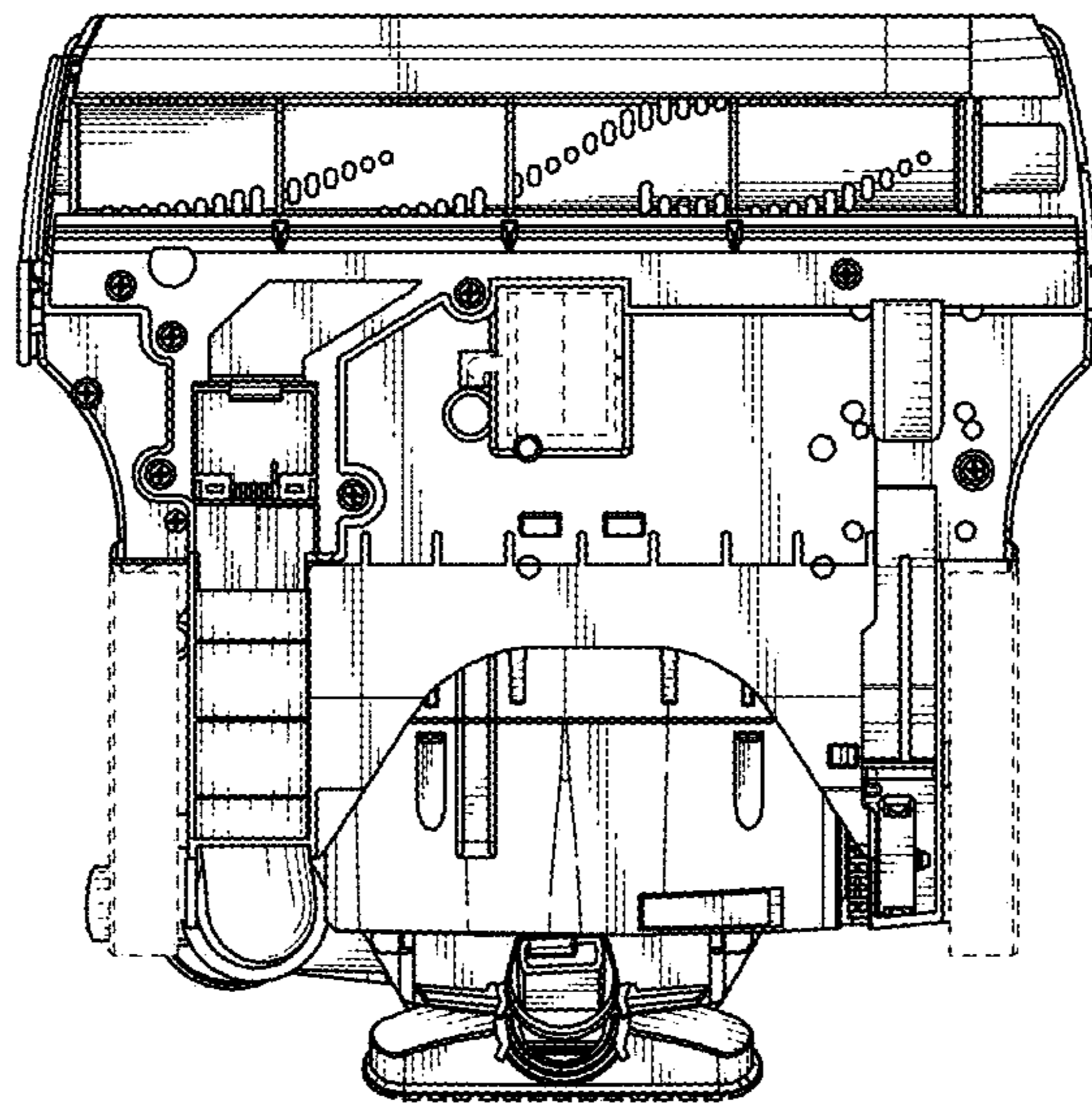


FIG. 14