

US00D737006S

(12) **United States Design Patent**  
**Heck et al.**

(10) **Patent No.:** **US D737,006 S**  
(45) **Date of Patent:** **\*\* Aug. 18, 2015**

(54) **CLEANER**

(56) **References Cited**

(71) Applicant: **Samsung Electronics Co., Ltd.**,  
Suwon-si (KR)  
(72) Inventors: **Felix Heck**, Munich (DE); **Yu Na Oh**,  
Munich (DE); **Ju Suek Lee**, Munich  
(DE); **Youna Kim**, Yongin-si (KR);  
**Yeonyoung Nam**, Goyang-si (KR);  
**Jaeho Jang**, Seoul (KR)  
(73) Assignee: **Samsung Electronics Co., Ltd.**,  
Suwon-si (KR)

U.S. PATENT DOCUMENTS

D527,854	S	*	9/2006	Marzynski	.....	D32/21
D548,411	S	*	8/2007	Schroter	.....	D32/21
D593,265	S	*	5/2009	Carr et al.	.....	D32/21
D659,920	S	*	5/2012	Lee et al.	.....	D32/21
D661,032	S	*	5/2012	Lee et al.	.....	D32/21
D691,337	S	*	10/2013	Kim et al.	.....	D32/21
D704,400	S	*	5/2014	Shin et al.	.....	D32/21
D714,003	S	*	9/2014	Casini	.....	D32/21
D720,103	S	*	12/2014	Haug et al.	.....	D32/21
D720,511	S	*	12/2014	Shin et al.	.....	D32/21
2014/0166047	A1	*	6/2014	Hillen et al.	.....	134/6
2014/0259475	A1	*	9/2014	Doughty	.....	15/52.1

(\*\*) Term: **14 Years**

\* cited by examiner

(21) Appl. No.: **29/486,770**

*Primary Examiner* — Ruth McInroy

(22) Filed: **Apr. 2, 2014**

(74) *Attorney, Agent, or Firm* — NSIP Law

(30) **Foreign Application Priority Data**

(57) **CLAIM**

We claim the ornamental design for a cleaner, as shown and described.

Oct. 10, 2013 (KR) ..... 30-2013-0051386

(51) **LOC (10) Cl.** ..... **15-05**

(52) **U.S. Cl.**  
USPC ..... **D32/21**

(58) **Field of Classification Search**  
USPC ..... D32/19–21, 25, 31–33; D4/102, 127,  
D4/128, 133, 136  
CPC ..... A47J 37/0713; A47L 9/2842; A47L  
2201/00; A47L 5/30; A47L 5/28; A47L  
5/362; A47L 9/04; A47L 11/24; A46B  
13/005; A46B 13/001; A61C 17/26; G06N  
3/008; B25J 9/1697; G01S 13/931; B62D  
58/032; B62D 57/032; E01H 1/053; E01H  
1/02

**DESCRIPTION**

FIG. 1 is a front perspective view of a cleaner showing our new design;  
FIG. 2 is a front view thereof;  
FIG. 3 is a rear view thereof;  
FIG. 4 is a left-side view thereof;  
FIG. 5 is a right-side view thereof;  
FIG. 6 is a top view thereof;  
FIG. 7 is a bottom view thereof; and,  
FIG. 8 is a right-side view showing two details in an alternate position.  
The broken lines in the figures show portions of the cleaner which form no part of the claimed design.

See application file for complete search history.

**1 Claim, 8 Drawing Sheets**

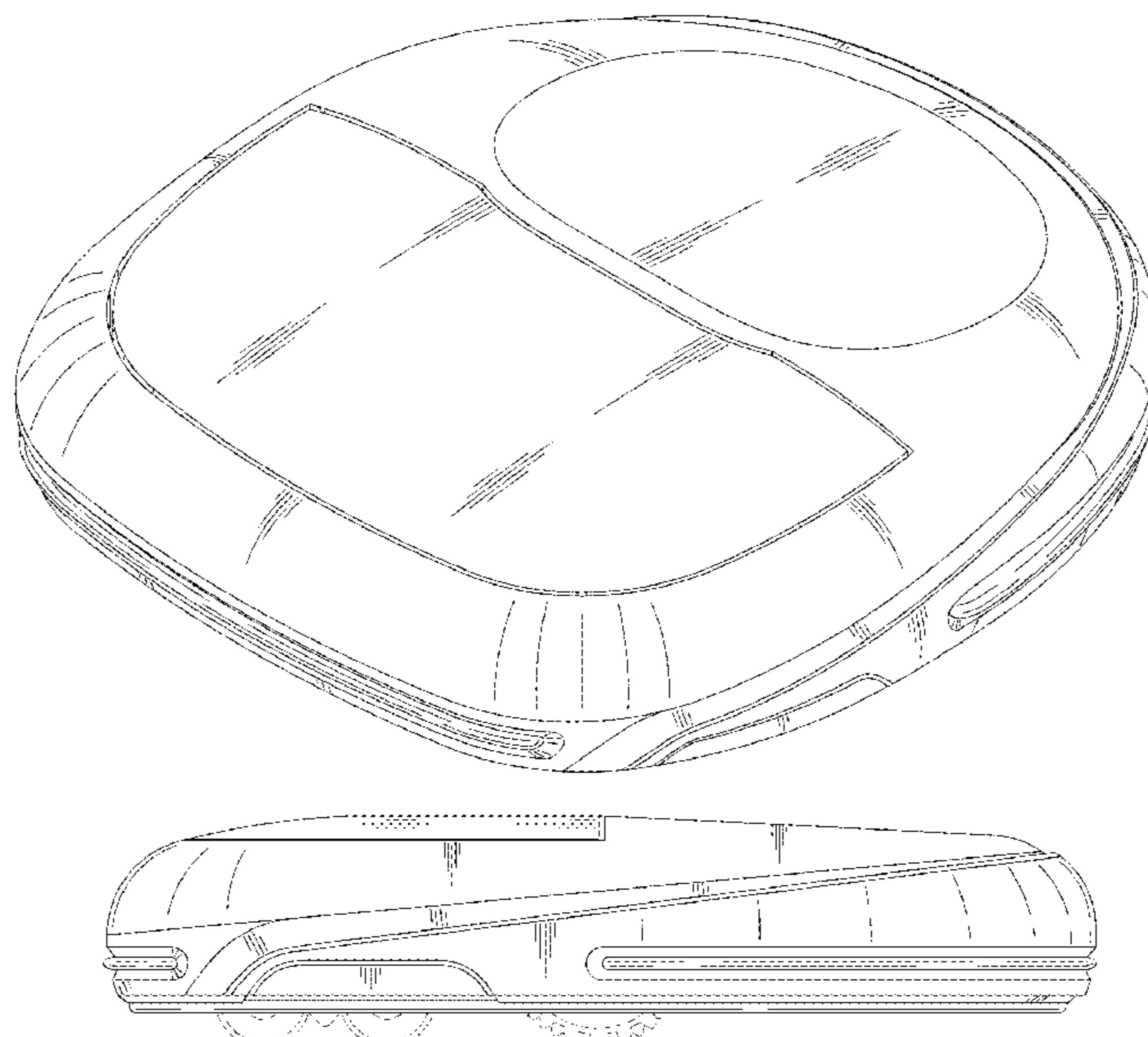


FIG. 1

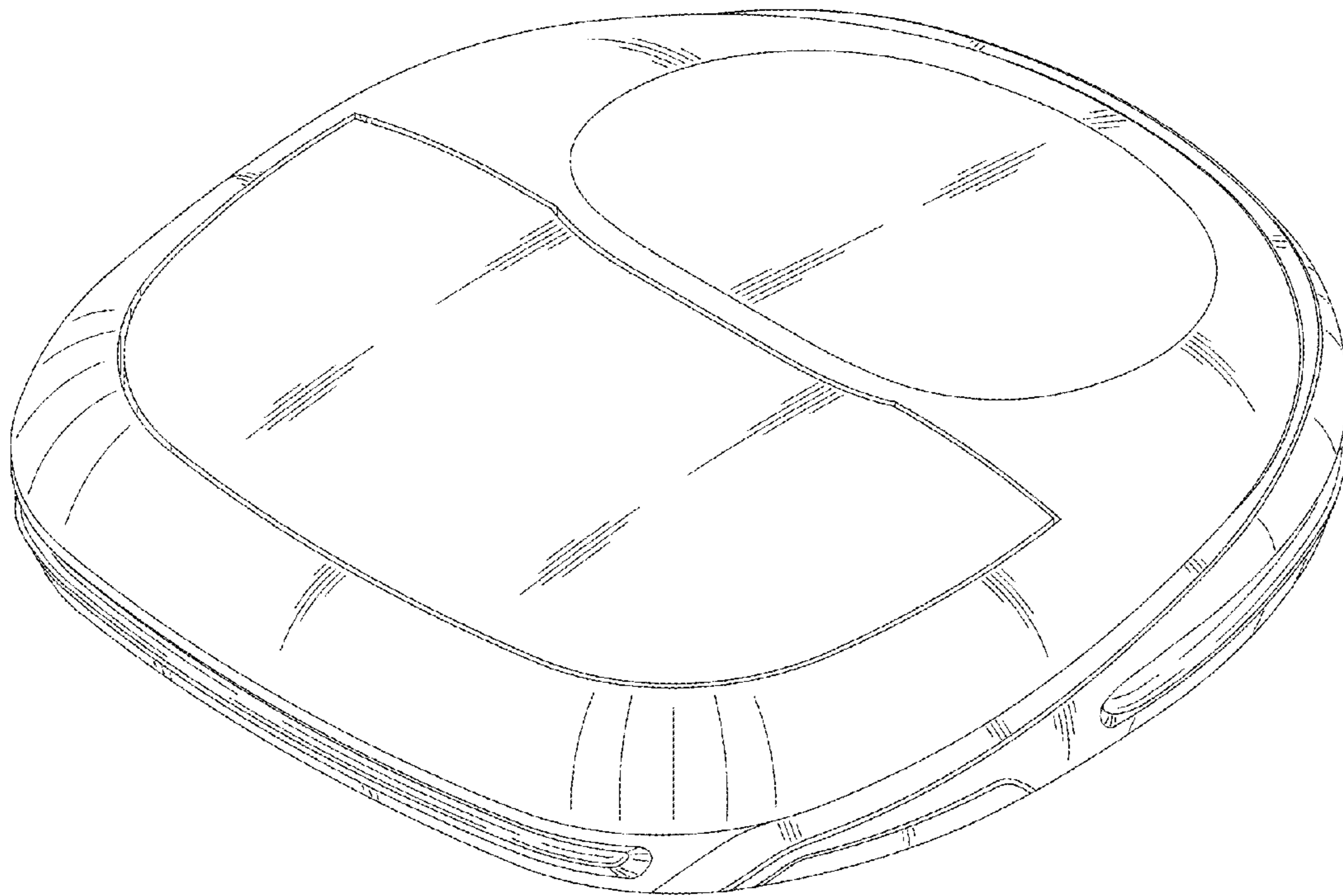


FIG. 2

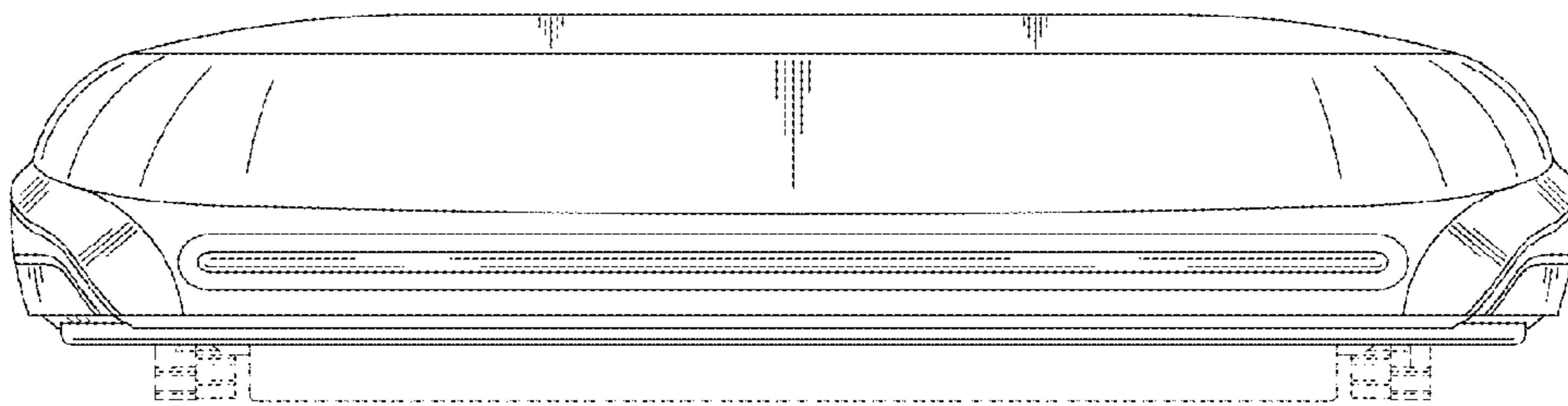


FIG. 3

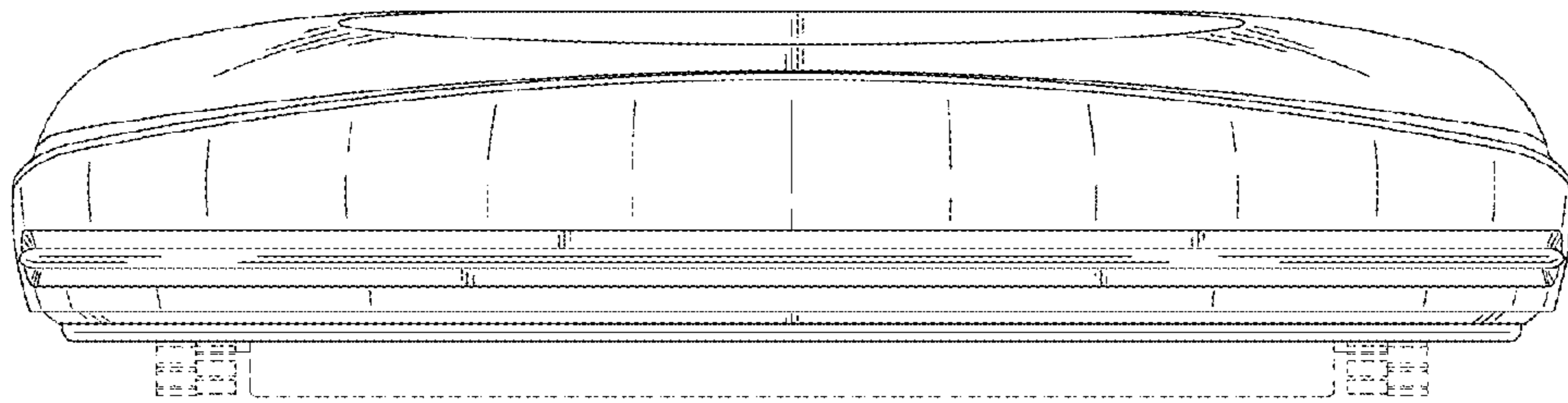


FIG. 4

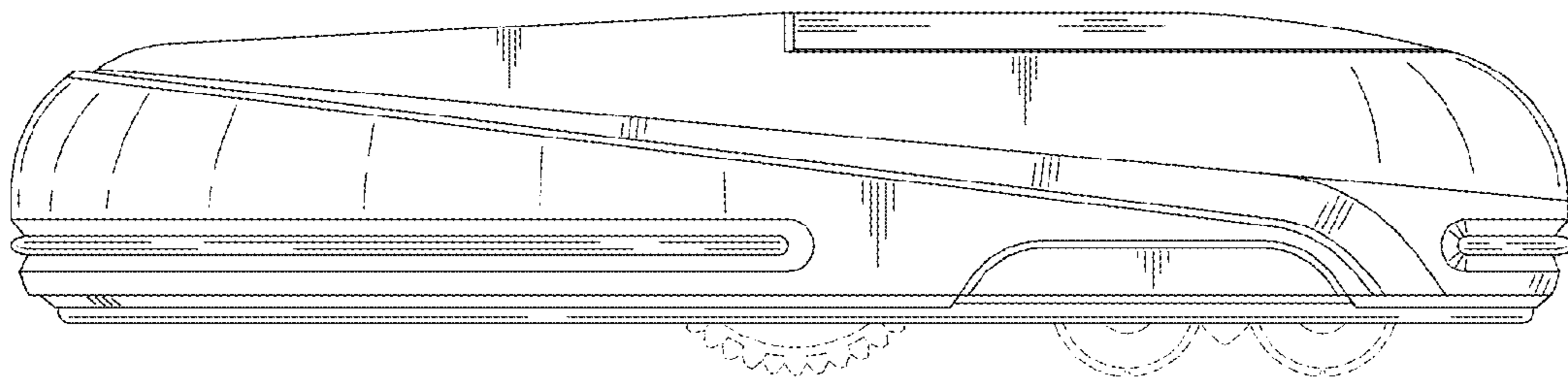


FIG. 5

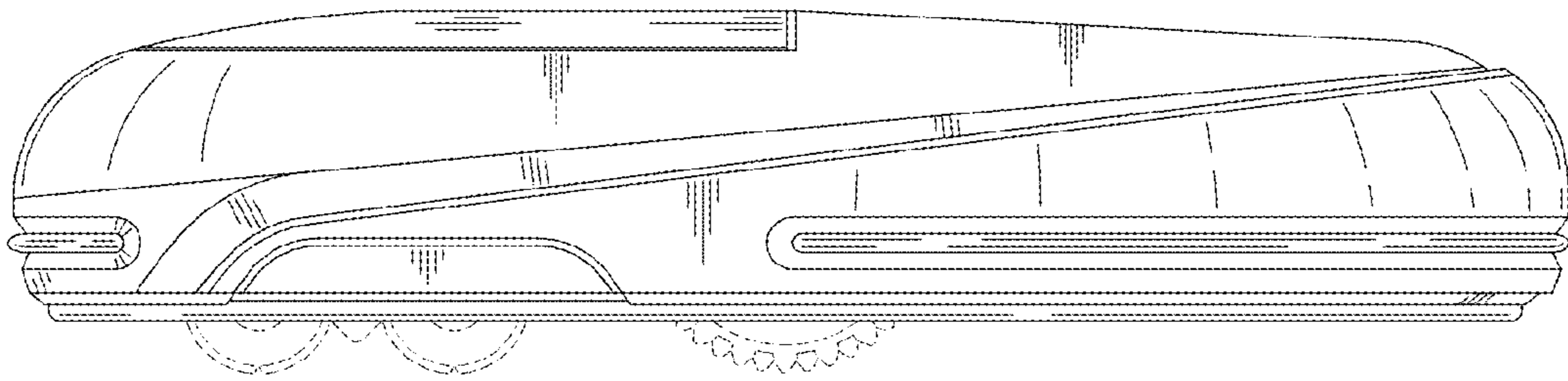


FIG. 6

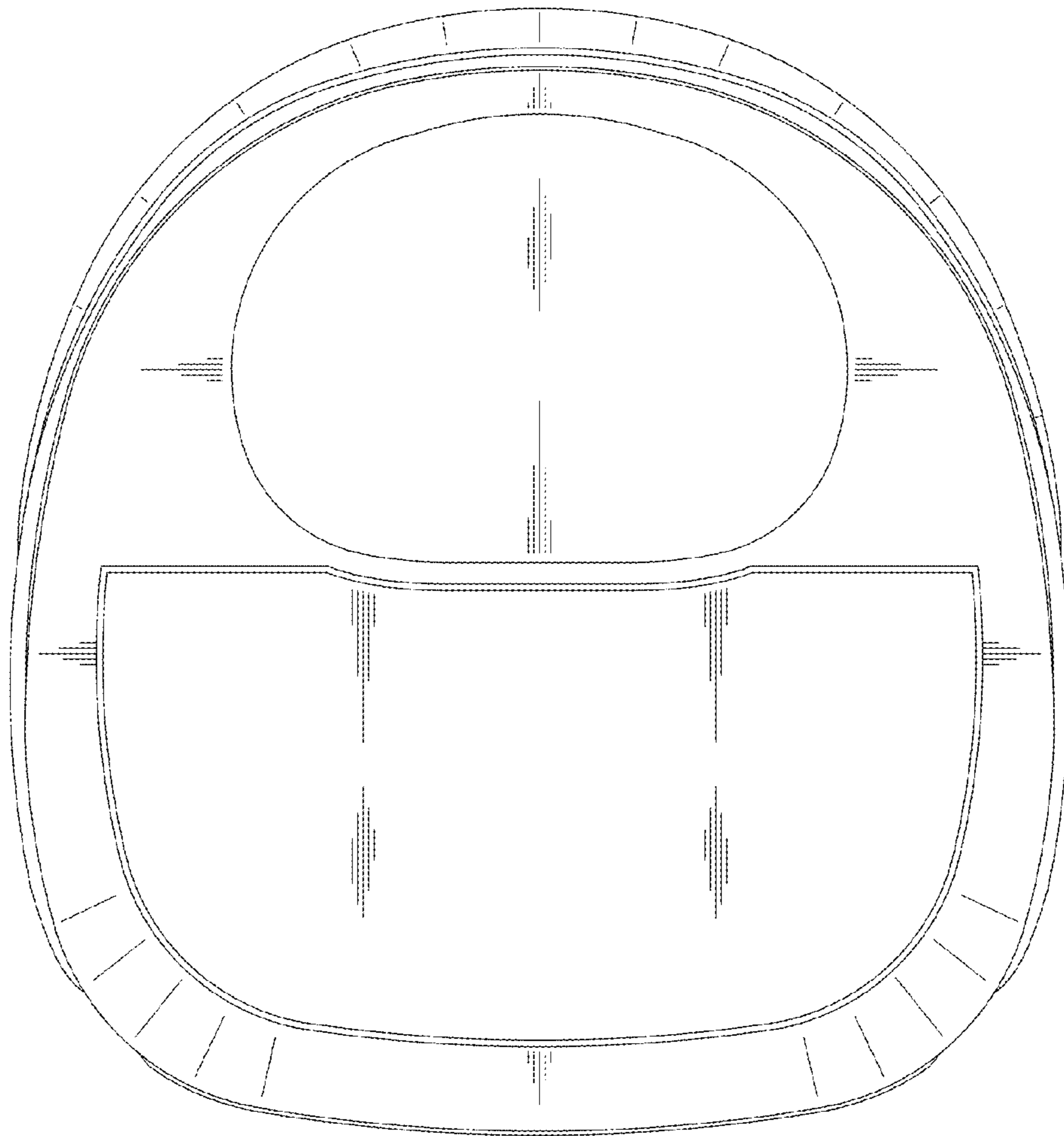




FIG. 7

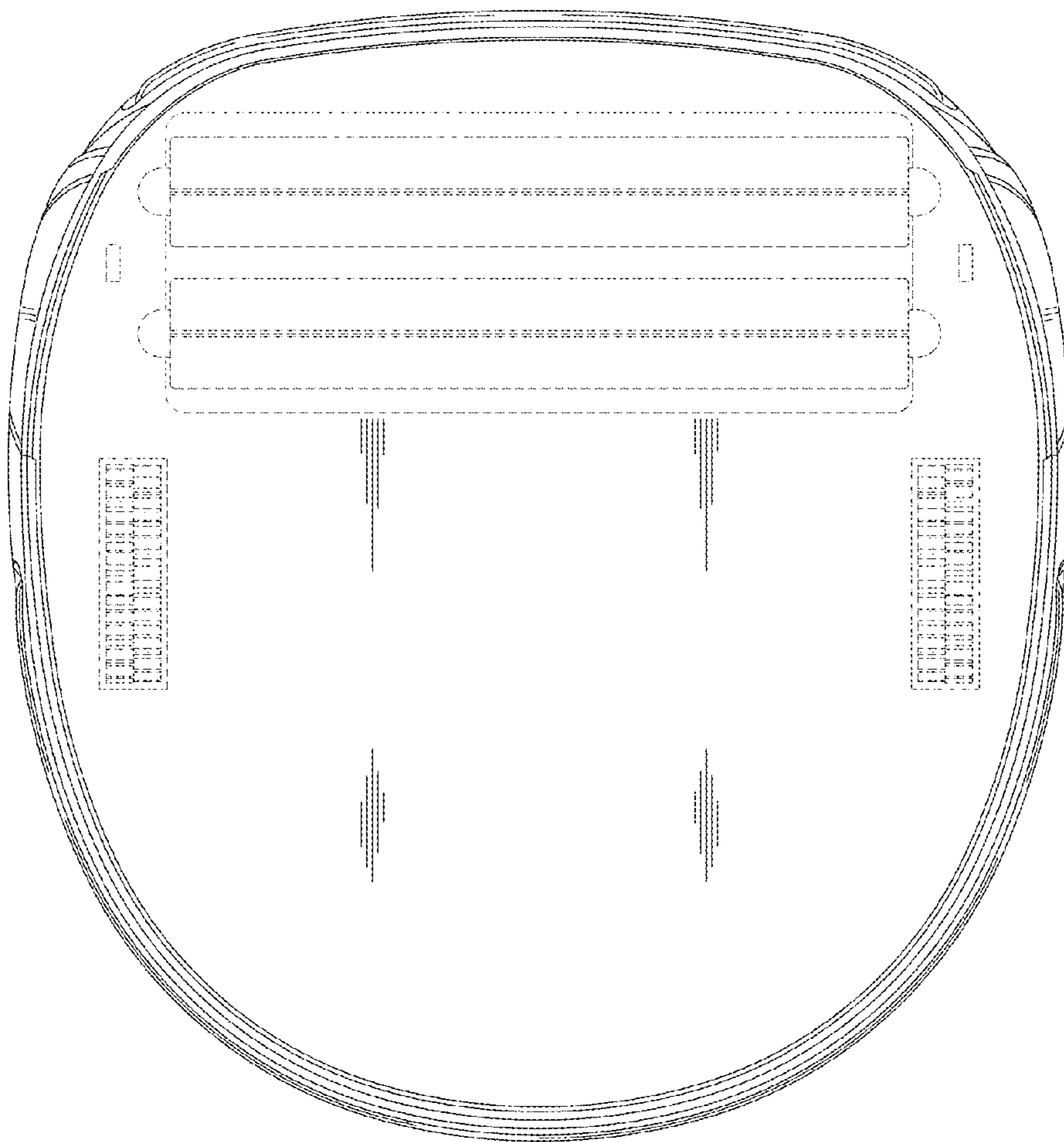




FIG. 8

