



US00D737005S

(12) **United States Design Patent**
Dammkoehler

(10) **Patent No.:** **US D737,005 S**

(45) **Date of Patent:** **** Aug. 18, 2015**

(54) **FLOOR CLEANING MACHINE**

(71) Applicant: **Alfred Kaercher GmbH & Co. KG,**
Winnenden (DE)

(72) Inventor: **Denis Dammkoehler,** Backnang (DE)

(73) Assignee: **Alfred Kaercher GmbH & Co. KG,**
Winnenden (DE)

(**) Term: **14 Years**

(21) Appl. No.: **29/469,532**

(22) Filed: **Oct. 11, 2013**

(30) **Foreign Application Priority Data**

Apr. 26, 2013 (WO) DM/080 796

(51) **LOC (10) CL.** **15-05**

(52) **U.S. CL.**
USPC **D32/16**

(58) **Field of Classification Search**
USPC D32/1, 2, 6, 12, 15-16, 4; 134/57 R;
68/5 C, 13 R, 27-28; 15/213-214, 320,
15/323, 340.1, 349; D15/199; D24/217;
239/88, 146, 332, 398; 417/34, 307,
417/364; D12/13-16, 91, 93, 98-99, 406,
D12/92

CPC A47L 7/0036
See application file for complete search history.

(56) **References Cited**

U.S. PATENT DOCUMENTS

D163,279 S *	5/1951	Harris	D12/96
D176,040 S *	11/1955	Schafner et al.	D12/14
D190,367 S *	5/1961	Yabu	D12/85
D194,422 S *	1/1963	McGrew et al.	D12/96
D219,963 S *	2/1971	McCraw, Jr.	D12/15
3,809,267 A *	5/1974	Knight	414/492
D281,109 S *	10/1985	van Raaij	D32/16
D281,633 S *	12/1985	Pratt	D32/16

4,779,303 A *	10/1988	Duthie et al.	15/326
D302,408 S *	7/1989	Yant	D12/1
D386,769 S *	11/1997	Gibbons	D15/23
D419,490 S *	1/2000	Hofer et al.	D12/98
D504,638 S *	5/2005	Tanaka et al.	D12/14
7,703,173 B2 *	4/2010	Tagliaferri	15/340.4
D621,423 S *	8/2010	Nakanishi et al.	D15/23

(Continued)

FOREIGN PATENT DOCUMENTS

WO WO D071504-002 * 3/2010

OTHER PUBLICATIONS

Tennant rider scrubber with a small picture, youtube pub date Mar. 5, 2012, online, site visited Mar. 11, 2015, <https://www.youtube.com/watch?v=RqSFUB34VEU>.*

NPL ride on scrubber pub date Jul. 24, 2012, online, site visited Mar. 11, 2015, <https://www.youtube.com/watch?v=6McRUZWfjls>.*

(Continued)

Primary Examiner — John Windmuller

Assistant Examiner — John R Yeh

(74) *Attorney, Agent, or Firm* — Lipsitz & McAllister, LLC

(57) **CLAIM**

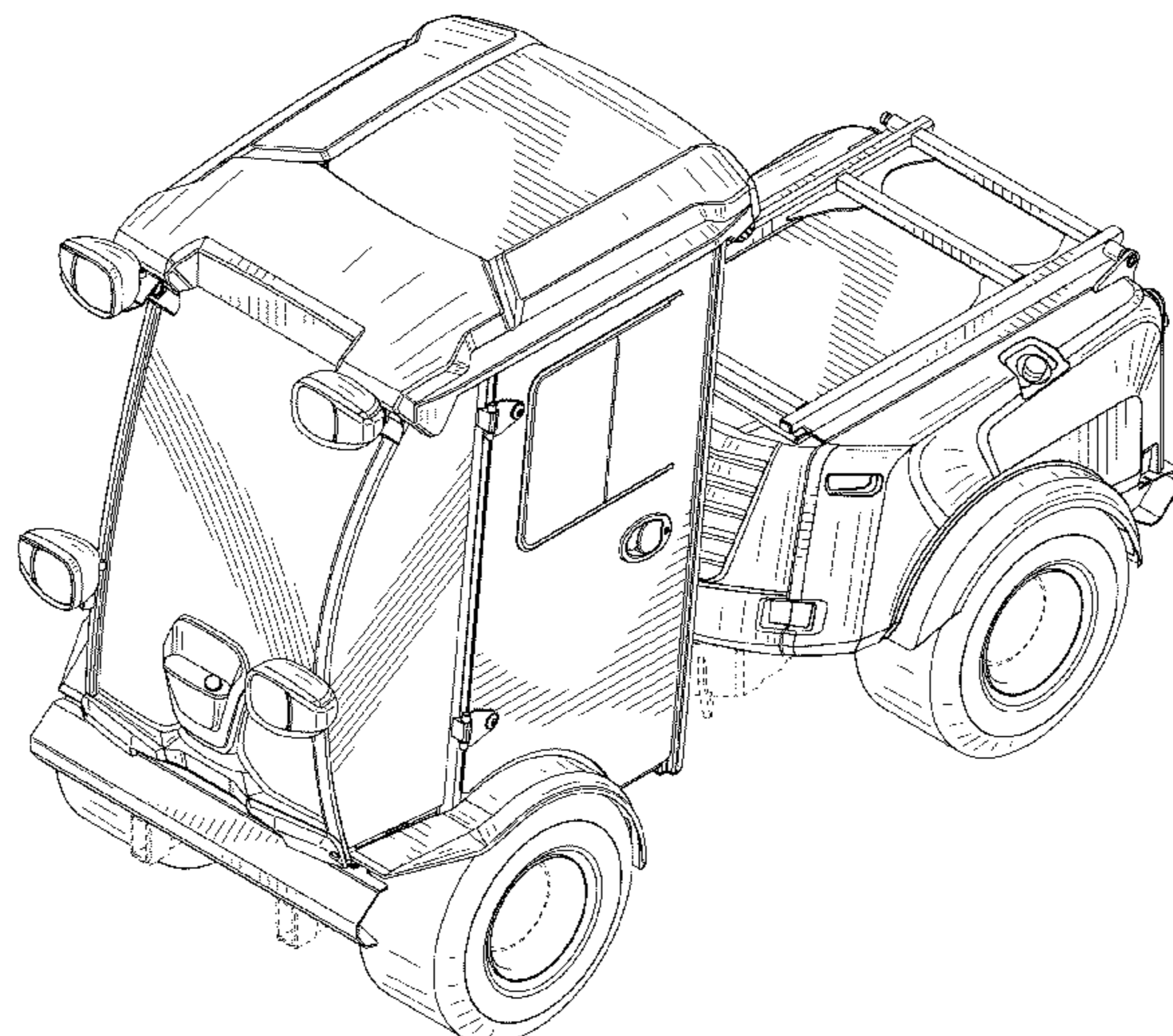
The ornamental design for a floor cleaning machine, as shown and described.

DESCRIPTION

FIG. 1 is a front, top and left side perspective view of a floor cleaning machine showing the new design; FIG. 2 is a front, top and right side perspective view thereof; FIG. 3 is a front elevational view thereof; FIG. 4 is a left side elevational view thereof; FIG. 5 is a rear elevational view thereof; FIG. 6 is a right side elevational view thereof; and, FIG. 7 is a top plan view thereof.

The broken lines illustrate portions of the floor cleaning machine that form no part of the claimed design.

1 Claim, 7 Drawing Sheets



(56)

References Cited

U.S. PATENT DOCUMENTS

D642,343 S *	7/2011	Dammkoehler	D32/16
D643,340 S *	8/2011	Pottieri	D12/98
8,806,704 B2 *	8/2014	Wahl et al.	15/340.3
2007/0079471 A1 *	4/2007	Tagliaferri	15/340.1
2007/0163071 A1 *	7/2007	Bussolotti et al.	15/340.1
2008/0098562 A1 *	5/2008	Tagliaferri	15/340.1

OTHER PUBLICATIONS

Extract from catalog of Alfred Kaercher GmbH & Co. KG, "Programme 2006", cover, pp. 232-233, 236-237 and last page (Dec. 2005).

Extract from catalog of Alfred Kaercher GmbH & Co. KG, "Programme 2007", cover, pp. 253-257, 261-263 and last page (Jan. 2007).

Extract from catalog of Alfred Kaercher GmbH & Co. KG, "Programme 2008", cover, pp. 269-273, 277-279, 281 and last page (Dec. 2007).

Extract from catalog of Alfred Kaercher GmbH & Co. KG, "Programme 2009 Kaercher Industrial", cover, p. 35 and last page (Mar. 2009).

Extract from catalog of Alfred Kaercher GmbH & Co. KG, "Programme 2010 Kaercher Professional", cover, pp. 231-235 and last page (Nov. 2009).

Extract from catalog of Alfred Kaercher GmbH & Co. KG, "Programme 2011 Kaercher Professional", cover, pp. 196, 198, 200 and last page (Nov. 2010).

Extract from catalog of Alfred Kaercher GmbH & Co. KG, "Programme 2012 Kaercher Professional", cover, pp. 204, 206, 208, 210, 212, and last page (Nov. 2011).

* cited by examiner

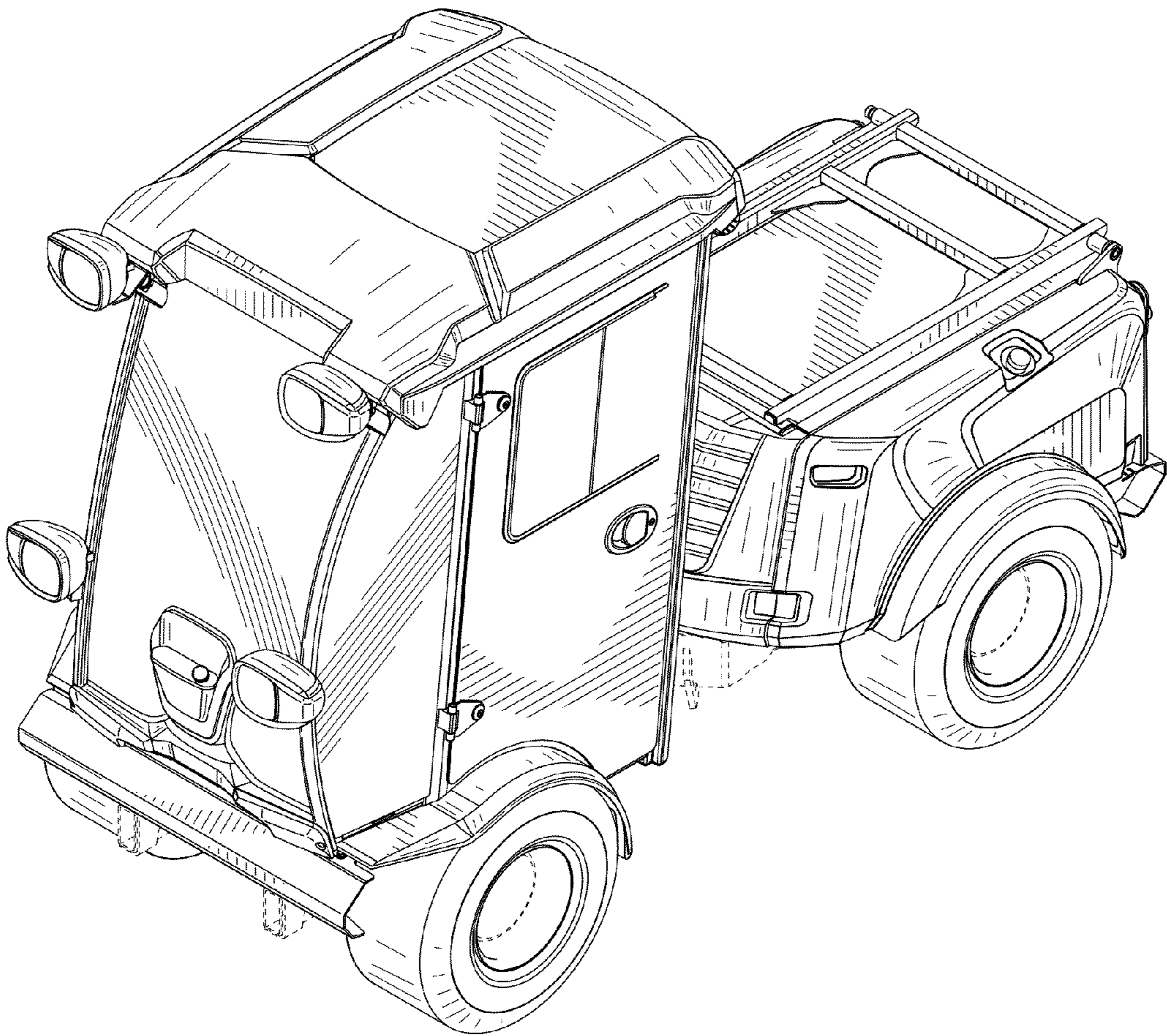


FIG. 1

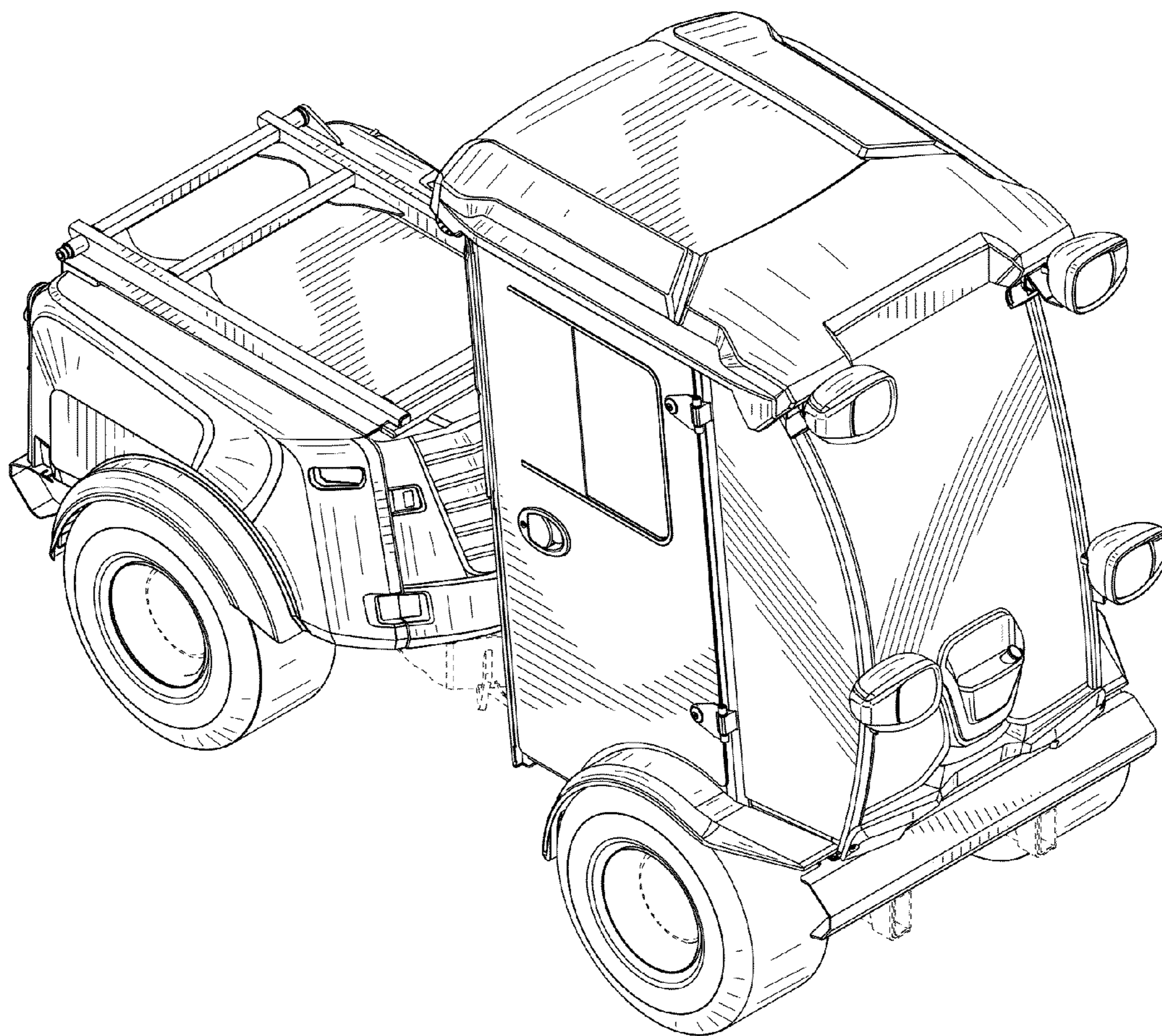


FIG. 2

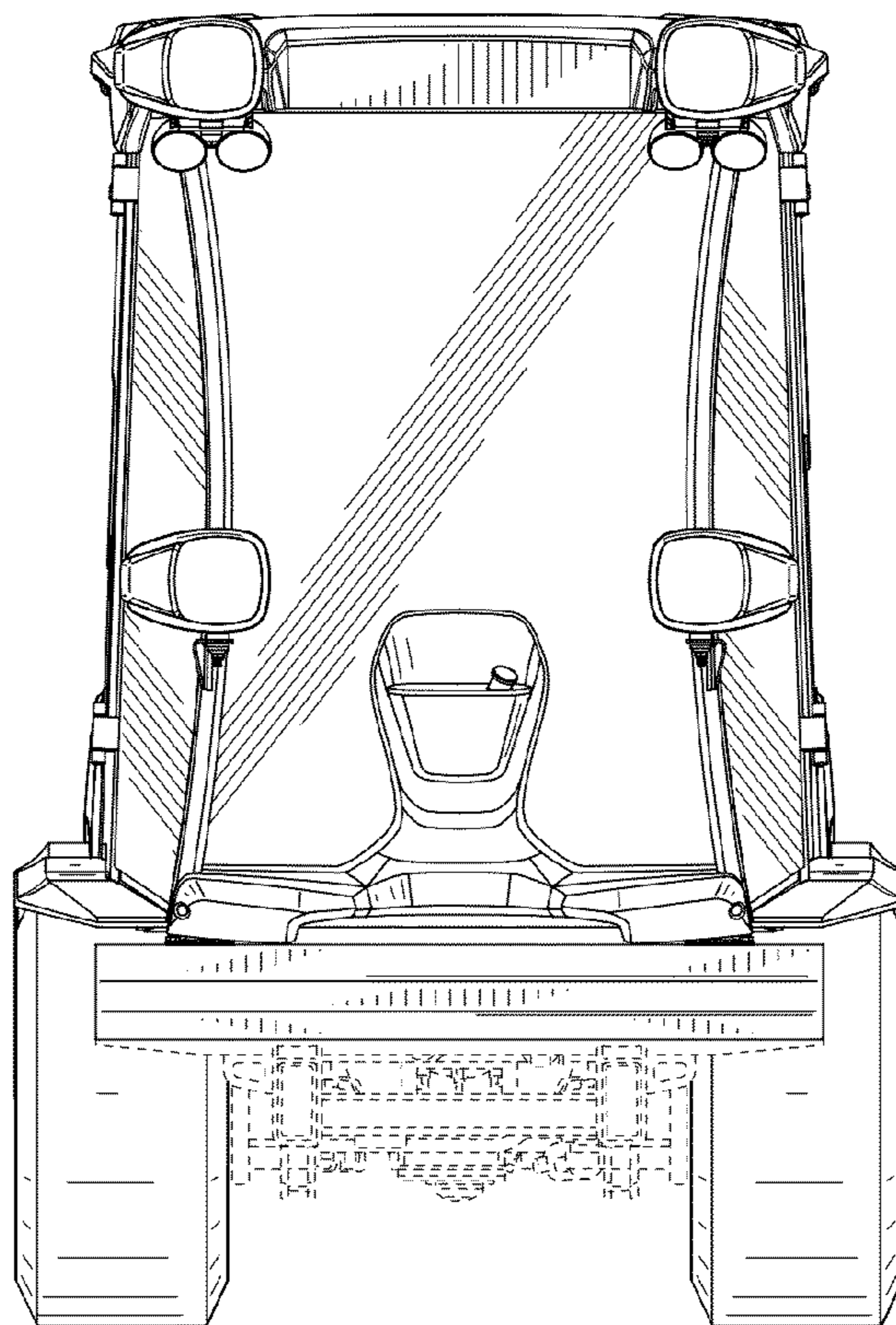


FIG. 3

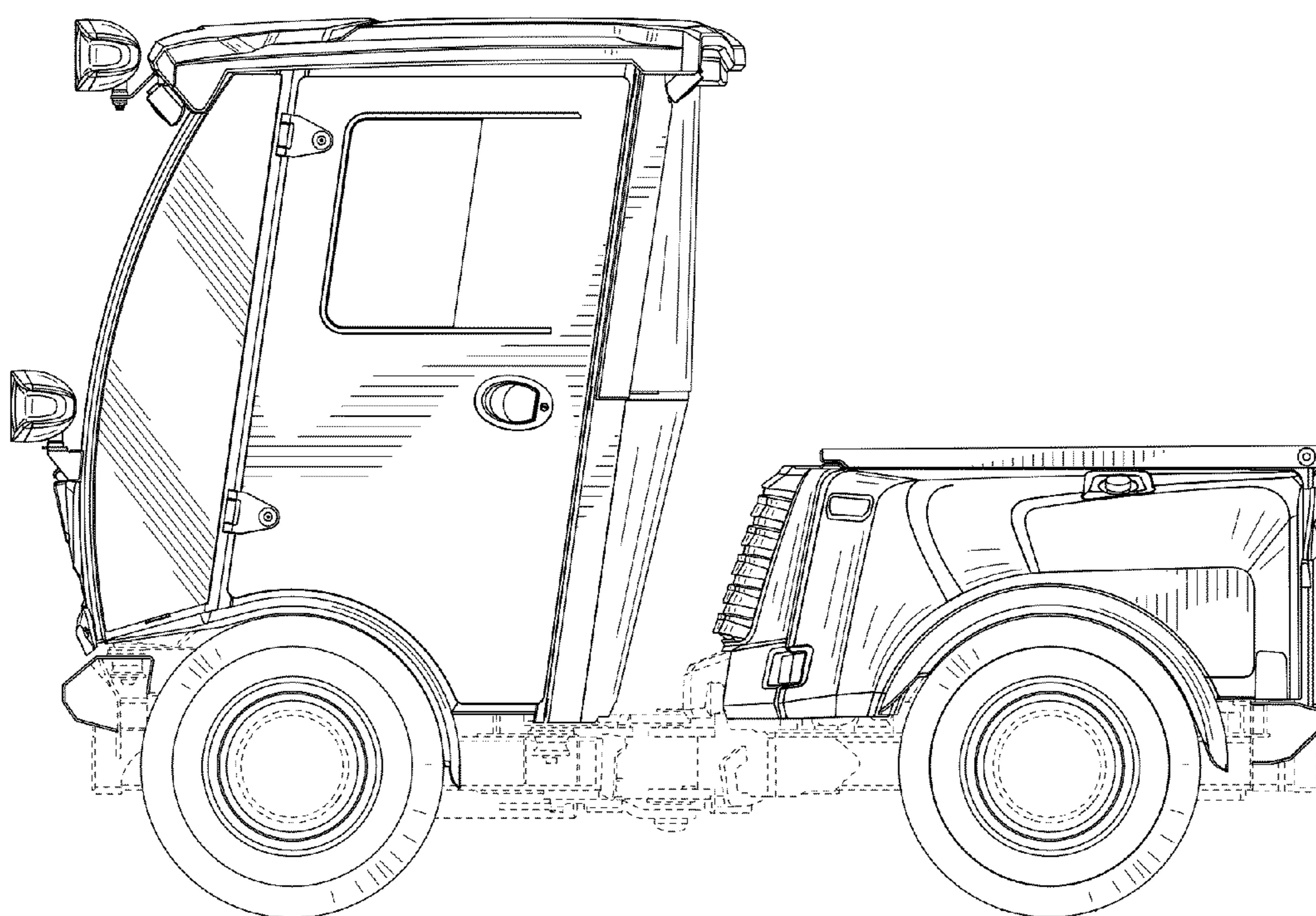


FIG. 4

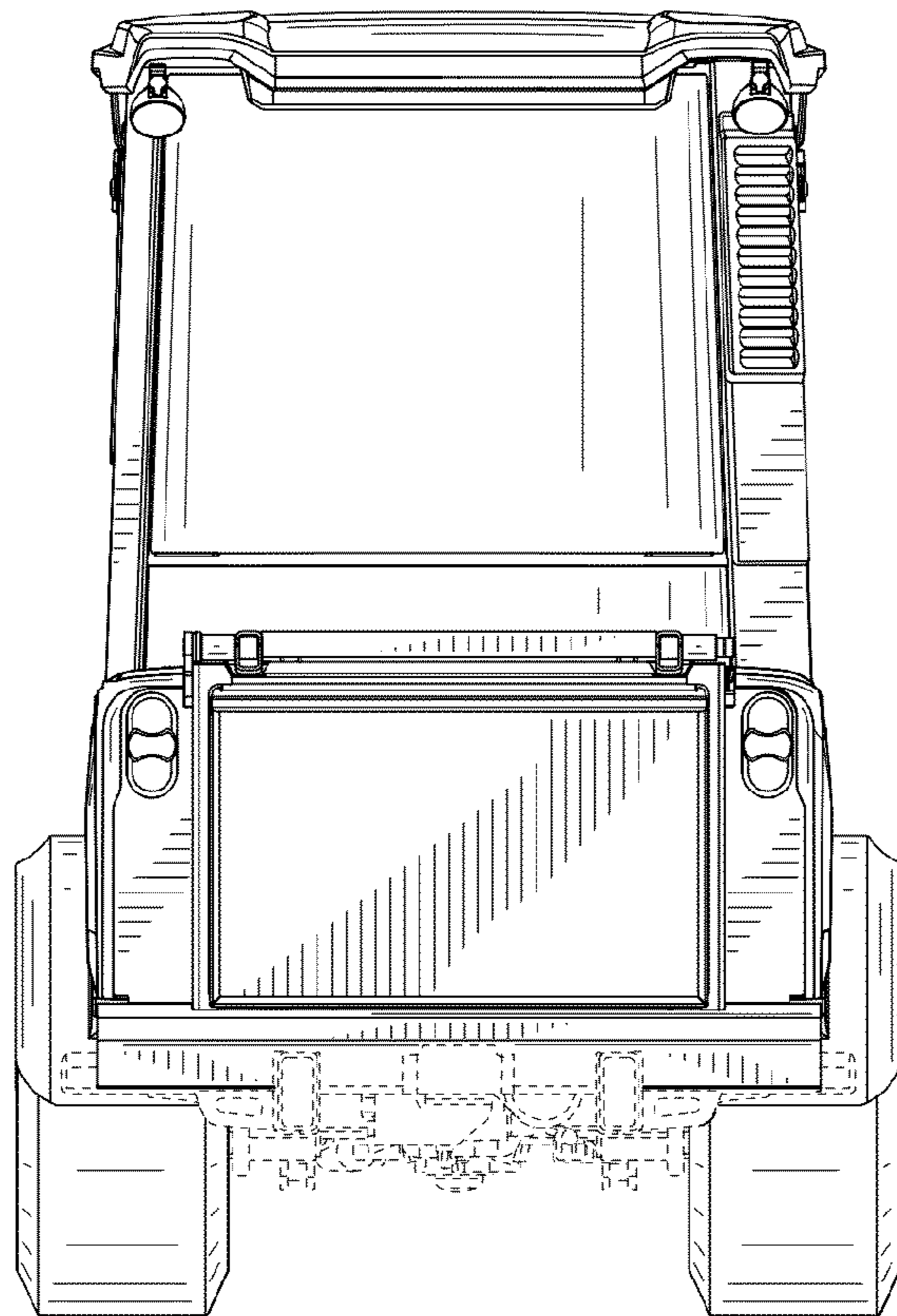


FIG. 5

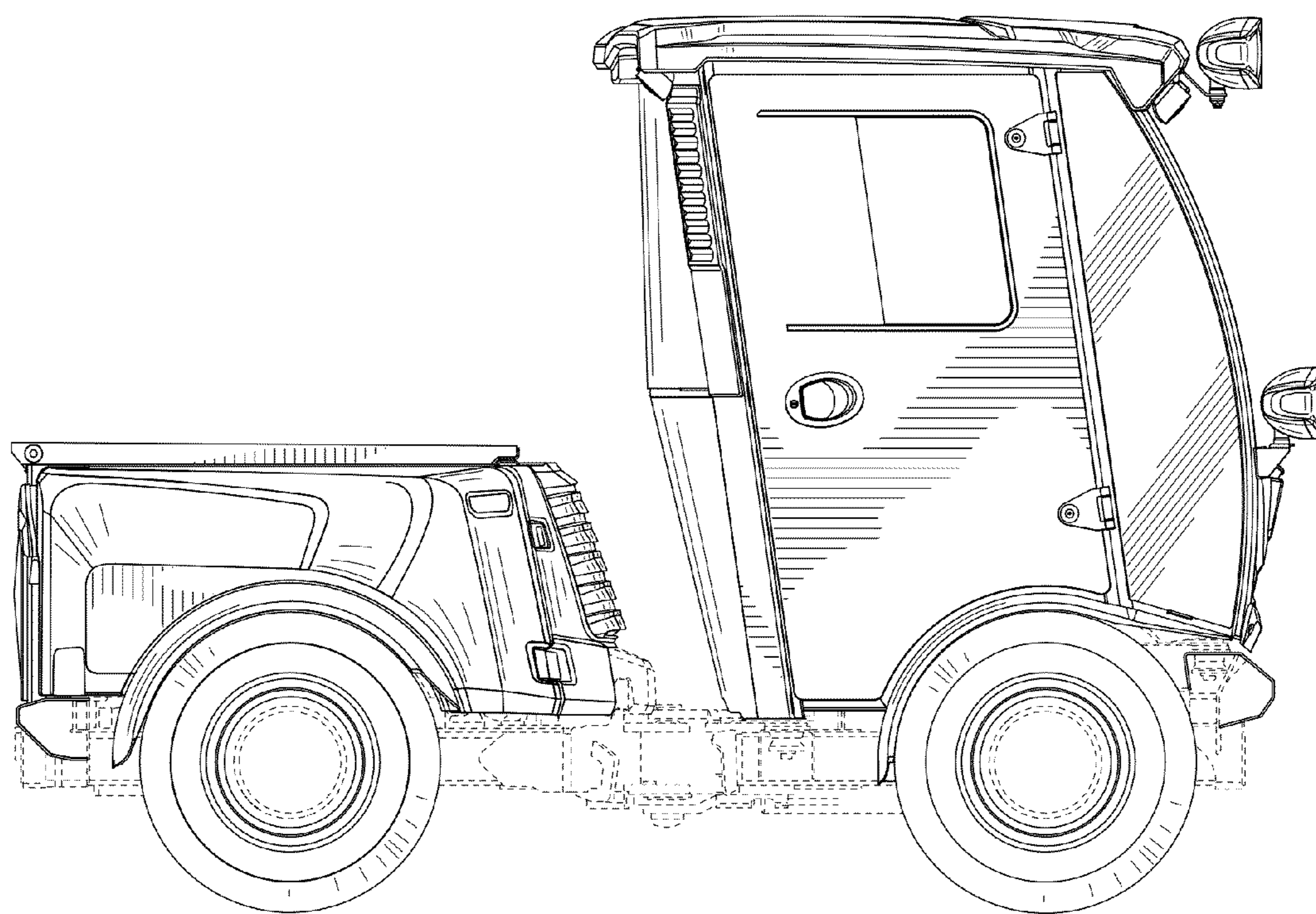


FIG. 6

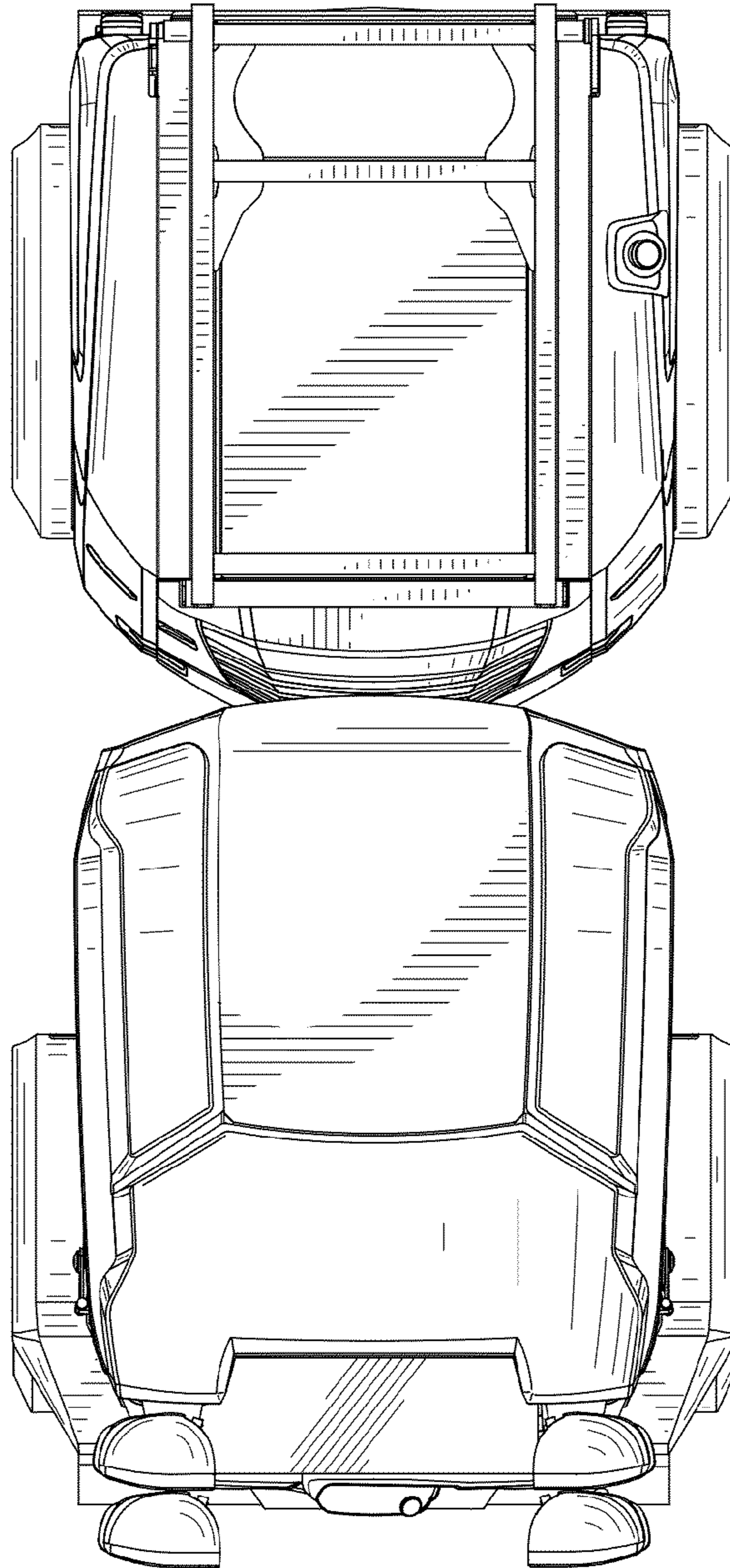


FIG. 7