

US00D737000S

(12) **United States Design Patent**
Aragon

(10) **Patent No.:** **US D737,000 S**

(45) **Date of Patent:** **** Aug. 18, 2015**

(54) **DENTAL DEVICE**

(71) Applicant: **Mary Aragon**, Carlsbad, CA (US)

(72) Inventor: **Mary Aragon**, Carlsbad, CA (US)

(**) Term: **14 Years**

(21) Appl. No.: **29/456,452**

(22) Filed: **May 31, 2013**

(51) **LOC (10) Cl.** **28-03**

(52) **U.S. Cl.**
USPC **D28/68**

(58) **Field of Classification Search**
USPC D28/65-68; D24/152; 433/141,
433/146-147; 132/322-329
CPC A61C 15/04
See application file for complete search history.

D456,566	S *	4/2002	Chodorow	D28/67
D493,577	S *	7/2004	Winkler	D28/68
6,766,808	B2	7/2004	Gwen		
D496,494	S	9/2004	Hood		
D503,496	S *	3/2005	Nanda	D28/68
D508,148	S *	8/2005	Nudo	D28/68
D531,756	S *	11/2006	Yost et al.	D28/68
7,159,596	B2	1/2007	Chen		
D539,479	S *	3/2007	Berry Pitts et al.	D28/68
D617,953	S *	6/2010	Sederquist	D28/66
7,832,415	B2	11/2010	Pitsis		
8,042,556	B2	10/2011	Bowsher		
D665,131	S *	8/2012	Nanda	D28/66
2003/0196677	A1	10/2003	Wiseman		
2005/0247328	A1	11/2005	Shen et al.		
2008/0223398	A1	9/2008	Morgan		
2012/0285478	A1	11/2012	Griffin et al.		

* cited by examiner

Primary Examiner — Zenia Bennett

(74) *Attorney, Agent, or Firm* — Mark Wisnosky

(56) **References Cited**

U.S. PATENT DOCUMENTS

1,916,653	A	7/1933	Bodde		
4,004,599	A	1/1977	Rosenfeld		
4,254,786	A	3/1981	Won		
D268,955	S	5/1983	Givens		
5,105,840	A	4/1992	Giacopuzzi		
D326,000	S	5/1992	Williams		
5,253,662	A	10/1993	Won		
D374,311	S	10/1996	Dolan et al.		
D376,672	S *	12/1996	Topelko	D28/68
D376,673	S *	12/1996	Topelko	D28/68
D380,869	S *	7/1997	Bergman	D28/68
5,860,435	A	1/1999	Hippeasted		
D424,748	S *	5/2000	Dolan et al.	D28/68
6,085,760	A	7/2000	Chodorow		

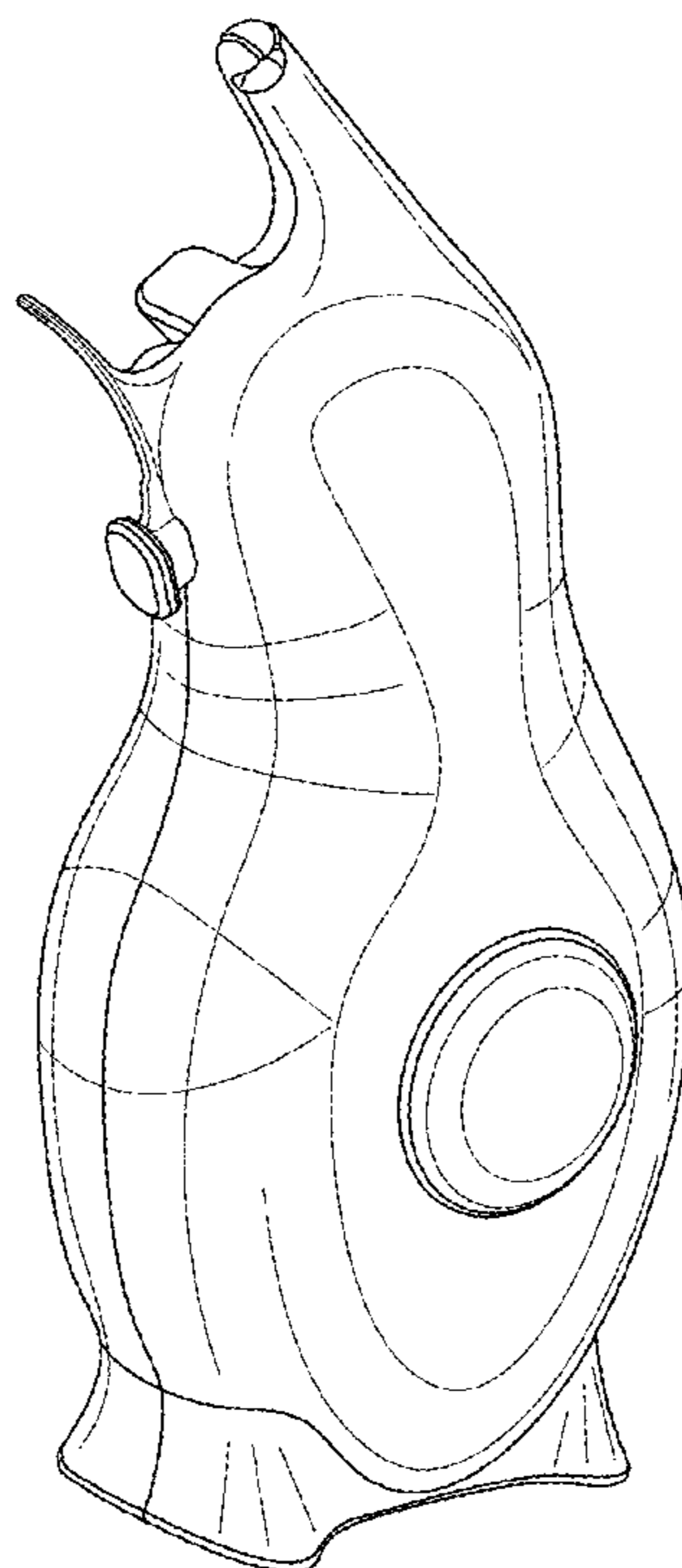
(57) **CLAIM**

The ornamental design for a dental device, as shown and described.

DESCRIPTION

FIG. 1 a front perspective drawing of the dental device. FIG. 2 is a front view of the dental device shown in FIG. 1. FIG. 3 is a back view of the dental device shown in FIG. 1. FIG. 4 is a left side view of the dental device shown in FIG. 1. FIG. 5 is a right side view of the dental device shown in FIG. 1. FIG. 6 is a top view of the dental device shown in FIG. 1; and, FIG. 7 is a bottom view of the dental device of FIG. 1.

1 Claim, 6 Drawing Sheets



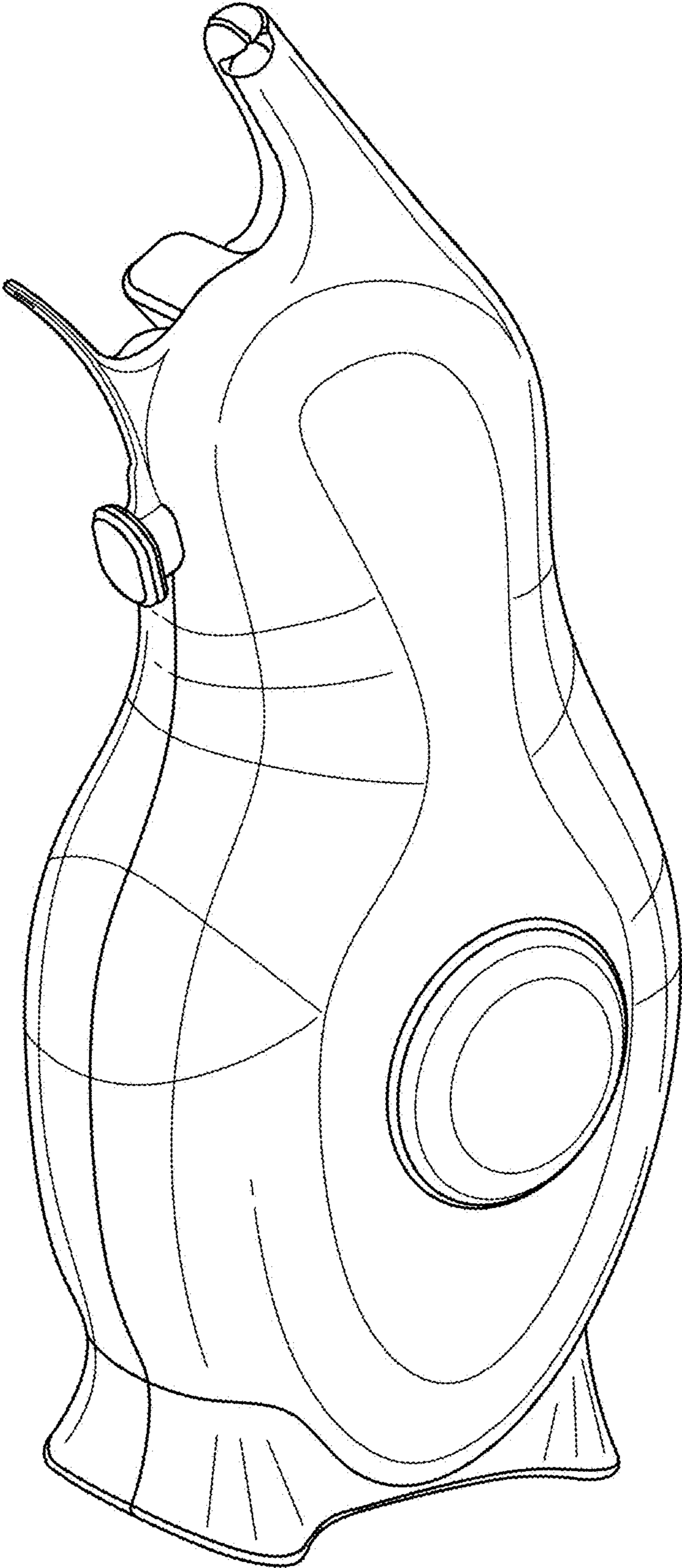


Fig. 1

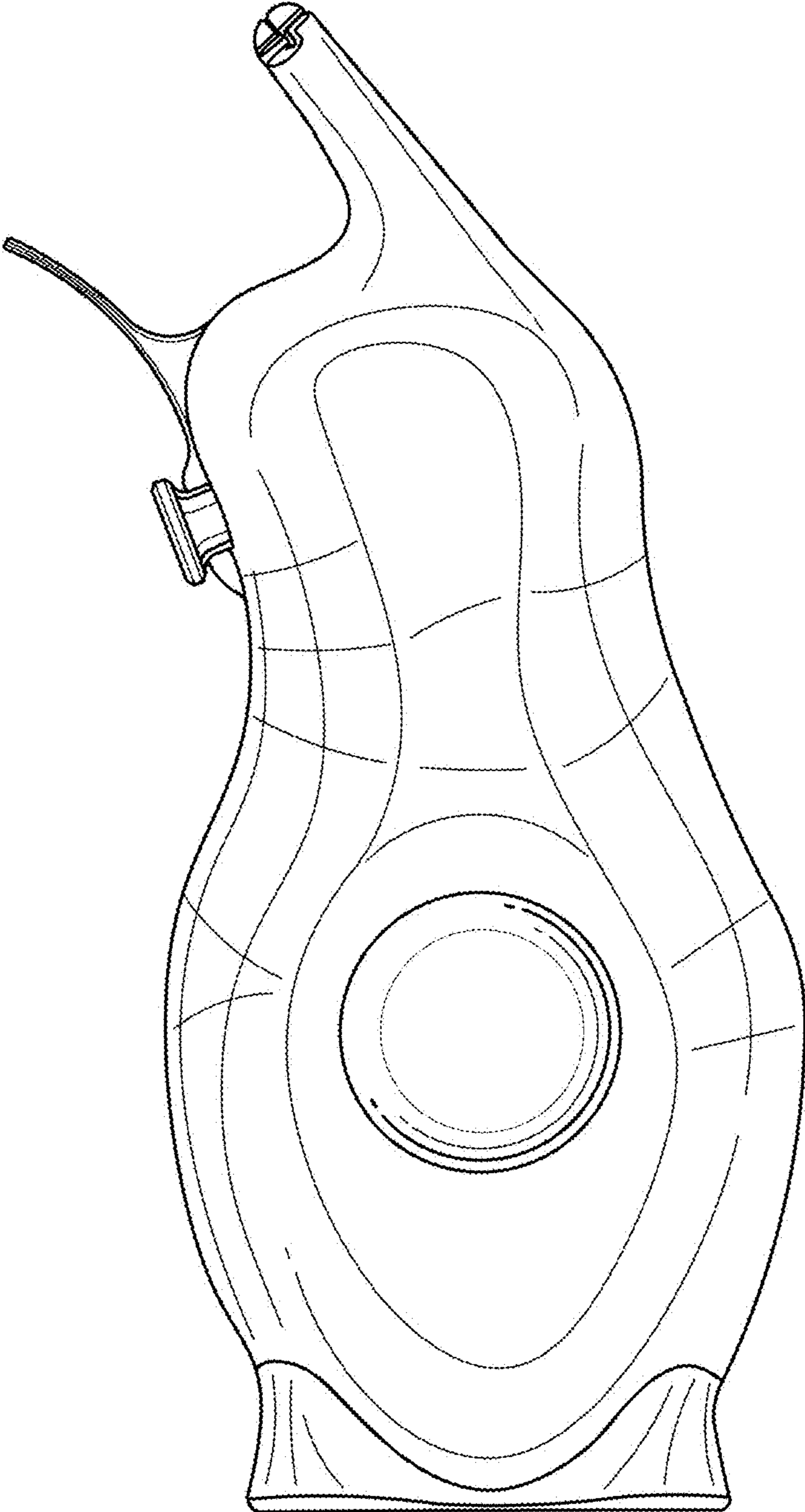


Fig. 2

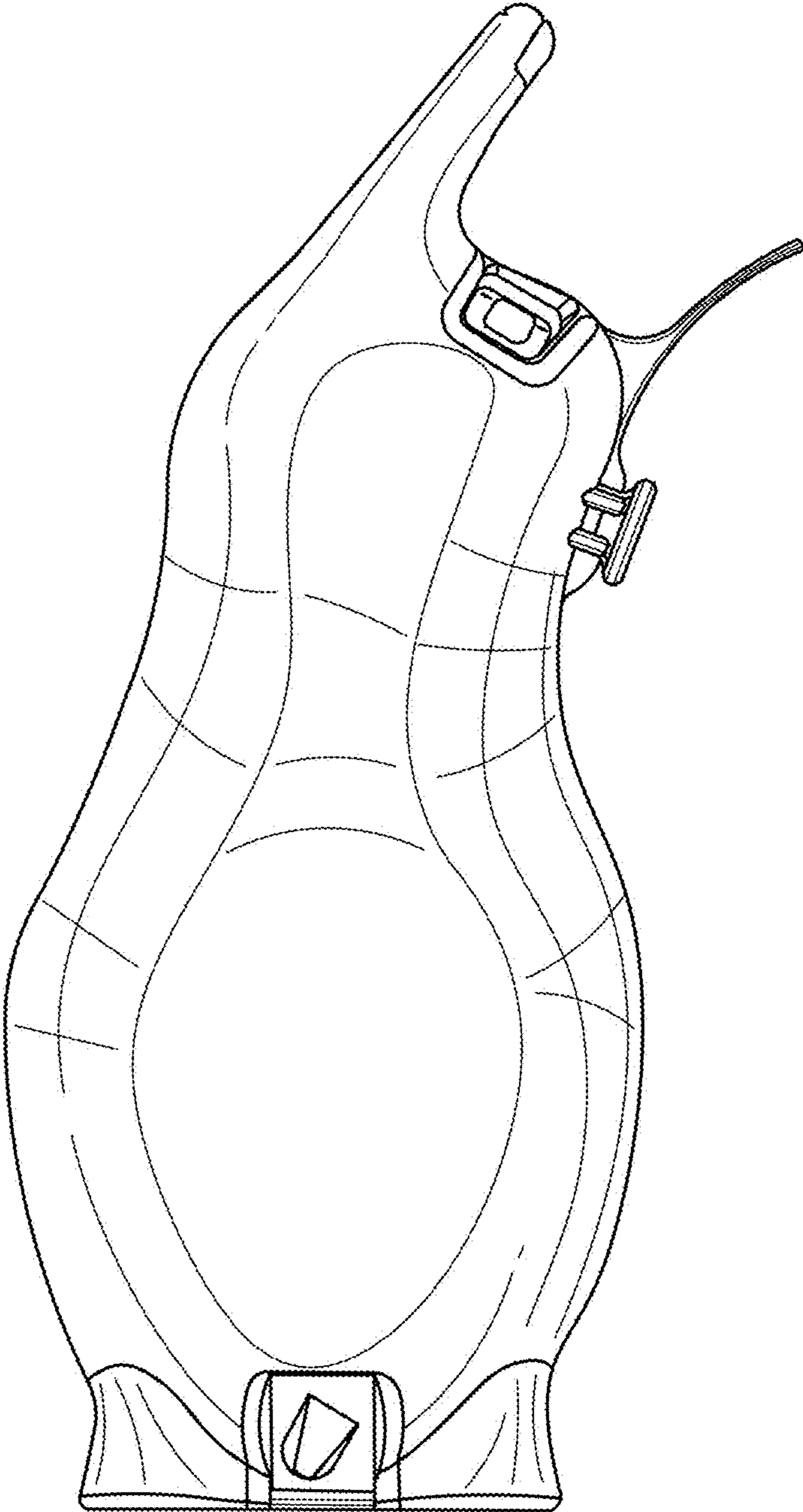


Fig. 3

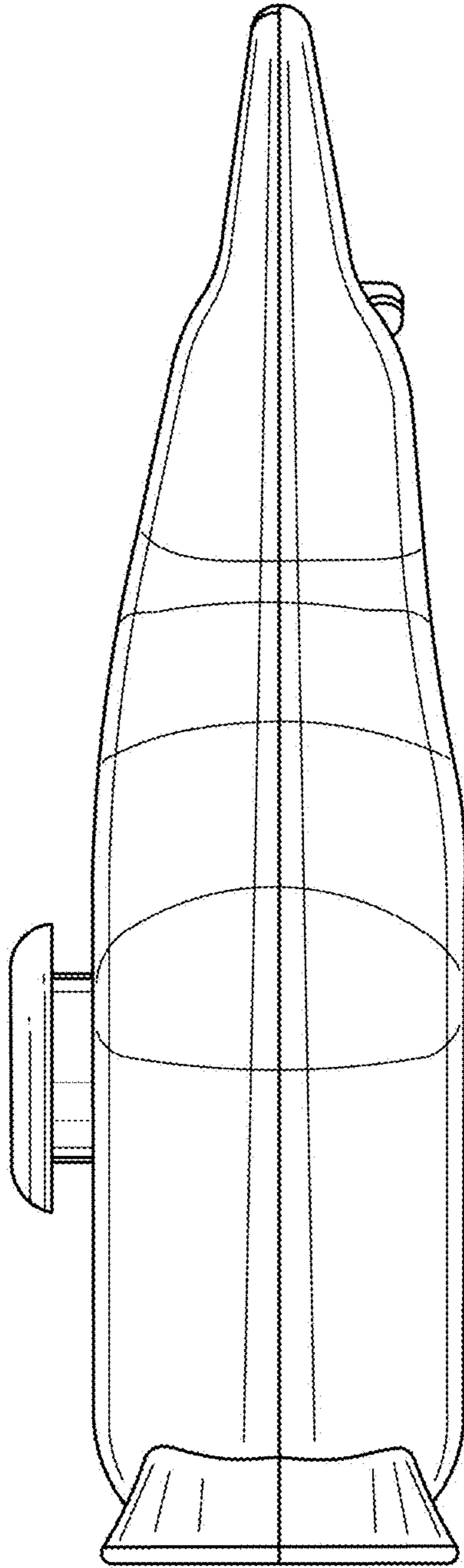


Fig. 4

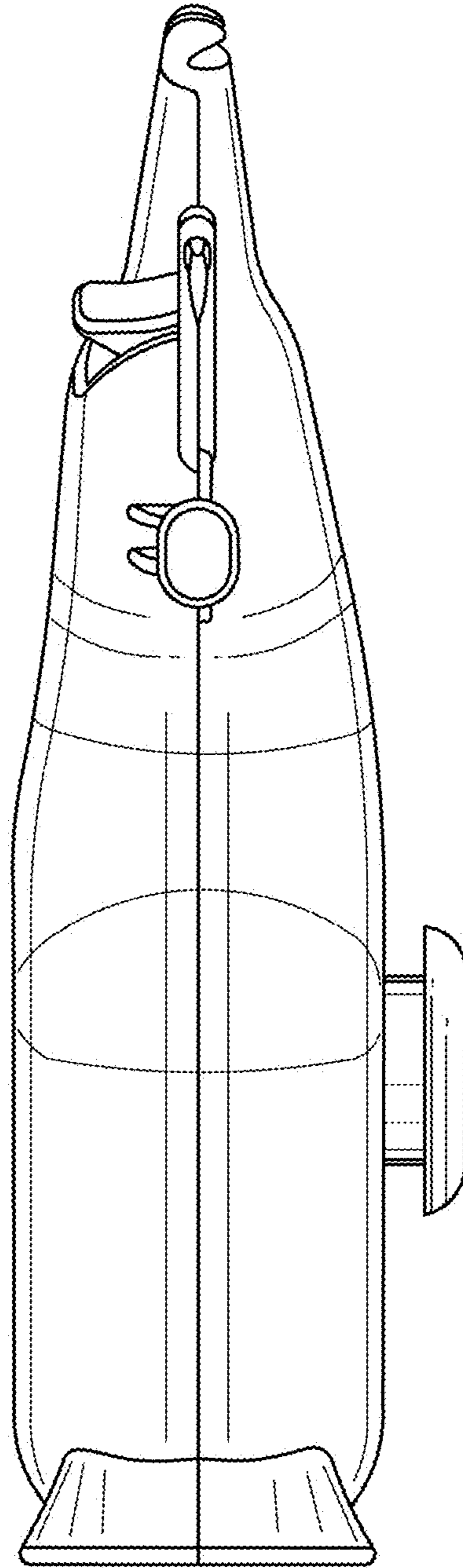


Fig. 5

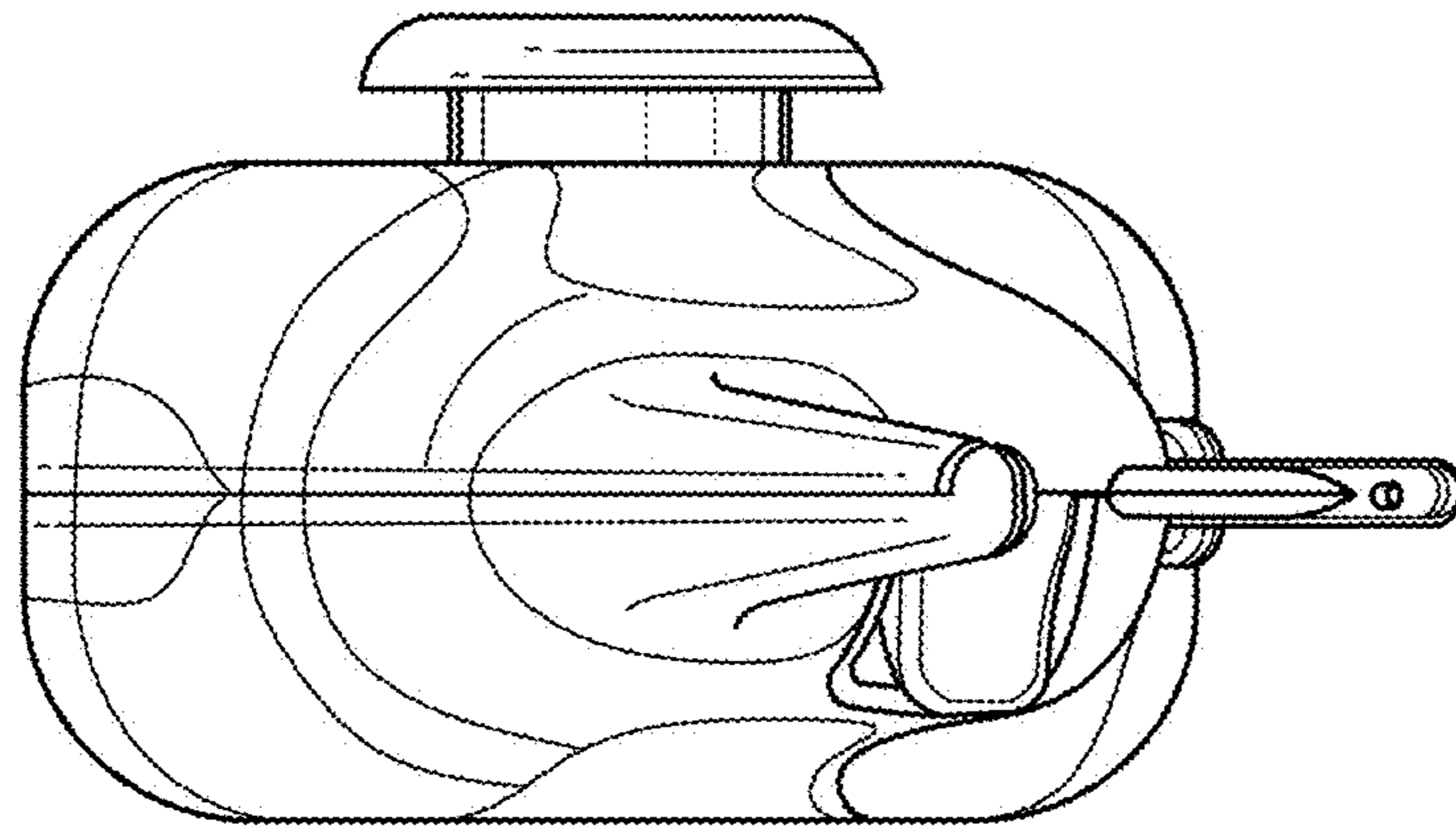


Fig. 6

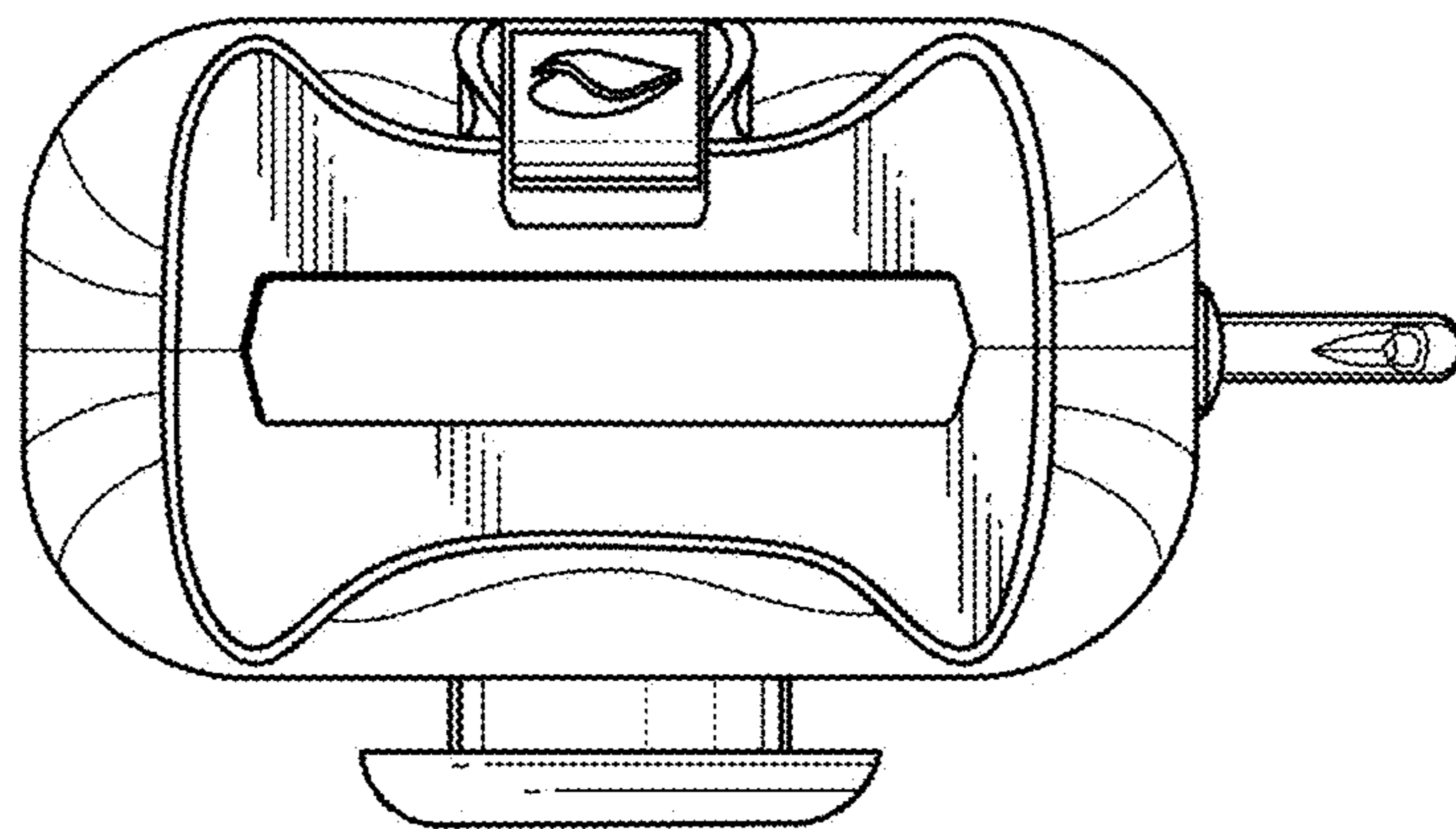


Fig. 7