



US00D736999S

(12) **United States Design Patent**
Yiu

(10) **Patent No.:** **US D736,999 S**

(45) **Date of Patent:** **** Aug. 18, 2015**

- (54) **COSMETIC SANDING DEVICE**
- (71) Applicant: **FORSTAR LIMITED**, Kowloon (HK)
- (72) Inventor: **Wai Wah Yiu**, Kowloon (HK)
- (73) Assignee: **FORSTAR LIMITED**, Kowloon (HK)
- (**) Term: **14 Years**
- (21) Appl. No.: **29/483,626**
- (22) Filed: **Feb. 28, 2014**

5,281,233	A	1/1994	Dolev	
5,377,699	A	1/1995	Varnum	
5,383,273	A	1/1995	Muller et al.	
D409,335	S	5/1999	Slater	
5,976,157	A	11/1999	Yiu	
6,123,713	A	9/2000	Yiu	
6,159,222	A	12/2000	Yiu	
6,162,117	A *	12/2000	Vo	451/358
6,391,034	B1	5/2002	Adamson et al.	
6,436,106	B2	8/2002	Yiu	
6,471,712	B2	10/2002	Burres	
6,523,546	B2	2/2003	Jo et al.	
6,551,262	B1	4/2003	Lechtman	
6,629,983	B1 *	10/2003	Ignon	606/131

(Continued)

(30) **Foreign Application Priority Data**

Feb. 25, 2014 (CN) 2014 3 0034071

(51) **LOC (10) Cl.** **28-03**

(52) **U.S. Cl.**
USPC **D28/58; D28/59**

(58) **Field of Classification Search**
USPC 132/73, 73.5-73.6, 75.3, 75.6, 75.8,
132/76.4-76.5; D28/56-62, 49-54;
30/43.92, 34.1, 26; D24/146, 133, 147;
606/131-134; 607/88; D9/687, 529,
D9/560, 575
CPC A61B 17/54; A45D 44/00; A45D 29/14;
A45D 29/05; A45D 29/00; A45D 29/04;
A45D 29/11; A45D 29/12

See application file for complete search history.

(56) **References Cited**

U.S. PATENT DOCUMENTS

1,482,837	A	2/1924	Buck	
2,056,379	A *	10/1936	Acocella	132/73.6
2,867,214	A	1/1959	Wilson	
2,936,768	A	5/1960	Chamberlain	
3,581,393	A	6/1971	Yager	
4,440,182	A *	4/1984	Holm	132/75.6
4,935,184	A	6/1990	Sorensen	
D318,610	S *	7/1991	Nitta	D9/687
5,033,485	A	7/1991	Hauerwas et al.	

OTHER PUBLICATIONS

Image—Internet google search for text “callus sander”—date range Feb. 2000-Dec. 2010.*

(Continued)

Primary Examiner — Jennifer Rivard
(74) *Attorney, Agent, or Firm* — Foley & Lardner LLP

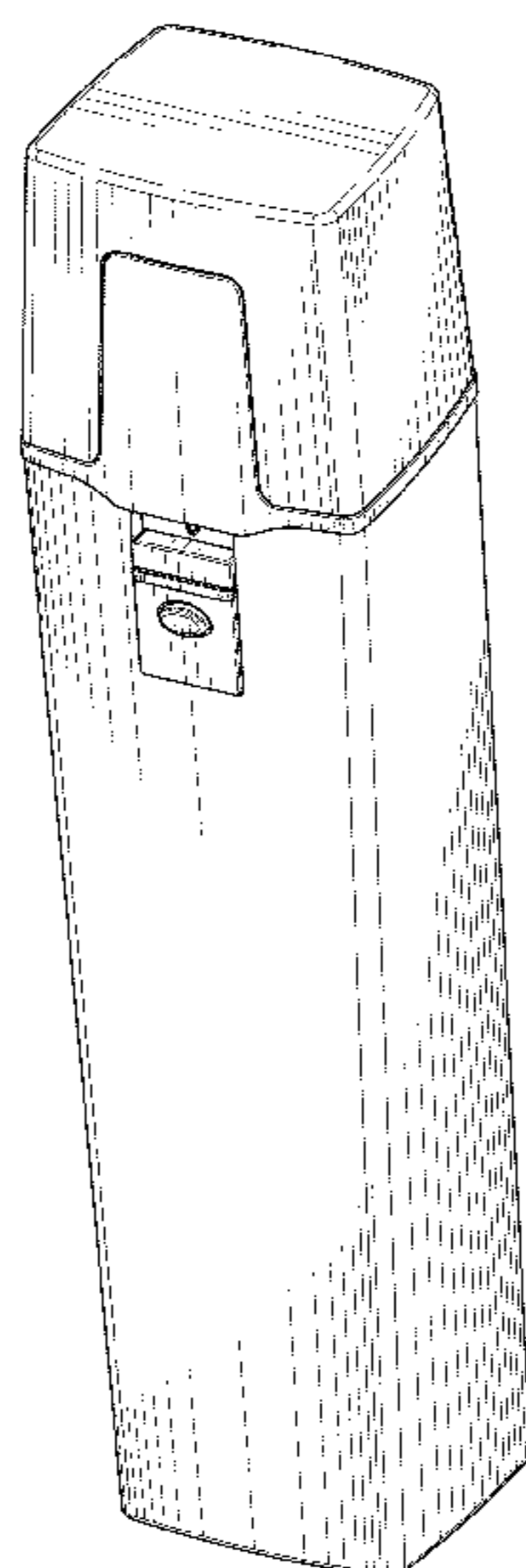
(57) **CLAIM**

I claim the ornamental design for a cosmetic sanding device, as shown and described.

DESCRIPTION

FIG. 1 is a top, right, front perspective view of an embodiment of the cosmetic sanding device;
FIG. 2 is a top, left, rear perspective view thereof;
FIG. 3 is a front elevation view thereof;
FIG. 4 is a rear elevation view thereof;
FIG. 5 is a left elevation view thereof;
FIG. 6 is a right elevation view thereof;
FIG. 7 is a top plan view thereof; and,
FIG. 8 is a bottom plan view thereof.
The broken lines illustrate a portion of the article and form no part of the claimed design.

1 Claim, 5 Drawing Sheets



(56)

References Cited

U.S. PATENT DOCUMENTS

6,824,461 B1 11/2004 Dolev
 6,824,546 B1 11/2004 Yiu
 D499,842 S 12/2004 Yiu
 D509,626 S 9/2005 Yiu
 D556,380 S 11/2007 Long
 D581,596 S 11/2008 Sarway
 D598,165 S 8/2009 Platek
 D600,413 S * 9/2009 Khubani D30/158
 7,581,545 B1 9/2009 Moldawski et al.
 7,597,696 B2 10/2009 Poran
 D611,198 S 3/2010 Platek
 D626,693 S 11/2010 Harbeke
 D628,744 S 12/2010 Goetschi
 D638,166 S 5/2011 Martinez de San Vicente
 D645,204 S 9/2011 Platek
 8,066,013 B2 * 11/2011 Tes et al. 132/73.6
 8,226,662 B2 * 7/2012 Song 606/131
 D676,200 S 2/2013 Yiu
 D678,614 S 3/2013 Yiu
 D681,277 S 4/2013 Yiu
 D686,370 S 7/2013 Yiu
 D692,181 S 10/2013 Yiu

D701,648 S 3/2014 Yiu
 D712,746 S * 9/2014 Widdison D9/529
 2003/0102002 A1 * 6/2003 Cho 132/73.6
 2005/0187563 A1 8/2005 Yiu
 2006/0260629 A1 11/2006 Chern
 2006/0289025 A1 * 12/2006 Nevakshonoff 132/73.6
 2008/0187563 A1 8/2008 Levy
 2009/0182349 A1 7/2009 Poran
 2009/0301507 A1 12/2009 Tes et al.
 2012/0226289 A1 9/2012 Yiu

OTHER PUBLICATIONS

Image—Internet google search for text “acrylic nail shaper” date range Feb. 2000-Dec. 2010.*
 U.S. Appl. No. 29/433,639, filed Oct. 2, 2012, Forstar Limited.
 U.S. Appl. No. 29/435,131, filed Oct. 19, 2012, Soft Lines International, Inc.
 U.S. Appl. No. 29/456,966, filed Jun. 5, 2013, Soft Lines International, Ltd.
 U.S. Appl. No. 29/459,570, filed Jul. 1, 2013, Soft Lines International, Ltd.
 U.S. Appl. No. 29/468,166, filed Sep. 26, 2013, Soft Lines International, Ltd.

* cited by examiner

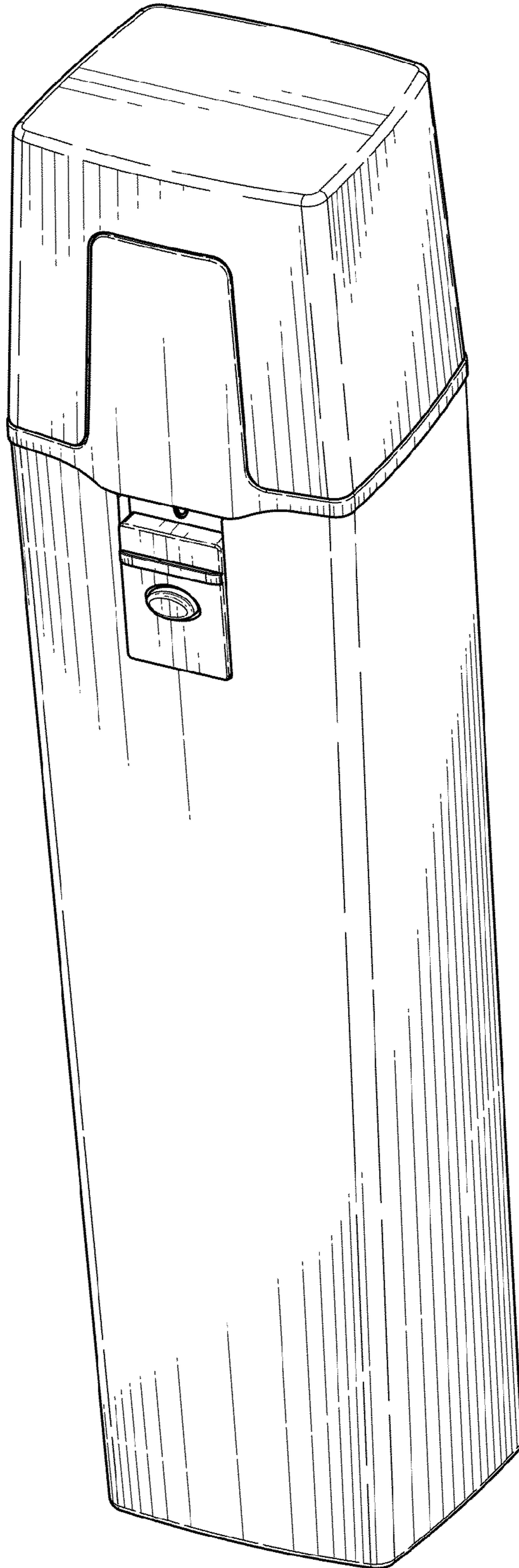


FIG. 1

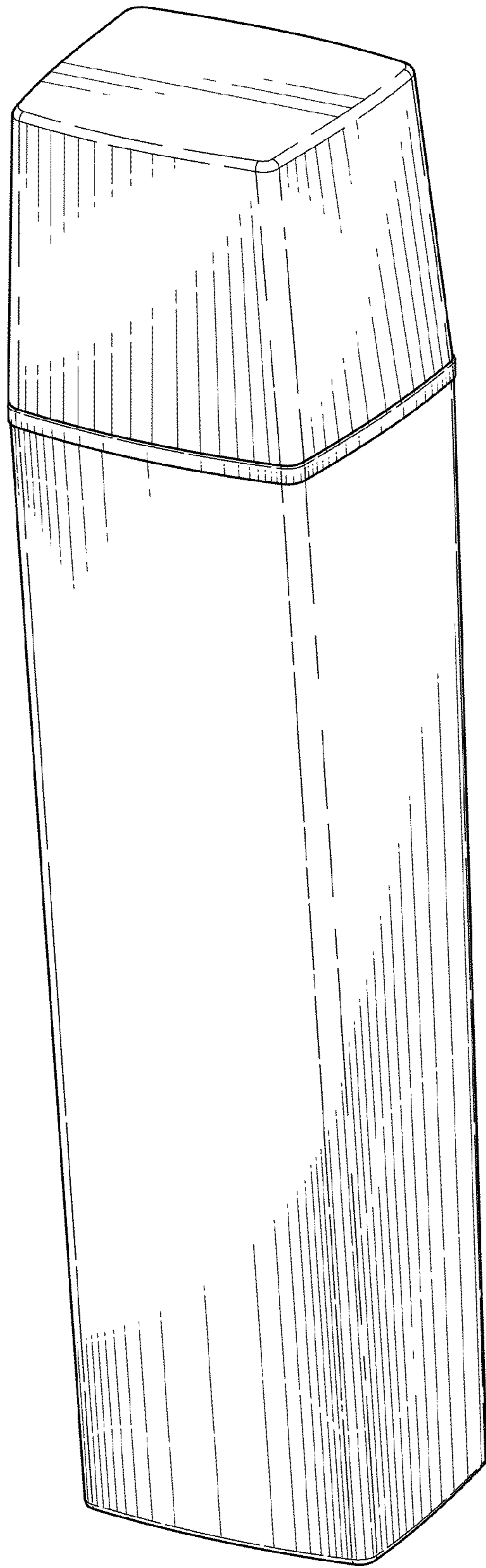


FIG. 2



FIG. 3



FIG. 4

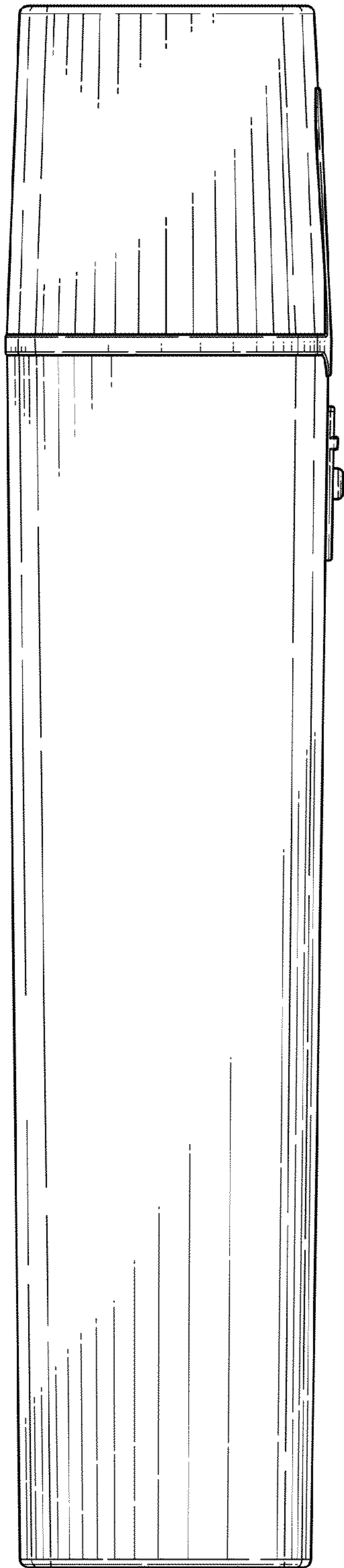


FIG. 5

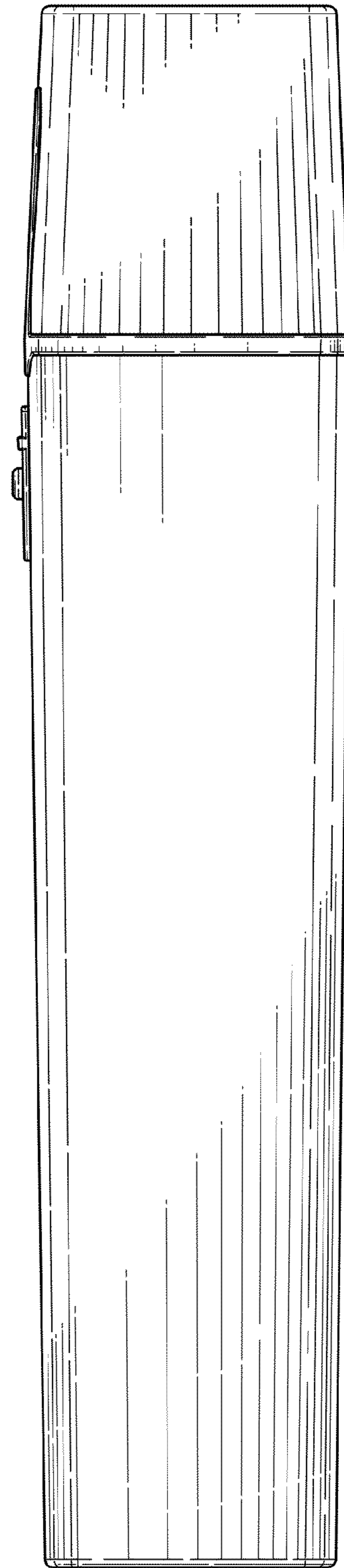


FIG. 6

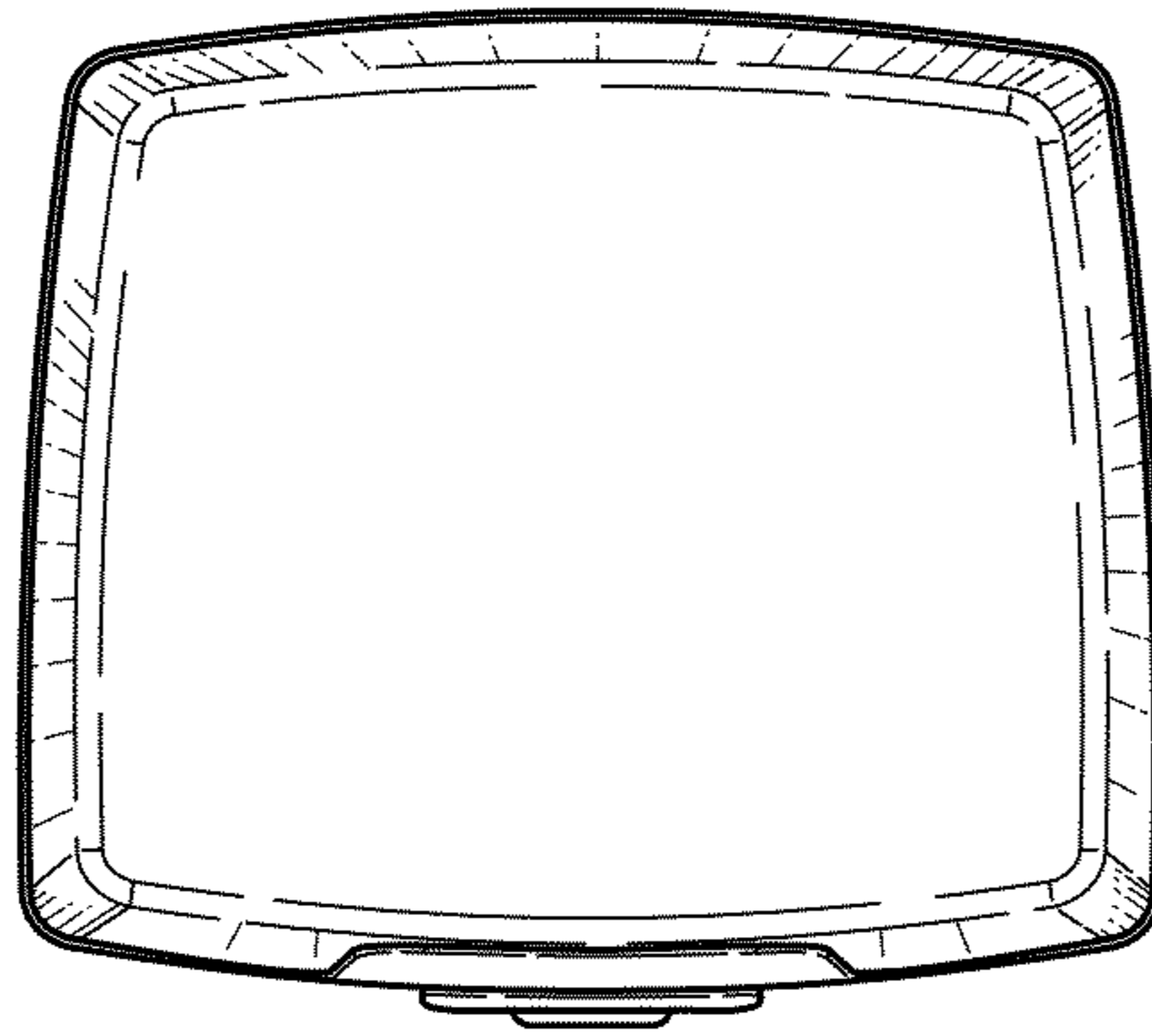


FIG. 7

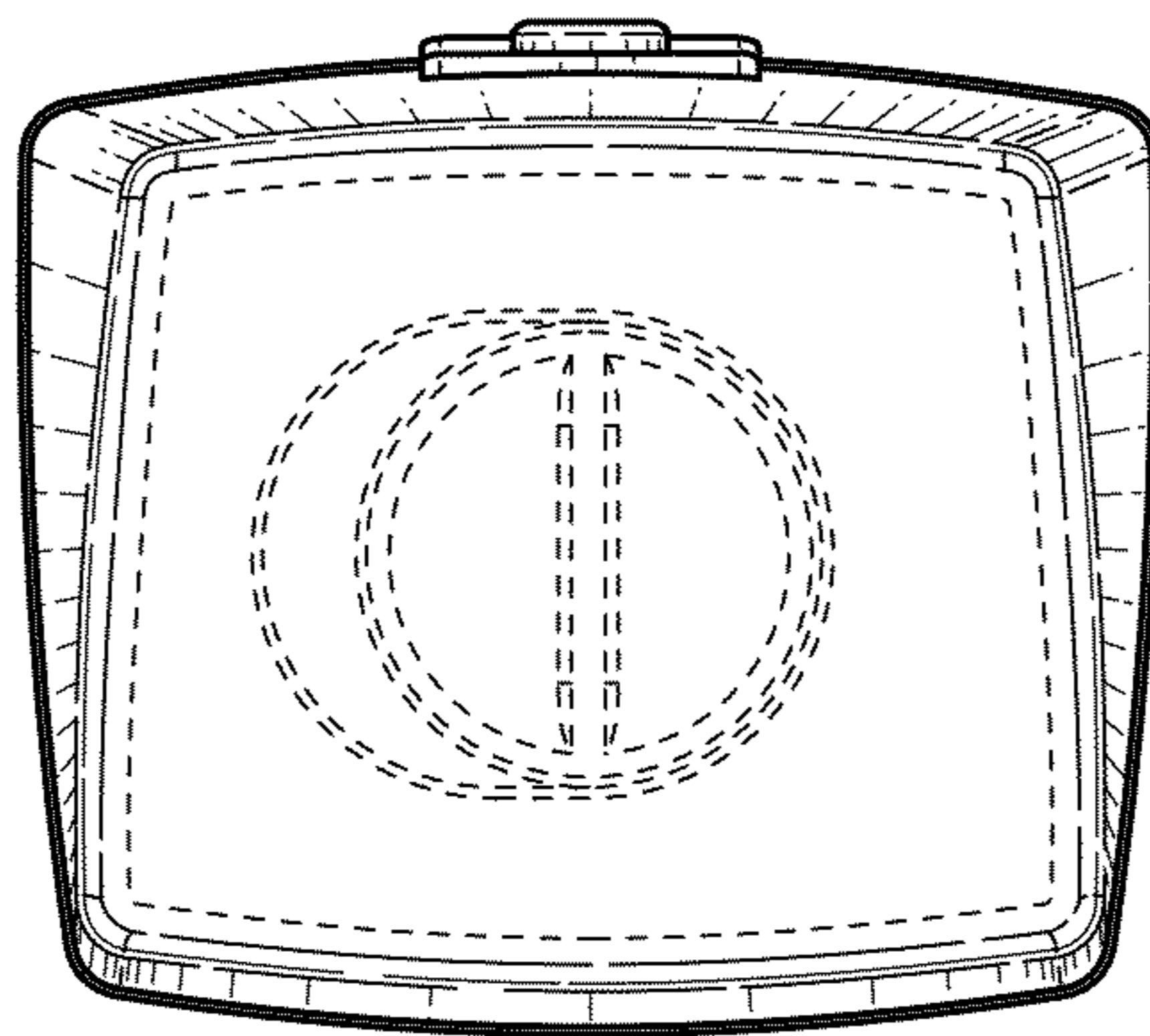


FIG. 8