

US00D736997S

(12) **United States Design Patent**
Liu

(10) **Patent No.:** **US D736,997 S**
(45) **Date of Patent:** **** Aug. 18, 2015**

(54) **ELECTRONIC CIGARETTE CASE**

(71) Applicant: **Qiuming Liu**, Guangdong (CN)

(72) Inventor: **Qiuming Liu**, Guangdong (CN)

(73) Assignee: **KIMREE HI-TECH INC**, Road Town, Tortola (VG)

(**) Term: **14 Years**

(21) Appl. No.: **29/471,798**

(22) Filed: **Nov. 5, 2013**

(30) **Foreign Application Priority Data**

Oct. 12, 2013 (CN) 2013 3 0481646

(51) **LOC (10) Cl.** **27-06**

(52) **U.S. Cl.**
USPC **D27/189**

(58) **Field of Classification Search**

USPC D27/129, 144, 172, 174, 175, 183, 186,
D27/187, 189-191, 193, 194; D9/420, 423,
D9/504, 529, 545, 686, 688; D13/108;
206/242, 249, 250, 256, 259, 261, 264,
206/265, 267, 268; D3/273, 294;
131/270-273, 329-330, 347
CPC A24F 13/14; A24F 9/16; A24F 15/00;
A24F 15/12; A24F 15/14; A24F 15/18;
A24F 15/005; A24F 15/20; A24F 23/00;
A24F 23/04
See application file for complete search history.

(56) **References Cited**

U.S. PATENT DOCUMENTS

D53,386 S * 5/1919 Thomas D27/189
D279,508 S * 7/1985 Bauer et al. D6/515
D322,687 S * 12/1991 Tschudin D27/189
D346,878 S * 5/1994 Gee et al. D27/194
D392,069 S * 3/1998 Rowland D27/183

D436,725 S * 1/2001 Rogers D3/265
D449,521 S * 10/2001 Pinkus et al. D9/424
6,530,495 B1 * 3/2003 Joseph 220/553
D566,329 S * 4/2008 Bagaric et al. D27/189
D595,453 S * 6/2009 Parsons et al. D27/189
D665,734 S * 8/2012 Fitch et al. D13/107
D690,461 S * 9/2013 Chen D27/187
D700,397 S * 2/2014 Manca et al. D27/189
D720,884 S * 1/2015 Liu D27/189
D723,734 S * 3/2015 Liu D27/189
D723,735 S * 3/2015 Liu D27/189

(Continued)

Primary Examiner — Susan Bennett Hattan

Assistant Examiner — Janice Hallmark

(74) *Attorney, Agent, or Firm* — Locke Lord LLP; Tim Tingkang Xia, Esq.

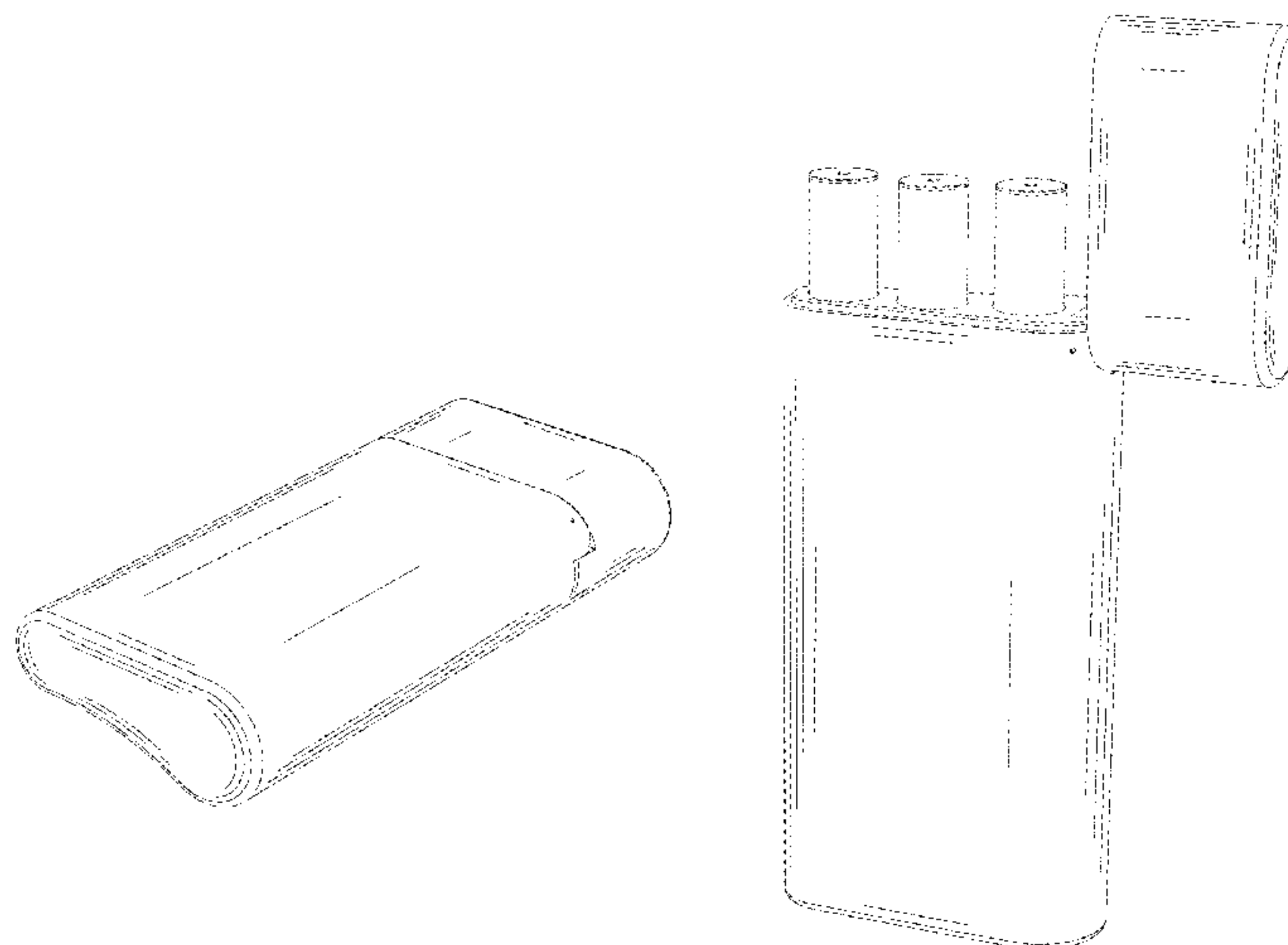
(57) **CLAIM**

The ornamental design for an electronic cigarette case, as shown and described.

DESCRIPTION

FIG. 1 is a front elevational view of an electronic cigarette case;
FIG. 2 is a rear elevational view of the electronic cigarette case;
FIG. 3 is a top plan view of the electronic cigarette case;
FIG. 4 is a bottom plan view of the electronic cigarette case;
FIG. 5 is a left side elevational view of the electronic cigarette case;
FIG. 6 is a right side elevational view of the electronic cigarette case;
FIG. 7 is a first perspective view of the electronic cigarette case;
FIG. 8 is a second perspective view of the electronic cigarette case; and,
FIG. 9 is a third perspective view of the electronic cigarette case shown in an open state of use.
The broken lines in the drawings depict environment that forms no part of the claimed design.

1 Claim, 7 Drawing Sheets



US D736,997 S

Page 2

(56)

References Cited

U.S. PATENT DOCUMENTS

D723,737 S *	3/2015	Liu	D27/189
D723,738 S *	3/2015	Liu	D27/189
2008/0099353 A1 *	5/2008	Parsons et al.	206/266

D723,736 S * 3/2015 Liu D27/189 * cited by examiner

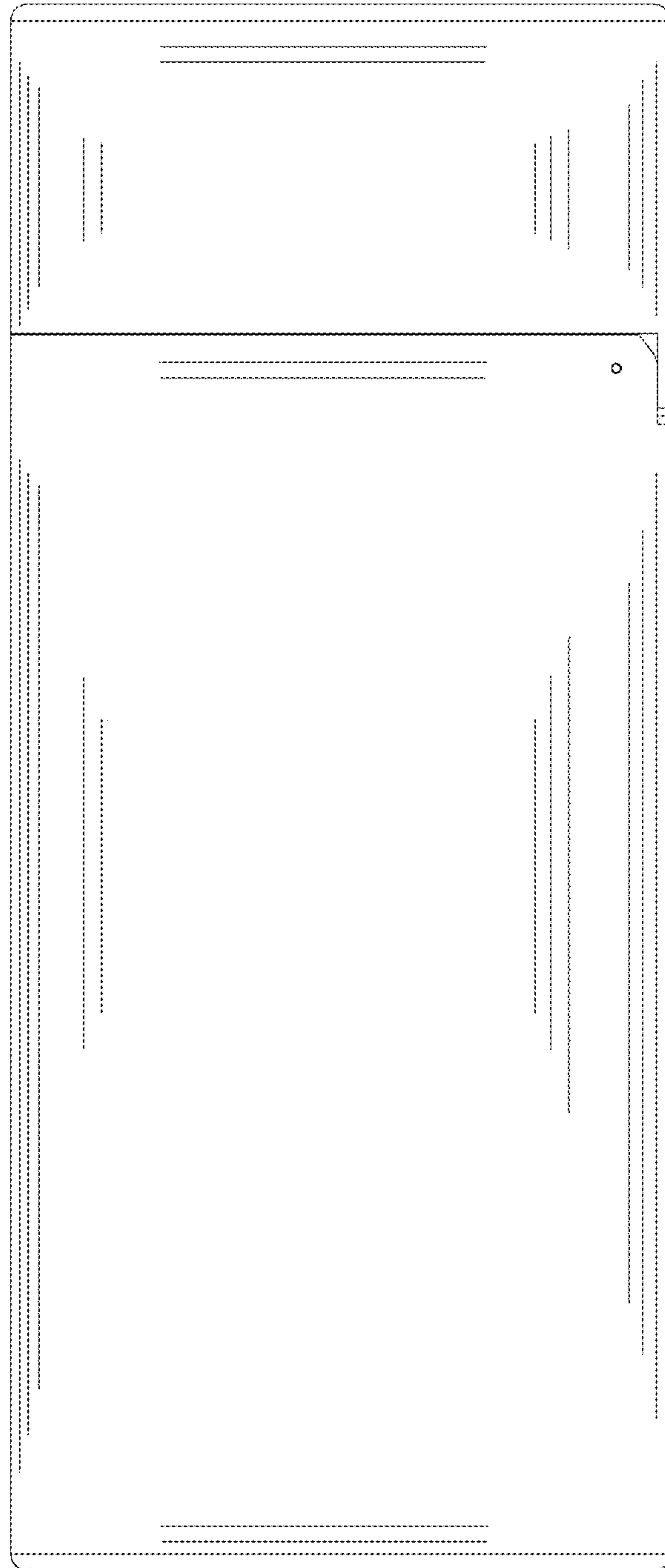


Fig. 1

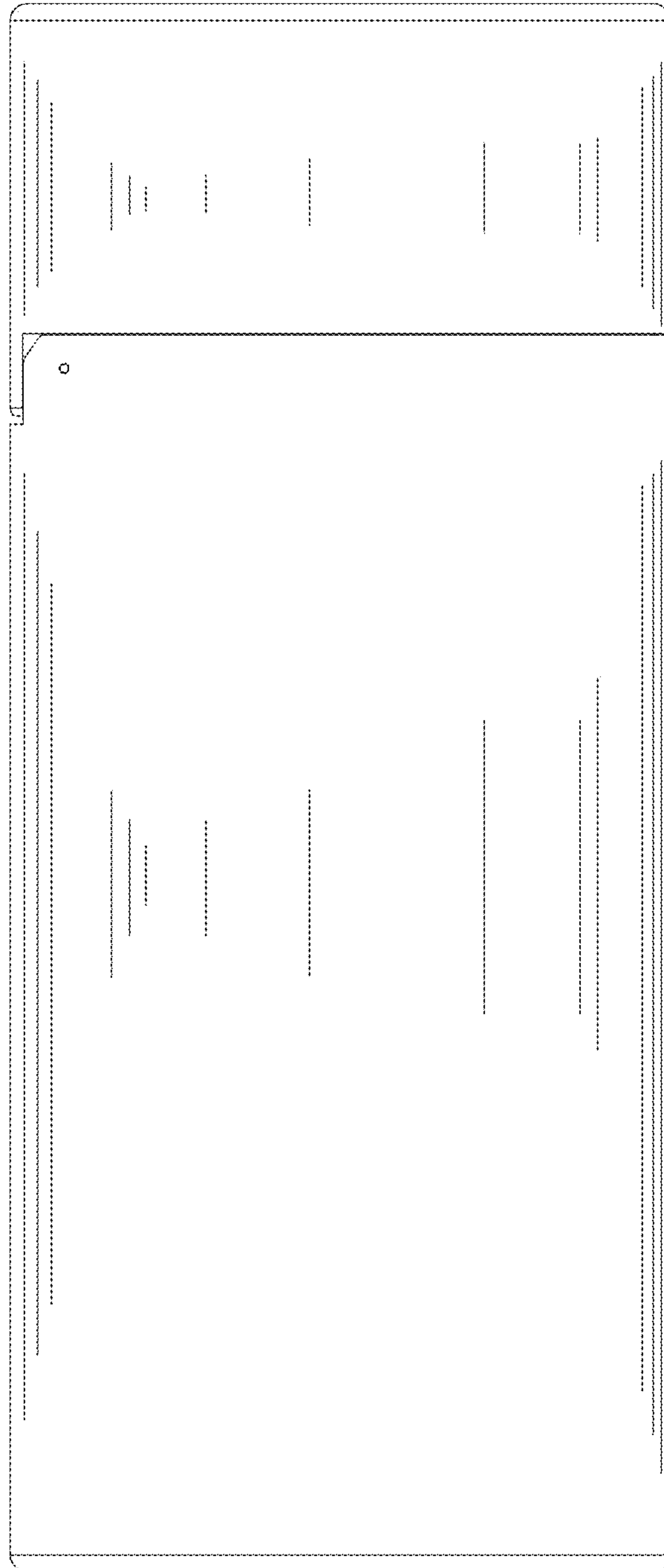


Fig. 2

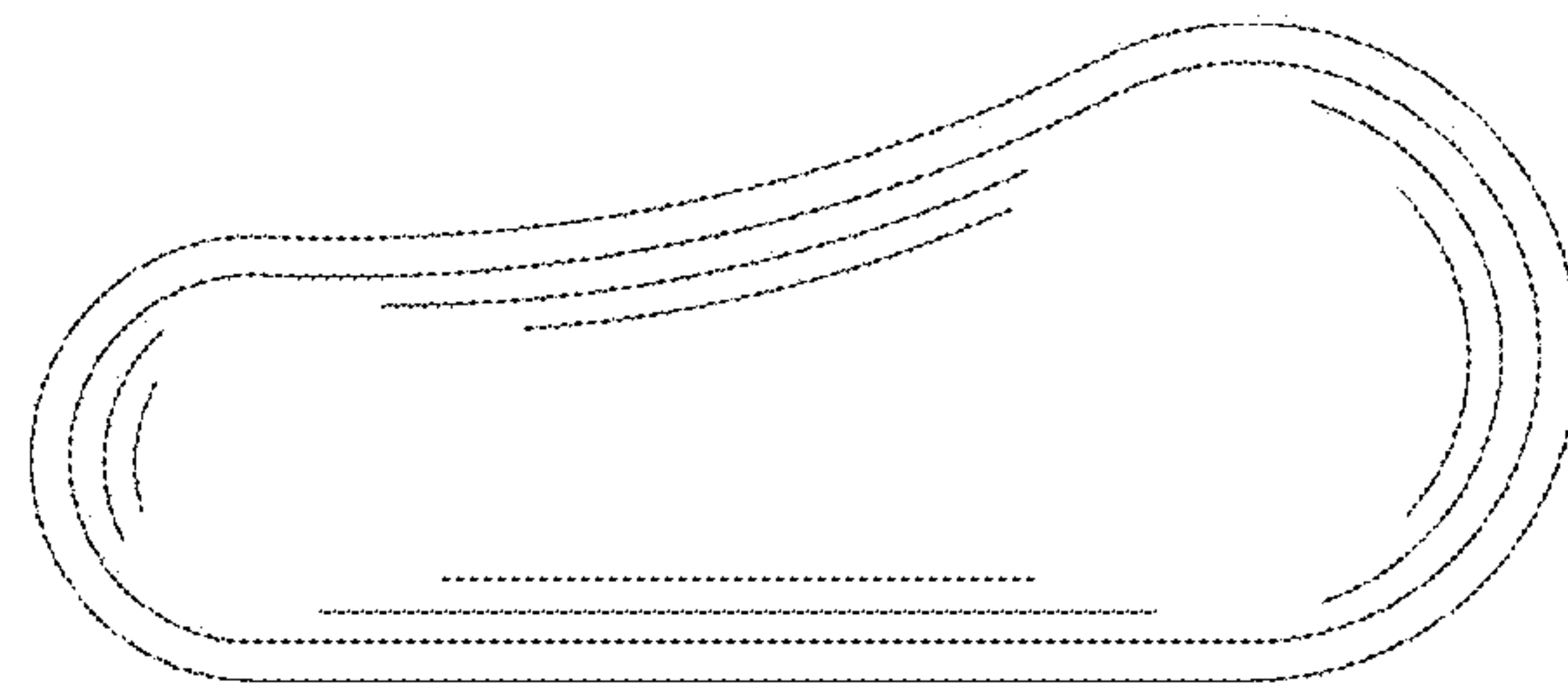


Fig. 3

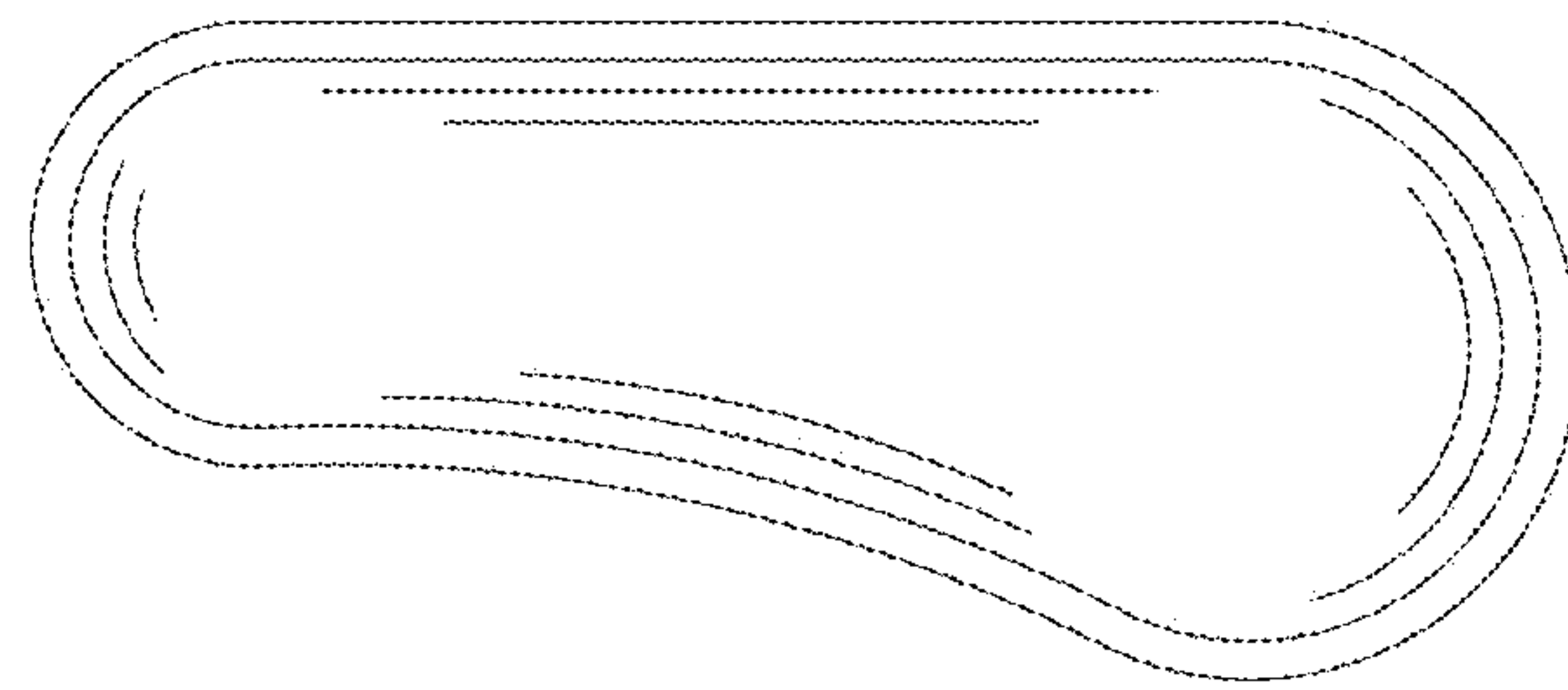


Fig. 4

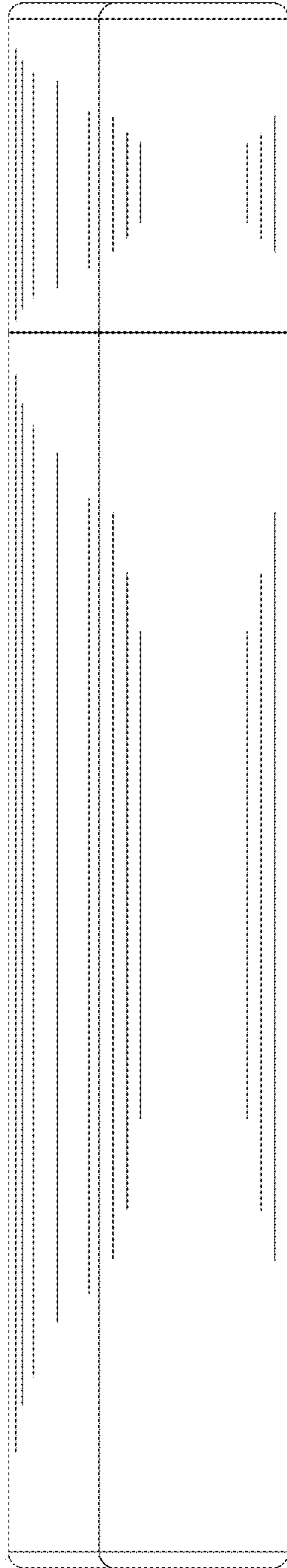


Fig. 5

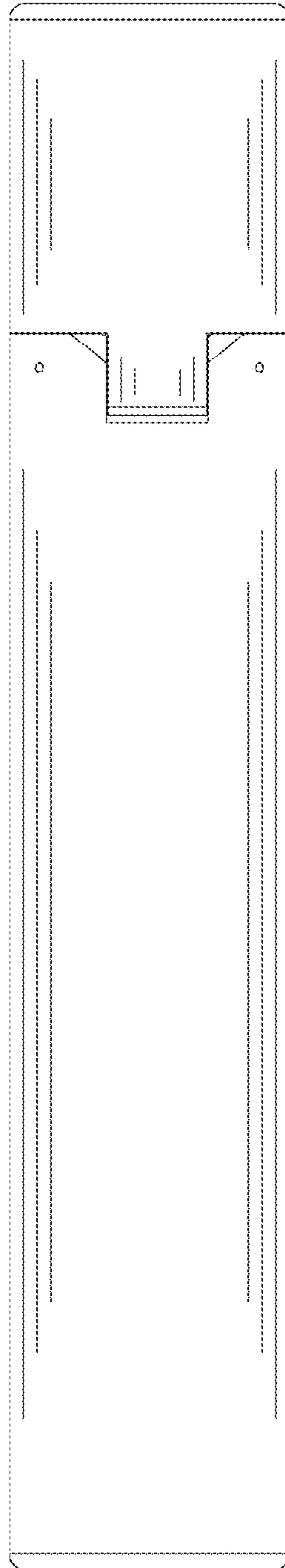


Fig. 6

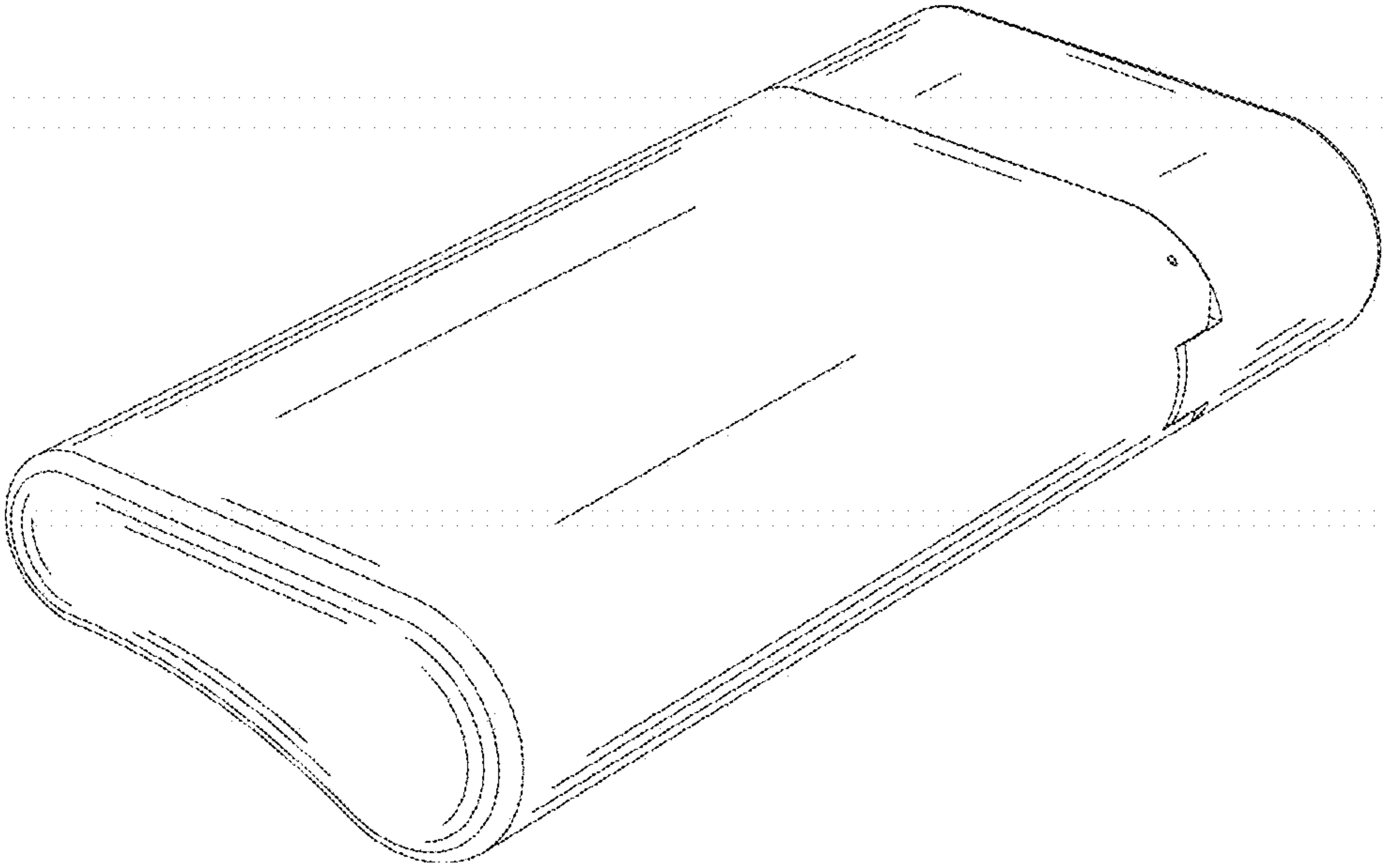


Fig. 7

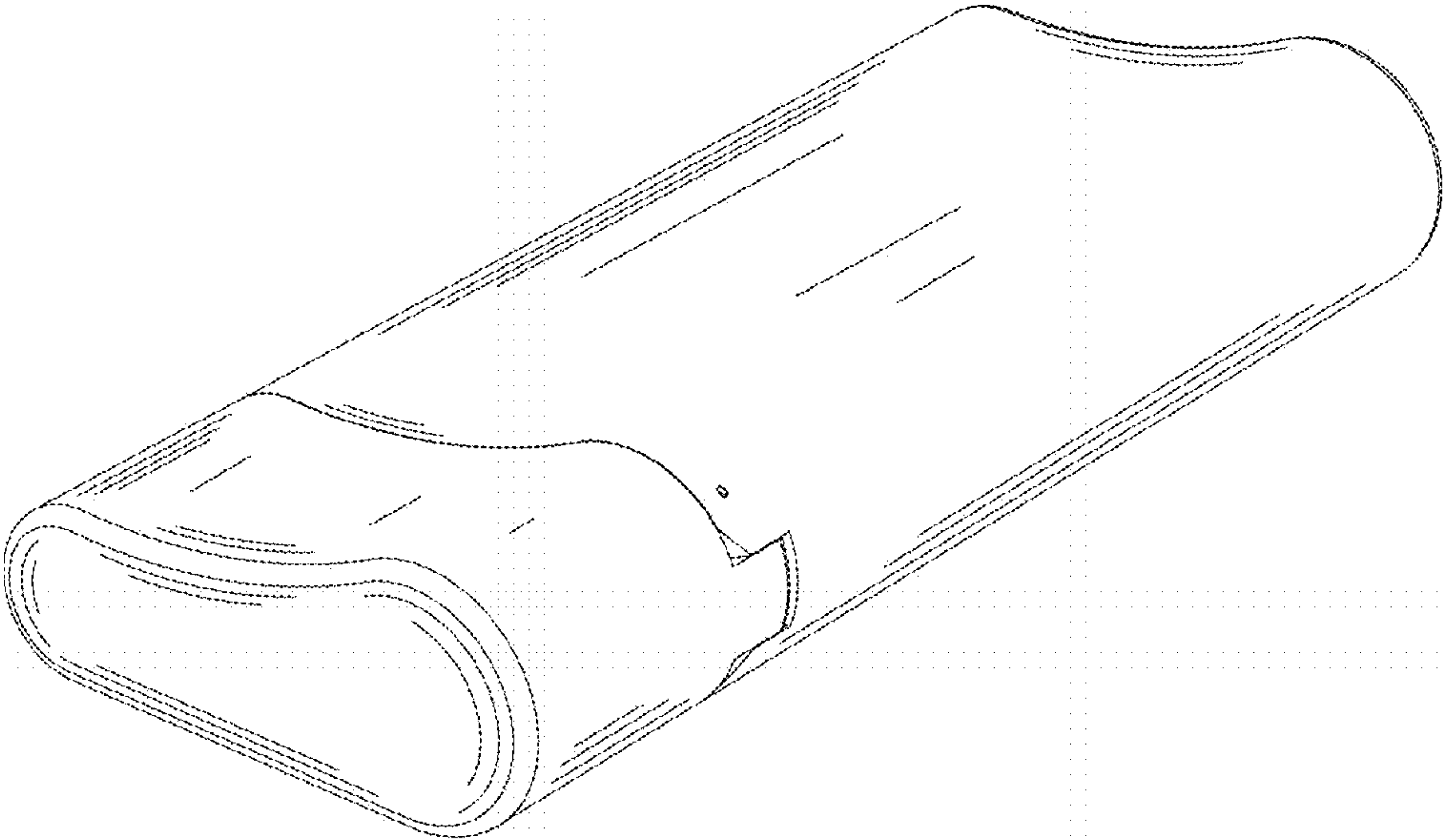


Fig. 8

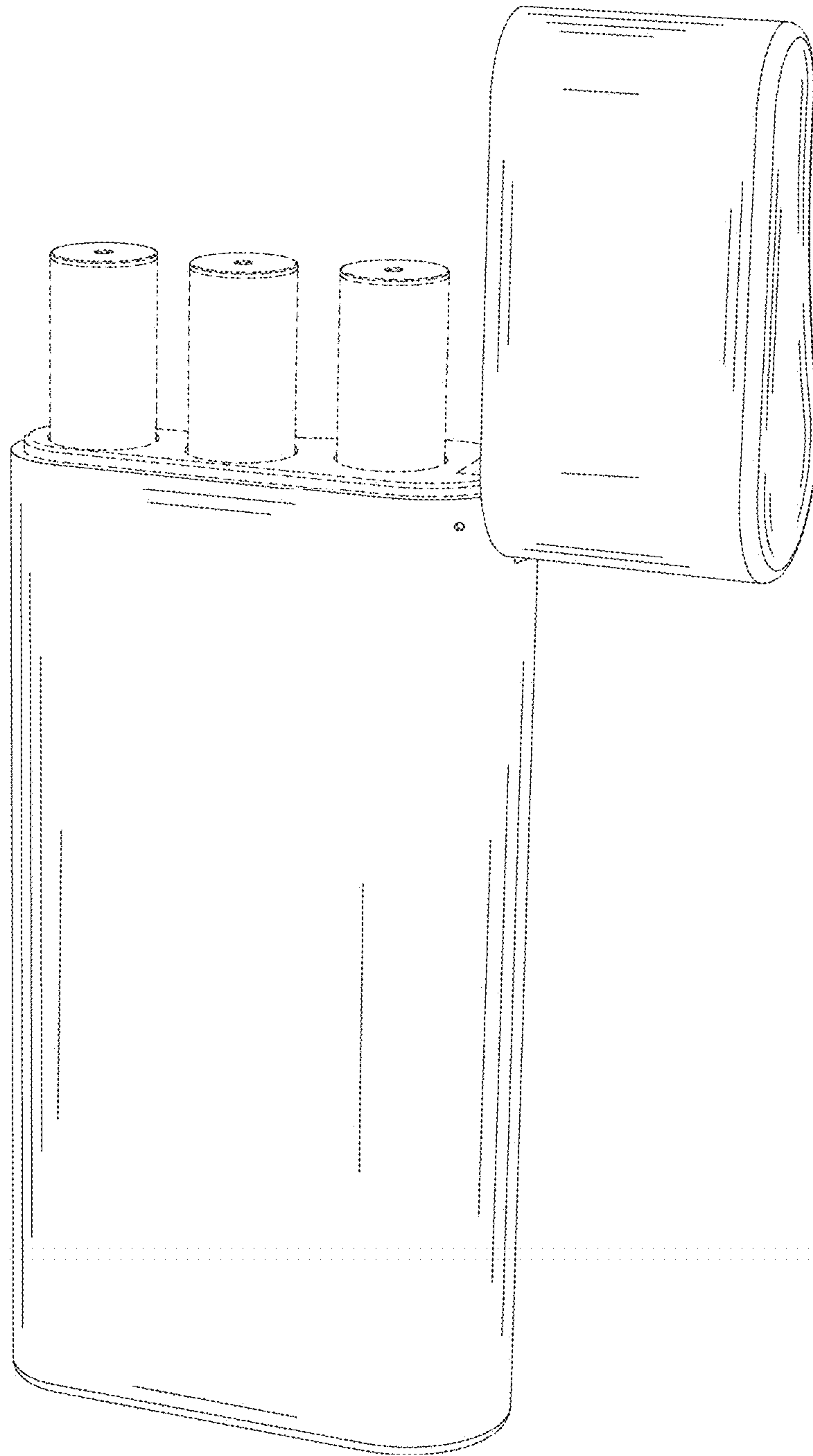


Fig. 9