



US00D736995S

(12) **United States Design Patent**
Recio

(10) **Patent No.:** **US D736,995 S**

(45) **Date of Patent:** **** Aug. 18, 2015**

(54) **LIGHTER**

(71) Applicant: **VMR Products, LLC**, Miami, FL (US)

(72) Inventor: **Dan Recio**, Miami, FL (US)

(73) Assignee: **VMR PRODUCTS, LLC**, Miami, FL (US)

(**) Term: **14 Years**

(21) Appl. No.: **29/483,487**

(22) Filed: **Feb. 28, 2014**

(51) **LOC (10) Cl.** **27-05**

(52) **U.S. Cl.**
USPC **D27/141**

(58) **Field of Classification Search**
USPC D27/141–147, 154–159, 161, 186, 189,
D27/192, 193; D7/416; D8/18, 34; 431/135,
431/277; 219/268, 286
CPC F23Q 7/16; F23Q 2/282; F23Q 2/285;
F23Q 2/36; F23Q 7/18; F23Q 7/00; B60N
3/14

See application file for complete search history.

(56) **References Cited**

U.S. PATENT DOCUMENTS

1,004,868	A *	10/1911	Goerdes	431/135
1,359,003	A *	11/1920	Thorens	431/135
2,199,885	A *	5/1940	Kravchuk	219/263
2,240,678	A *	5/1941	Stanard	219/262
D143,295	S *	12/1945	Fisher	D27/159
2,459,656	A *	1/1949	Kirschner	219/263
2,676,237	A *	4/1954	Tooker, Jr.	219/263
2,680,962	A *	6/1954	Lipic et al.	431/277
2,689,902	A *	9/1954	Burtman	219/266
D183,907	S *	11/1958	Atchley	D27/159
3,062,029	A *	11/1962	Price	431/277
D206,898	S *	2/1967	Ensign et al.	D27/159
3,351,736	A *	11/1967	Jacobson	219/267
D211,900	S *	8/1968	Mizutani	D27/159

3,723,048	A *	3/1973	Russell	431/151
D226,730	S *	4/1973	Goto	D27/157
3,760,231	A *	9/1973	Schindler	361/247

(Continued)

OTHER PUBLICATIONS

Electronic Cigarette Lighter (Design—© Questel). orbit.com [online PDF] 8 pages. Uploaded as early as Apr. 9, 2014 [retrieved on Mar. 27, 2015]. Retrieved from Internet: <<http://sobjprd.questel.fr/export/QPTUJ214/pdf2/c5d795d9-03a8-434d-9461-39869cb8b152-212116.pdf>>.*

(Continued)

Primary Examiner — Susan Bennett Hattan

Assistant Examiner — Marie Fast Horse

(74) *Attorney, Agent, or Firm* — Feldman Gale, P.A.; Robert Weaver

(57) **CLAIM**

The ornamental design for a lighter, as shown and described.

DESCRIPTION

FIG. 1 is a front perspective view of a lighter according to the present invention in a closed position;

FIG. 2 is a front perspective view of the lighter of FIG. 1 in an open position;

FIG. 3 is a front view of the lighter of FIG. 1 in an open position;

FIG. 4 is a first side view of the lighter of FIG. 1 in an open position;

FIG. 5 is a second side view of the lighter of FIG. 1 in an open position;

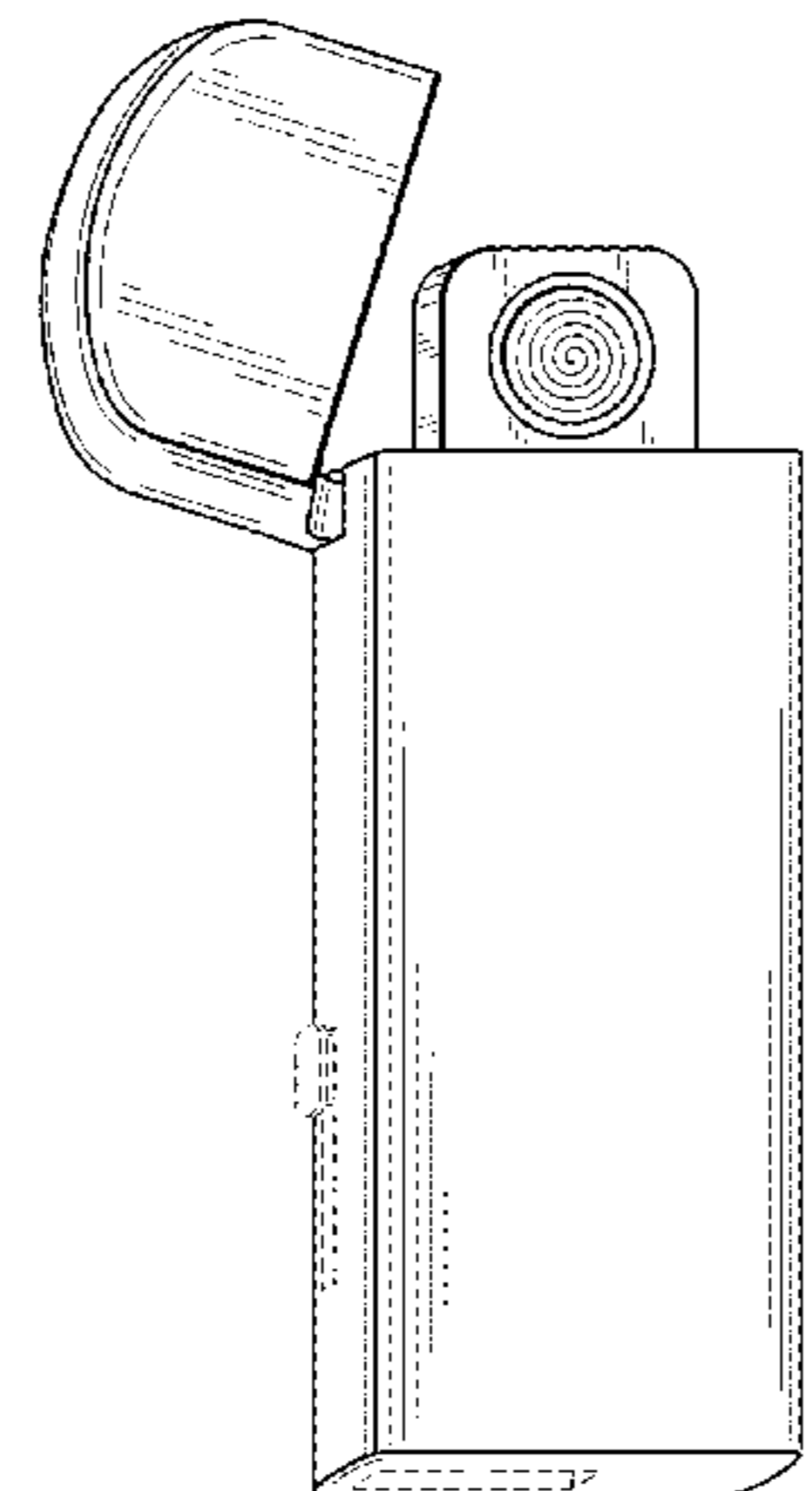
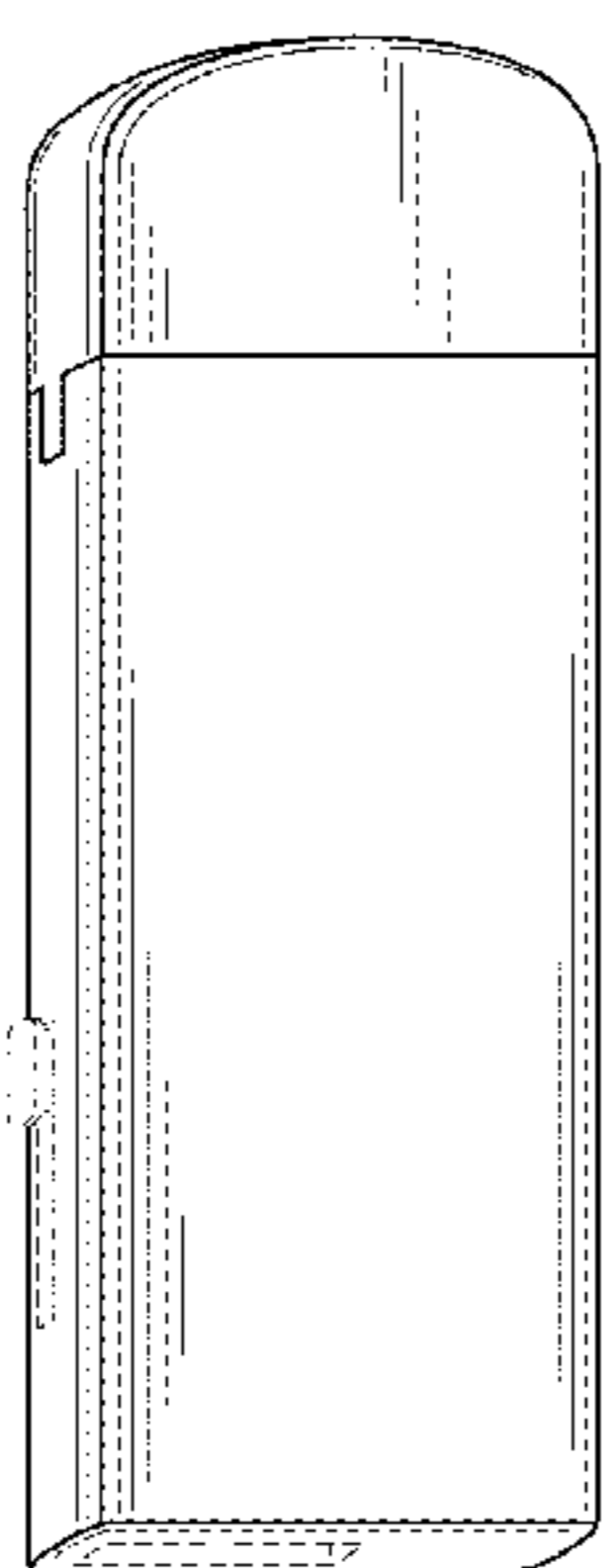
FIG. 6 is a rear view of the lighter of FIG. 1 in an open position;

FIG. 7 is a top view of the lighter of FIG. 1 in an open position; and,

FIG. 8 is a bottom view of the Lighter of FIG. 1 in an open position.

Features shown in broken lines depict parts of the lighter that form no part of the claimed design.

1 Claim, 3 Drawing Sheets



(56)

References Cited

U.S. PATENT DOCUMENTS

D262,744 S * 1/1982 Stutzer et al. D27/160
 4,342,902 A * 8/1982 Ping 219/268
 4,351,318 A * 9/1982 Ojima et al. 126/208
 D292,437 S * 10/1987 Wind, III D27/189
 D329,506 S * 9/1992 Bulgari D27/154
 5,274,214 A * 12/1993 Blackburn 219/268
 D458,409 S * 6/2002 Najar et al. D27/165
 D498,328 S * 11/2004 Cohen Harel D27/154
 D511,588 S * 11/2005 Chen D27/150
 D514,741 S * 2/2006 Cohen Harel D27/157
 7,138,605 B1 * 11/2006 Smith 219/268
 D547,488 S * 7/2007 Franz D27/141
 7,586,063 B1 * 9/2009 Wilbon 219/268

D700,397 S * 2/2014 Manca et al. D27/189
 D716,997 S * 11/2014 Freeland D27/165
 D723,736 S * 3/2015 Liu D27/189
 2002/0182554 A1 * 12/2002 Fisher 431/135
 2005/0266365 A1 * 12/2005 Xie 431/131
 2006/0288169 A1 * 12/2006 Steiner 711/115
 2014/0021190 A1 * 1/2014 Sardar 219/268
 2015/0024355 A1 * 1/2015 Ghofrani et al. 434/236

OTHER PUBLICATIONS

E-Flame KFC-193. kwongcf.com [online] 3 pages. Uploaded Aug. 2013 [retrieved on Mar. 27, 2015]. Retrieved from Internet: <<http://www.kwongcf.com/kcf-193-usb-lighter/#>>.*

* cited by examiner

FIG. 1

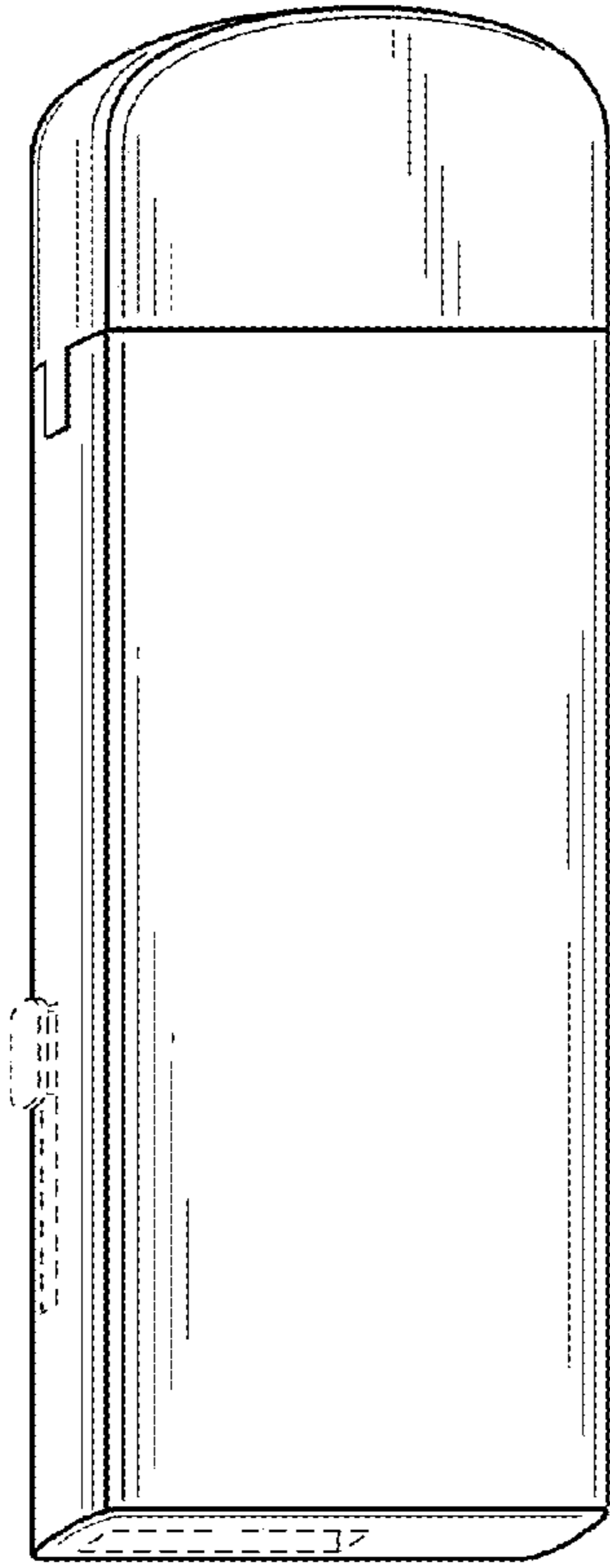


FIG. 2

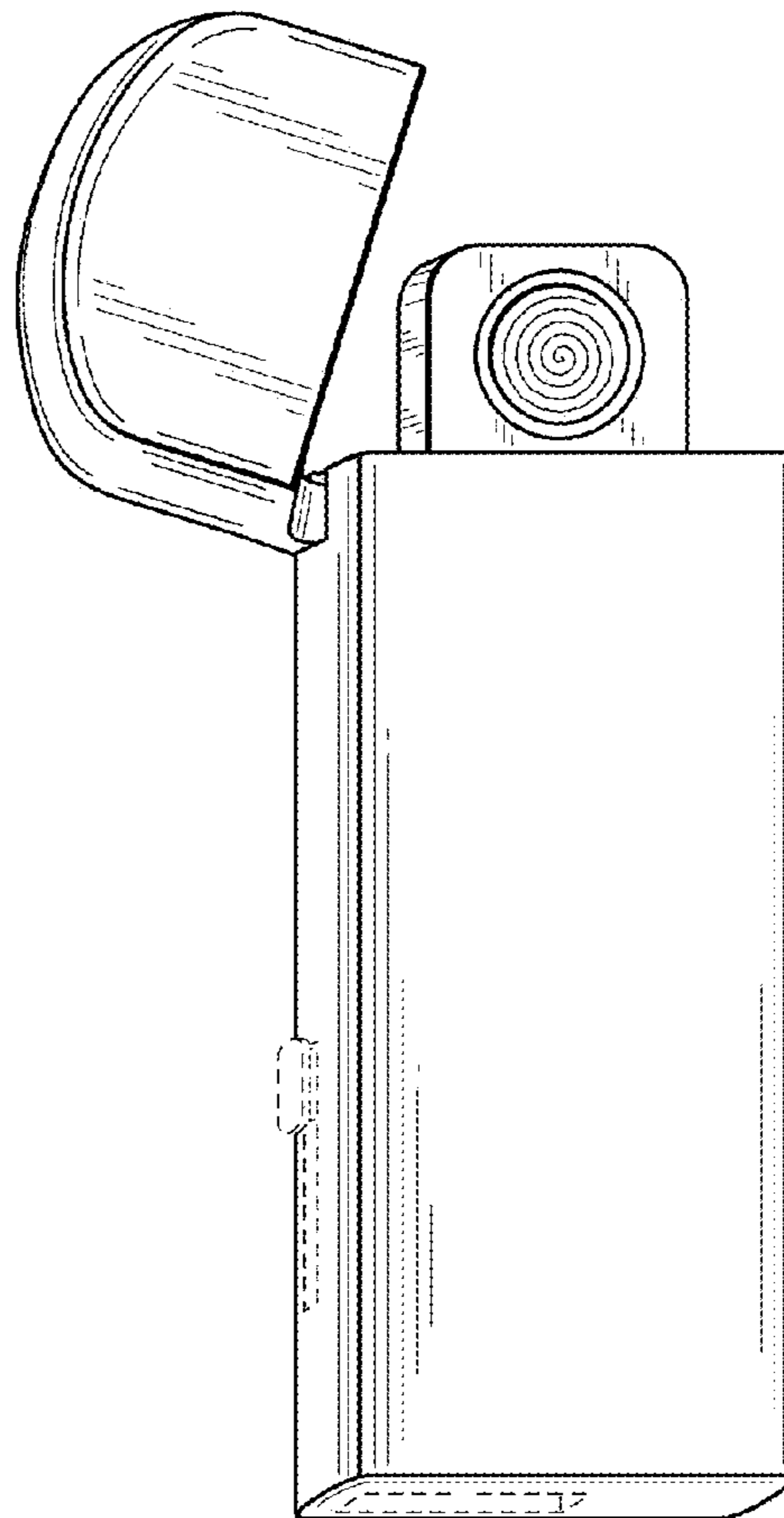


FIG. 3

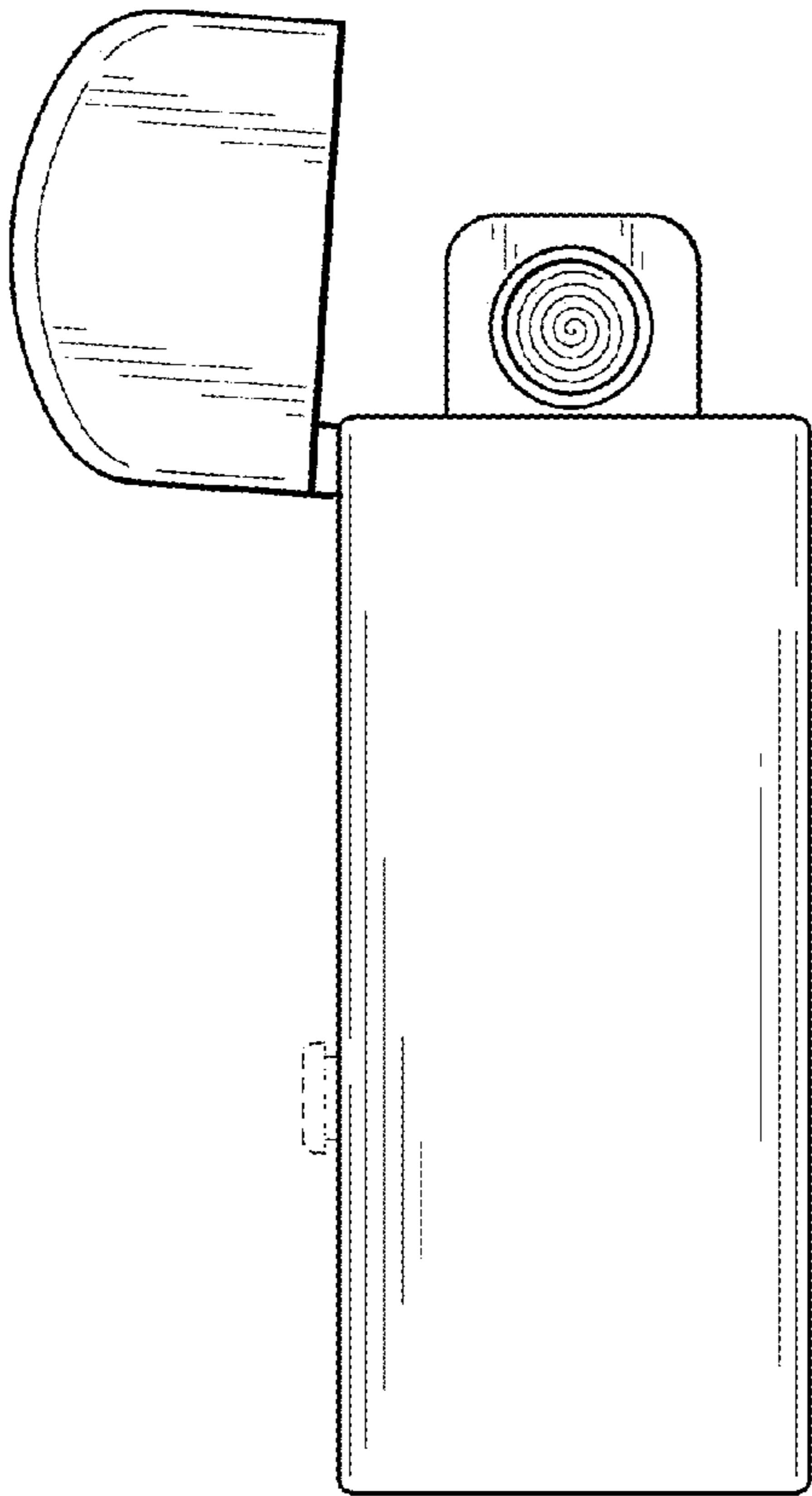


FIG. 4



FIG. 5

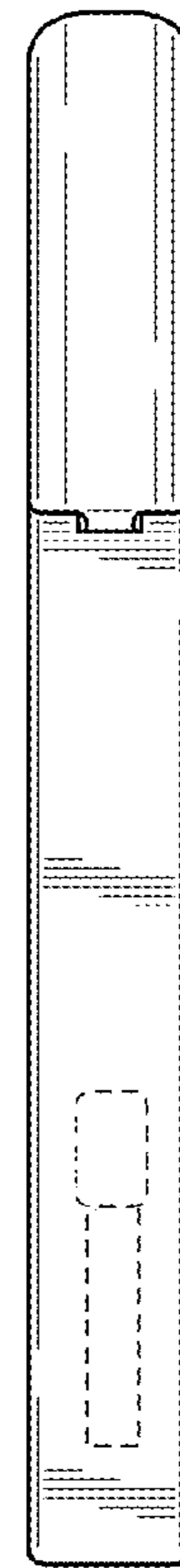


FIG. 6

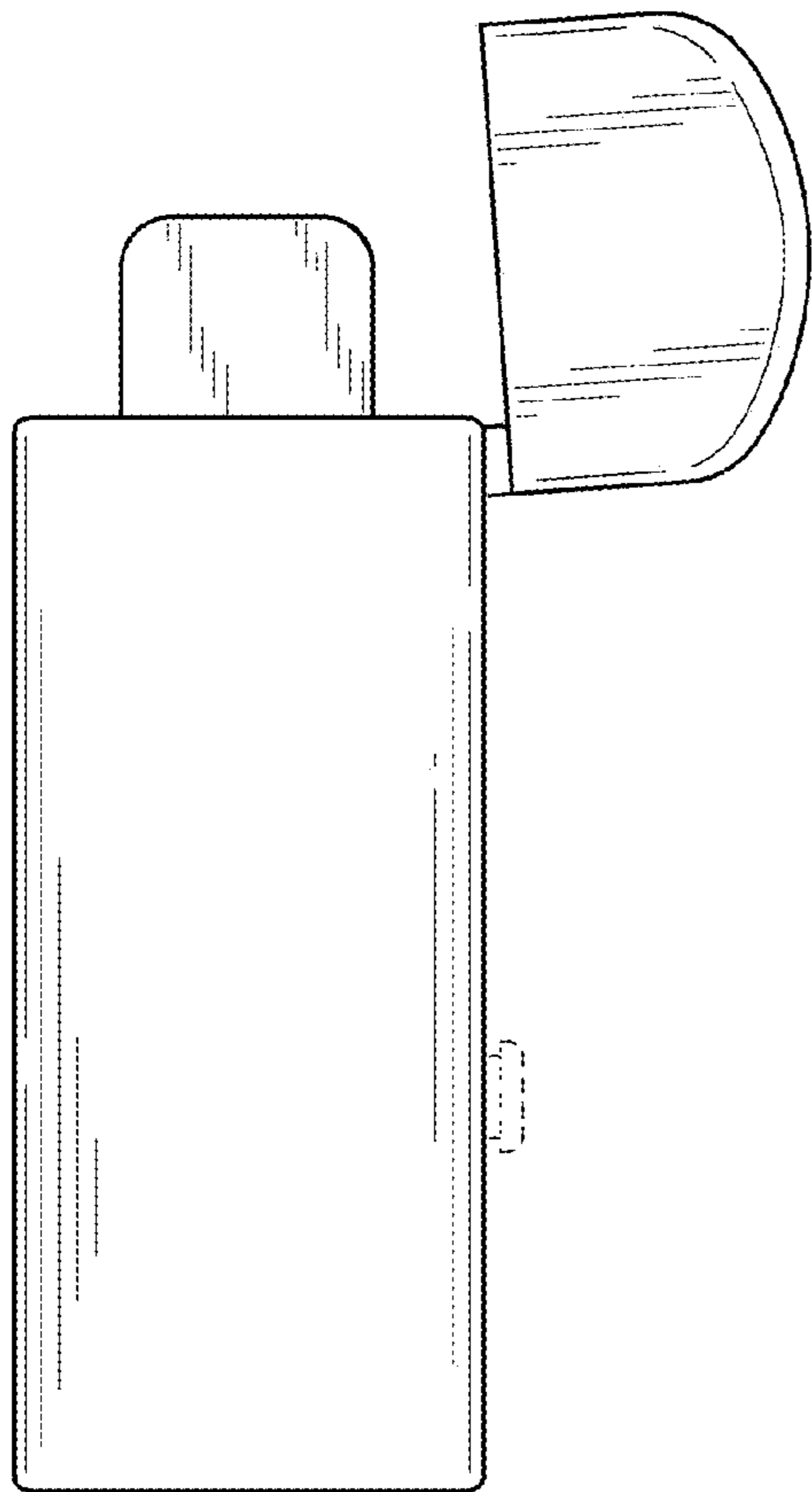


FIG. 7

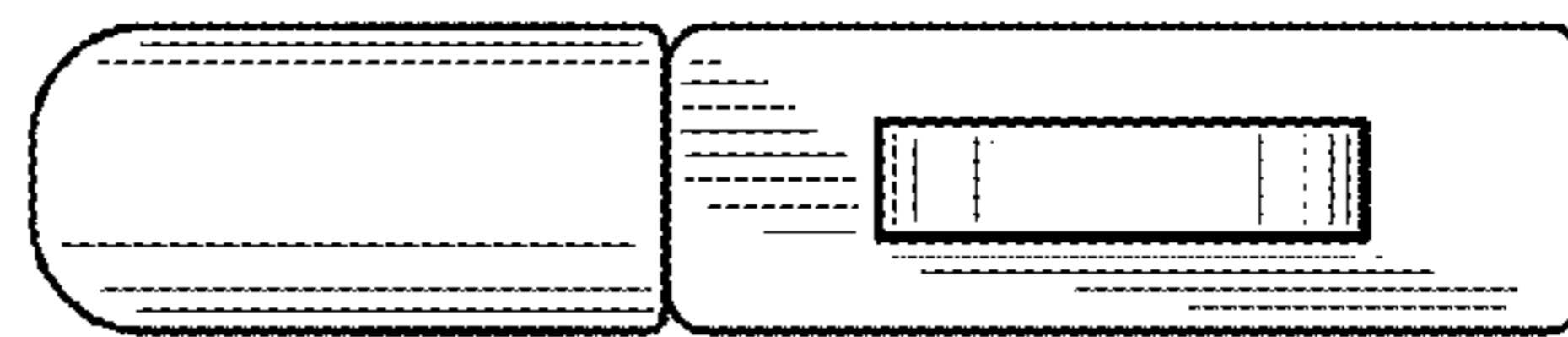


FIG. 8

