



US00D736994S

(12) **United States Design Patent**
Mittersinker et al.

(10) **Patent No.:** **US D736,994 S**
(45) **Date of Patent:** **** Aug. 18, 2015**

(54) **SMOKING ACCESSORY**
(75) Inventors: **Gregor Mittersinker**, Warwick, RI (US); **Aaron Abroff**, Acton, MA (US); **Laurent Manca**, Grandvaux (CH)
(73) Assignee: **Philip Morris Products S.A.**, Neuchatel (CH)

3,587,573 A 6/1971 Flack
D229,725 S 12/1973 Berger
D229,788 S 1/1974 Berger
D229,789 S 1/1974 Berger
D229,790 S 1/1974 Berger
5,042,510 A 8/1991 Curtiss et al.
5,269,327 A 12/1993 Counts et al.

(Continued)

(**) Term: **14 Years**
(21) Appl. No.: **29/422,430**
(22) Filed: **May 21, 2012**

FOREIGN PATENT DOCUMENTS

CN 300921772 5/2009
CN 300929777 5/2009

(Continued)

(30) **Foreign Application Priority Data**
Nov. 21, 2011 (EM) 001303150-0001
Nov. 21, 2011 (EM) 001303150-0002
Nov. 21, 2011 (EM) 001303150-0003
Nov. 21, 2011 (EM) 001303150-0004
Nov. 21, 2011 (EM) 001303150-0005
Nov. 21, 2011 (EM) 001303150-0006

OTHER PUBLICATIONS

Design U.S. Appl. No. 29/426,439, filed Jun. 22, 2012, including 3 pages of specification and 24 pages of drawing sheets.

(Continued)

(51) **LOC (10) Cl.** **27-01**
(52) **U.S. Cl.**
USPC **D27/101**
(58) **Field of Classification Search**
USPC D27/103-105, 108, 125, 172, 174-176,
D27/183, 186-192, 194, 100, 101, 170,
D27/163-165, 184, 185; D34/2;
206/242-276; D3/226-230; 4/258,
4/259, 267, 271, 283; 131/270-273, 329,
131/330, 194, 189, 347, 360-365
See application file for complete search history.

Primary Examiner — Susan Bennett Hattan
Assistant Examiner — Janice Hallmark
(74) *Attorney, Agent, or Firm* — Oblon, McClelland, Maier & Neustadt, L.L.P.

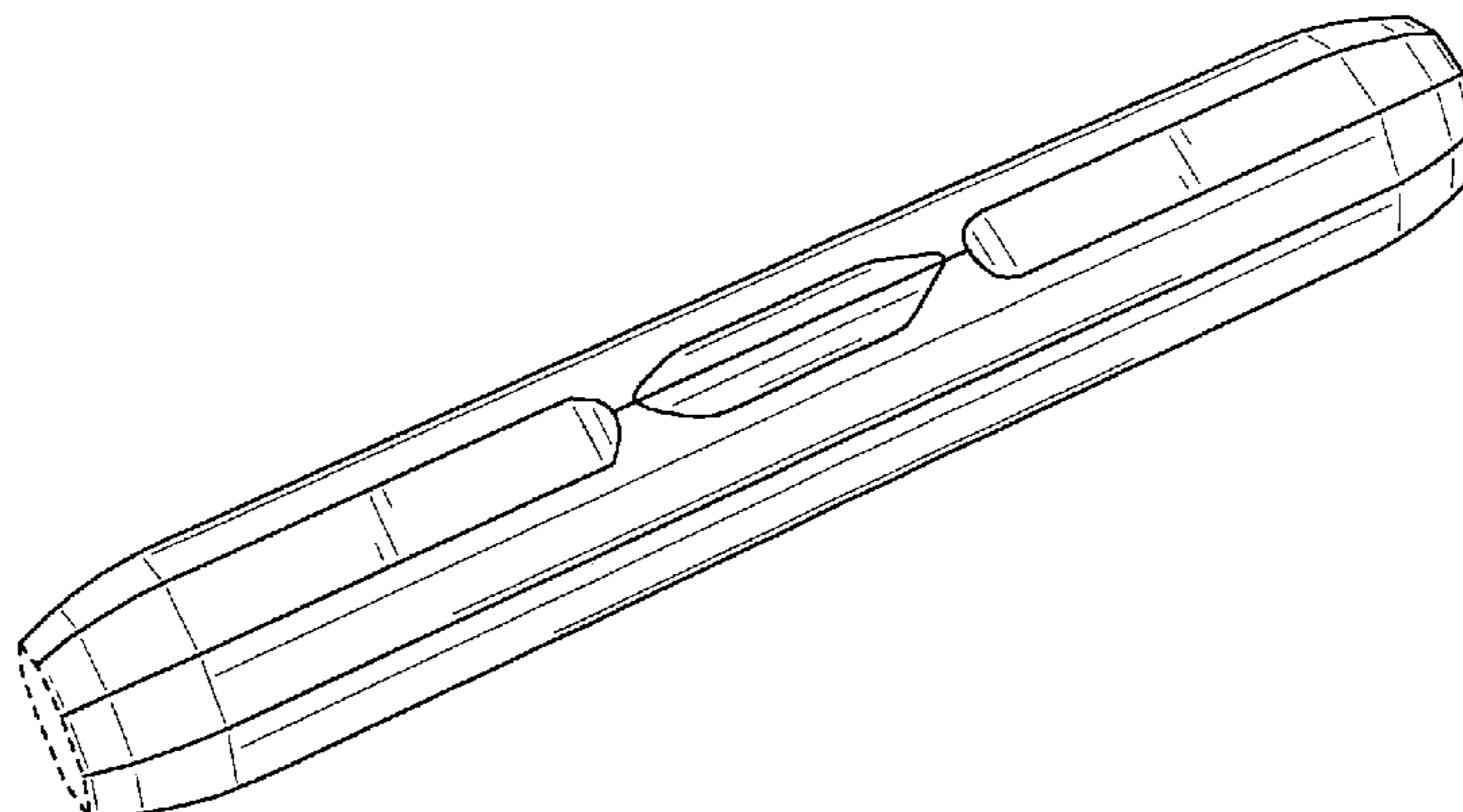
(57) **CLAIM**
The ornamental design for a smoking accessory, as shown and described.

DESCRIPTION

FIG. 1 is a perspective view of the back, top, and left side of the design for a smoking accessory, FIG. 2 is a right side view thereof, FIG. 3 is a top plan view thereof, FIG. 4 is a left side view thereof, FIG. 5 is a bottom plan view thereof, FIG. 6 is a front plan view thereof; and, FIG. 7 is a back plan view thereof. The broken lines in the drawings depict parts of the smoking accessory that form no part of the claimed design.

1 Claim, 7 Drawing Sheets

(56) **References Cited**
U.S. PATENT DOCUMENTS
110,089 A 1/1871 Scholfield
D28,836 S 6/1898 Heitmann
D34,334 S 4/1901 Requard
2,445,476 A 7/1948 Folkman
3,516,417 A 6/1970 Moses



(56)

References Cited

U.S. PATENT DOCUMENTS

5,417,227	A	5/1995	West	
5,611,360	A	3/1997	Tang	
5,613,504	A	3/1997	Collins et al.	
D404,515	S	1/1999	Dal Monte	
D404,516	S	1/1999	Benhamou	
D404,518	S	1/1999	Dal Monte	
D404,519	S	1/1999	Dal Monte	
D405,219	S	2/1999	Dal Monte	
D405,220	S	2/1999	Dal Monte	
5,865,185	A	2/1999	Collins et al.	
D410,107	S	5/1999	Dal Monte	
D410,765	S	6/1999	Gawryk	
6,532,965	B1	3/2003	Abhulimen et al.	
D493,911	S	8/2004	Somma et al.	
D590,988	S	4/2009	Hon	
D590,989	S	4/2009	Hon	
D624,238	S	9/2010	Turner	
D642,330	S	7/2011	Turner	
D644,375	S	8/2011	Zhou	
D646,431	S	10/2011	Awty et al.	
D653,803	S	2/2012	Timmermans	
D655,036	S	2/2012	Zhou	
D657,091	S	4/2012	Braveman	
D662,257	S	6/2012	Alelov	
D666,355	S	8/2012	Alelov	
D685,522	S *	7/2013	Potter et al.	D27/101
D687,181	S *	7/2013	Goch	D27/101
8,499,766	B1 *	8/2013	Newton	131/273
D691,765	S *	10/2013	Tucker et al.	D27/101
D691,766	S *	10/2013	Tucker et al.	D27/170
D695,449	S *	12/2013	Tucker et al.	D27/101
D696,455	S	12/2013	Abroff	
D696,815	S	12/2013	Abroff	
D699,391	S *	2/2014	Abroff et al.	D27/101
8,646,461	B2 *	2/2014	von Borstel et al.	131/273
2003/0029465	A1	2/2003	Strickland et al.	
2011/0290268	A1	12/2011	Schennum	

FOREIGN PATENT DOCUMENTS

CN	301100296	12/2009
CN	301114285	1/2010
CN	301168378	3/2010
CN	301168379	3/2010
CN	301168380	3/2010
CN	301168381	3/2010
CN	301168382	3/2010
CN	301168383	3/2010
CN	301322530	S 8/2010
CN	301357985	S 9/2010
CN	301376916	S 11/2010
CN	301412347	S 12/2010
CN	301428288	S 12/2010
CN	301547690	S 5/2011
CN	301547691	S 5/2011
CN	301555201	S 5/2011
CN	301722384	S 11/2011
CN	301722386	S 11/2011
CN	301744970	S 11/2011
CN	3019701695	S 6/2012
EM	000084876-0001	1/2004
EM	000084876-0002	1/2004
EM	000084876-0003	1/2004
EM	000084876-0004	1/2004
EM	000084876-0005	1/2004
EM	000084876-0006	1/2004
EM	000084876-0007	1/2004
EM	000084876-0008	1/2004
EM	000084876-0009	1/2004
EM	000084876-0010	1/2004
EM	000084876-0011	1/2004
EM	000084876-0012	1/2004
EM	000084876-0013	1/2004
EM	000084876-0014	1/2004

EM	000084876-0015	1/2004
EM	000084876-0016	1/2004
EM	000084876-0017	1/2004
EM	001025779-0001	11/2008
EM	001857588-0001	5/2011
EM	001307649-0002	12/2011
EM	001307649-0003	12/2011
EM	001307649-0004	12/2011
EM	001307649-0005	12/2011
EM	001307649-0006	12/2011
EM	001303150-0001	1/2012
EM	001303150-0002	1/2012
EM	001303150-0003	1/2012
EM	001303150-0004	1/2012
EM	001303150-0005	1/2012
EM	001303150-0006	1/2012
EM	001317556-0007	3/2012
EM	001317556-0008	3/2012
EM	001317556-0009	3/2012
EM	001991100-0001	3/2012
EM	001991100-0002	3/2012
EM	001991100-0003	3/2012
EM	001991100-0004	3/2012
EM	001991100-0005	3/2012
EM	001991100-0006	3/2012
EM	001991100-0007	3/2012
EM	001991100-0008	3/2012
EM	001991100-0009	3/2012
EM	001991100-0010	3/2012
EM	001991126-0001	3/2012
EM	001991126-0002	3/2012
EM	001991126-0003	3/2012
EM	001991126-0004	3/2012
EM	001991126-0005	3/2012
EM	001991126-0006	3/2012
EM	001991126-0007	3/2012
EM	001307631-0003	4/2012
EM	001307631-0004	4/2012
EM	001307631-0021	4/2012
EM	001307649-0001	4/2012
EM	001307656-0001	4/2012
EM	001307656-0004	4/2012
EM	001307656-0007	4/2012
EM	001307656-0013	4/2012
EP	1536703	B1 9/2006
FR	891209	2/1990
JP	D1273004	4/2006
JP	D1385679	3/2010
JP	D1385674	4/2010
JP	D1385675	4/2010
JP	D1385676	4/2010
JP	D1385677	4/2010
JP	D1409197	3/2011
KR	3003974070000	11/2005
KR	300402970001	7/2006
KR	3005589800000	4/2010
KR	3005838550000	1/2011
KR	3005838560000	1/2011
KR	3006097230000	8/2011
KR	300620302000	11/2011
VN	3-2012-00620	5/2012
VN	3-2012-00621	5/2012
VN	3-2012-00622	5/2012
VN	3-2012-00623	5/2012
VN	3-2012-00624	5/2012
VN	3-2012-00625	5/2012
WO	2008/113420	A1 9/2008
WO	2009/079641	A1 6/2009

OTHER PUBLICATIONS

Republic of Vietnam Office Action dated Mar. 12, 2014, in application No. 3-2012-00828, with English translation, citing documents AH, AI, AJ, AK, AL, AM, AN, AO, AP, AU therein, 4 pp.
 Republic of Vietnam Office Action dated Mar. 12, 2014, in application No. 3-2012-00829, with English translation, citing documents AH, AO, AQ, AR, AS, AT, AU, AV, BI, BN, BJ, BK therein, 4 pp.
 Republic of Vietnam Office Action dated Mar. 12, 2014, in application No. 3-2012-00830, with English translation, citing documents AH, AO, AP, AQ, AU therein, 4 pp.

(56)

References Cited

OTHER PUBLICATIONS

U.S. Appl. No. 29/498,167, filed Jul. 31, 2014, Mittersinker et al.
U.S. Appl. No. 29/498,175, filed Jul. 31, 2014, Mittersinker et al.

U.S. Appl. No. 29/498,177, filed Jul. 31, 2014, Mittersinker et al.

U.S. Appl. No. 29/479,202, filed Jan. 13, 2014, Abroff et al.

* cited by examiner

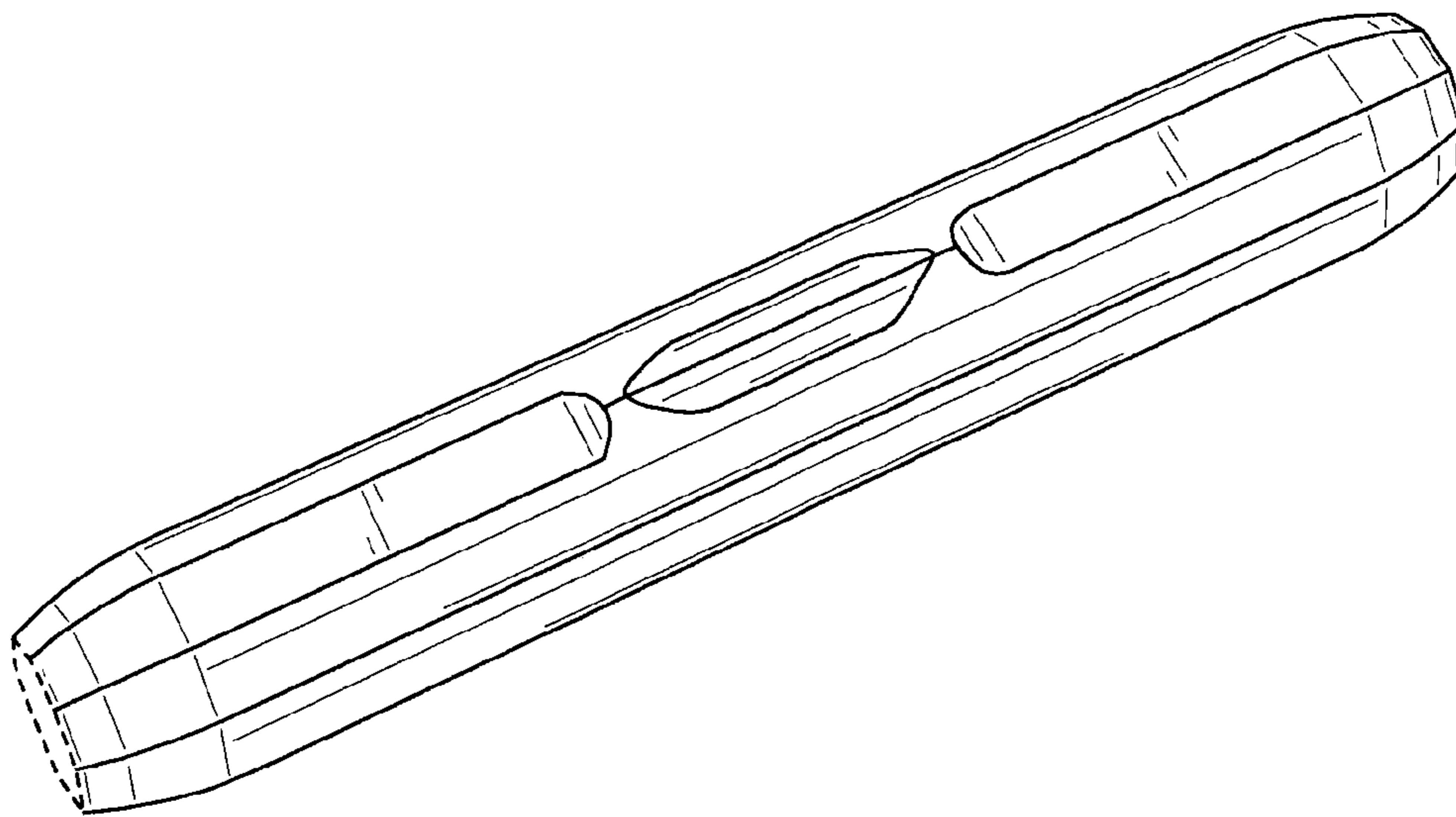


FIG. 1

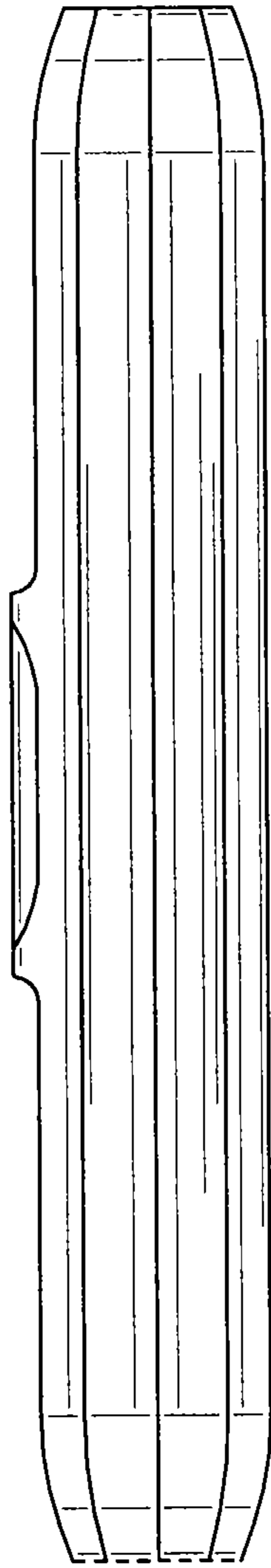


FIG. 2

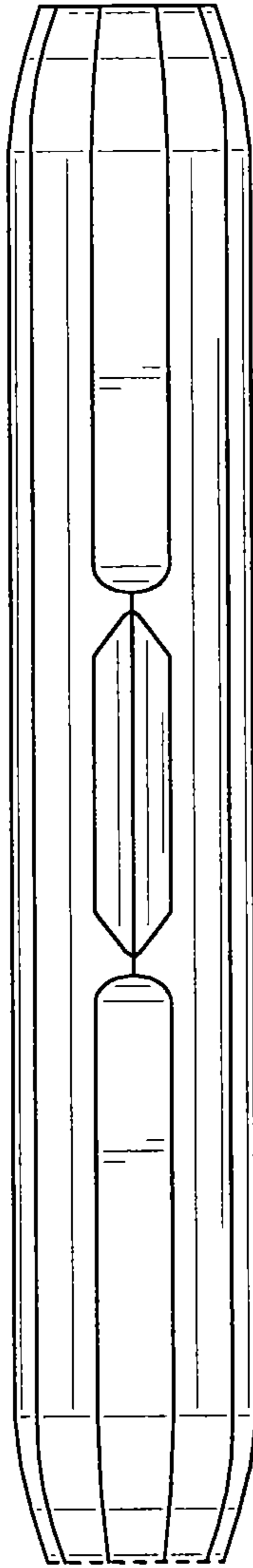


FIG. 3



FIG. 4

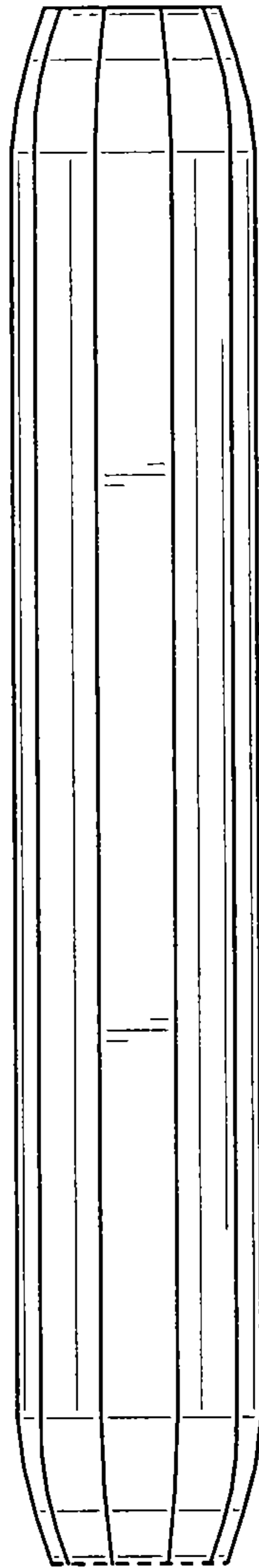


FIG. 5

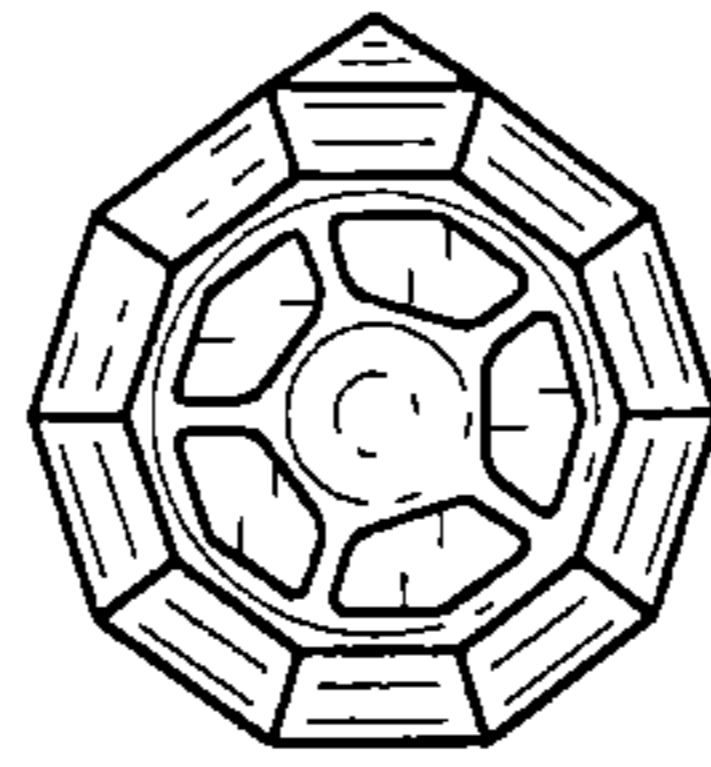


FIG. 6

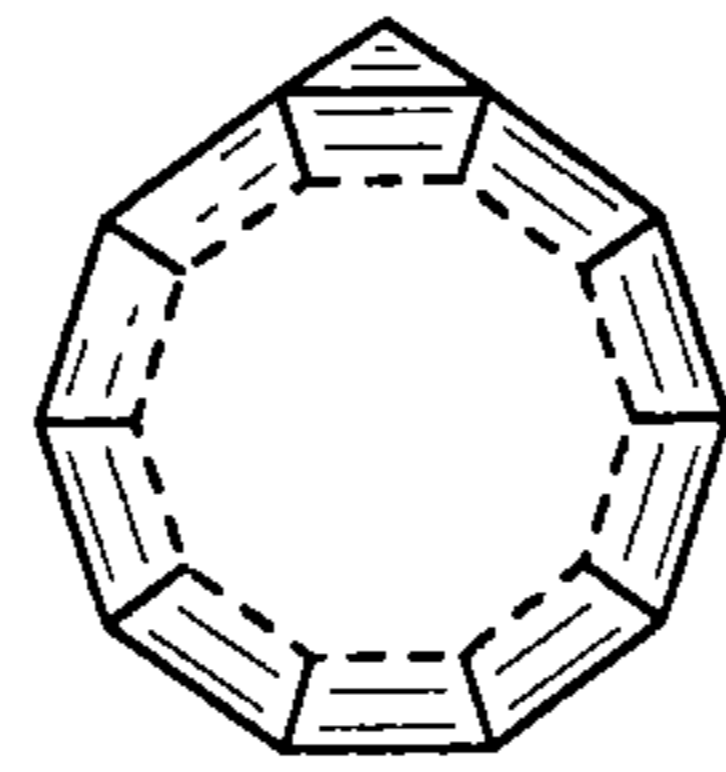


FIG. 7