

US00D736985S

(12) **United States Design Patent**
Messisaen

(10) **Patent No.:** **US D736,985 S**

(45) **Date of Patent:** **** Aug. 18, 2015**

(54) **FLOOR FIXTURE**

(71) Applicant: **KONINKLIJKE PHILIPS ELECTRONICS N.V.**, Eindhoven (NL)

(72) Inventor: **Lieven Messisaen**, Bruges (BE)

(73) Assignee: **KONINKLIJKE PHILIPS N.V.**, Eindhoven (NL)

(**) Term: **14 Years**

(21) Appl. No.: **29/452,576**

(22) Filed: **Apr. 18, 2013**

(30) **Foreign Application Priority Data**

Oct. 18, 2012 (EM) 002120691-0004

(51) **LOC (10) Cl.** **26-03**

(52) **U.S. Cl.**
USPC **D26/106**

(58) **Field of Classification Search**
USPC D26/24, 93, 106, 108, 110, 112
CPC F21S 6/00; F21S 6/002; F21S 6/004;
F21S 6/008; F21S 8/00; F21S 10/00; F21V
21/02; F21V 2131/30; F21Y 2105/00

See application file for complete search history.

(56) **References Cited**

U.S. PATENT DOCUMENTS

D309,504 S *	7/1990	Hanson	D26/93
D328,503 S *	8/1992	Masahara	D26/110
D328,651 S *	8/1992	Leonard	D26/110
D329,301 S *	9/1992	Leonard	D26/110
D348,535 S *	7/1994	Burnett	D26/93
D373,000 S *	8/1996	Brady	D26/106
D512,661 S *	12/2005	Morris et al.	D26/110
D517,237 S *	3/2006	Morrow	D26/110
D589,204 S *	3/2009	Sabernig	D26/93

* cited by examiner

Primary Examiner — Brian N Vinson

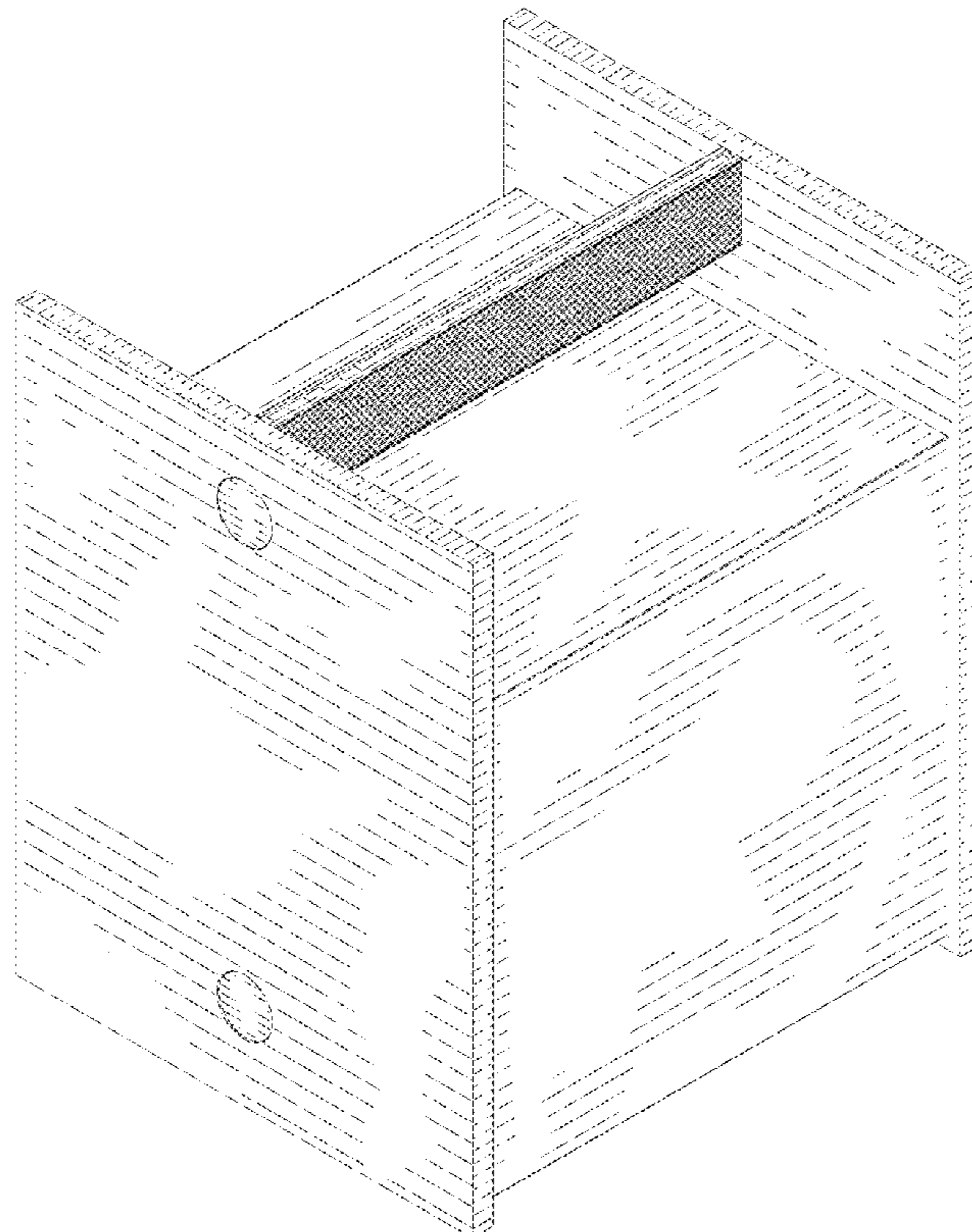
(57) **CLAIM**

The ornamental design for a floor fixture, as shown.

DESCRIPTION

FIG. 1 is a perspective view showing my design;
FIG. 2 is a front elevational view thereof;
FIG. 3 is a rear elevational view thereof;
FIG. 4 is a right side elevational view thereof;
FIG. 5 is a left side elevational view thereof;
FIG. 6 is a top plan view thereof; and,
FIG. 7 is a bottom plan view thereof.

1 Claim, 4 Drawing Sheets



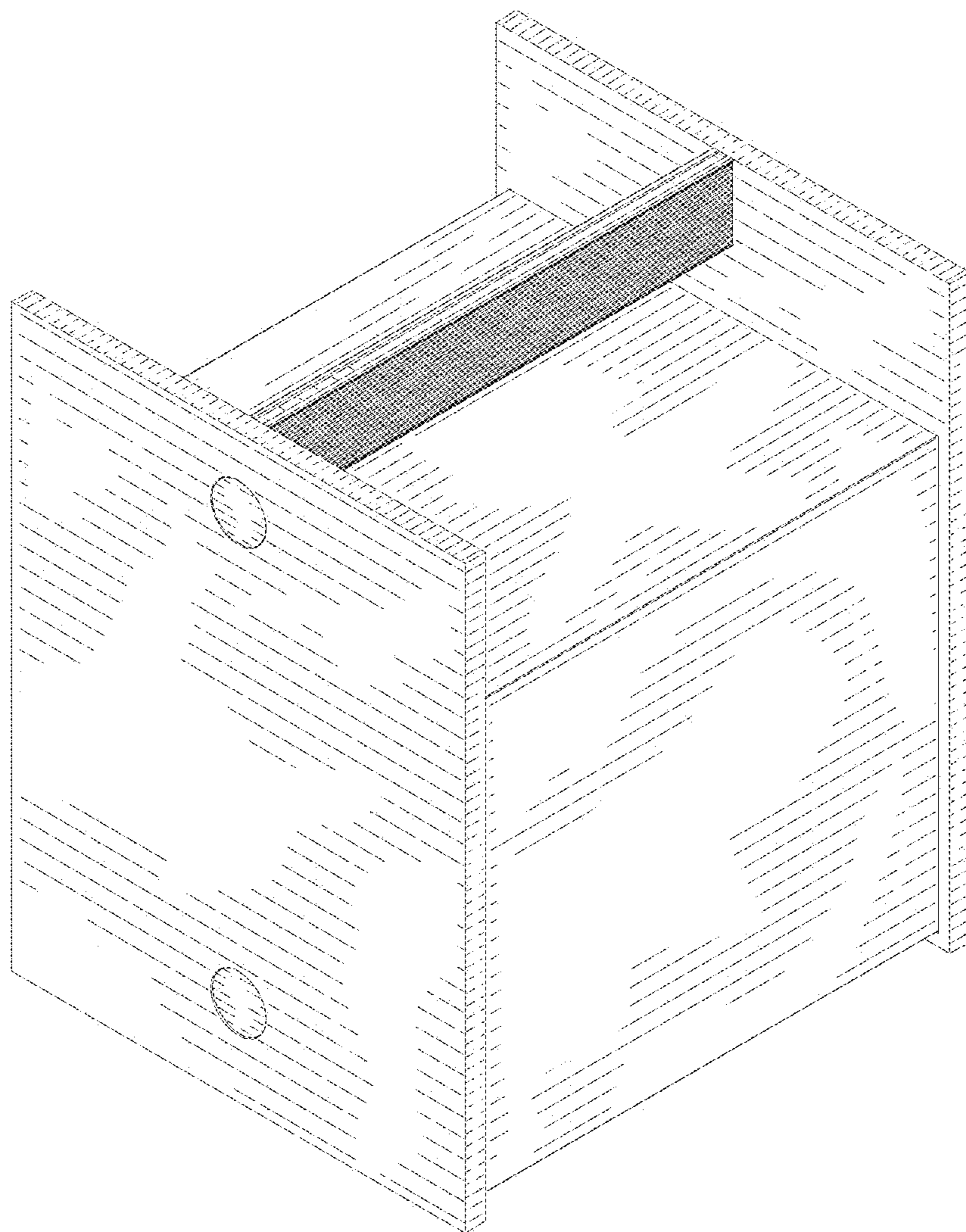


FIG. 1

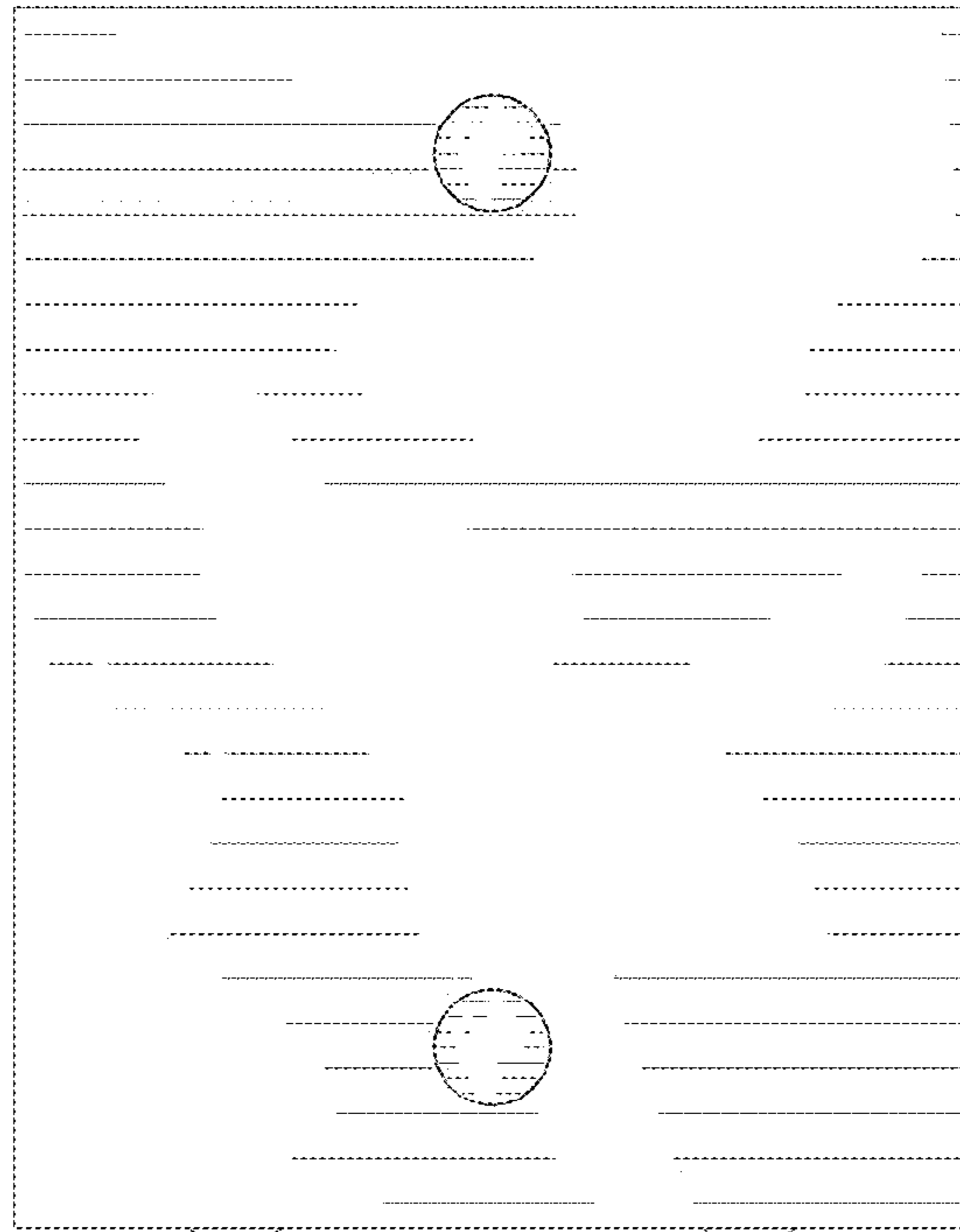


FIG. 2

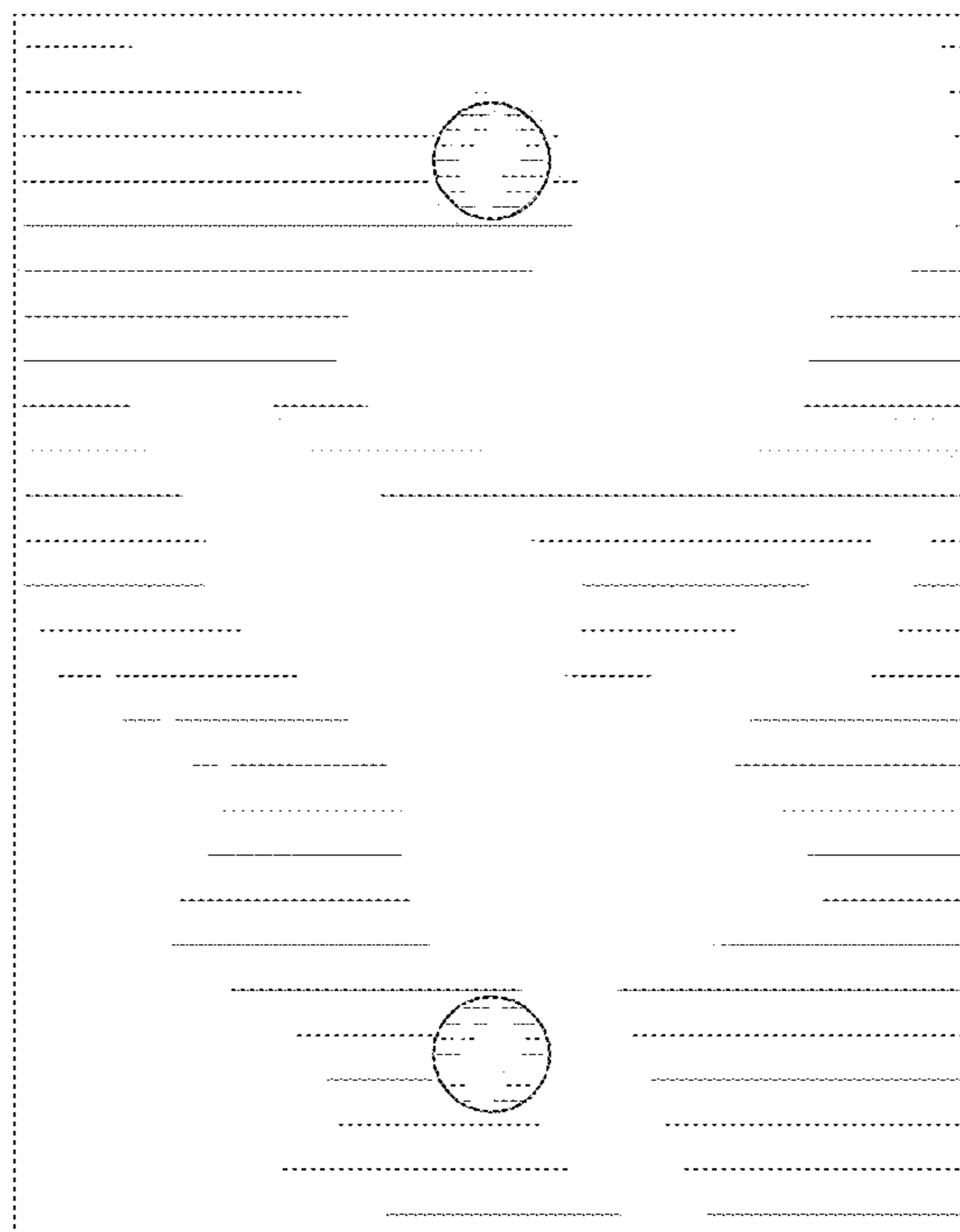


FIG. 3

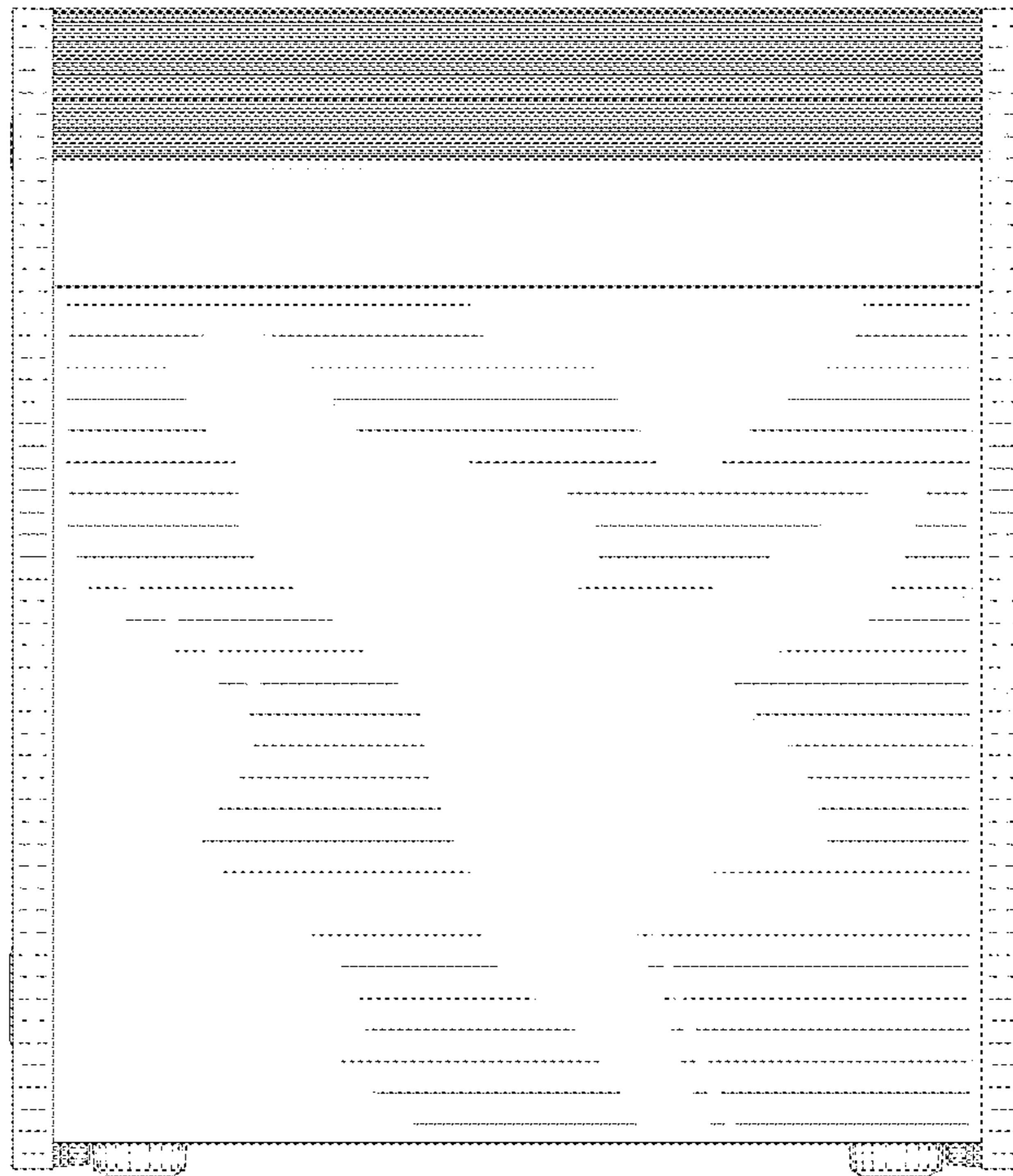


FIG. 4

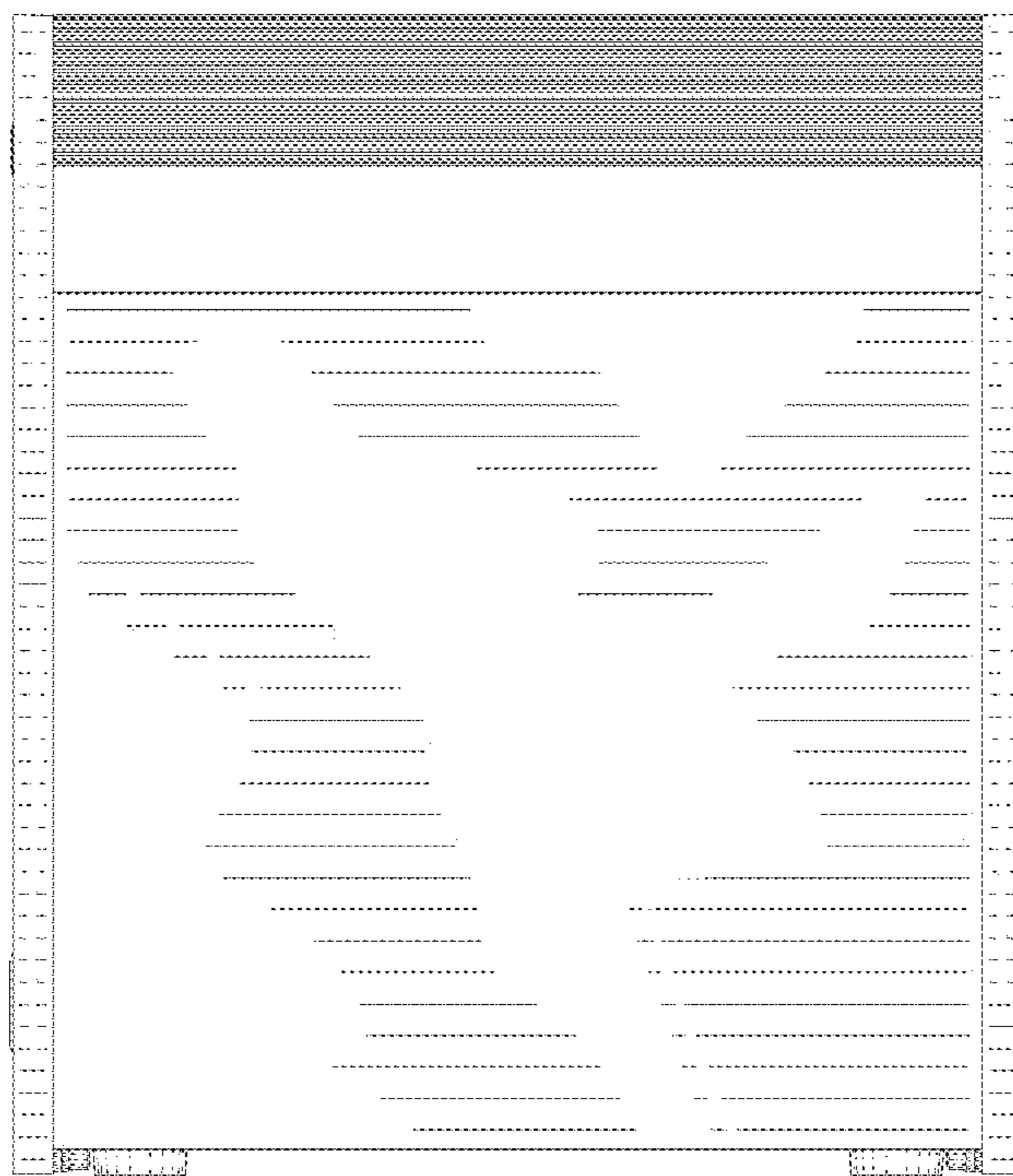


FIG. 5

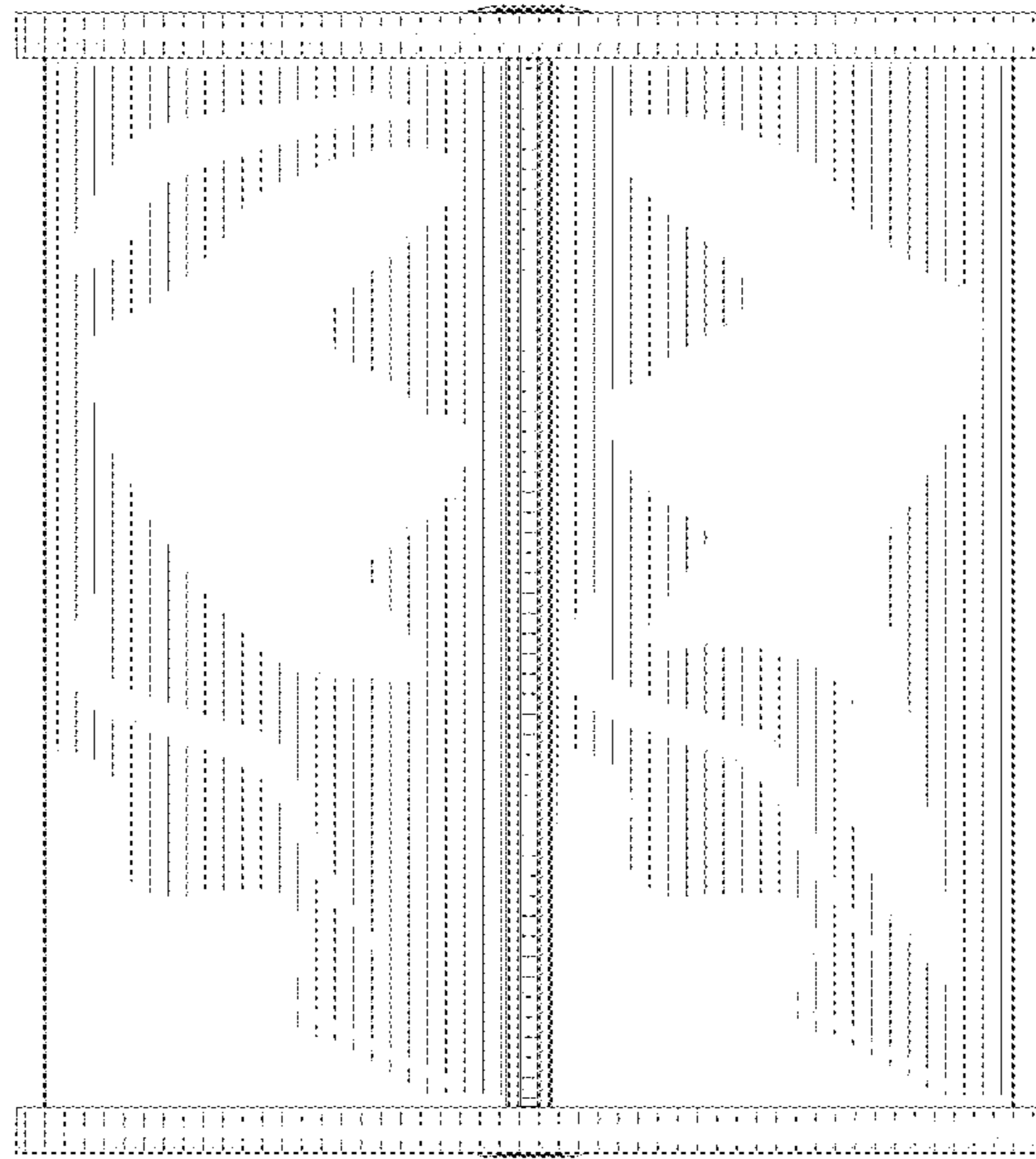


FIG. 6

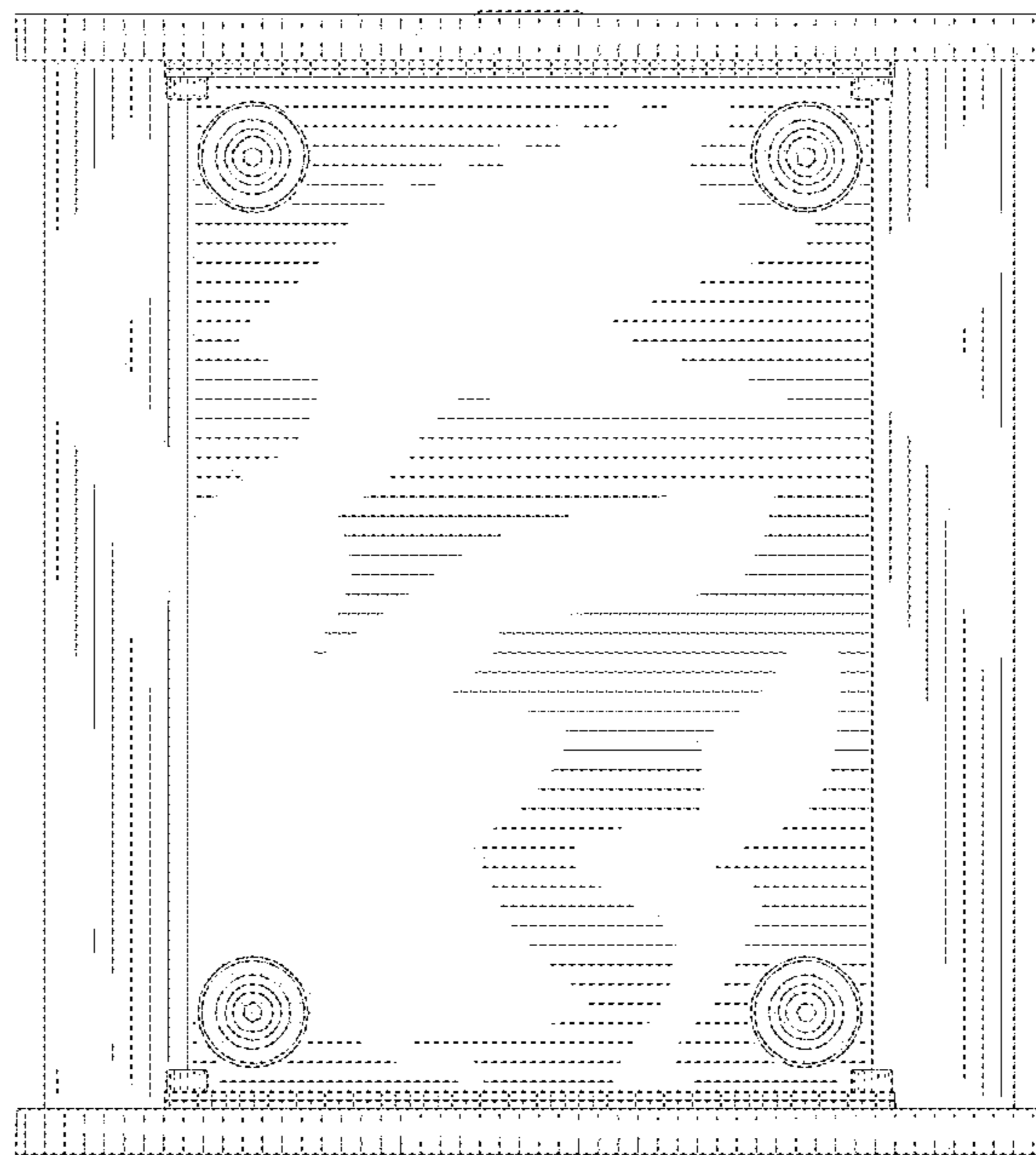


FIG. 7