



US00D736983S

(12) **United States Design Patent**
Dal Ponte et al.

(10) **Patent No.:** **US D736,983 S**

(45) **Date of Patent:** **** Aug. 18, 2015**

(54) **FLOODLIGHT LUMINAIRE**

(71) Applicant: **Hubbell Incorporated**, Shelton, CT
(US)

(72) Inventors: **Dean Bret Dal Ponte**, Glendale, CA
(US); **Michael Scott Neuer**, Covina, CA
(US); **Syed Ahmer Raza**, Rancho Palos
Verdes, CA (US); **Thomas Carl**
Lueken, Fontana, CA (US); **Ruben**
Daniel Dominguez, Covina, CA (US)

(73) Assignee: **Hubbell Incorporated**, Shelton, CT
(US)

(**) Term: **14 Years**

(21) Appl. No.: **29/491,750**

(22) Filed: **May 23, 2014**

(51) **LOC (10) Cl.** **26-05**

(52) **U.S. Cl.**
USPC **D26/71**

(58) **Field of Classification Search**
USPC D26/69, 70, 71, 72, 85, 92, 118;
362/431, 432
CPC F21V 15/01; F21V 17/107; F21V 19/02;
F21S 8/033; F21S 8/043; F21S 8/085; F21S
8/086; F21S 8/088; F21W 2131/103; F21W
2131/107

See application file for complete search history.

(56) **References Cited**

U.S. PATENT DOCUMENTS

4,729,073	A *	3/1988	Klaus	362/147
D391,659	S *	3/1998	Gaskins et al.	D26/71
D500,569	S *	1/2005	Butler	D26/71
D556,945	S	12/2007	Compton	
D563,587	S	3/2008	Quiogue et al.	
D566,318	S	4/2008	Quiogue et al.	

(Continued)

Primary Examiner — Clare E Hefflin

(74) *Attorney, Agent, or Firm* — Michael Best & Friedrich, LLP

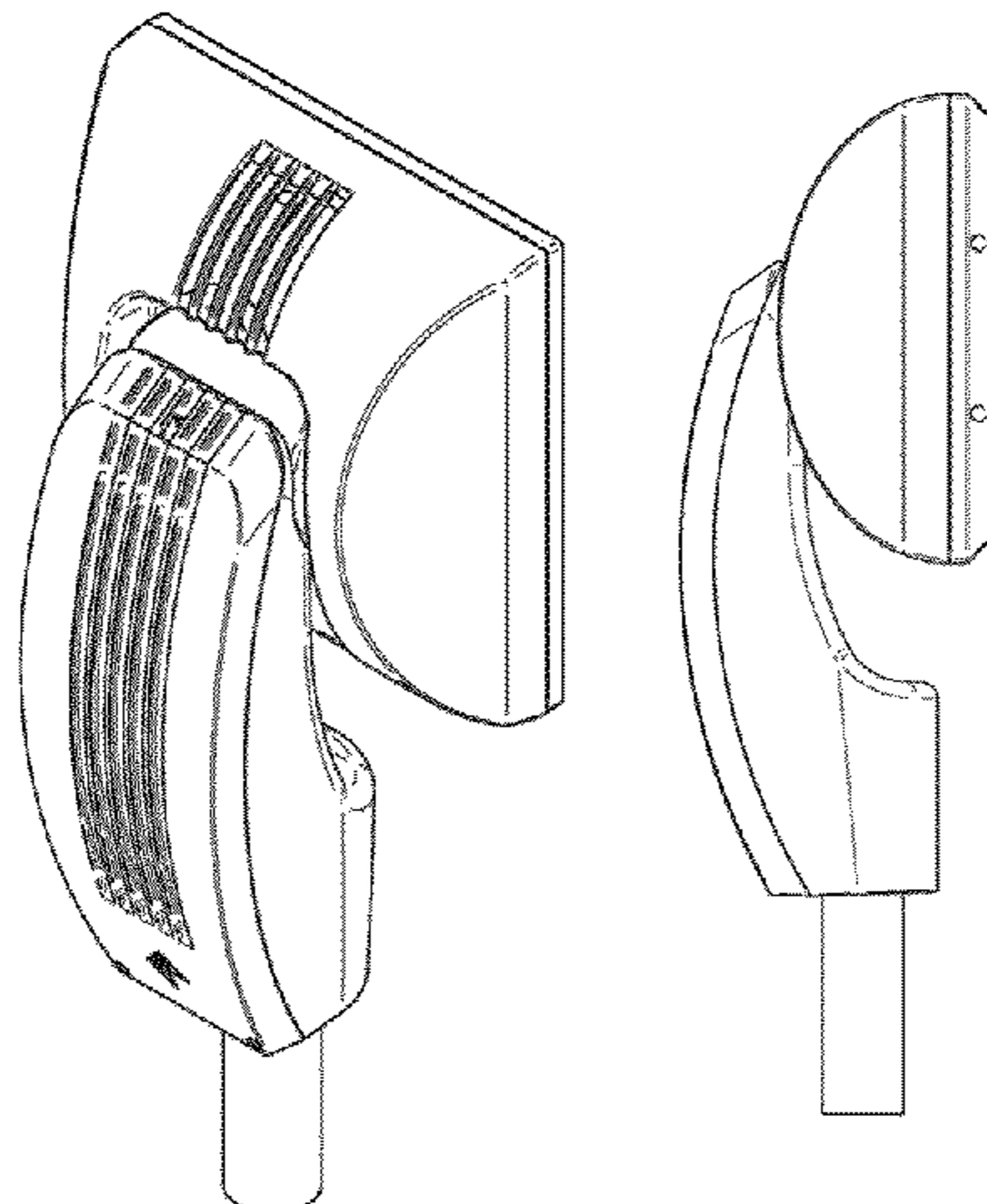
(57) **CLAIM**

The ornamental design for a floodlight luminaire, as shown and described.

DESCRIPTION

FIG. 1 is a front perspective view of a first embodiment of the design;
 FIG. 2 is a rear perspective view thereof;
 FIG. 3 is another front perspective view thereof;
 FIG. 4 is another rear perspective view thereof;
 FIG. 5 is a top plan view thereof;
 FIG. 6 is a bottom plan view thereof;
 FIG. 7 is a front elevational view thereof;
 FIG. 8 is a rear elevational view thereof;
 FIG. 9 is a left side elevational view thereof;
 FIG. 10 is a right side elevational view thereof;
 FIG. 11 is a front perspective view of a second embodiment of the design;
 FIG. 12 is a rear perspective view thereof;
 FIG. 13 is another front perspective view thereof;
 FIG. 14 is another rear perspective view thereof;
 FIG. 15 is a top plan view thereof;
 FIG. 16 is a bottom plan view thereof;
 FIG. 17 is a front elevational view thereof;
 FIG. 18 is a rear elevational view thereof;
 FIG. 19 is a left side elevational view thereof;
 FIG. 20 is a right side elevational view thereof;
 FIG. 21 is a front perspective view of a third embodiment of the design;
 FIG. 22 is a rear perspective view thereof;
 FIG. 23 is another front perspective view thereof;
 FIG. 24 is another rear perspective view thereof;
 FIG. 25 is a top plan view thereof;
 FIG. 26 is a bottom plan view thereof;
 FIG. 27 is a front elevational view thereof;
 FIG. 28 is a rear elevational view thereof;
 FIG. 29 is a left side elevational view thereof; and,
 FIG. 30 is a right side elevational view thereof.

1 Claim, 6 Drawing Sheets



(56)

References Cited

U.S. PATENT DOCUMENTS

D568,521 S	5/2008	Compton		D674,950 S	1/2013	Lueken et al.	
D568,532 S	5/2008	Compton		8,342,709 B2	1/2013	Lueken et al.	
D570,025 S *	5/2008	Walker	D26/71	D680,258 S	4/2013	Ahrari et al.	
D570,516 S *	6/2008	Orellana	D26/71	D680,259 S	4/2013	Ahrari et al.	
D574,102 S	7/2008	Quiogue et al.		D713,987 S *	9/2014	Toms	D26/92
D607,593 S *	1/2010	Yoo	D26/71	2003/0007353 A1 *	1/2003	Patrick, III	362/277
D609,384 S *	2/2010	Gray et al.	D26/71	2003/0227772 A1 *	12/2003	Yoshida et al.	362/147
7,841,755 B1 *	11/2010	Walker	362/432	2005/0117333 A1 *	6/2005	Yoshida et al.	362/147
D634,878 S *	3/2011	Guercio et al.	D26/85	2008/0094838 A1 *	4/2008	Russello et al.	362/250
D636,107 S *	4/2011	Compton	D26/71	2009/0244881 A1 *	10/2009	Butler	362/20
D652,557 S *	1/2012	Boissevain et al.	D26/71	2010/0208460 A1 *	8/2010	Ladewig et al.	362/235
D670,021 S	10/2012	Ahrari et al.		2010/0238671 A1 *	9/2010	Catone et al.	362/373
D673,720 S	1/2013	Bailey et al.		2011/0013397 A1 *	1/2011	Catone et al.	362/244
				2011/0084629 A1 *	4/2011	Pini	315/312
				2011/0305019 A1 *	12/2011	Lee	362/247
				2013/0250584 A1 *	9/2013	Wang et al.	362/362

* cited by examiner

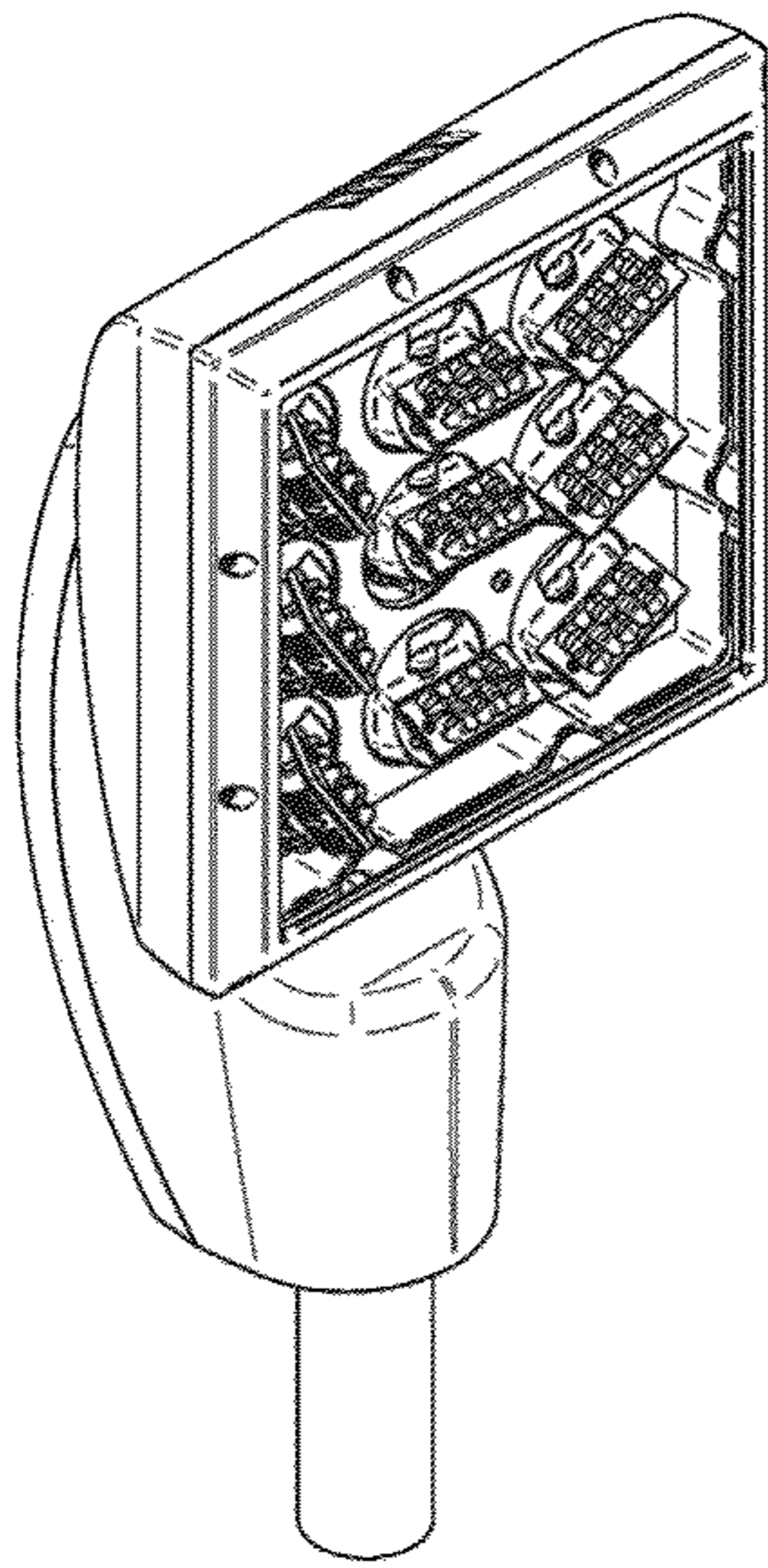


FIG. 1

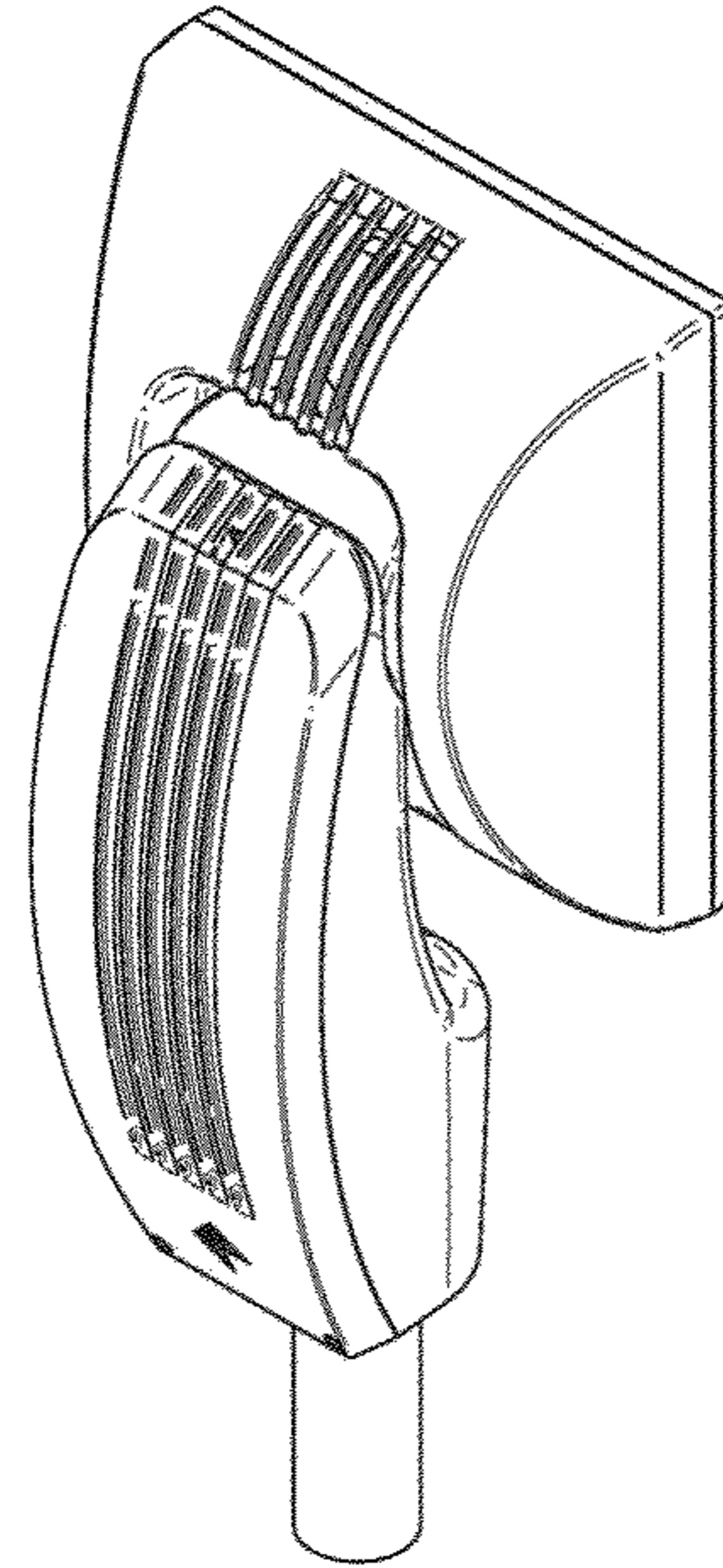


FIG. 2

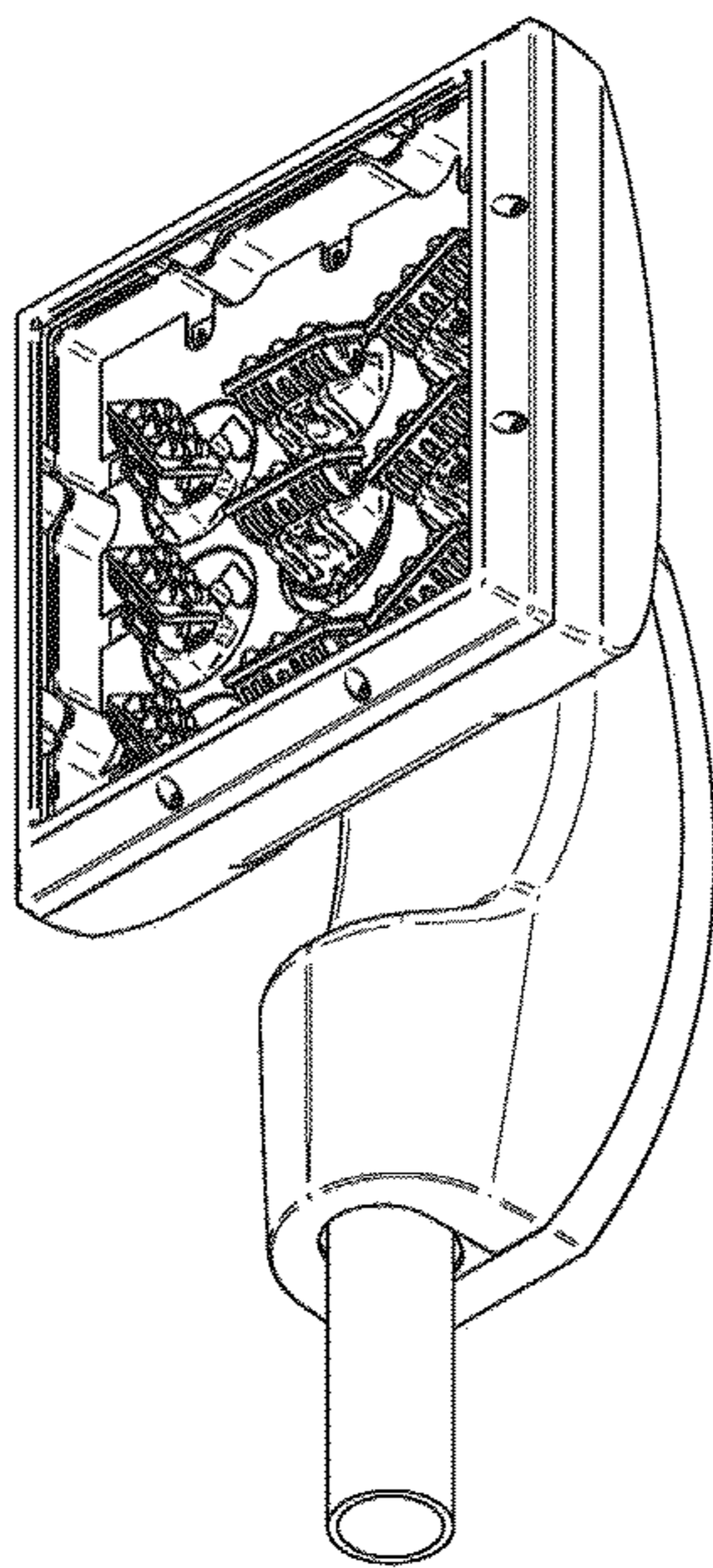


FIG. 3

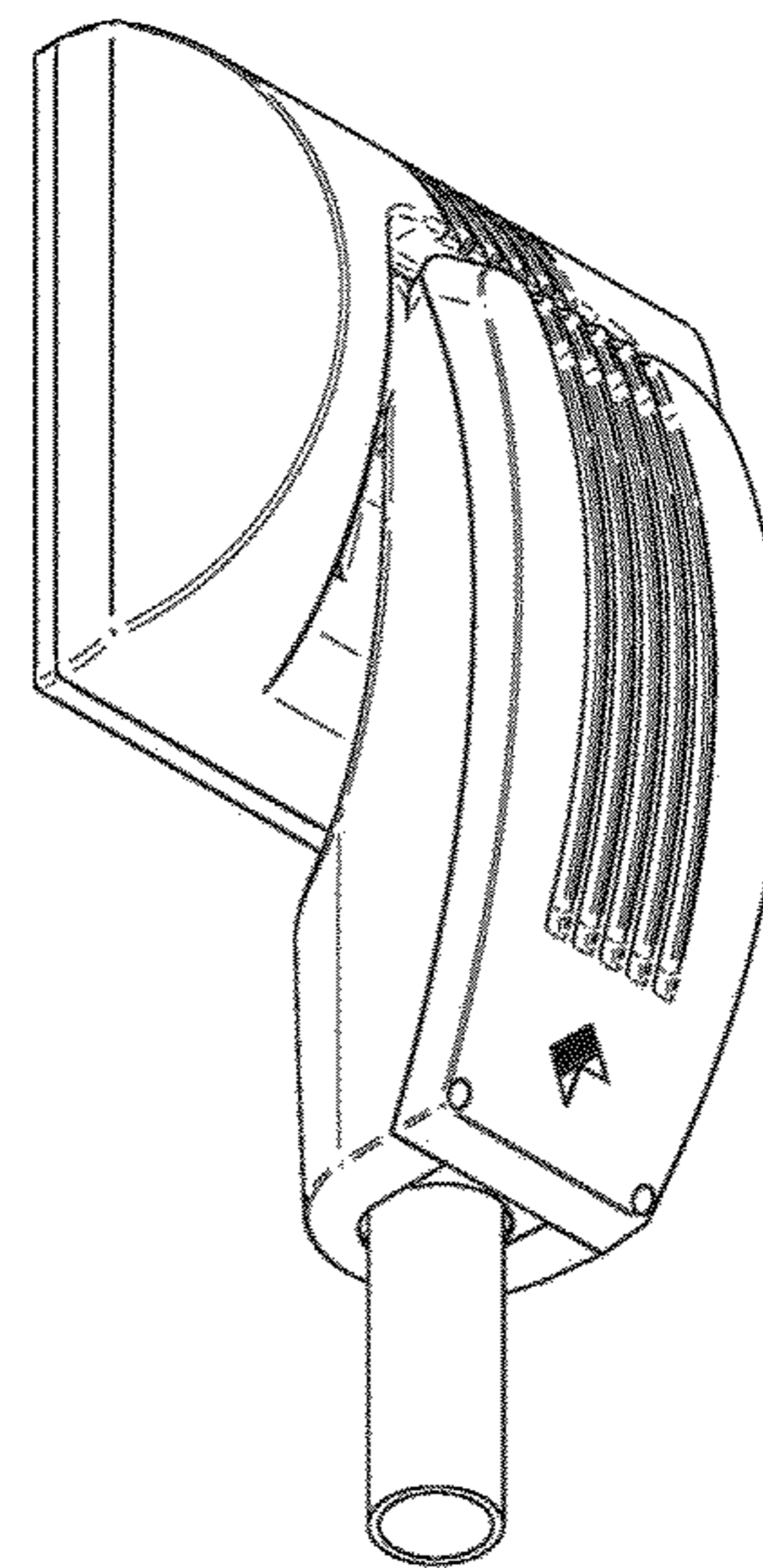


FIG. 4

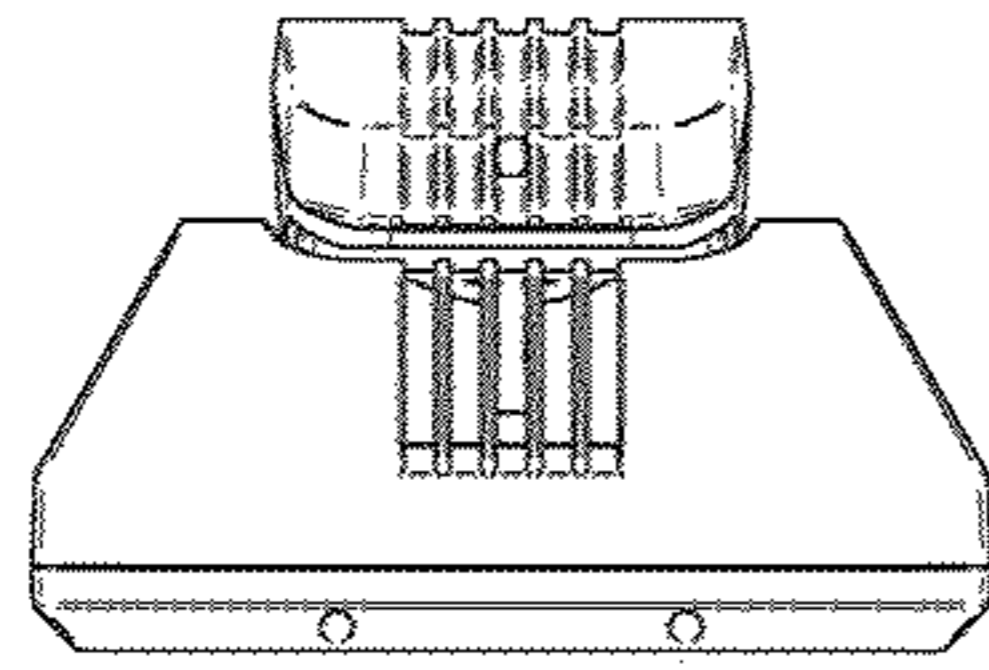


FIG. 5

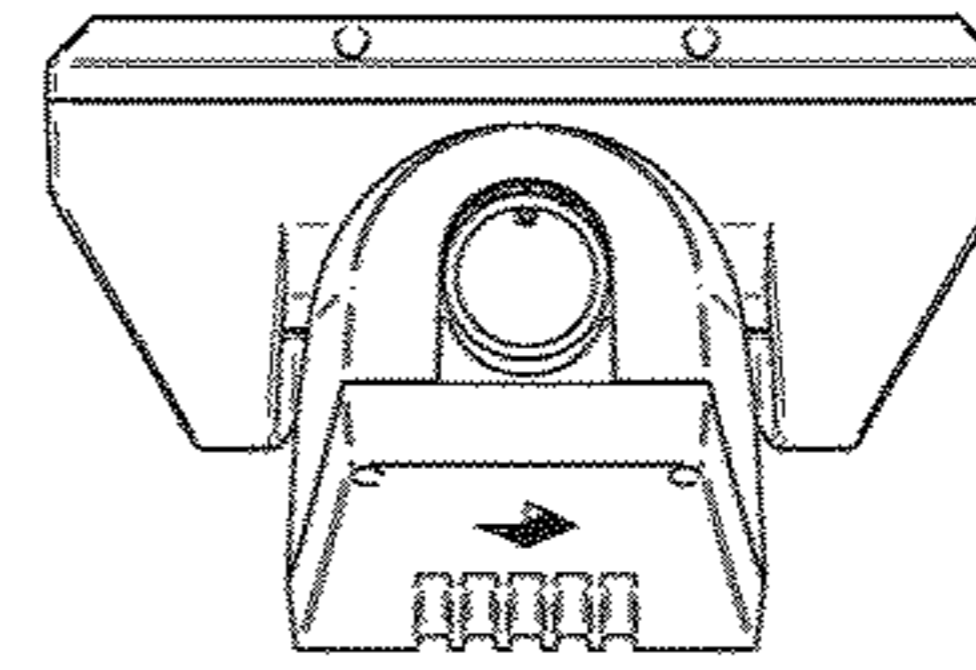


FIG. 6

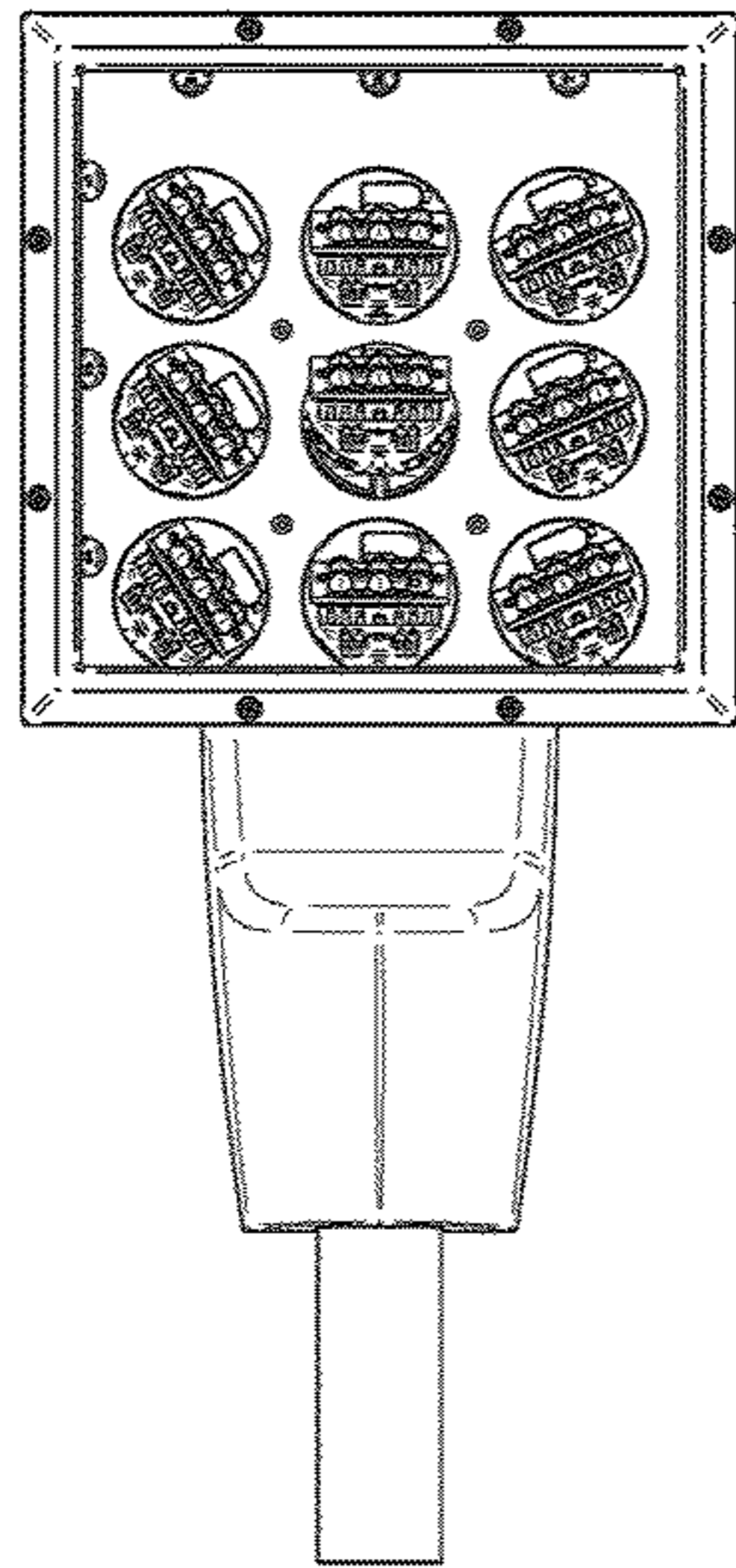


FIG. 7

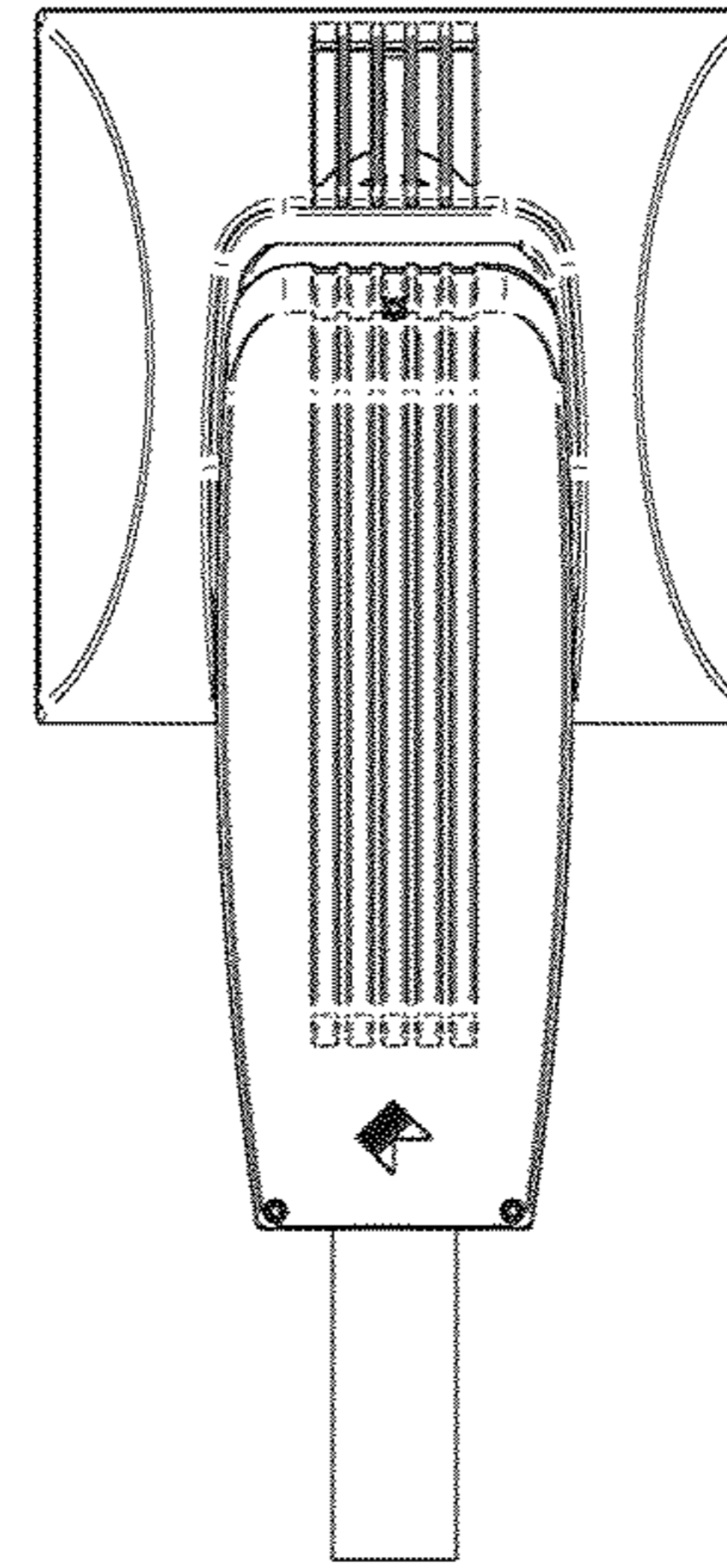


FIG. 8

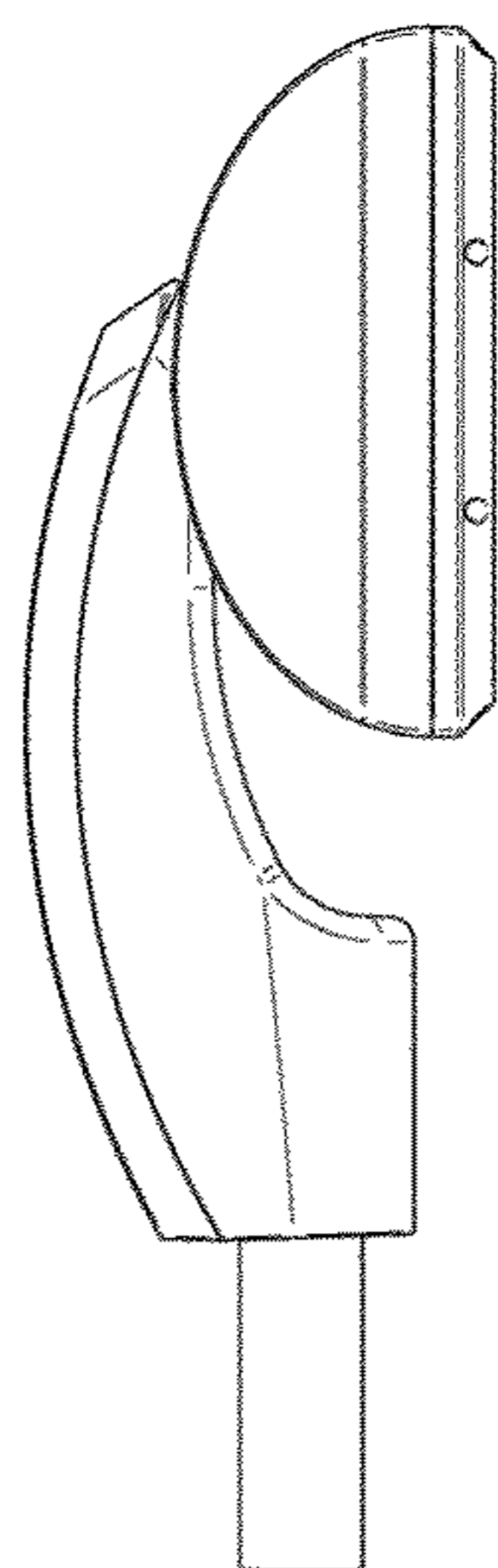


FIG. 9

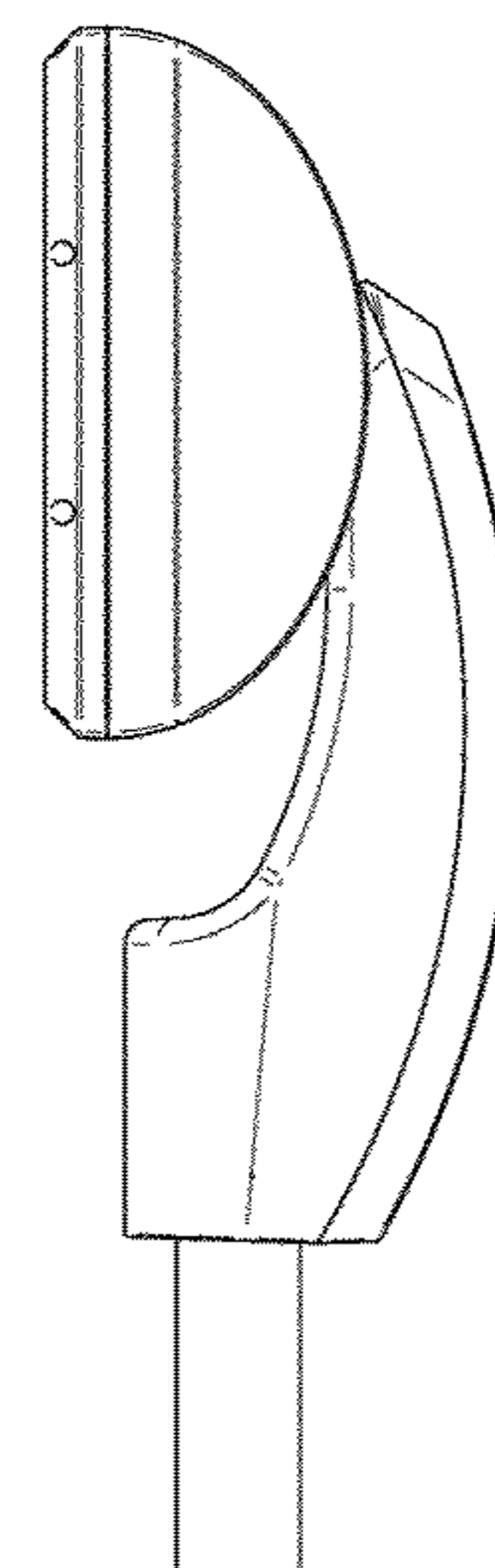


FIG. 10

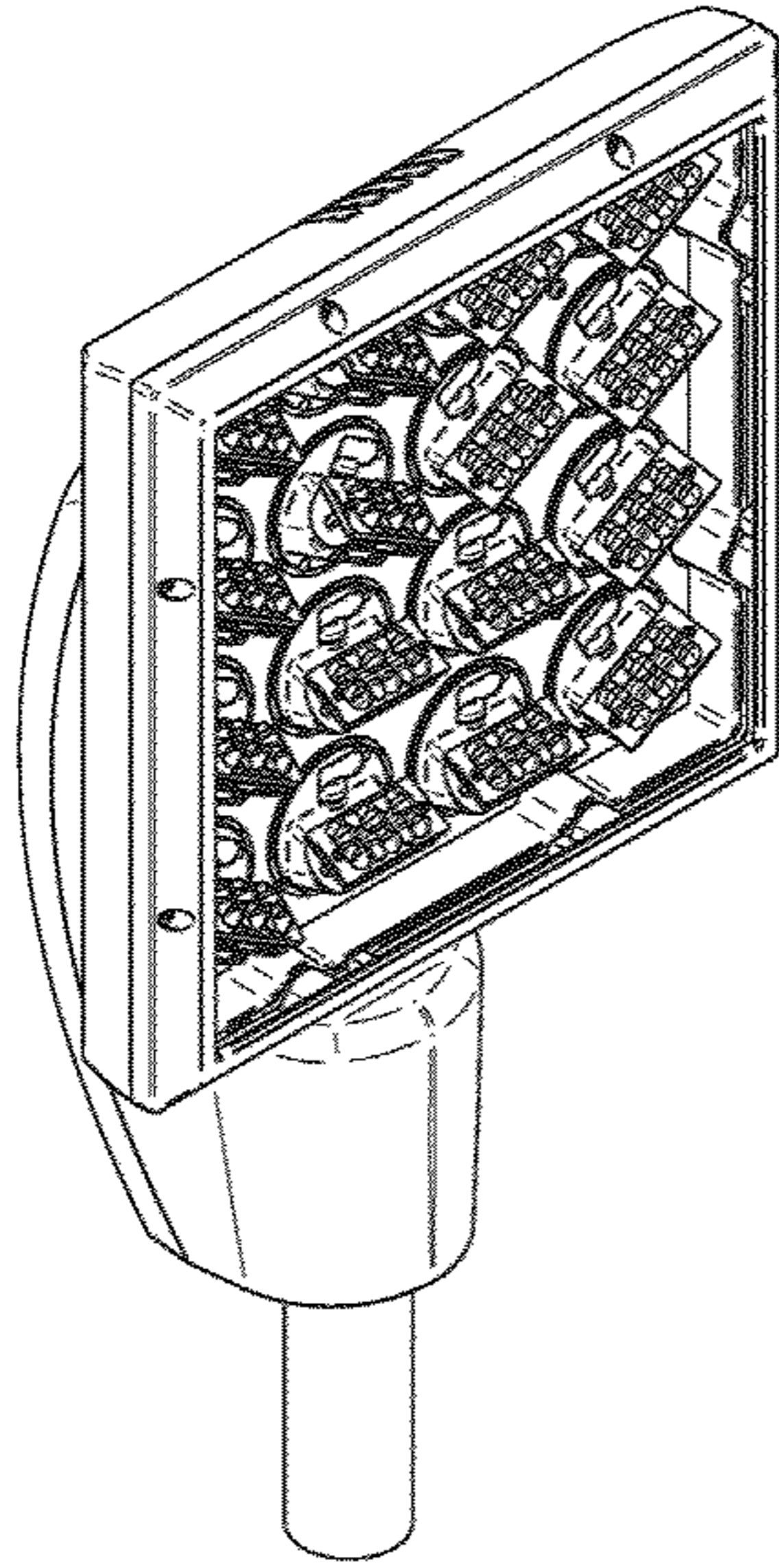


FIG. 11

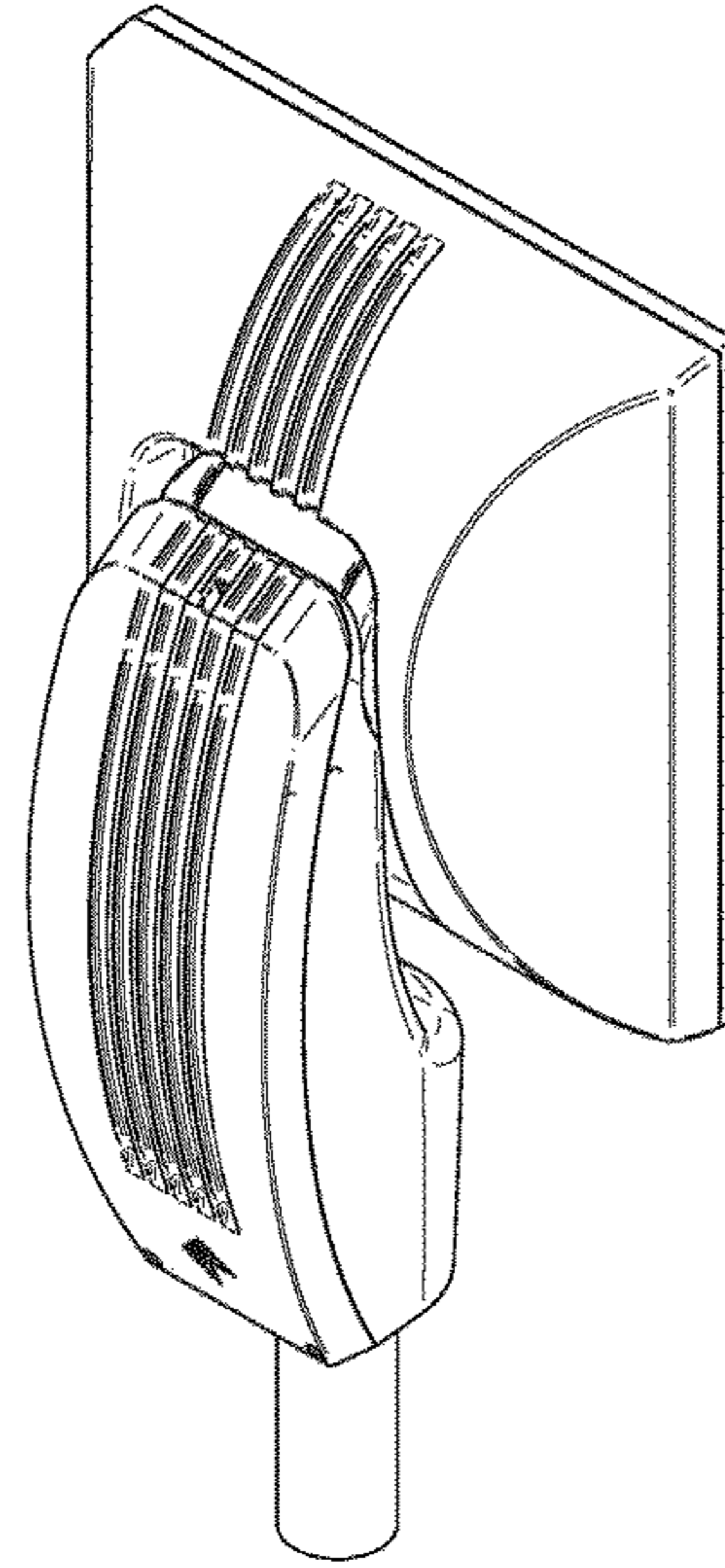


FIG. 12

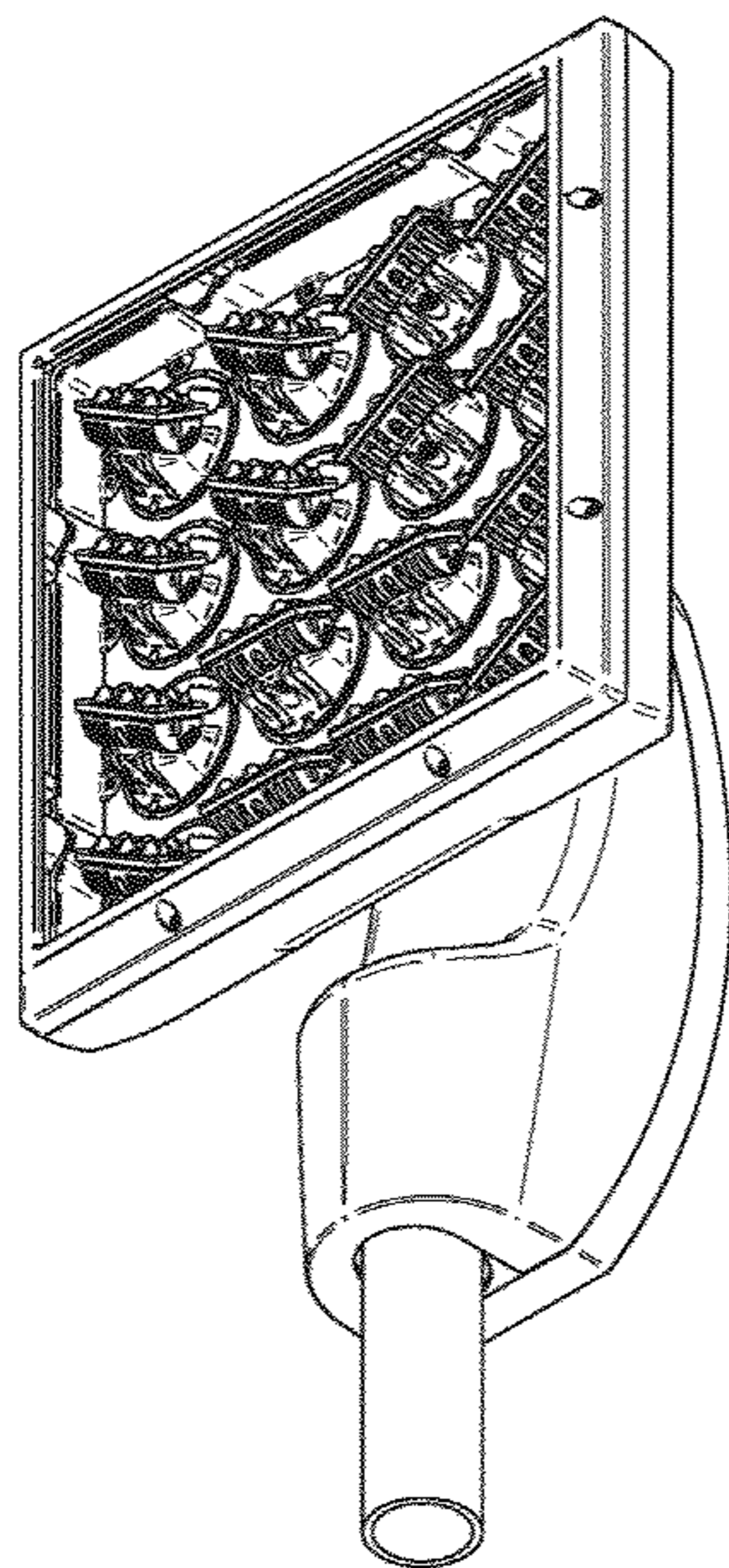


FIG. 13

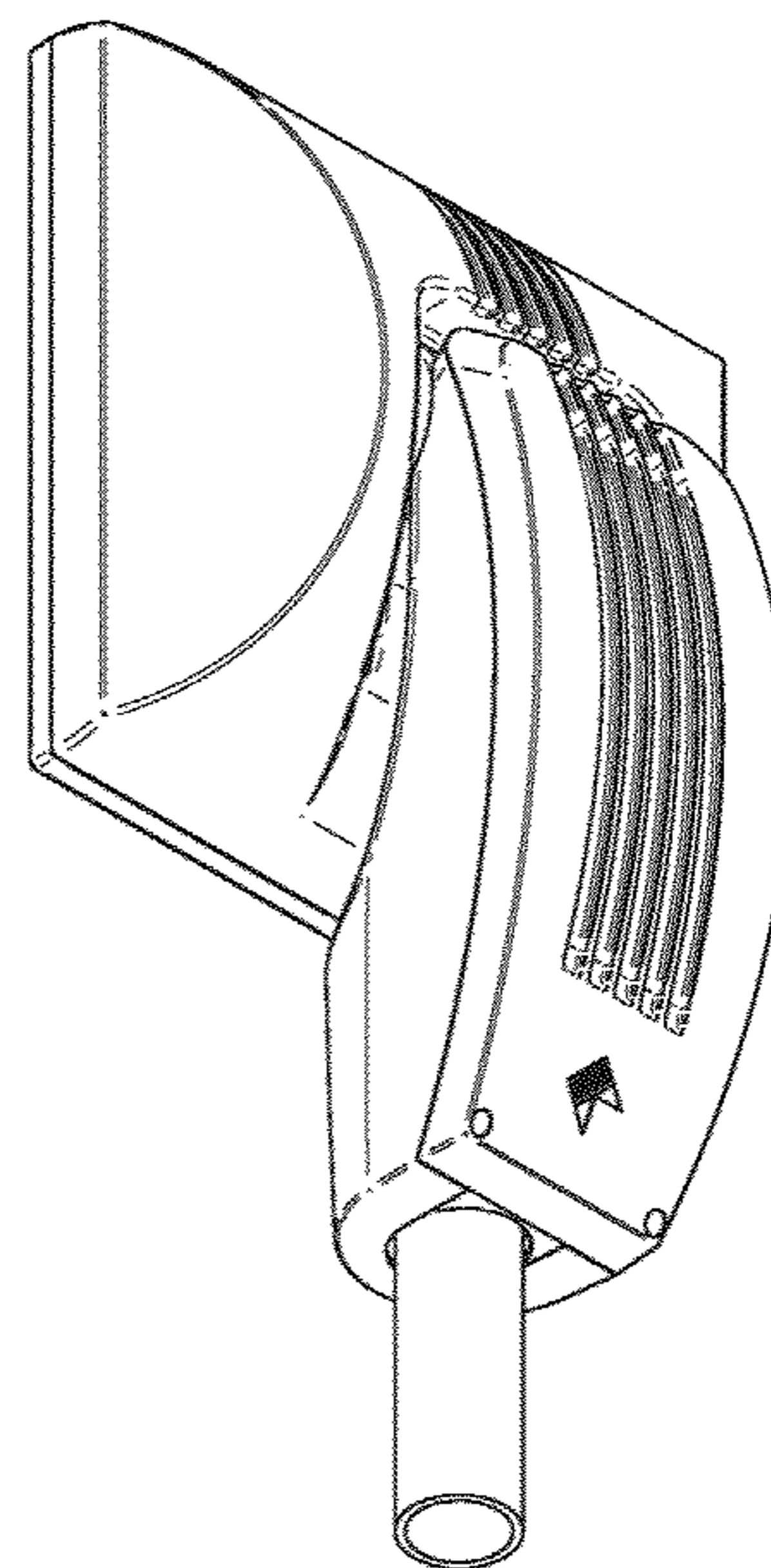


FIG. 14

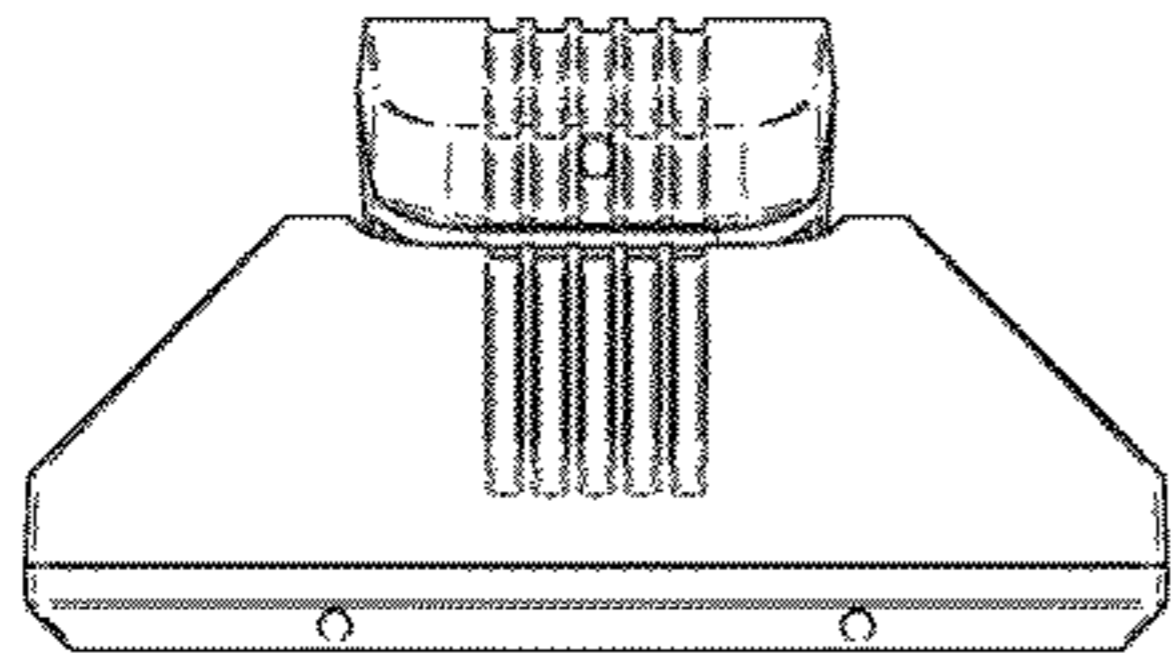


FIG. 15

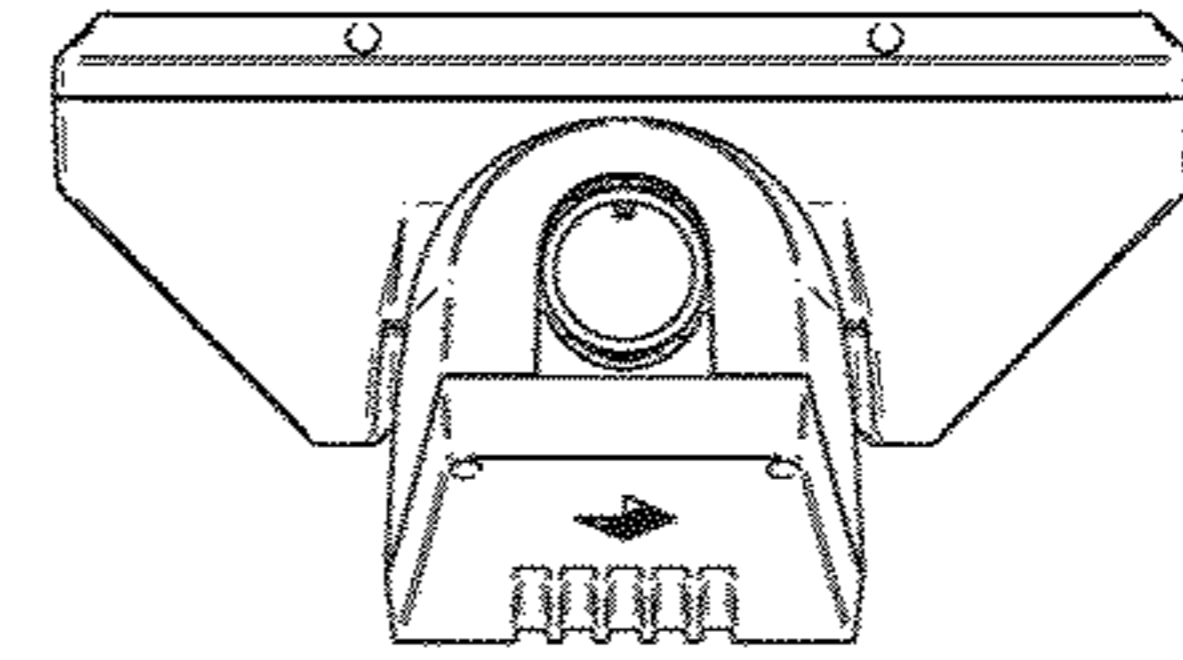


FIG. 16

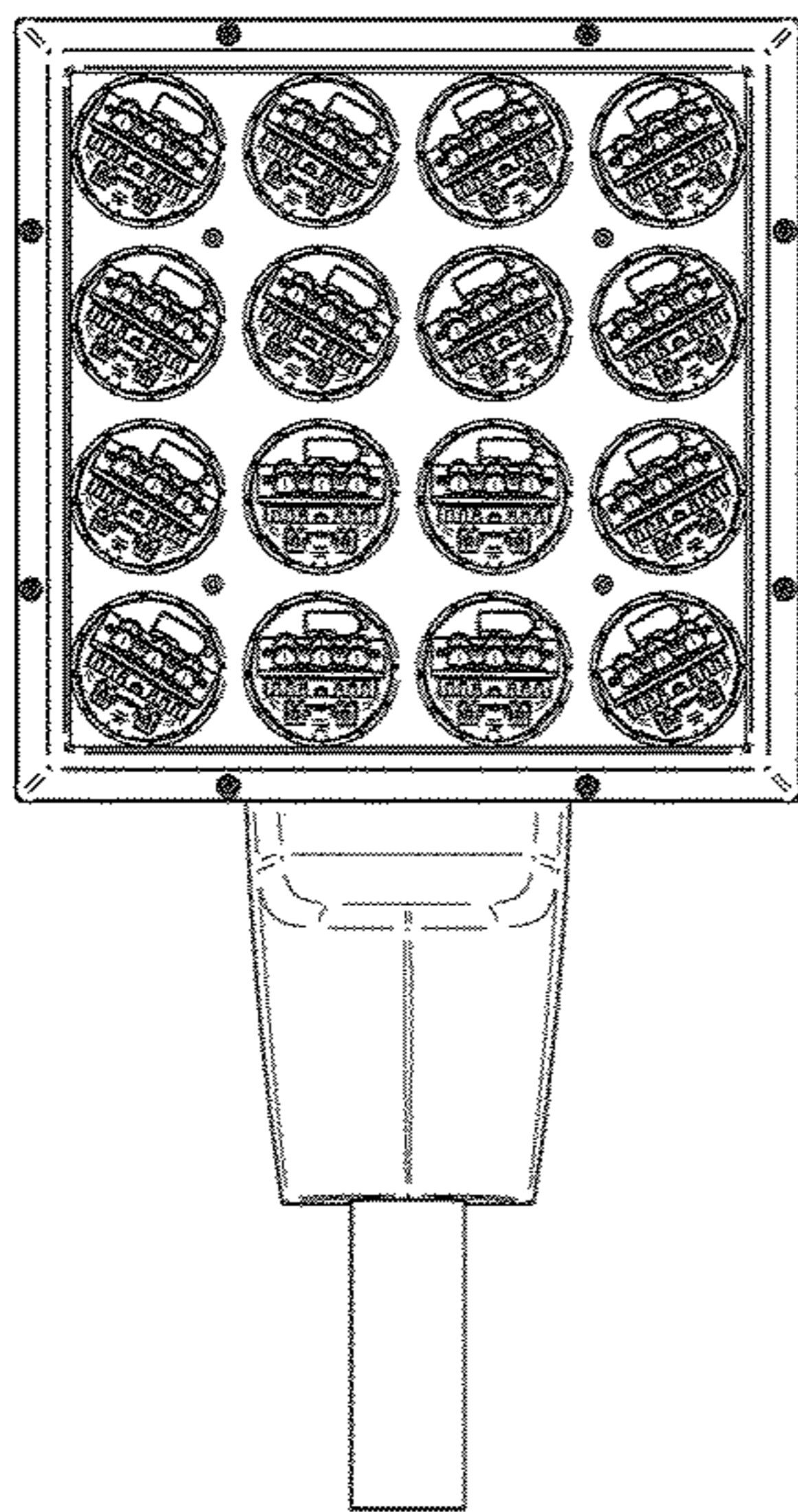


FIG. 17

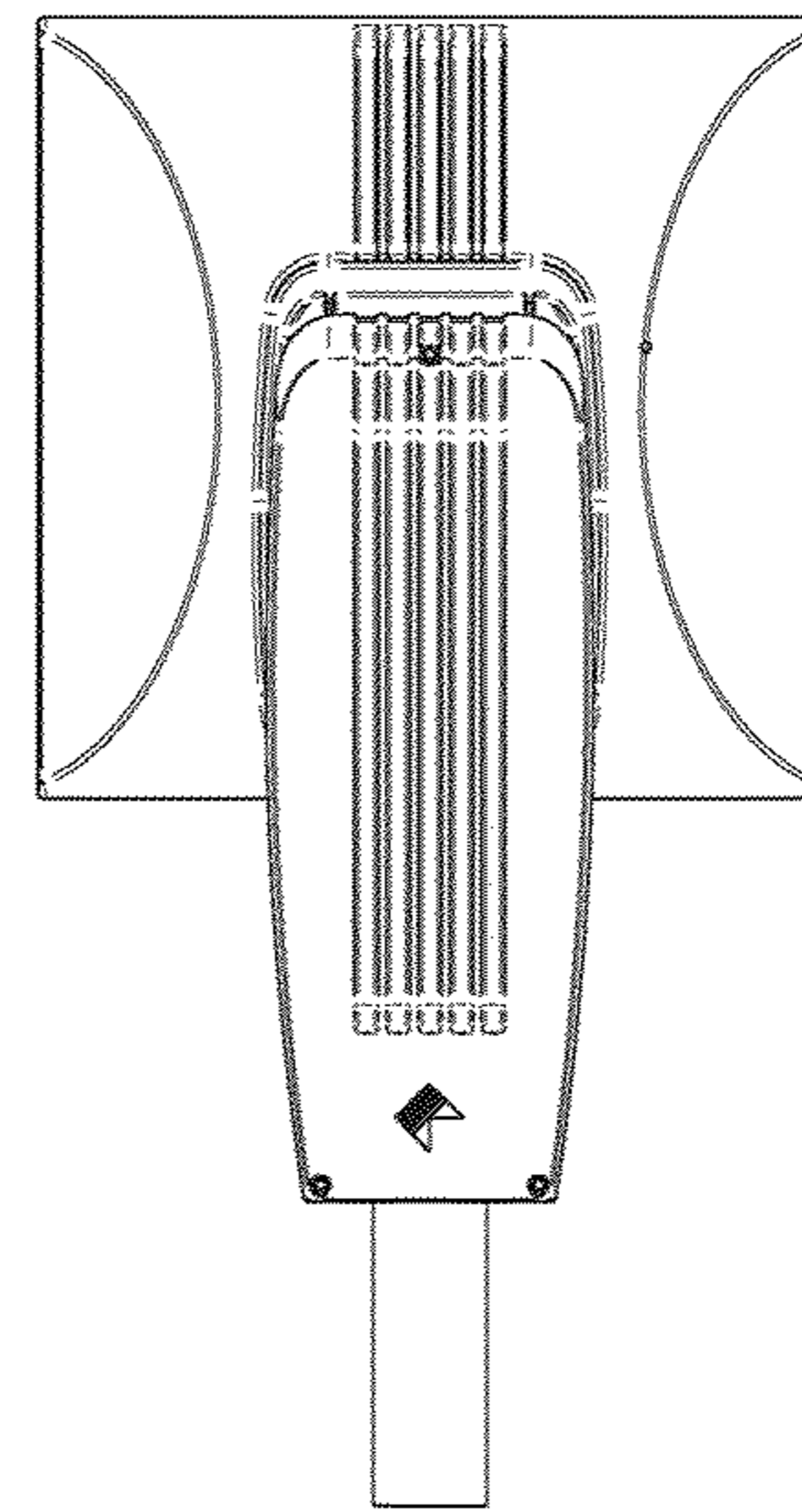


FIG. 18

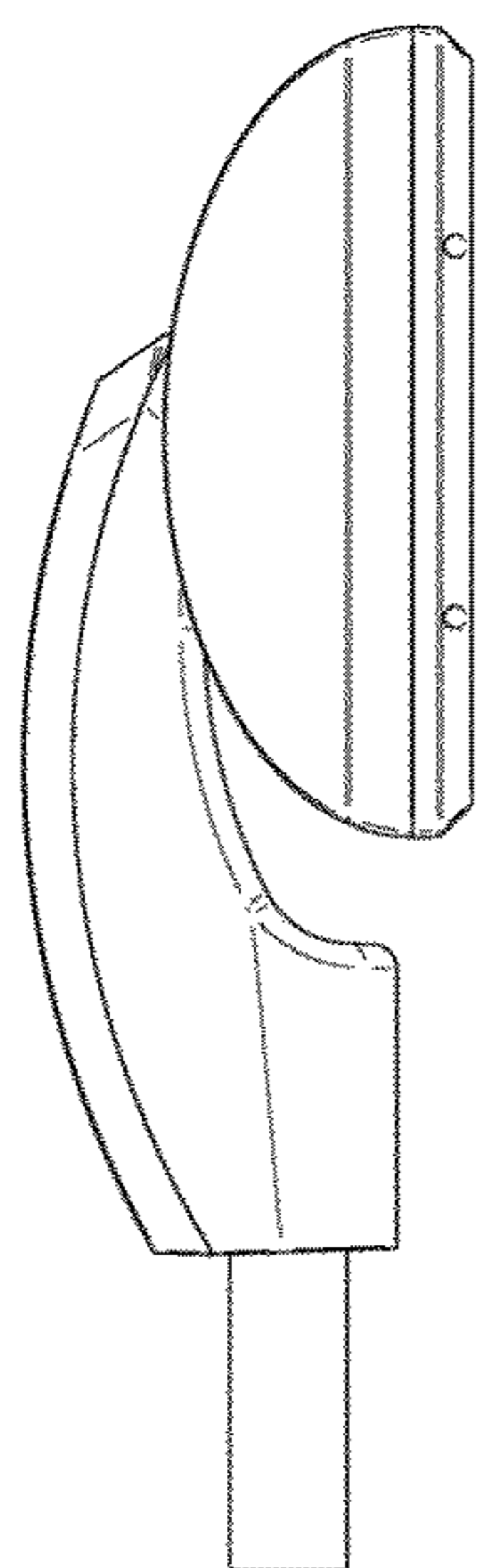


FIG. 19

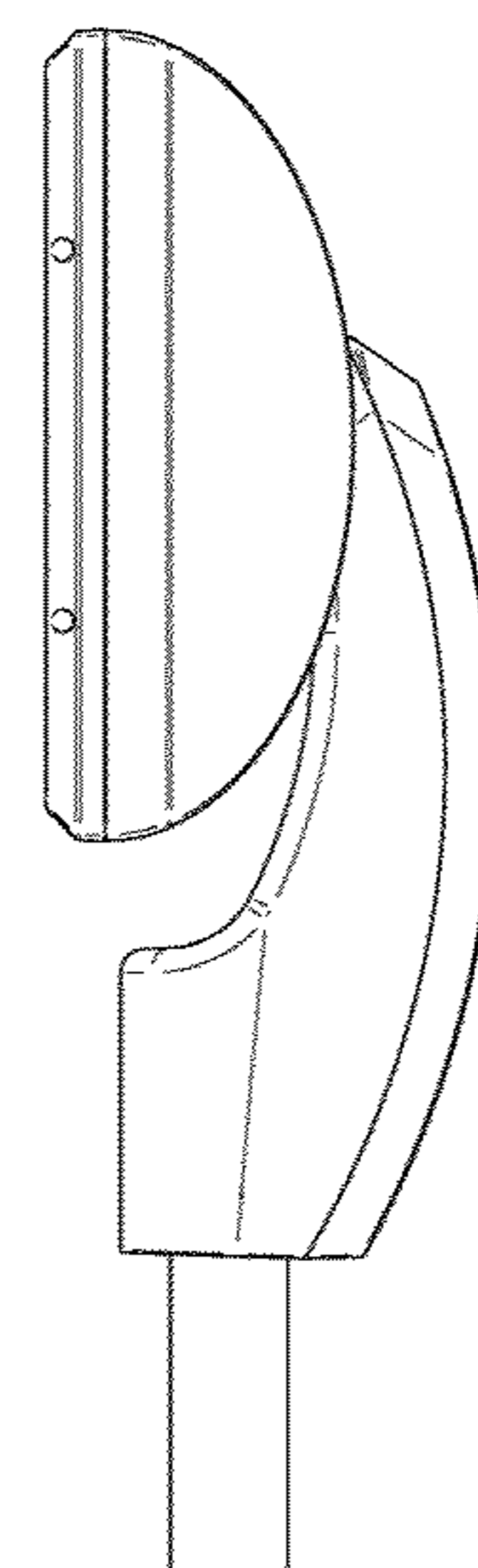


FIG. 20

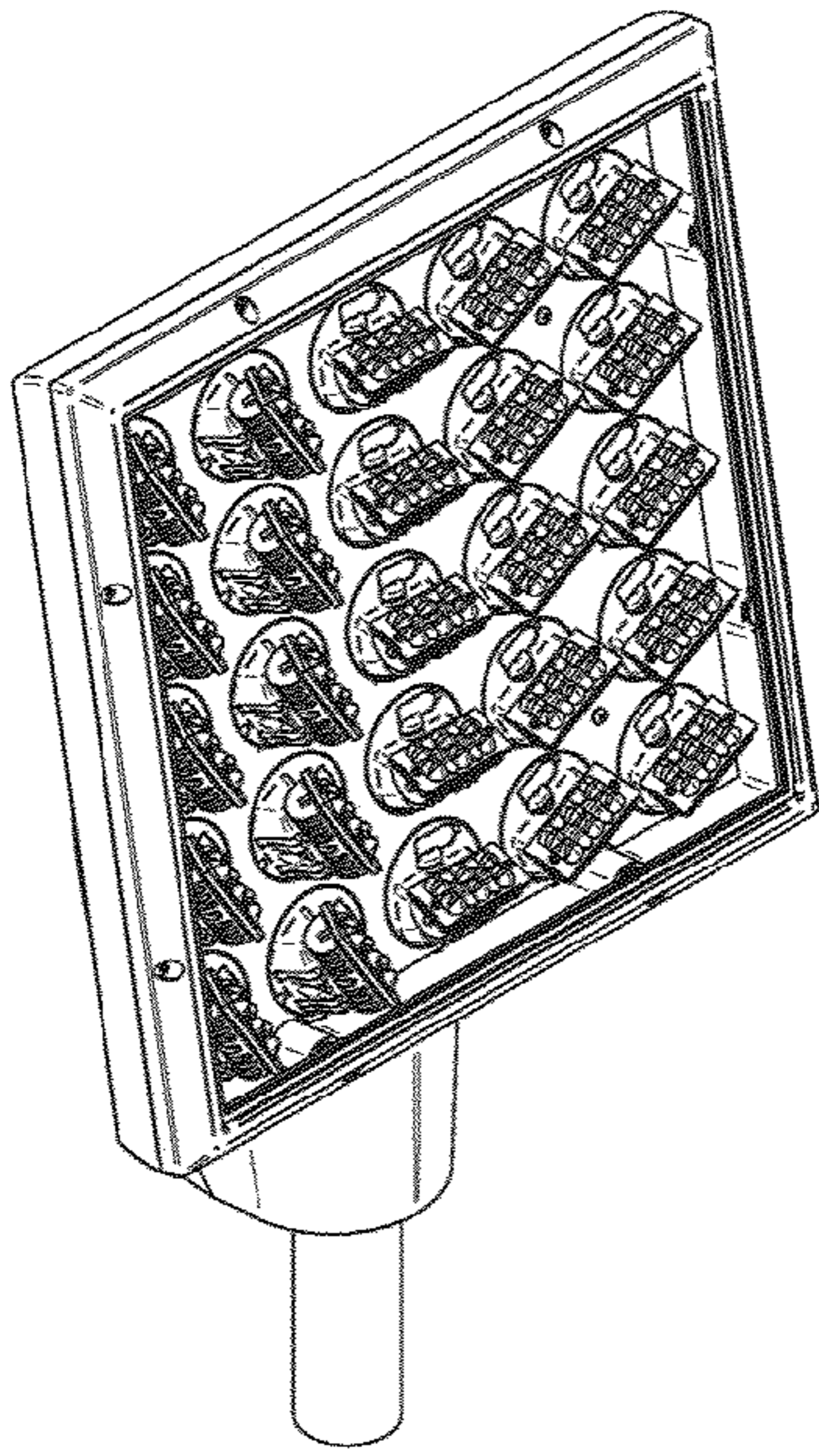


FIG. 21

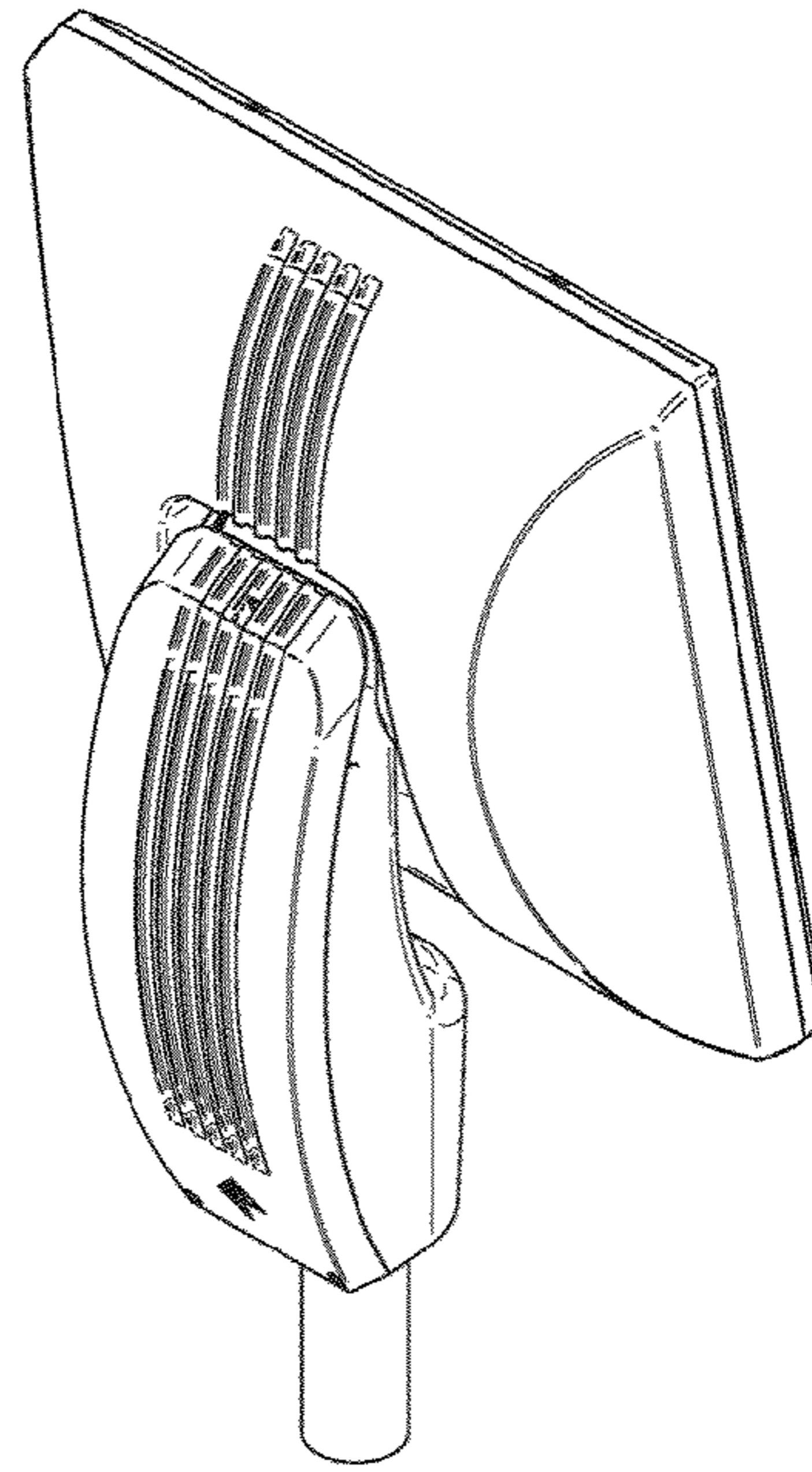


FIG. 22

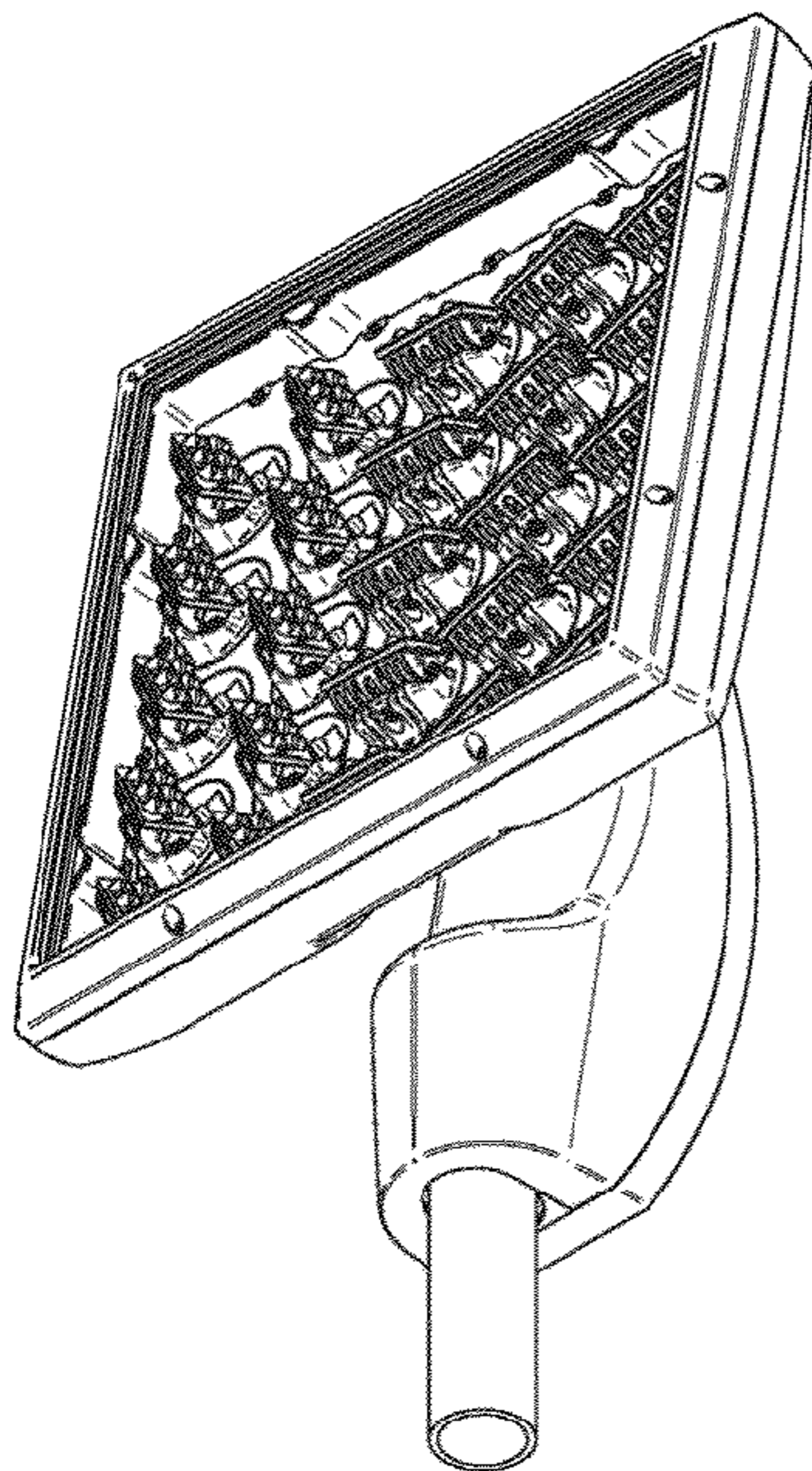


FIG. 23

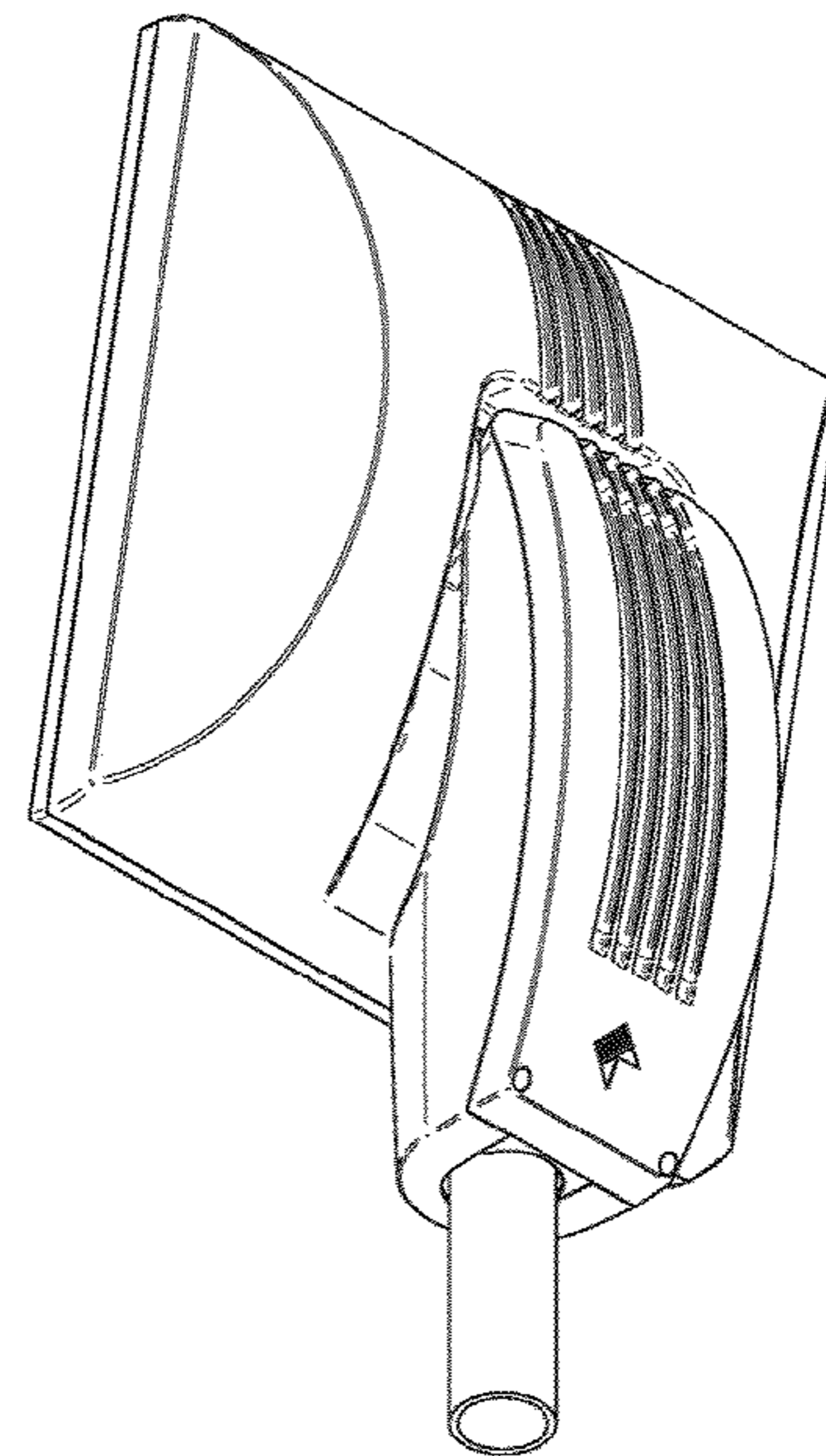


FIG. 24

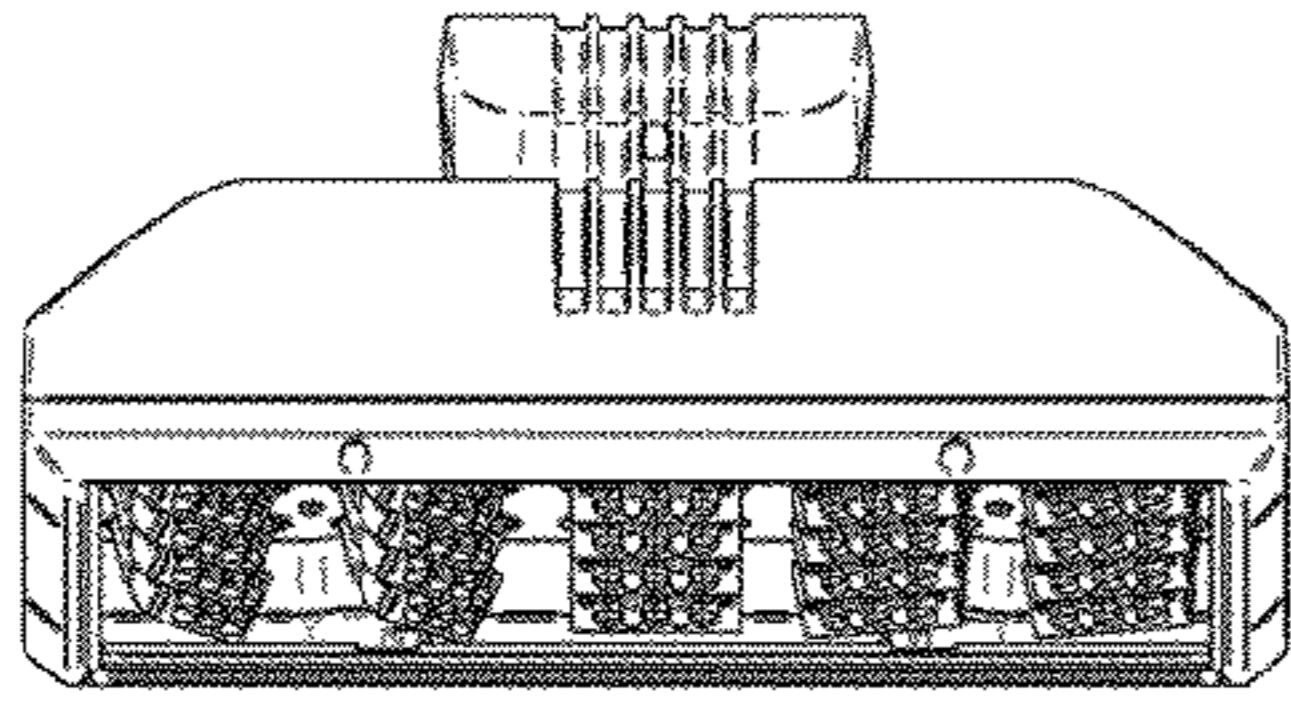


FIG. 25

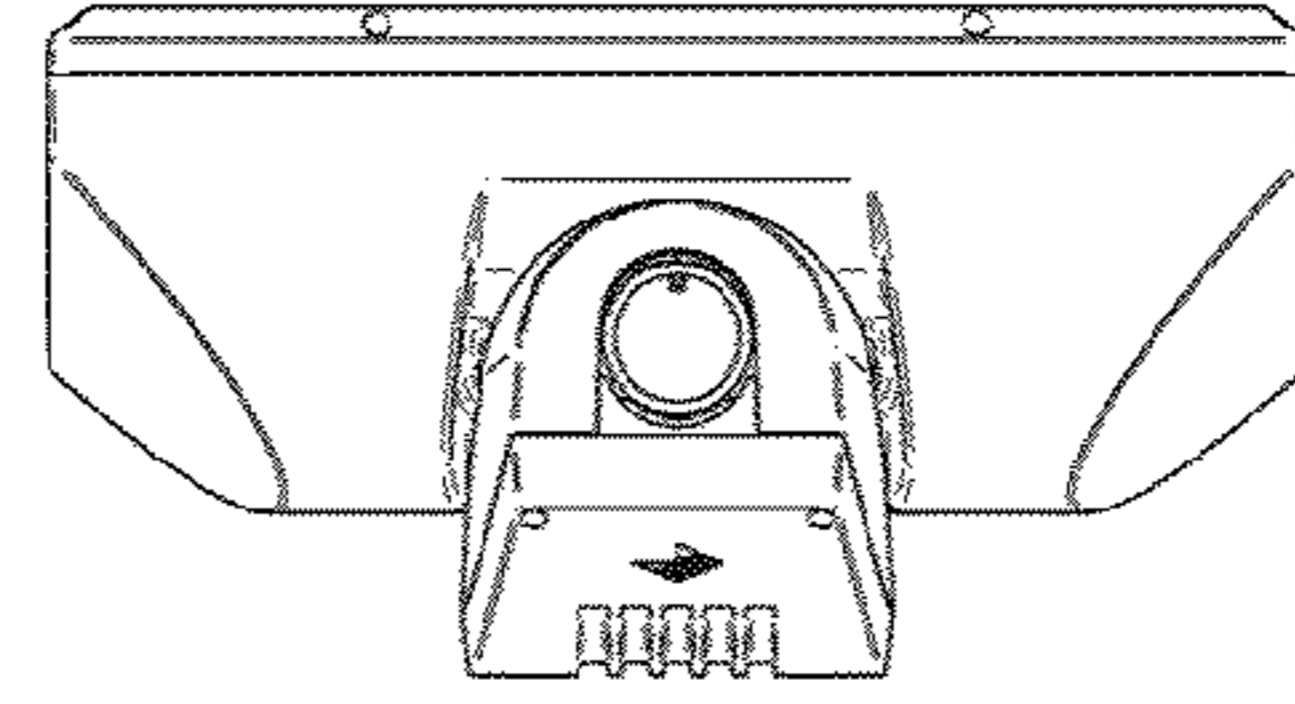


FIG. 26

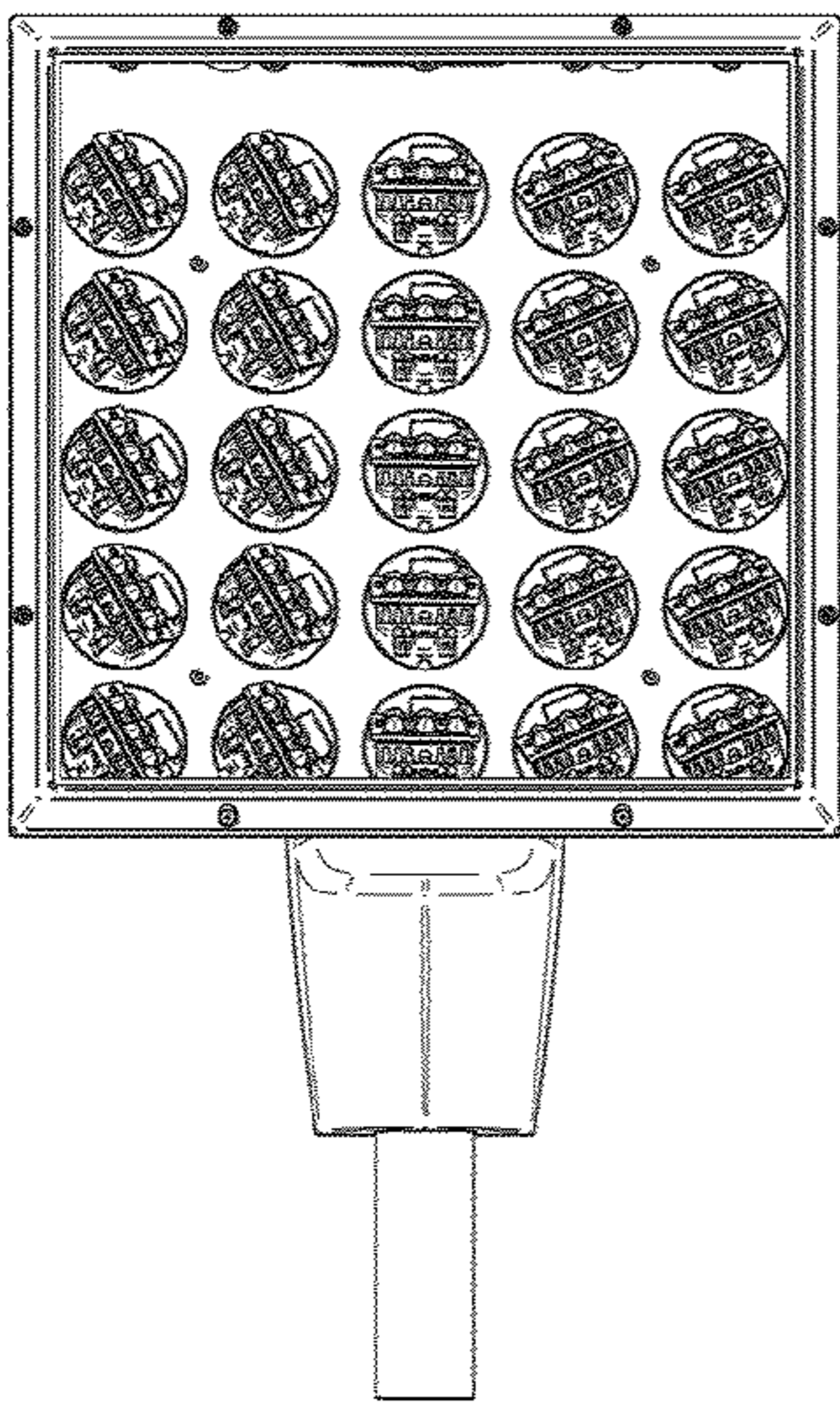


FIG. 27

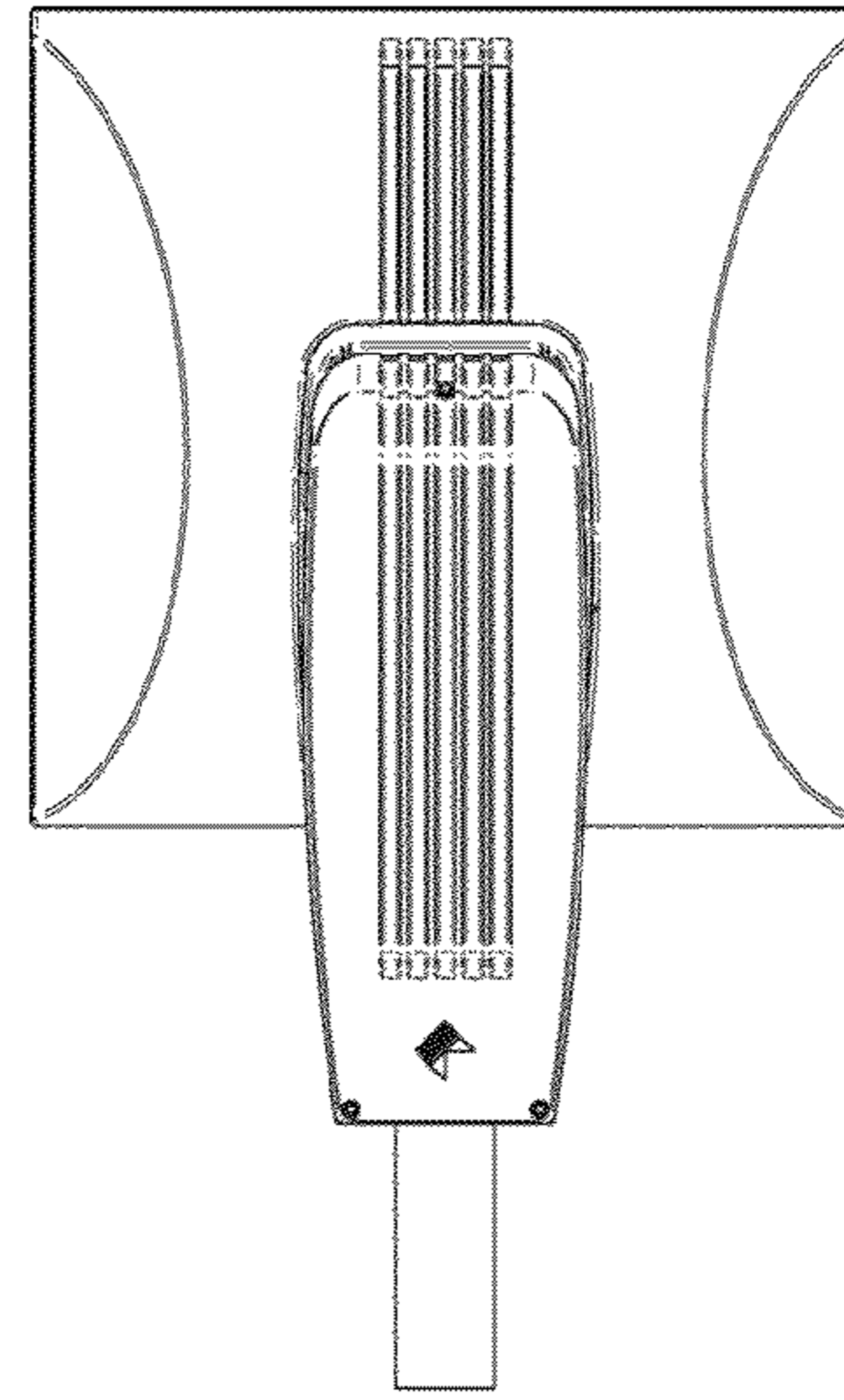


FIG. 28

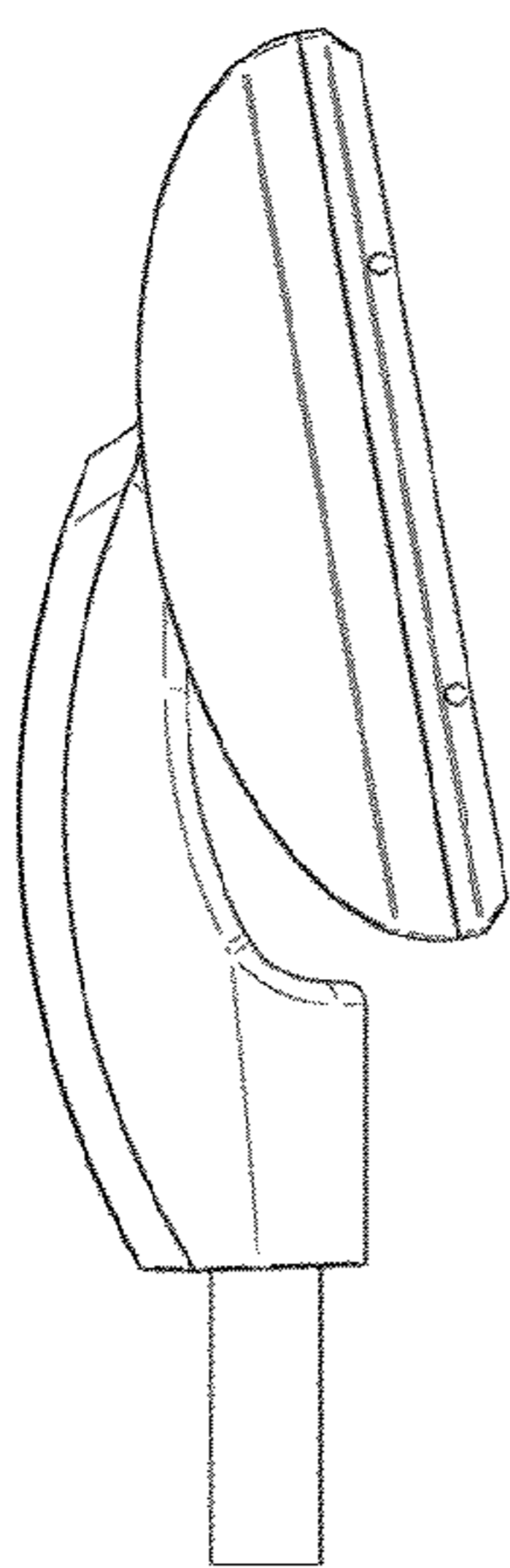


FIG. 29

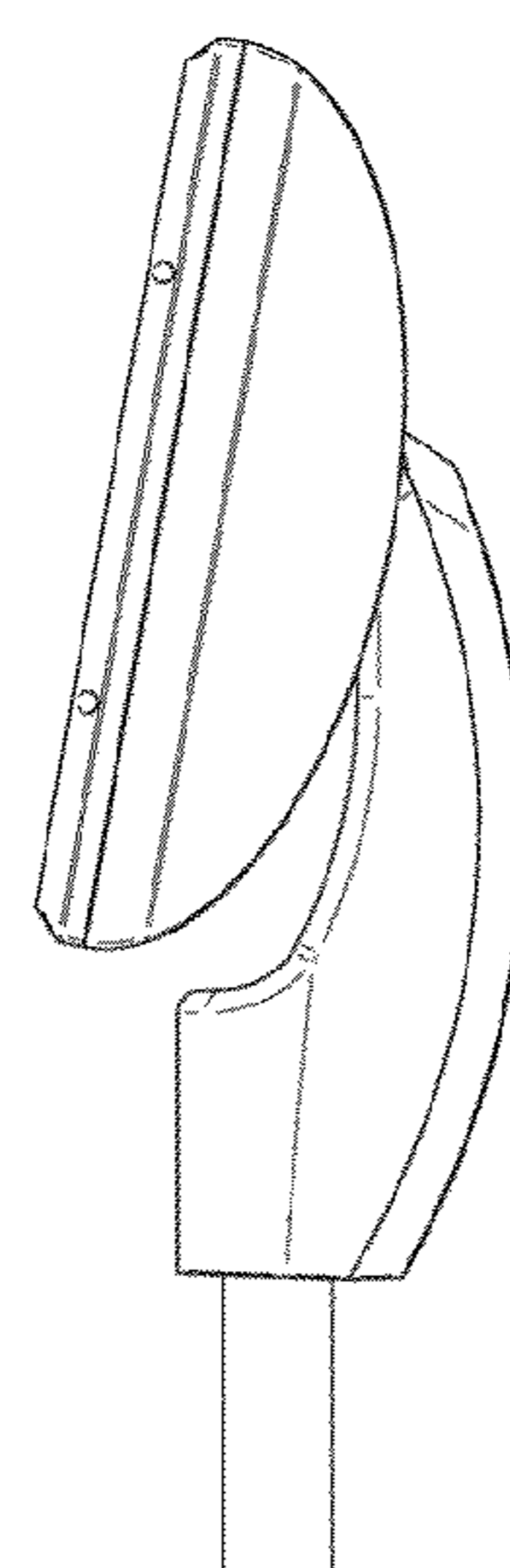


FIG. 30