



US00D736981S

(12) **United States Design Patent**  
**Windom et al.**

(10) **Patent No.:** **US D736,981 S**

(45) **Date of Patent:** **\*\* Aug. 18, 2015**

(54) **FLASHLIGHT**

(71) Applicant: **Coast Cutlery Co.**, Portland, OR (US)

(72) Inventors: **Gregory David Windom**, Portland, OR (US); **David C. Brands**, Portland, OR (US); **David Lewin**, Portland, OR (US)

(73) Assignee: **Coast Cutlery Co.**, Portland, OR (US)

(\*\*) Term: **14 Years**

(21) Appl. No.: **29/476,561**

(22) Filed: **Dec. 13, 2013**

(51) **LOC (10) Cl.** ..... **26-02**

(52) **U.S. Cl.**  
USPC ..... **D26/49**

(58) **Field of Classification Search**  
USPC ..... D26/37, 40, 41, 46, 49; 362/157, 158, 362/183, 184, 194-196, 200-208, 253  
CPC ..... F21L 2/00; F21L 4/00; F21L 4/005; F21L 17/00; F21L 13/08; F21Y 2101/00; F21V 21/30; F21V 21/406; F21W 2131/406; F21W 2131/407  
See application file for complete search history.

(56) **References Cited**

**U.S. PATENT DOCUMENTS**

D554,281 S \* 10/2007 Bushee et al. .... D26/37  
D554,787 S \* 11/2007 Shiu ..... D26/49  
D557,845 S \* 12/2007 Yang ..... D26/49

D570,511 S \* 6/2008 Shiu ..... D26/49  
D577,845 S \* 9/2008 Shiu ..... D26/49  
D595,439 S \* 6/2009 Haight et al. .... D26/49  
D629,542 S \* 12/2010 Robinson ..... D26/49  
D685,939 S \* 7/2013 Cooper ..... D26/49  
D703,358 S \* 4/2014 Shiu ..... D26/49  
D709,234 S \* 7/2014 Inskeep ..... D26/49  
D710,526 S \* 8/2014 Lee ..... D26/49

\* cited by examiner

*Primary Examiner* — Ian Simmons

*Assistant Examiner* — Carissa C Fitts

(74) *Attorney, Agent, or Firm* — Schwabe Williamson & Wyatt

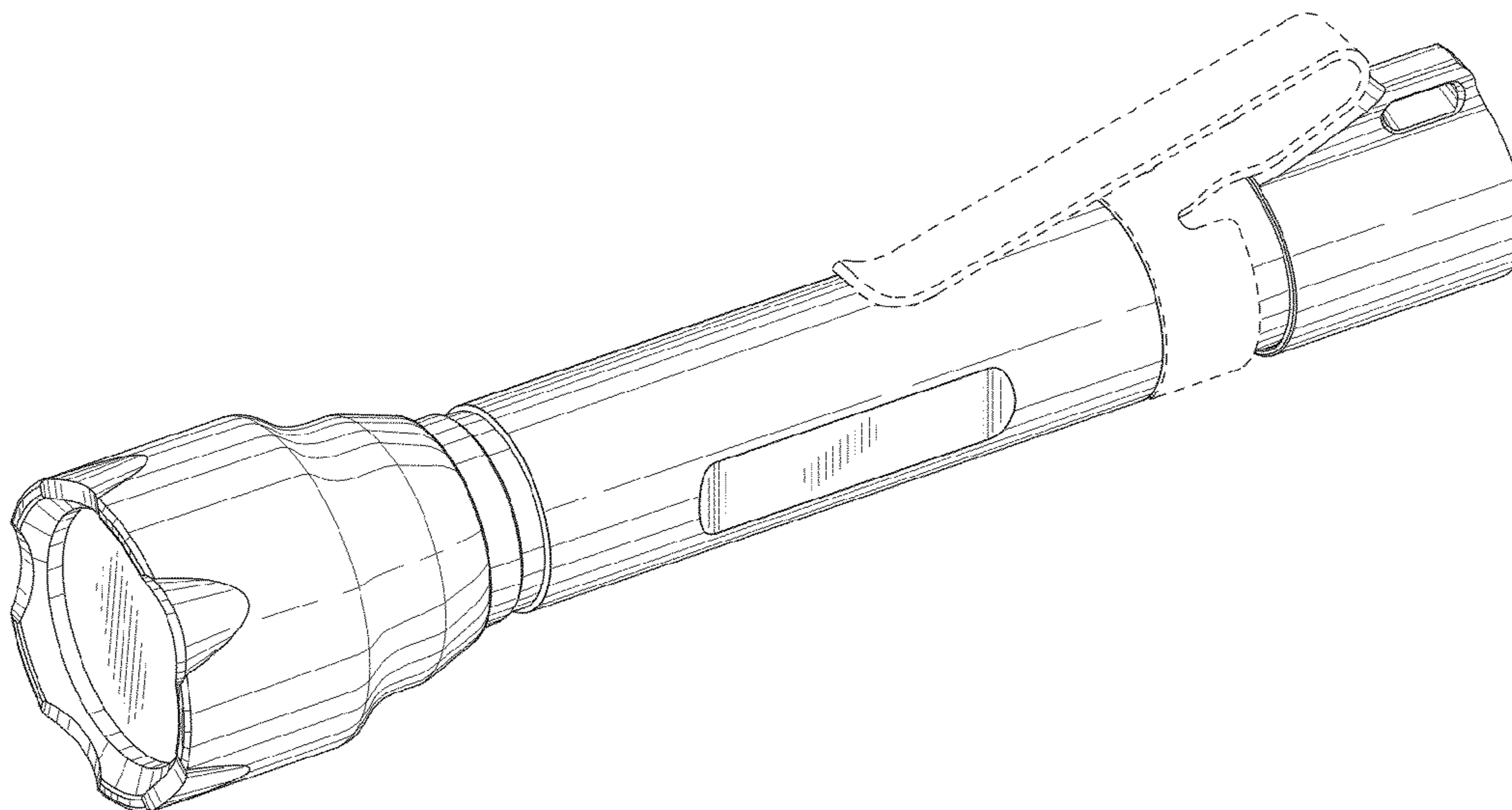
(57) **CLAIM**

The ornamental design for a flashlight, as shown and described.

**DESCRIPTION**

FIG. 1 is a perspective view of the flashlight showing our design;  
FIG. 2 is a top view of the flashlight illustrated in FIG. 1;  
FIG. 3 is a left side view of the flashlight illustrated in FIG. 1 (the right side being a mirror image);  
FIG. 4 is a bottom view of the flashlight illustrated in FIG. 1;  
FIG. 5 is a front view of the flashlight illustrated in FIG. 1; and,  
FIG. 6 is a back view of the flashlight illustrated in FIG. 1.  
The broken line showing in the drawings represents unclaimed portions of the design article and forms no part of the claimed design.

**1 Claim, 1 Drawing Sheet**



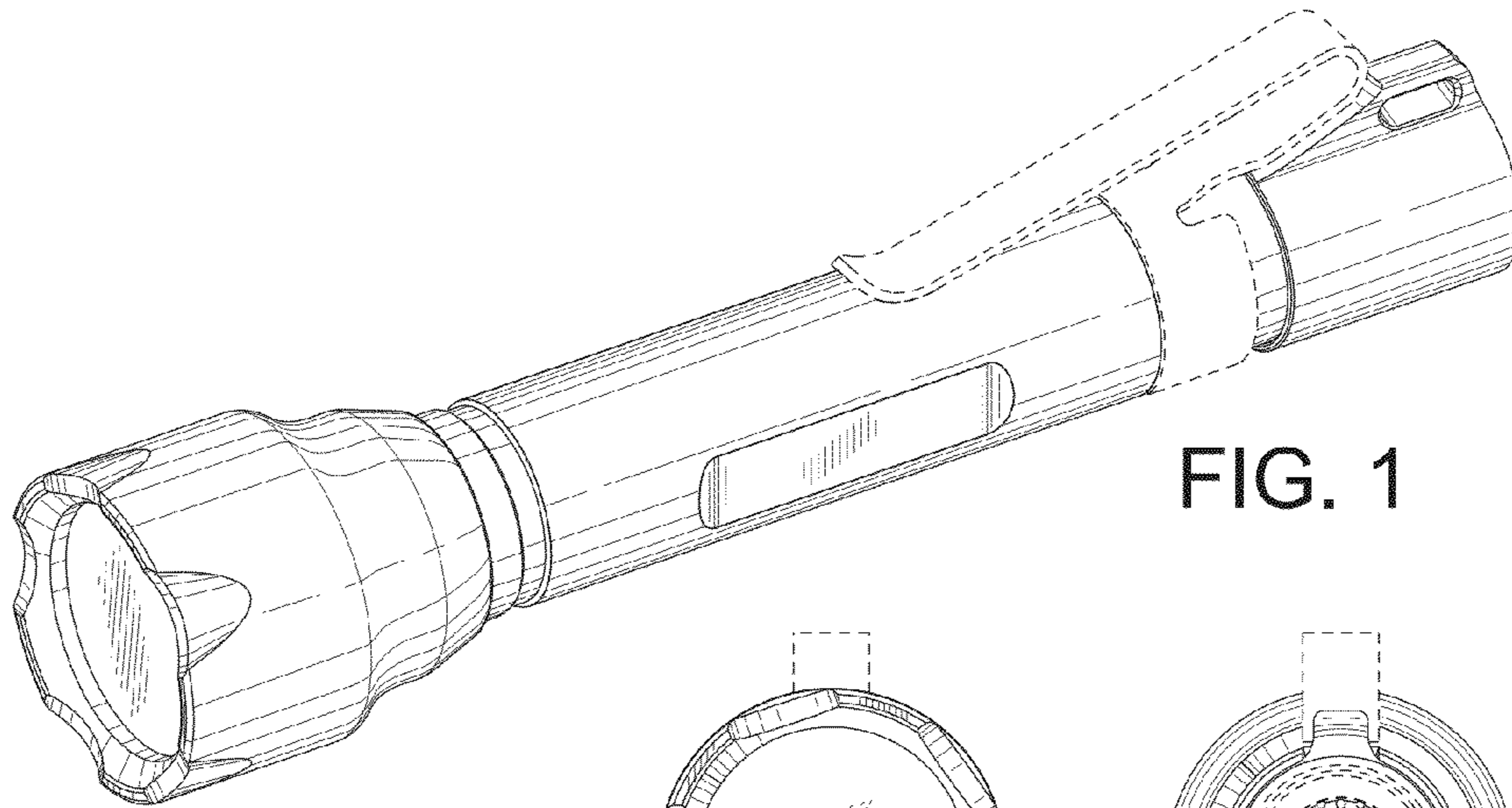


FIG. 1

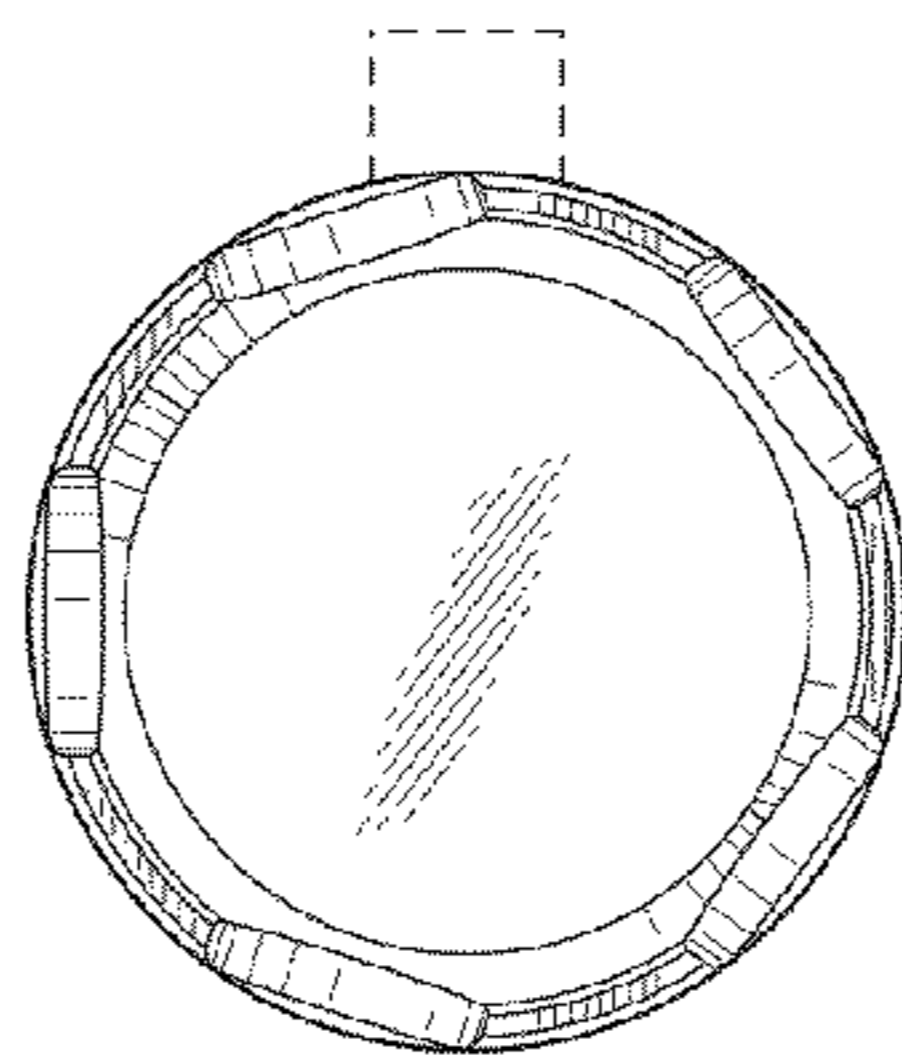


FIG. 5

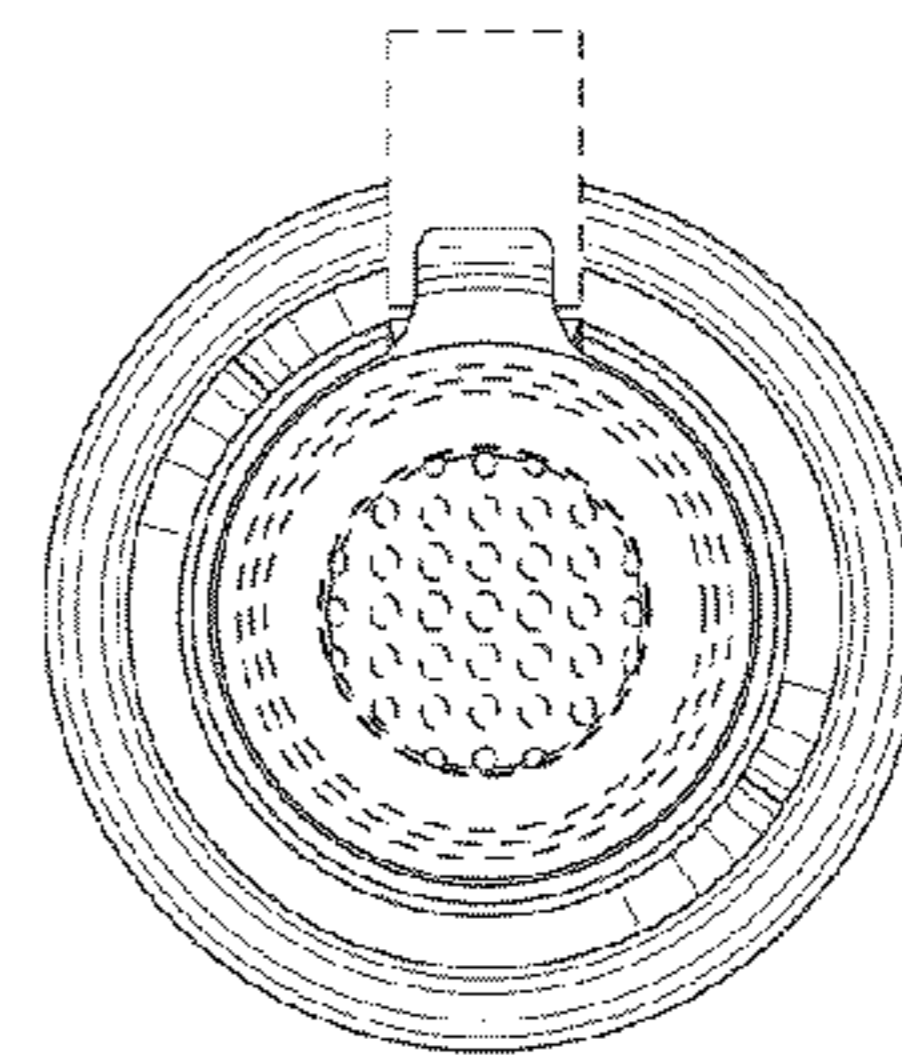


FIG. 6

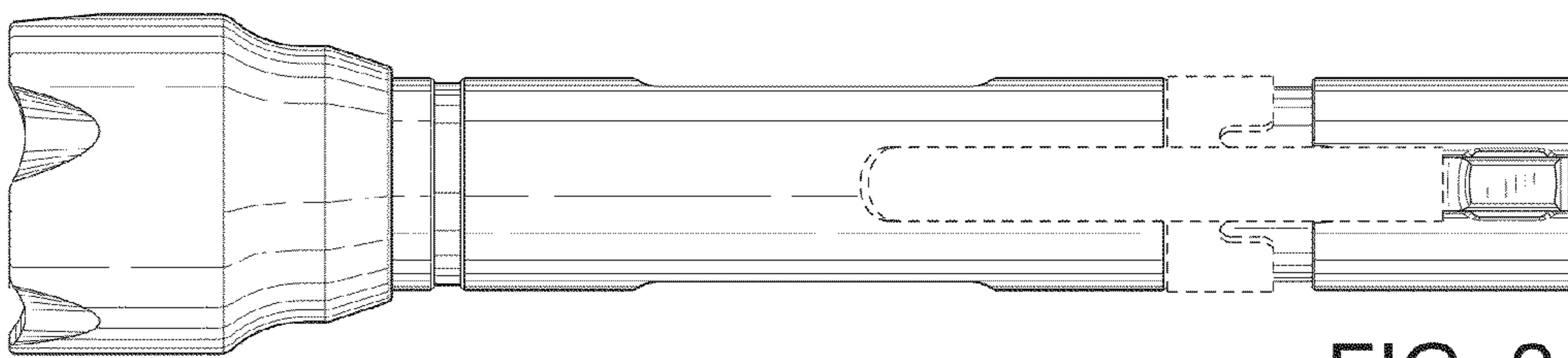


FIG. 2

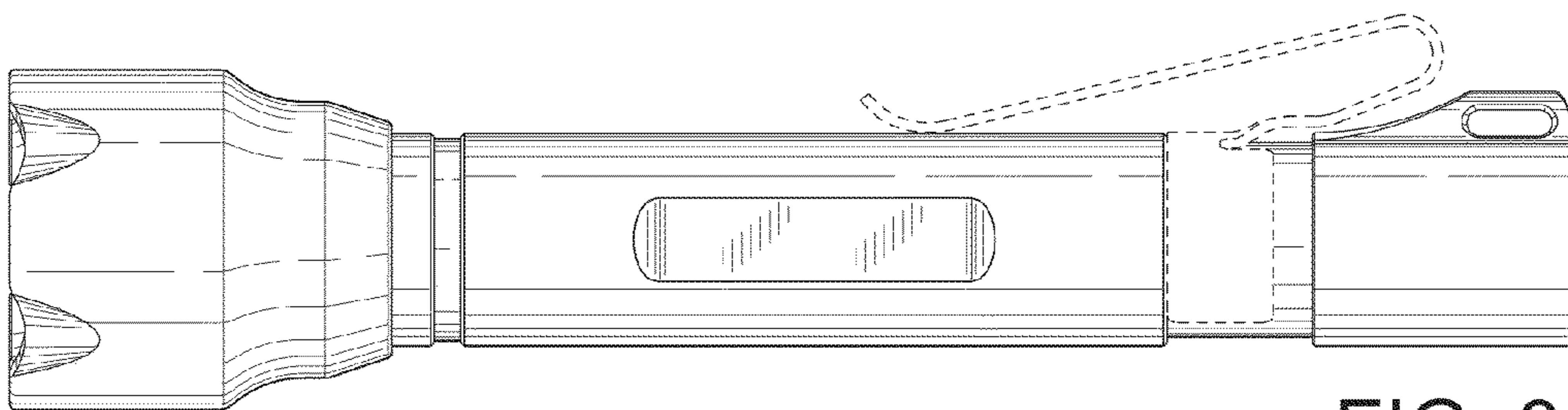


FIG. 3

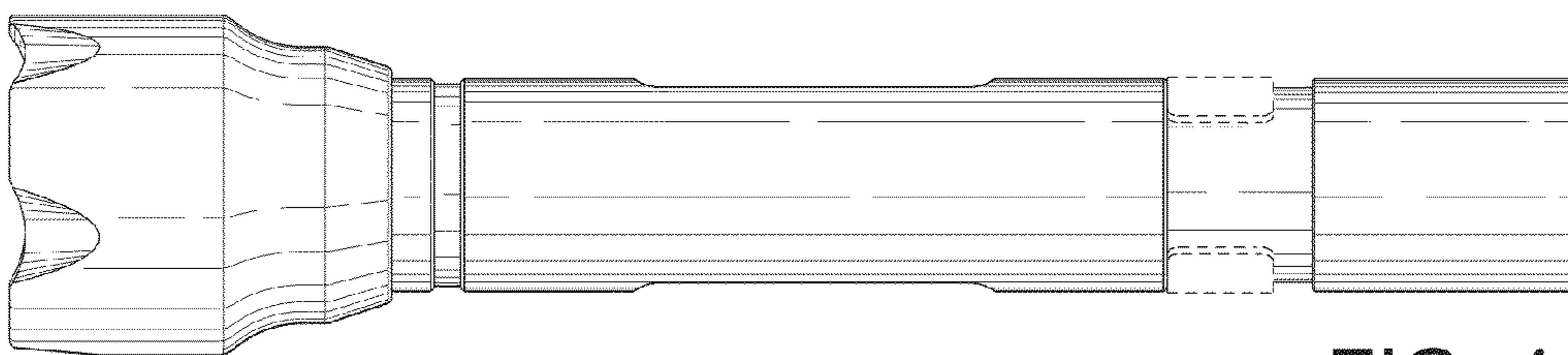


FIG. 4