



US00D736980S

(12) **United States Design Patent**  
**Petzl**

(10) **Patent No.:** **US D736,980 S**

(45) **Date of Patent:** **\*\* Aug. 18, 2015**

(54) **HEADLAMP**

(71) Applicant: **ZEDEL**, Crolles (FR)

(72) Inventor: **Paul Petzl**, Barraux (FR)

(73) Assignee: **Zedel**, Crolles (FR)

(\*\*) Term: **14 Years**

(21) Appl. No.: **29/477,985**

(22) Filed: **Dec. 30, 2013**

(30) **Foreign Application Priority Data**

Jul. 4, 2013 (FR) ..... 002268334-0002

(51) **LOC (10) Cl.** ..... **26-02**

(52) **U.S. Cl.**  
USPC ..... **D26/39**

(58) **Field of Classification Search**  
USPC ..... D26/37, 38, 44, 46, 39; 362/157, 158,  
362/183, 184, 194-196, 200-208, 253, 103,  
362/105, 106  
CPC ..... F21L 2/00; F21L 4/00; F21L 4/005;  
F21L 17/00; F21L 13/08; F21Y 2101/00;  
F21V 21/30; F21V 21/406; F21W 2131/406;  
F21W 2131/407

See application file for complete search history.

(56) **References Cited**

**U.S. PATENT DOCUMENTS**

6,499,859 B2 \* 12/2002 Petzl et al. .... 362/184  
D527,127 S \* 8/2006 Petzl ..... D26/39  
D560,008 S \* 1/2008 Poon ..... D26/39  
D562,475 S \* 2/2008 Hojer ..... D26/28

D566,310 S \* 4/2008 Alessio ..... D26/39  
D576,328 S \* 9/2008 Poon ..... D26/39  
D577,842 S \* 9/2008 Kumthampinij et al. .... D26/39  
D590,083 S \* 4/2009 Petzl ..... D26/39  
D594,582 S \* 6/2009 Petzl ..... D26/39  
D595,883 S \* 7/2009 Petzl ..... D26/39  
D600,379 S \* 9/2009 Petzl ..... D26/39  
D624,221 S \* 9/2010 DeBrunner ..... D26/39  
7,922,349 B2 \* 4/2011 Hunnewell et al. .... 362/157  
D658,323 S \* 4/2012 Freschl ..... D26/39  
8,517,559 B1 \* 8/2013 Freschl ..... 362/192  
D696,803 S \* 12/2013 Kingston et al. .... D26/39  
8,613,523 B2 \* 12/2013 Bouffay et al. .... 362/105

\* cited by examiner

*Primary Examiner* — Ian Simmons

*Assistant Examiner* — Carissa C Fitts

(74) *Attorney, Agent, or Firm* — Oliff PLC

(57) **CLAIM**

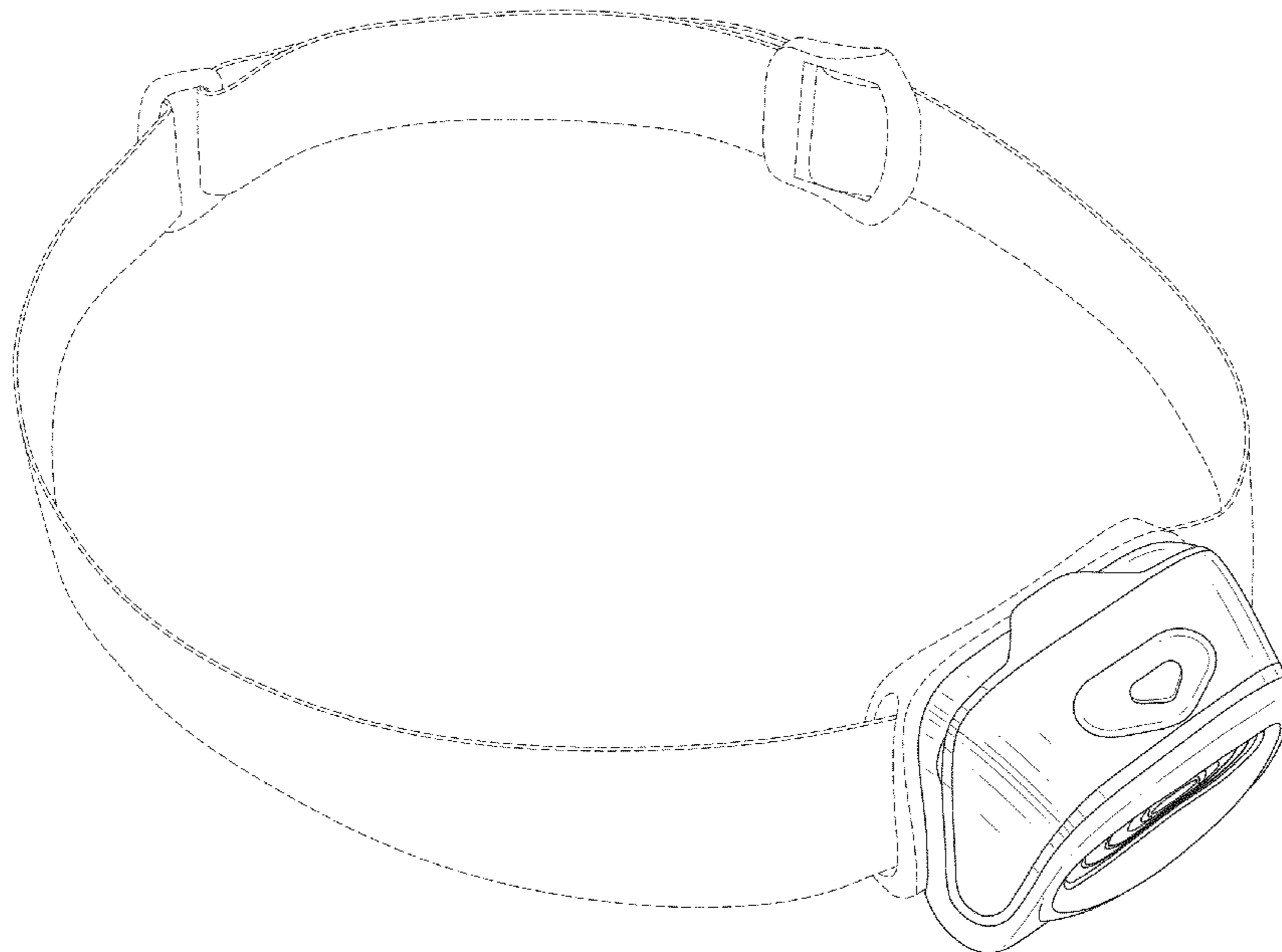
The ornamental design for a headlamp, as shown and described.

**DESCRIPTION**

FIG. 1 is a perspective view of the headlamp with a strap;  
FIG. 2 is a front view of the headlamp;  
FIG. 3 is top view thereof;  
FIG. 4 is a right-side view thereof (the left-side view being a mirror image of the right-side view);  
FIG. 5 is a rear view thereof; and,  
FIG. 6 is a bottom view thereof.

The broken line showing is for environmental purposes only and forms no part of the claimed design. The dot-dash lines depict a boundary between claimed and unclaimed subject matter, and form no part of the claimed design.

**1 Claim, 6 Drawing Sheets**



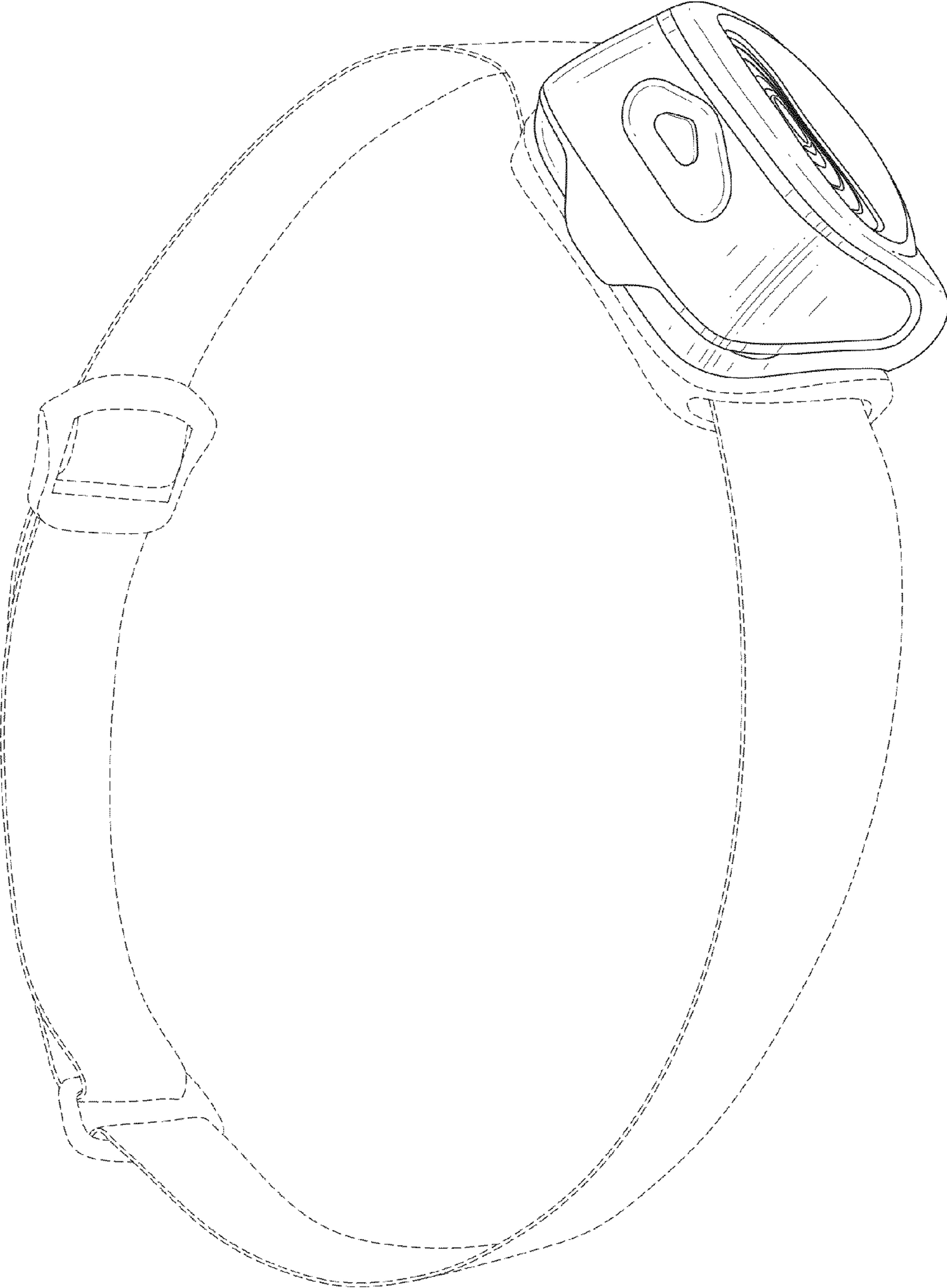


FIG. 1

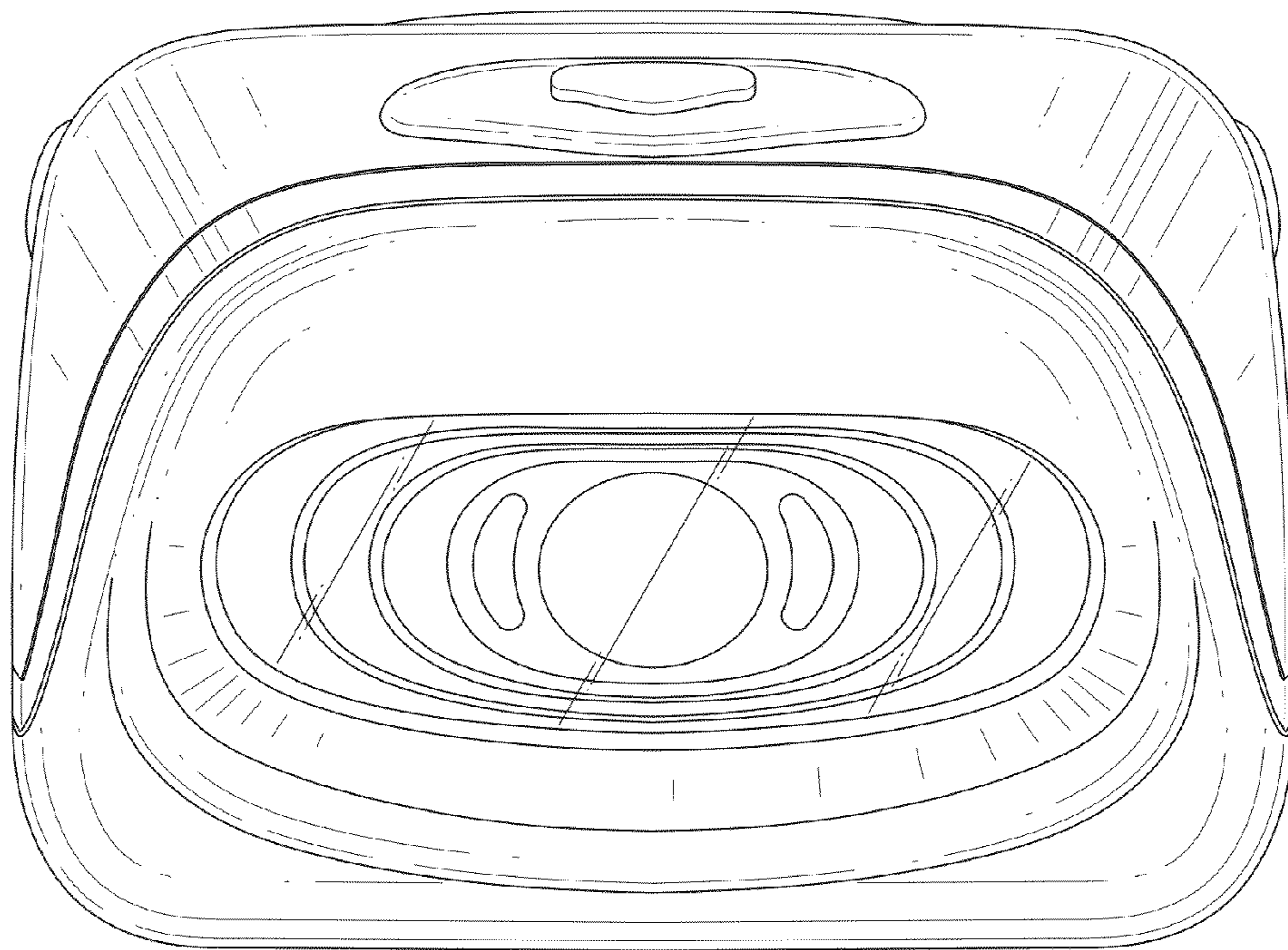


FIG. 2

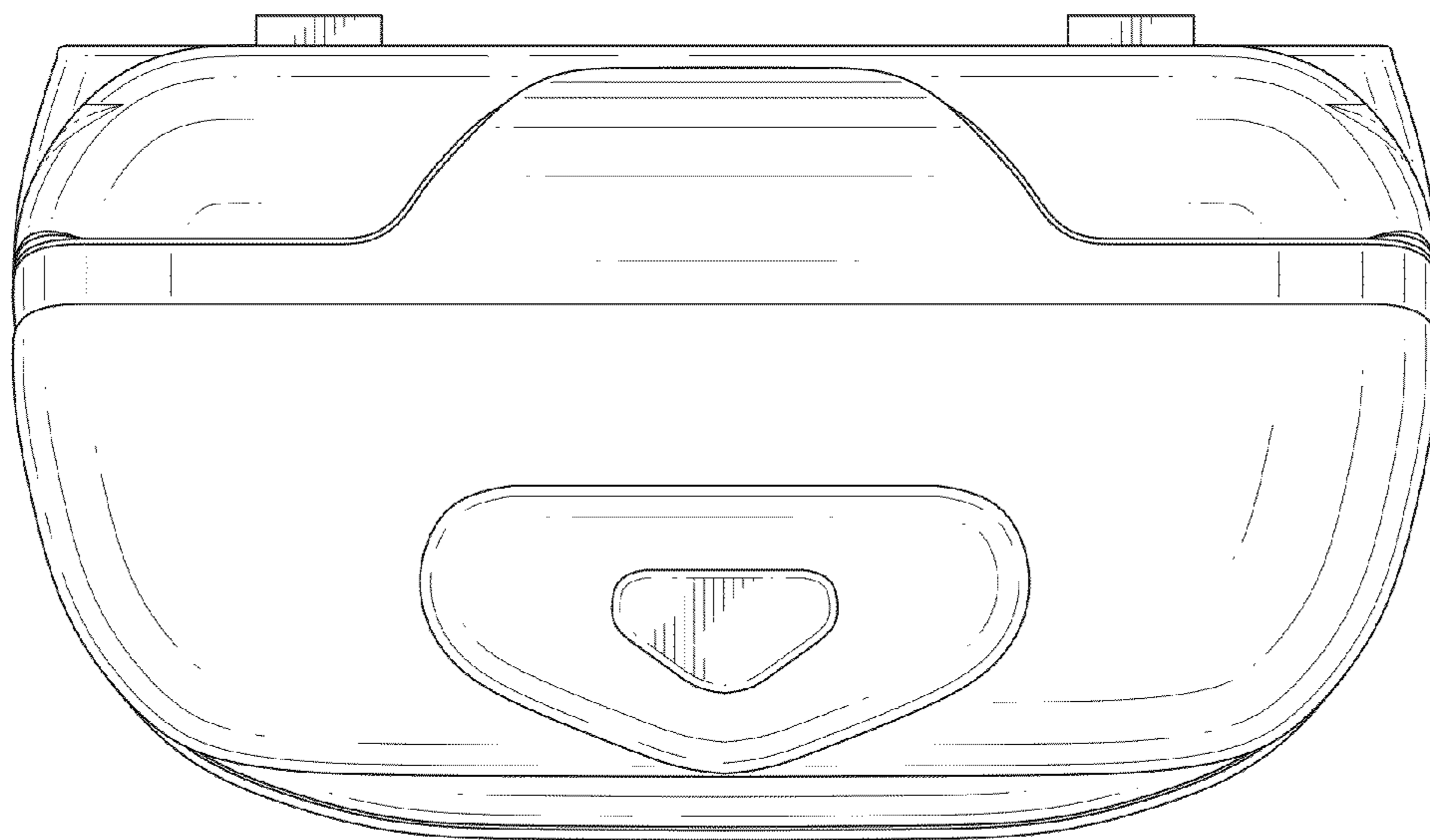


FIG. 3

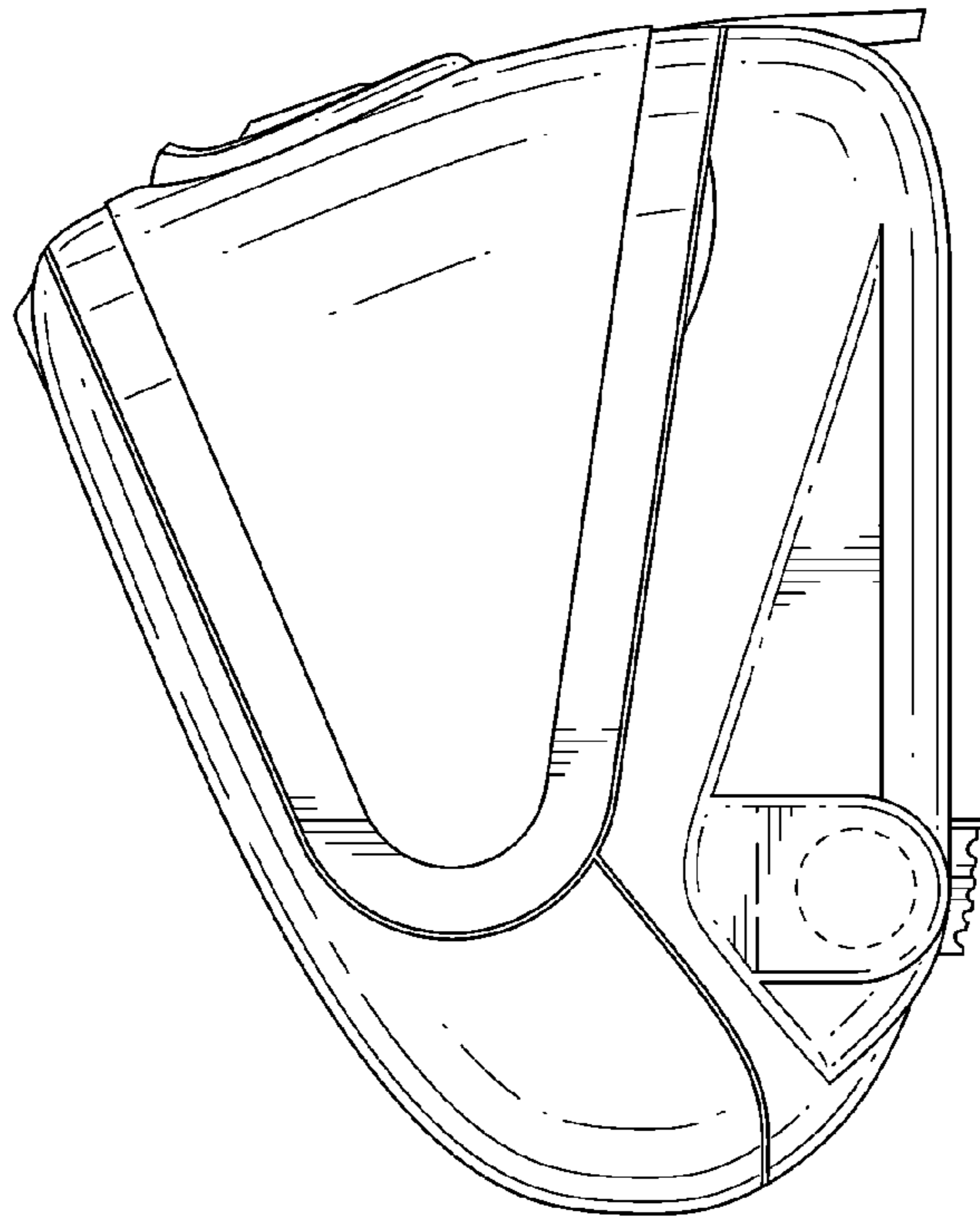


FIG. 4



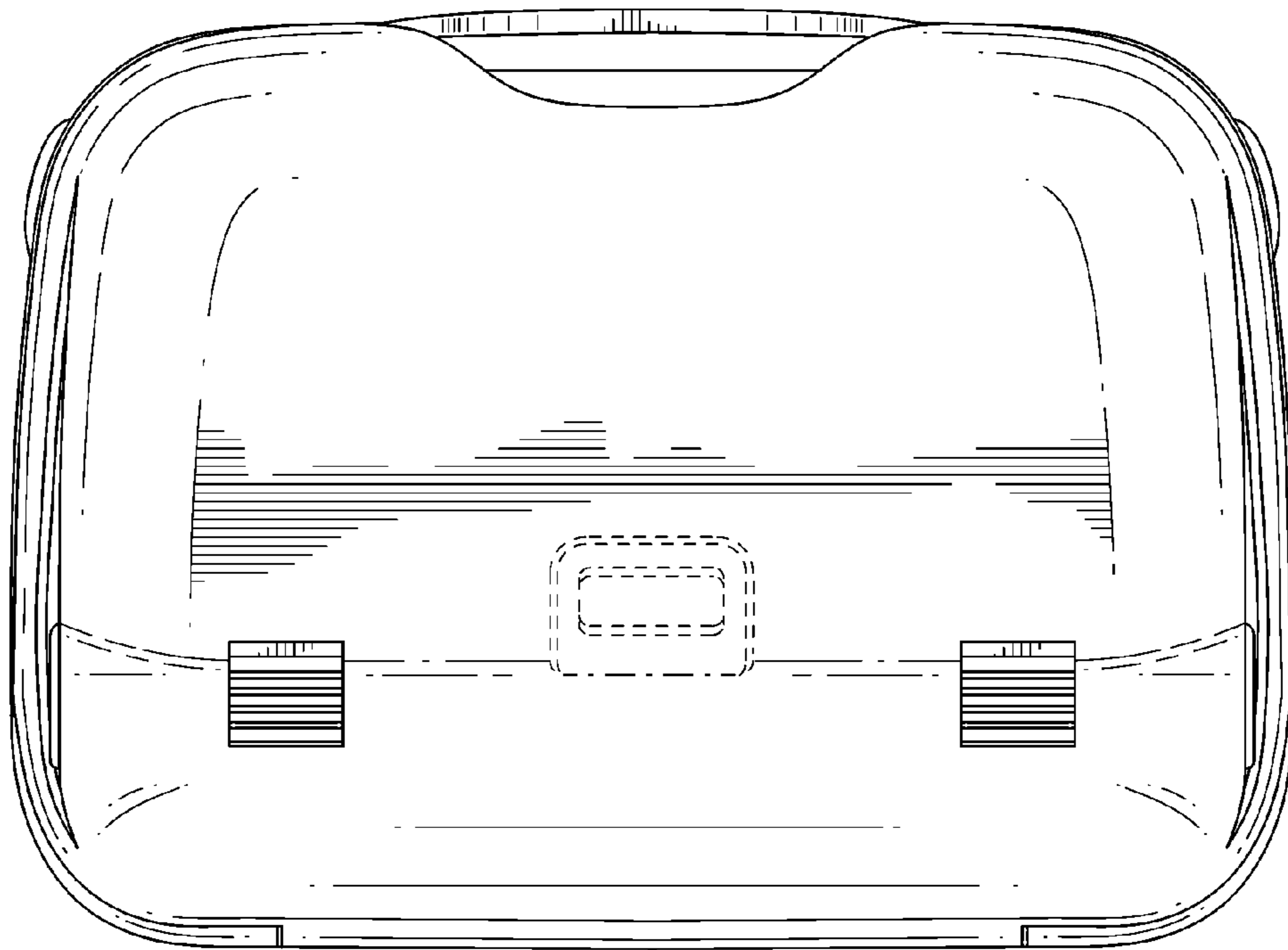


FIG. 5

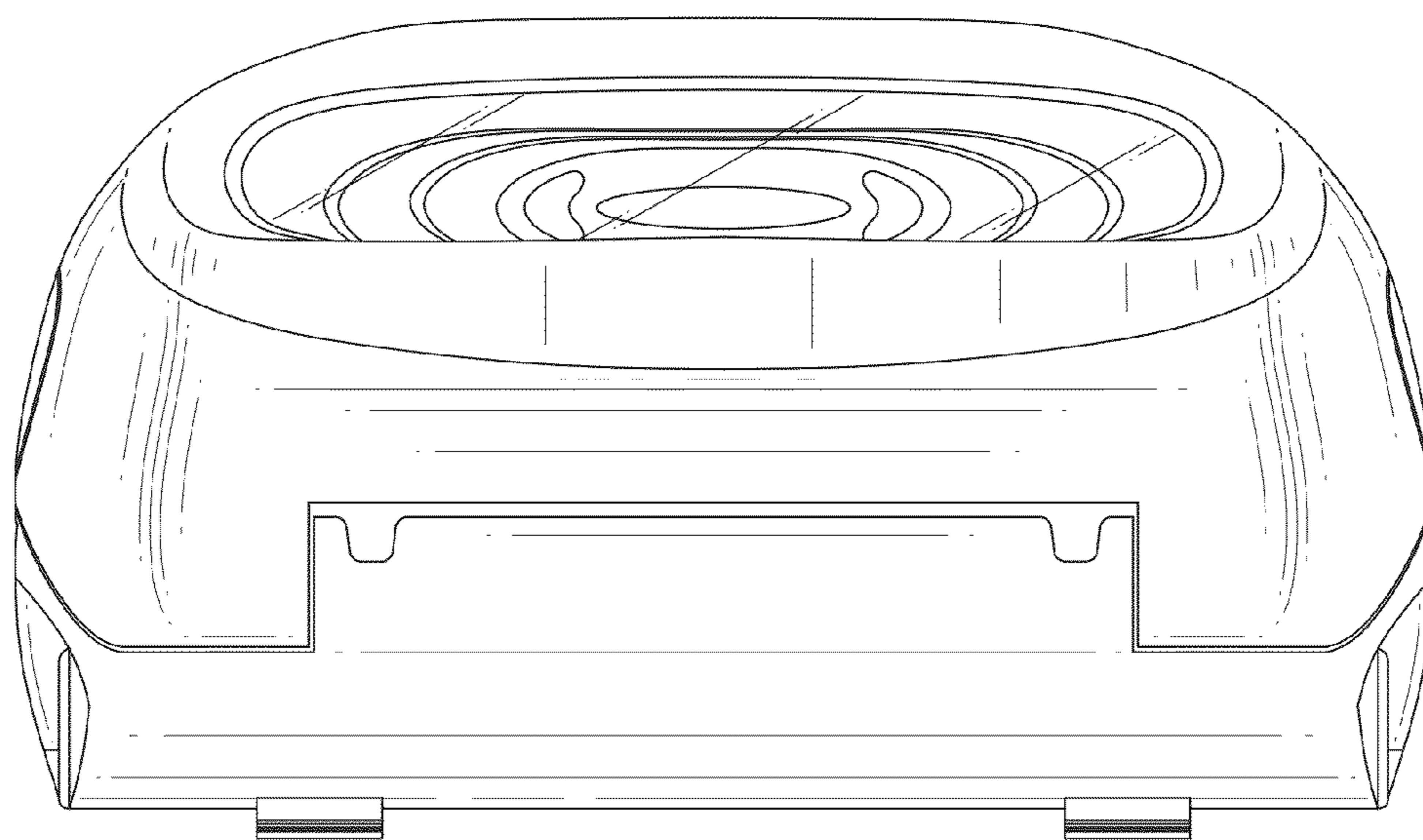


FIG. 6