



US00D736979S

(12) **United States Design Patent**
Petzl

(10) **Patent No.:** **US D736,979 S**

(45) **Date of Patent:** **** Aug. 18, 2015**

(54) **HEADLAMP**

(71) Applicant: **ZEDEL**, Crolles (FR)

(72) Inventor: **Paul Petzl**, Barraux (FR)

(73) Assignee: **Zedel**, Crolles (FR)

(**) Term: **14 Years**

(21) Appl. No.: **29/477,984**

(22) Filed: **Dec. 30, 2013**

(30) **Foreign Application Priority Data**

Jul. 4, 2013 (FR) 002268334-0003

(51) **LOC (10) Cl.** **26-02**

(52) **U.S. Cl.**
USPC **D26/39**

(58) **Field of Classification Search**
USPC D26/37, 38, 44, 46, 39; 362/157, 158,
362/183, 184, 194-196, 200-208, 253, 103,
362/105, 106
CPC F21L 2/00; F21L 4/00; F21L 4/005;
F21L 17/00; F21L 13/08; F21Y 2101/00;
F21V 21/30; F21V 21/406; F21W 2131/406;
F21W 2131/407

See application file for complete search history.

(56) **References Cited**

U.S. PATENT DOCUMENTS

6,499,859 B2 * 12/2002 Petzl et al. 362/184
D527,127 S * 8/2006 Petzl D26/39
D560,008 S * 1/2008 Poon D26/39

D562,475 S * 2/2008 Hojer D26/28
D566,310 S * 4/2008 Alessio D26/39
D576,328 S * 9/2008 Poon D26/39
D577,842 S * 9/2008 Kumthampinij et al. D26/39
D590,083 S * 4/2009 Petzl D26/39
D594,582 S * 6/2009 Petzl D26/39
D595,883 S * 7/2009 Petzl D26/39
D600,379 S * 9/2009 Petzl D26/39
D658,323 S * 4/2012 Freschl D26/39
8,517,559 B1 * 8/2013 Freschl 362/192
D696,803 S * 12/2013 Kingston et al. D26/39
8,613,523 B2 * 12/2013 Bouffay et al. 362/105

* cited by examiner

Primary Examiner — Ian Simmons

Assistant Examiner — Carissa C Fitts

(74) *Attorney, Agent, or Firm* — Oliff PLC

(57) **CLAIM**

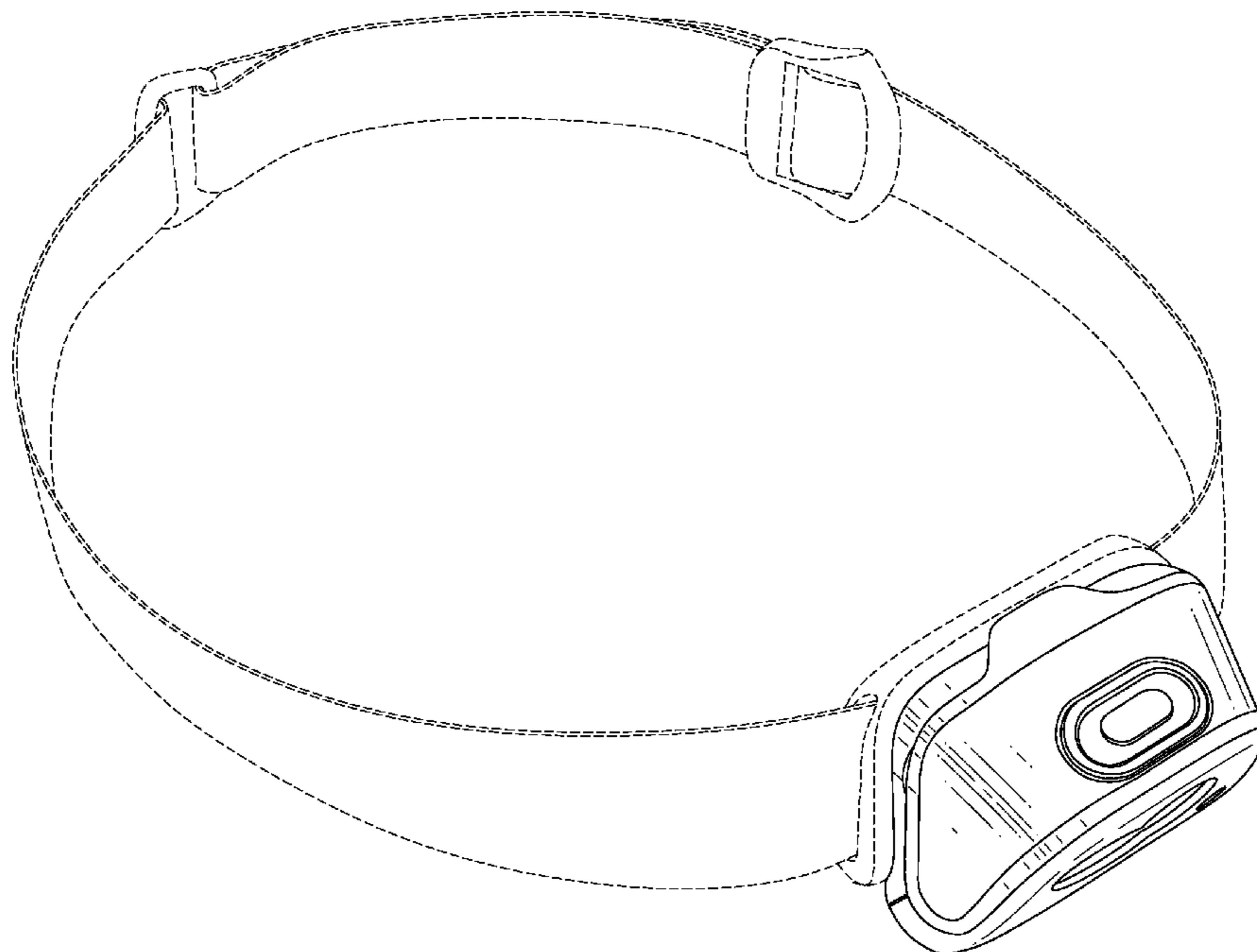
The ornamental design for a headlamp, as shown and described.

DESCRIPTION

FIG. 1 is a perspective view of the headlamp with a strap;
FIG. 2 is a front view of the headlamp;
FIG. 3 is top view thereof;
FIG. 4 is a right-side view thereof (the left-side view being a mirror image of the right-side view);
FIG. 5 is a rear view thereof; and,
FIG. 6 is a bottom view thereof.

The broken line showing is for environmental purposes only and forms no part of the claimed design. The dot-dash lines depict a boundary between claimed and unclaimed subject matter, and form no part of the claimed design.

1 Claim, 6 Drawing Sheets



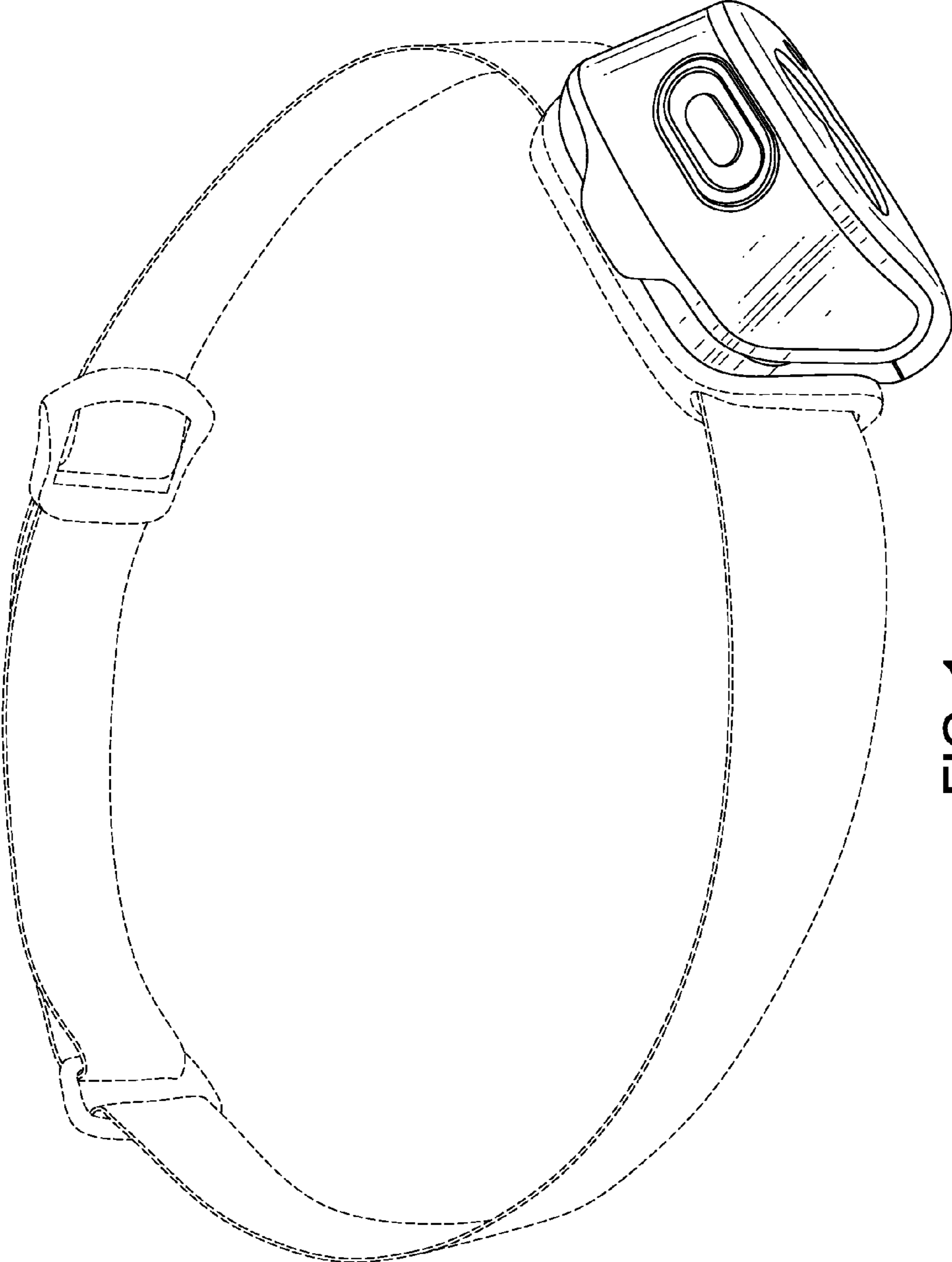


FIG. 1

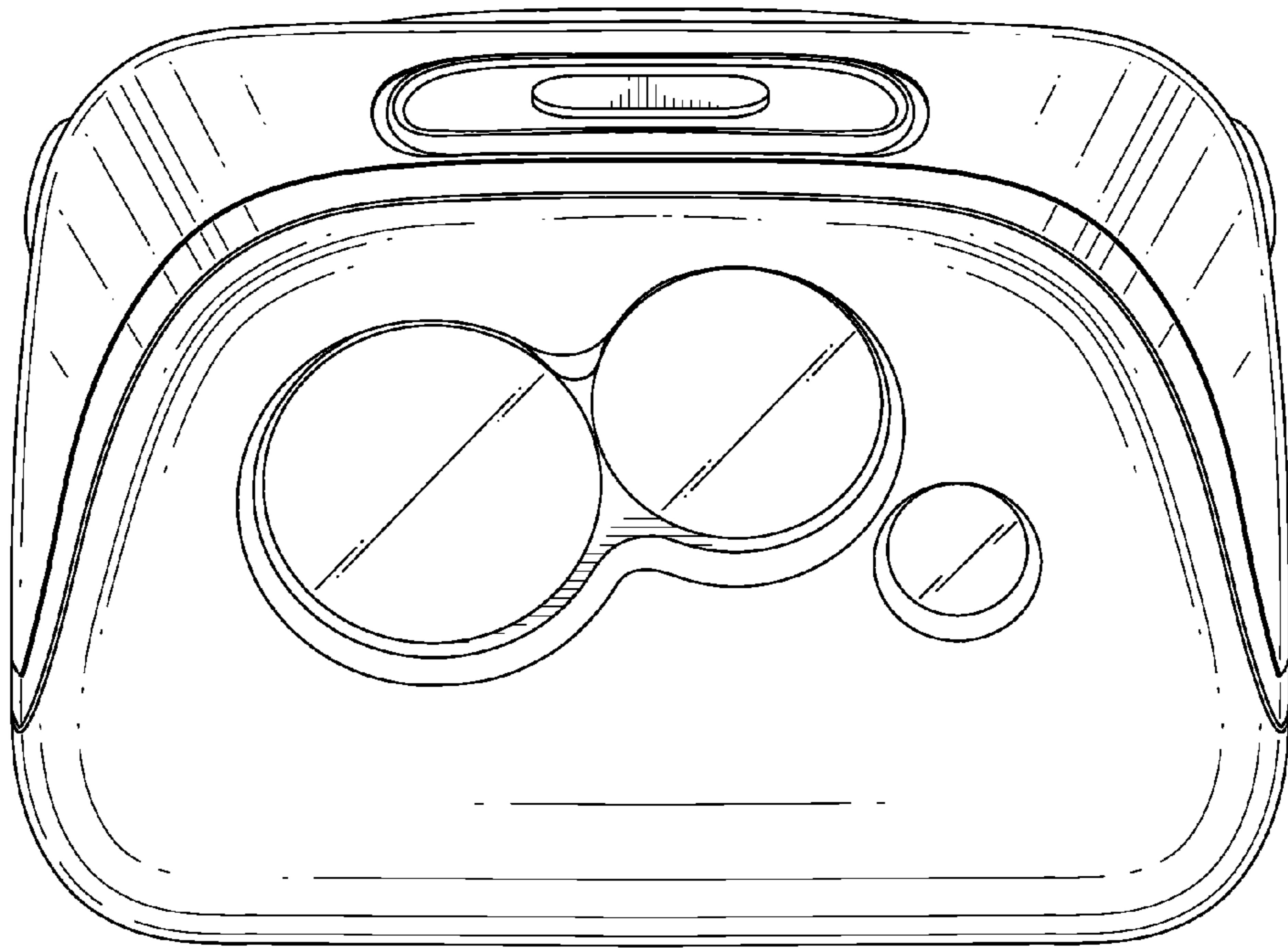


FIG. 2

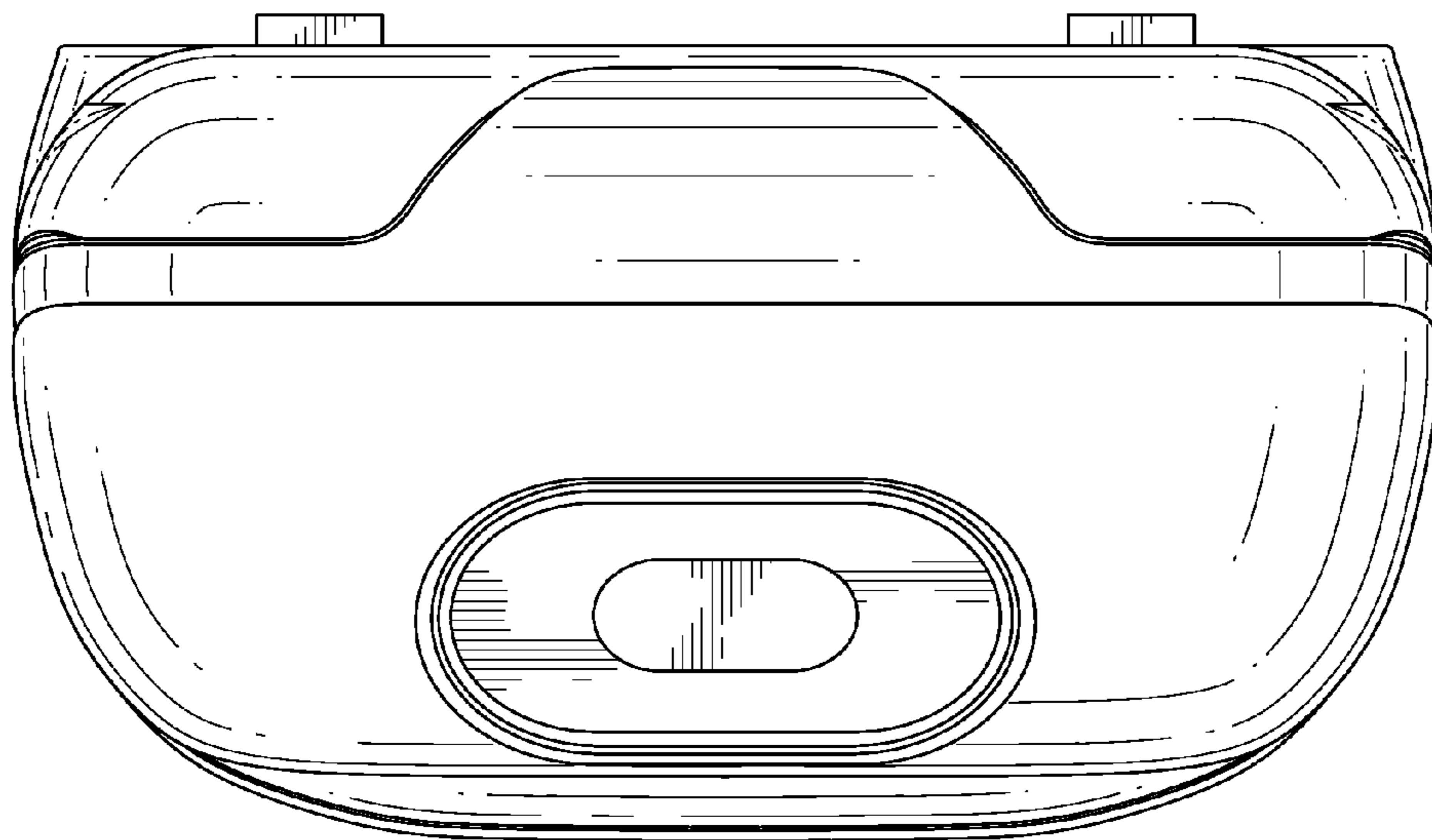


FIG. 3

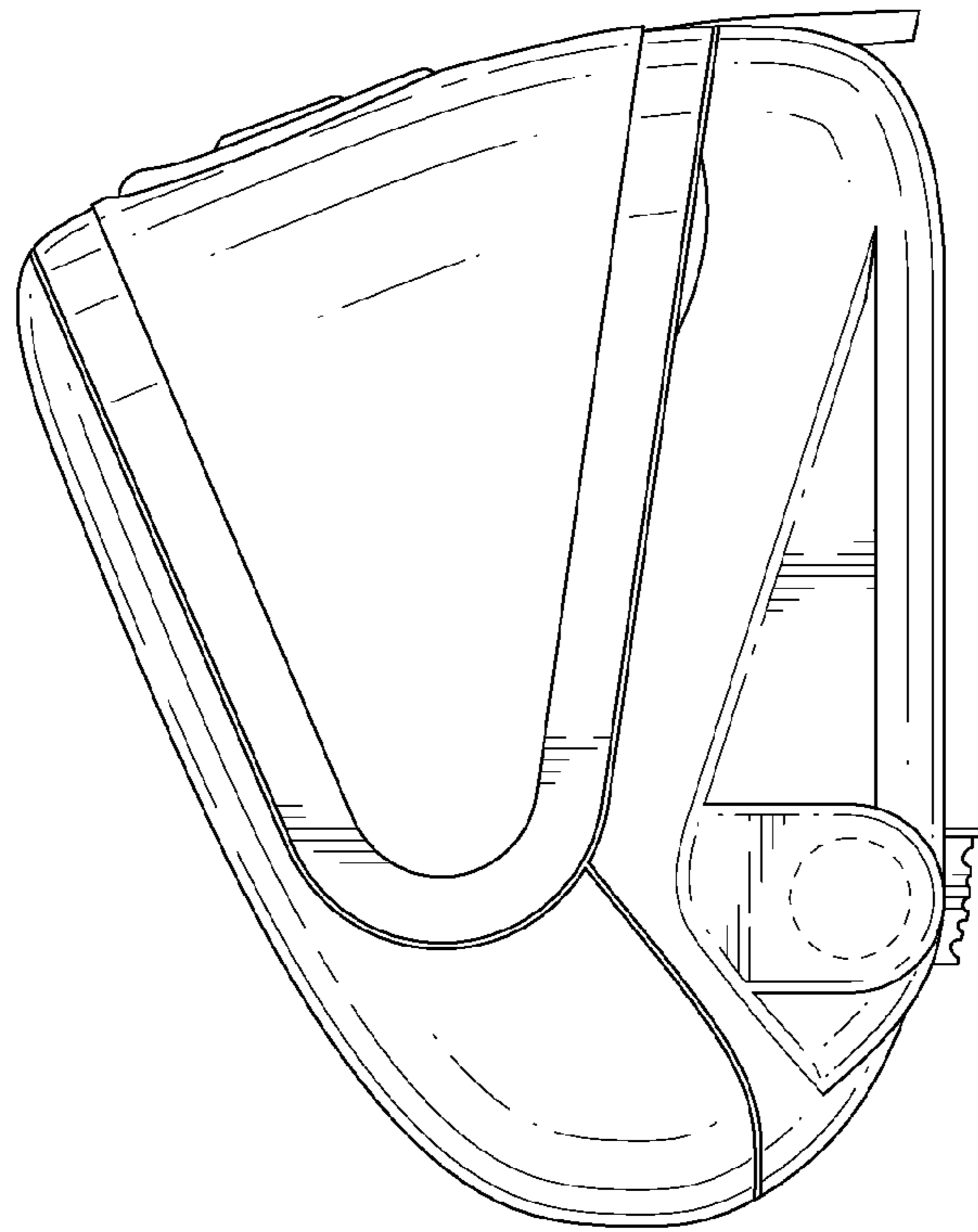


FIG. 4

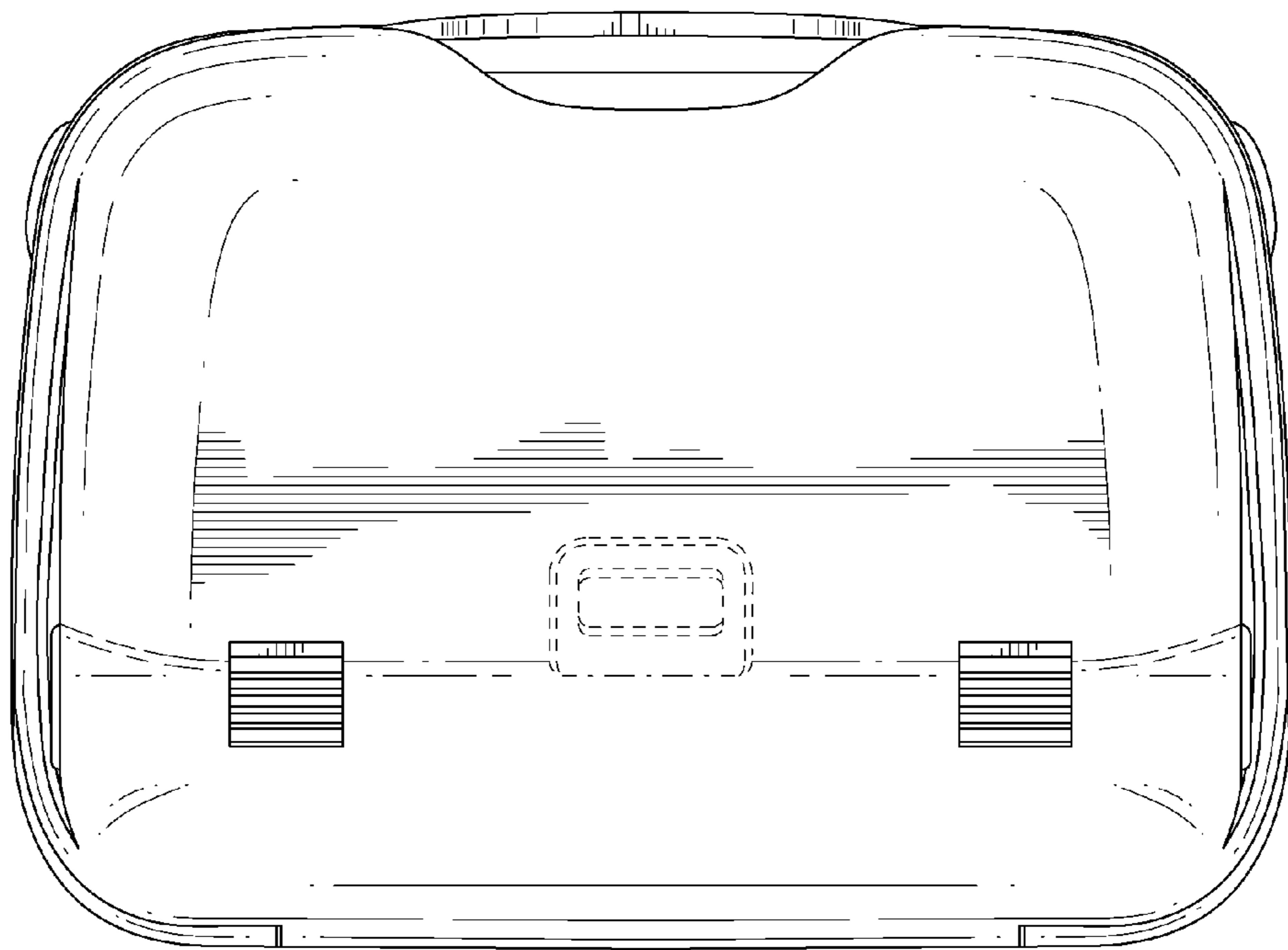


FIG. 5

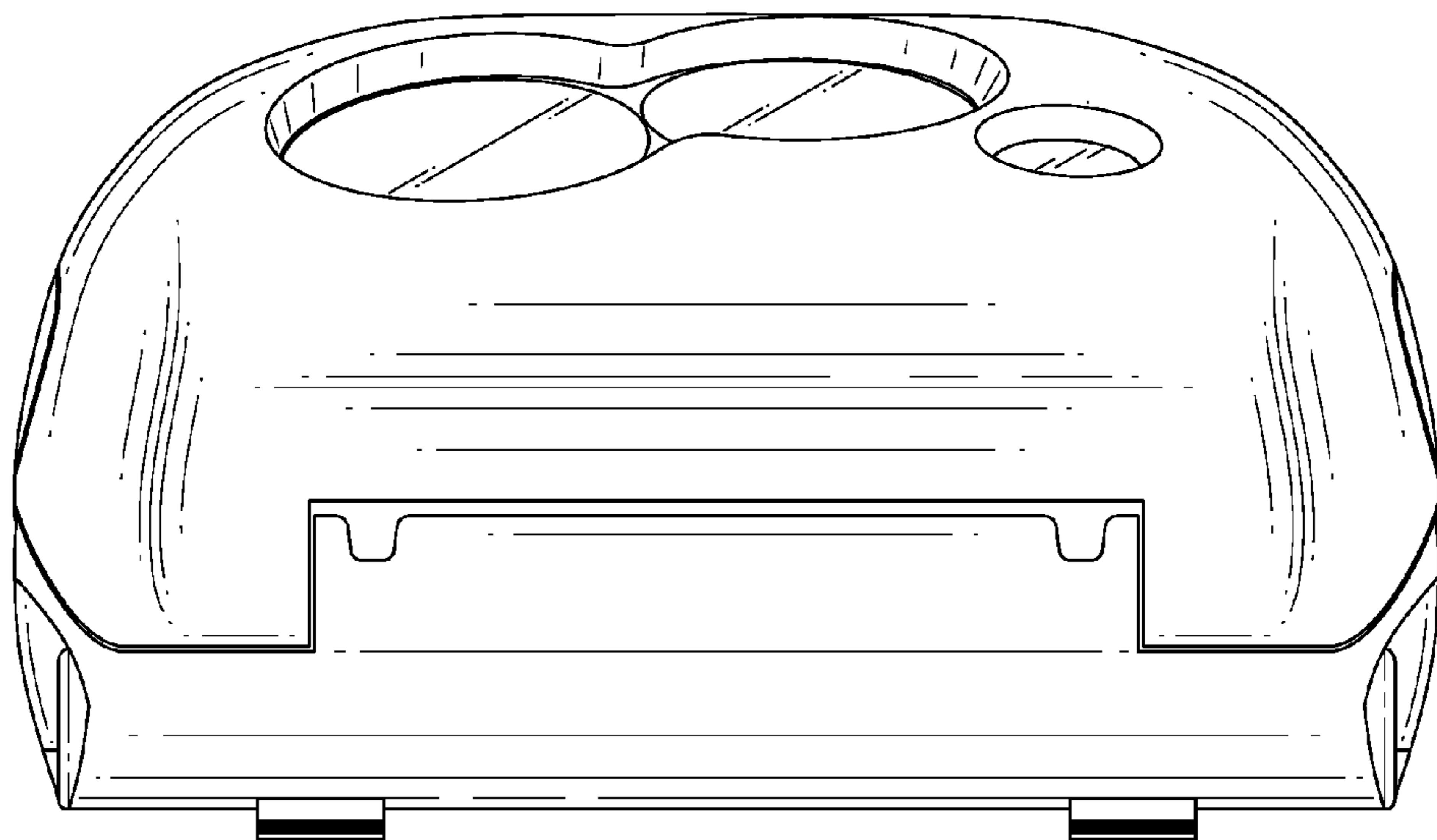


FIG. 6