



US00D736975S

(12) **United States Design Patent**
Tang

(10) **Patent No.:** **US D736,975 S**

(45) **Date of Patent:** **** Aug. 18, 2015**

(54) **COMBINATION FLASHLIGHT STUN GUN**

(71) Applicant: **Cutting Edge Products, Inc.**,
Winterville, NC (US)

(72) Inventor: **Yan Tang**, Shenzhen (CN)

(73) Assignee: **Cutting Edge Products Inc.**,
Winterville, NC (US)

(**) Term: **14 Years**

(21) Appl. No.: **29/485,078**

(22) Filed: **Mar. 14, 2014**

(51) **LOC (10) Cl.** **26-02**

(52) **U.S. Cl.**
USPC **D26/38; D22/117**

(58) **Field of Classification Search**
USPC D26/37, 38, 40, 46, 49, 51; 362/158,
362/157, 183, 184, 194–196, 200–208,
362/253; D22/117–120; D28/88–89
CPC F21L 2/00; F21L 4/00; F21L 4/005;
F21L 17/00; F21L 13/08; F21L 2003/00;
F21L 2005/00; F21V 33/00; F21V 14/025;
F21V 21/406; F21Y 2101/02
See application file for complete search history.

(56) **References Cited**

U.S. PATENT DOCUMENTS

D308,109 S *	5/1990	Maglica et al.	D26/49
D643,561 S *	8/2011	Maglica	D26/49
D647,232 S *	10/2011	Liu	D26/49
D666,344 S *	8/2012	Lee	D26/49
D671,249 S	11/2012	Sheikh		
D674,943 S	1/2013	Sheikh		

D682,980 S	5/2013	Sheikh		
D690,383 S	9/2013	Sheikh		
D691,691 S	10/2013	Sheikh		
D691,692 S	10/2013	Sheikh		
D695,873 S	12/2013	Sheikh		
D698,056 S *	1/2014	Forbes et al.	D26/49
D698,961 S *	2/2014	Dalton	D26/49
D719,694 S *	12/2014	Nawaz	D26/38
D724,247 S *	3/2015	Chouprinov et al.	D26/38

* cited by examiner

Primary Examiner — Ian Simmons

Assistant Examiner — Carissa C Fitts

(74) *Attorney, Agent, or Firm* — Williams Mullen, PC;
Richard T. Matthews

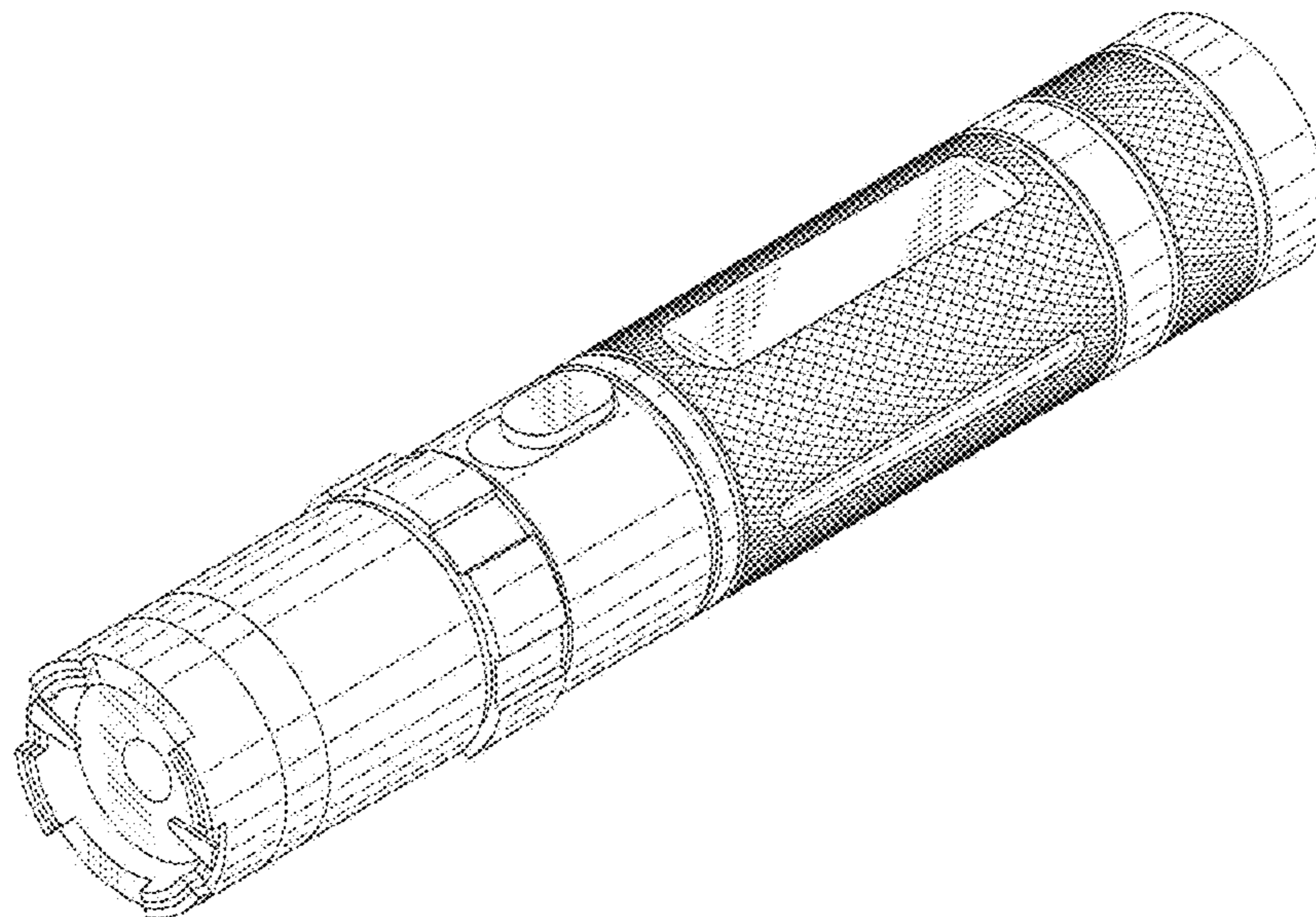
(57) **CLAIM**

The ornamental design for a combination flashlight stun gun,
as shown and described.

DESCRIPTION

FIG. 1 is a front perspective view illustrating a combination
flashlight stun gun, with two prongs of the stun gun illustrated
on the flashlight end thereof;
FIG. 2 is a front view thereof;
FIG. 3 is a back view thereof, with an operating switch and
charging port illustrated in broken lines;
FIG. 4 is a side view thereof;
FIG. 5 is an opposing side view thereof;
FIG. 6 is a top view thereof; and,
FIG. 7 is a bottom view thereof.
The broken lines shown herein represent unclaimed portions
of the design article and form no part of the claimed design.

1 Claim, 4 Drawing Sheets



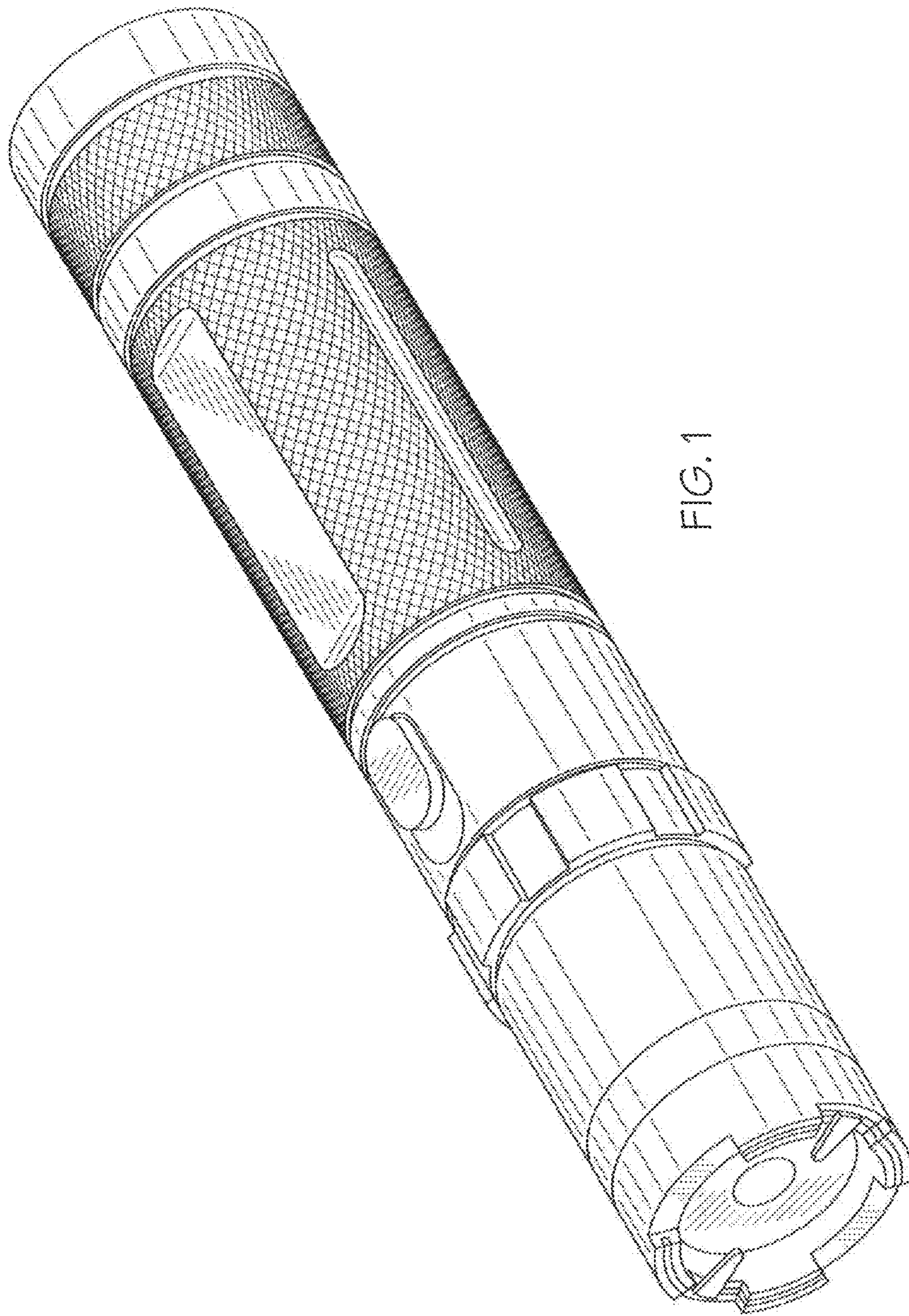


FIG. 1

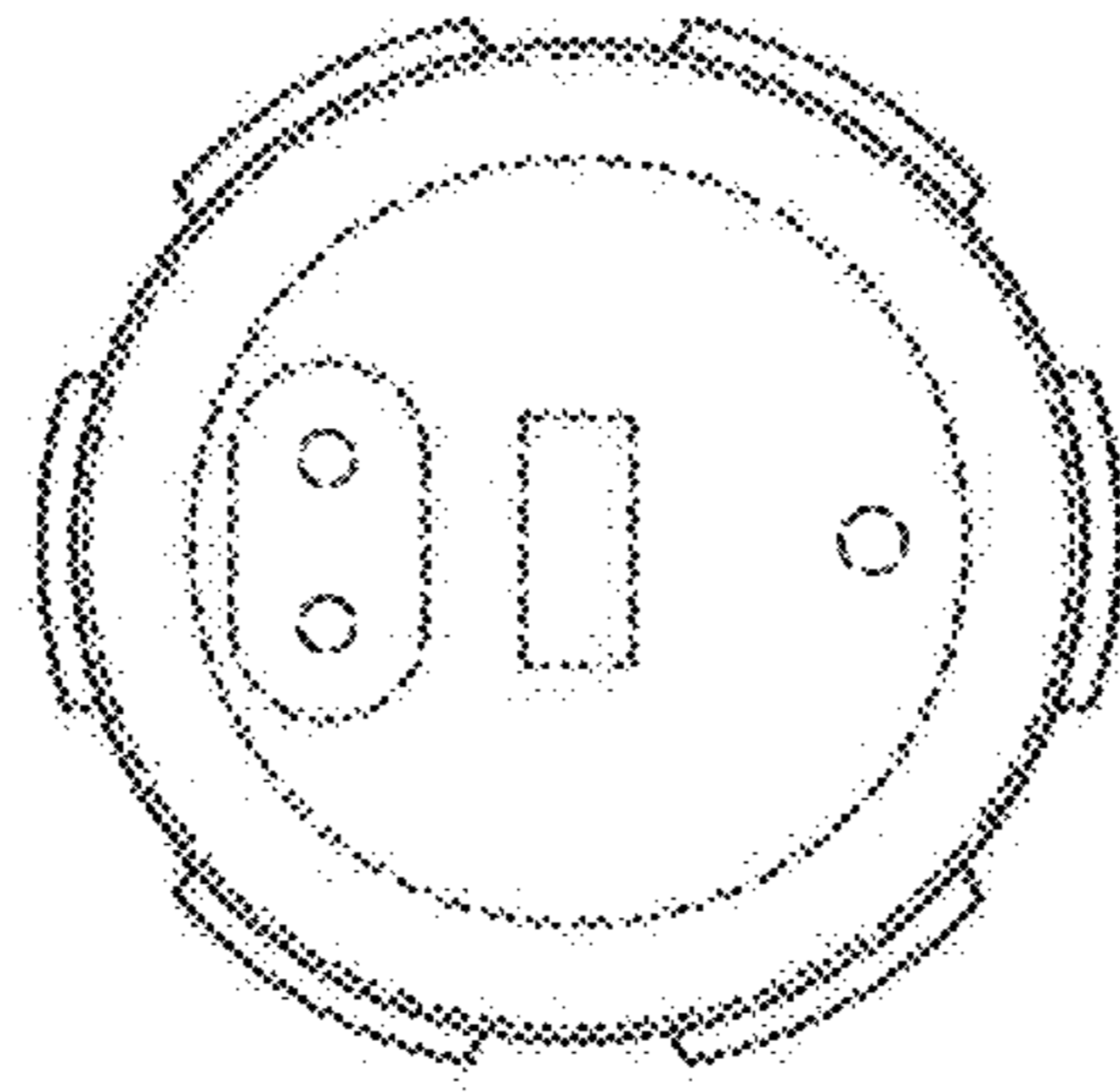


FIG. 3

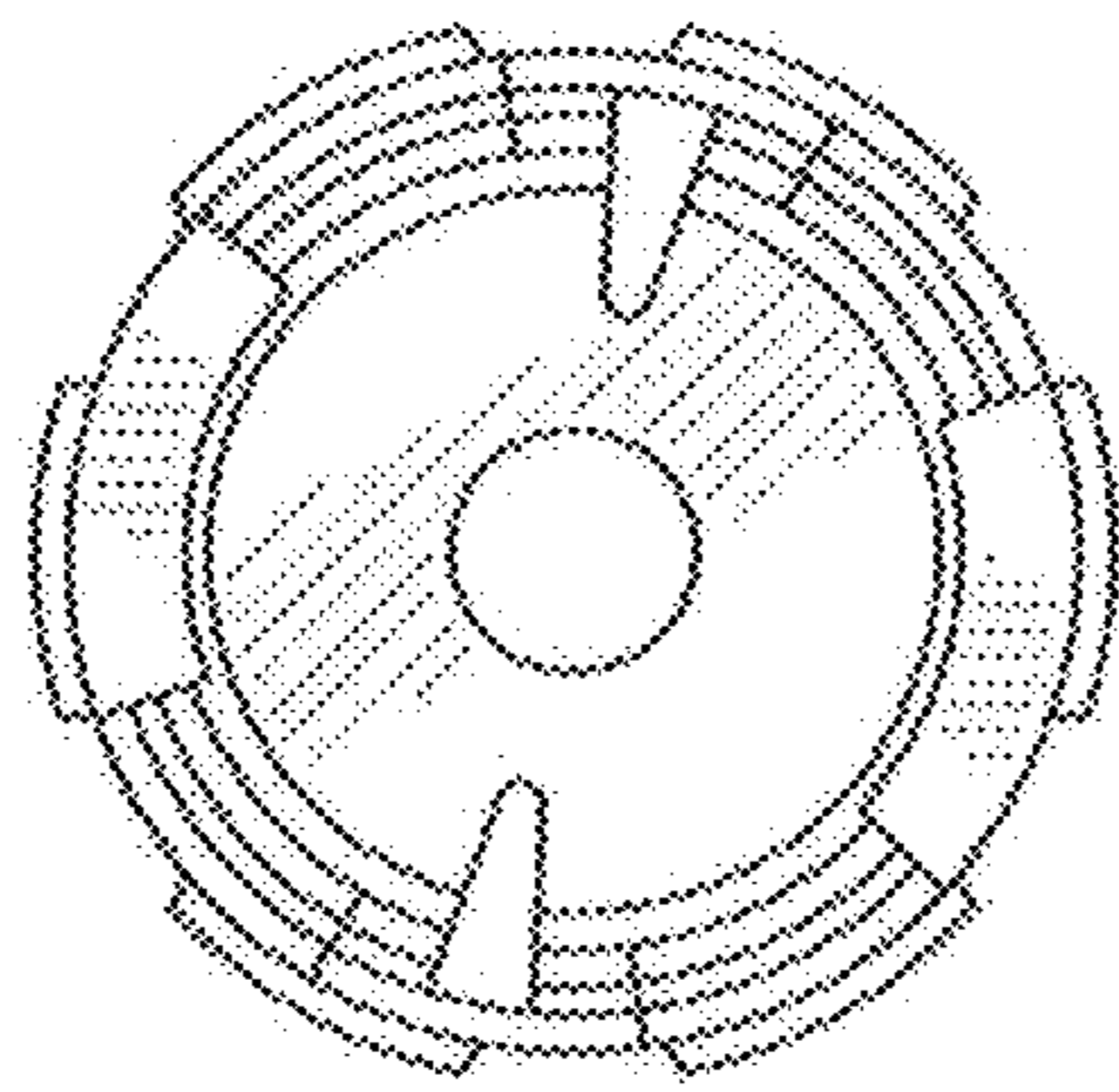


FIG. 2

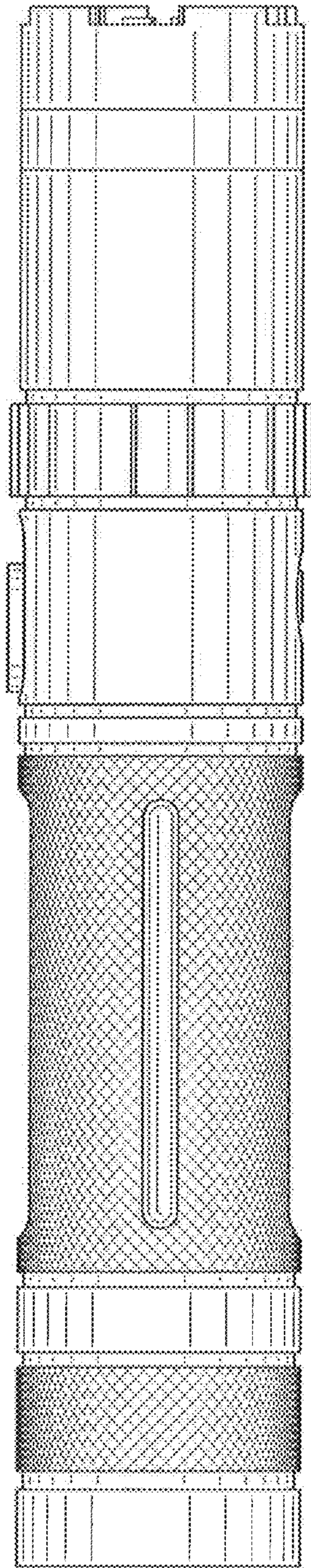


FIG. 4

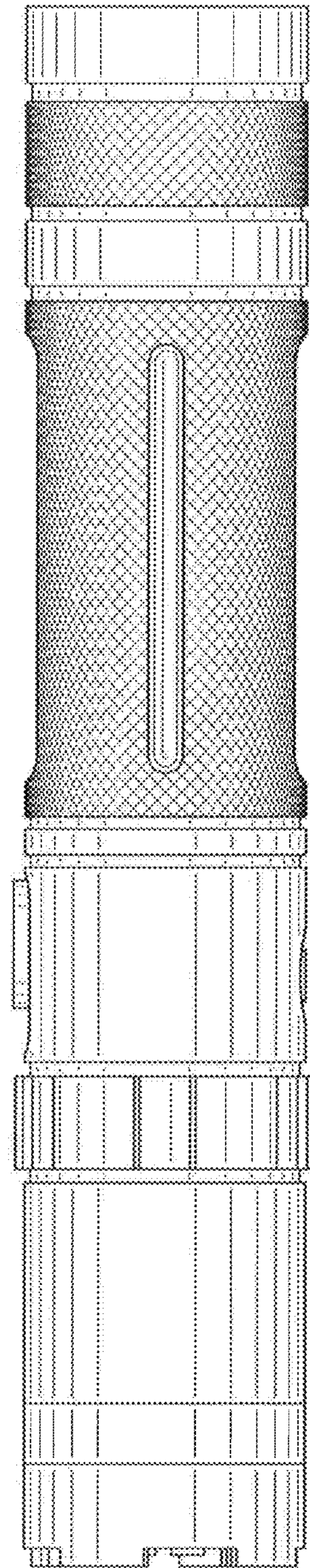


FIG. 5

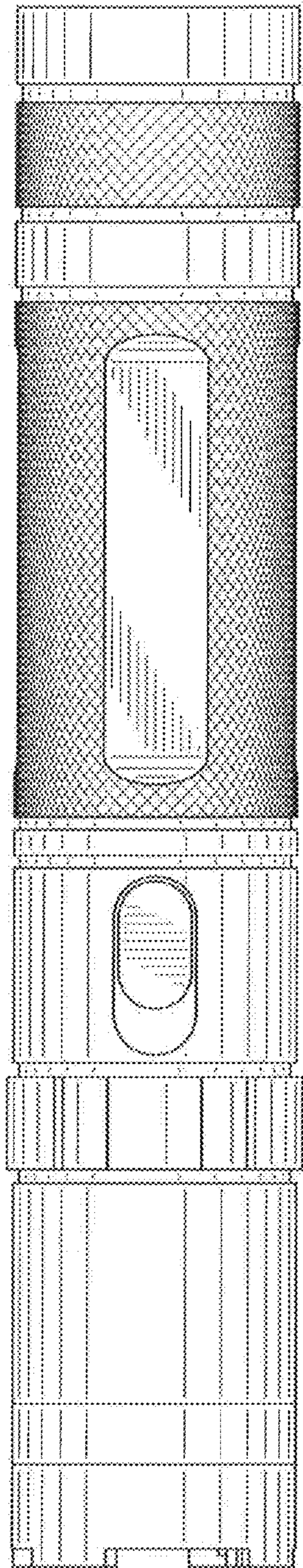


FIG. 6

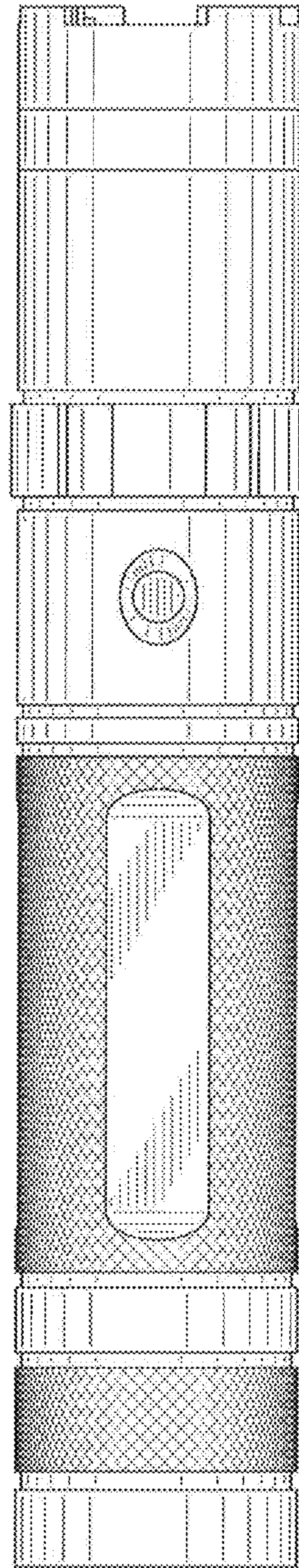


FIG. 7