



US00D736974S

(12) **United States Design Patent**
Hammer

(10) **Patent No.:** **US D736,974 S**

(45) **Date of Patent:** **** Aug. 18, 2015**

(54) **LED LIGHTING UNIT**

(71) Applicant: **Osram GmbH**, Munich (DE)

(72) Inventor: **Andreas Hammer**, Regensburg (DE)

(73) Assignee: **OSRAM GmbH**, Munich (DE)

(**) Term: **14 Years**

(21) Appl. No.: **29/472,600**

(22) Filed: **Nov. 14, 2013**

(30) **Foreign Application Priority Data**

May 14, 2013 (EP) 002236976

(51) **LOC (10) Cl.** **26-02**

(52) **U.S. Cl.**

USPC **D26/37**

(58) **Field of Classification Search**

USPC D26/1, 37-50; 313/313, 315, 316, 317,
313/318, 493; 315/52, 53, 56, 57, 58

See application file for complete search history.

(56) **References Cited**

U.S. PATENT DOCUMENTS

D383,228 S *	9/1997	Petruzzi	D26/37
D390,677 S *	2/1998	Hanewinkel, III	D26/37
D402,067 S *	12/1998	Sinclair	D26/37
D410,759 S *	6/1999	Petruzzi	D26/37

* cited by examiner

Primary Examiner — Marcus Jackson

(57) **CLAIM**

The ornamental design for a LED lighting unit, as shown and described.

DESCRIPTION

FIG. 1 is a perspective view of an embodiment of a LED lighting unit showing the new design; FIG. 2 is a bottom view thereof; FIG. 3 is a top plan view thereof; FIG. 4 is a front elevational view thereof; FIG. 5 is a left side elevational view thereof; FIG. 6 is a right side elevational view thereof; and, FIG. 7 is a rear elevational view thereof.

1 Claim, 7 Drawing Sheets

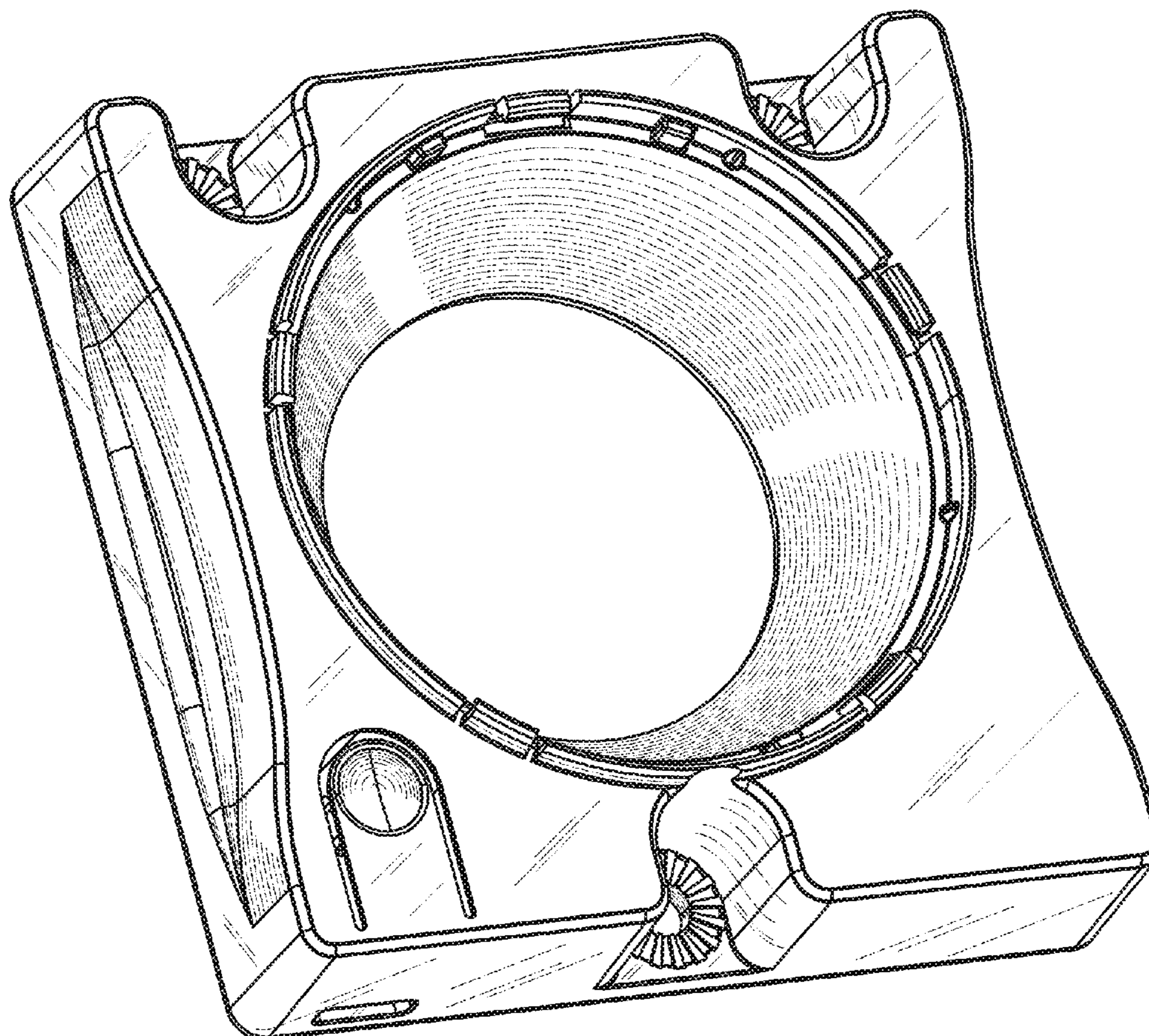


FIG .1

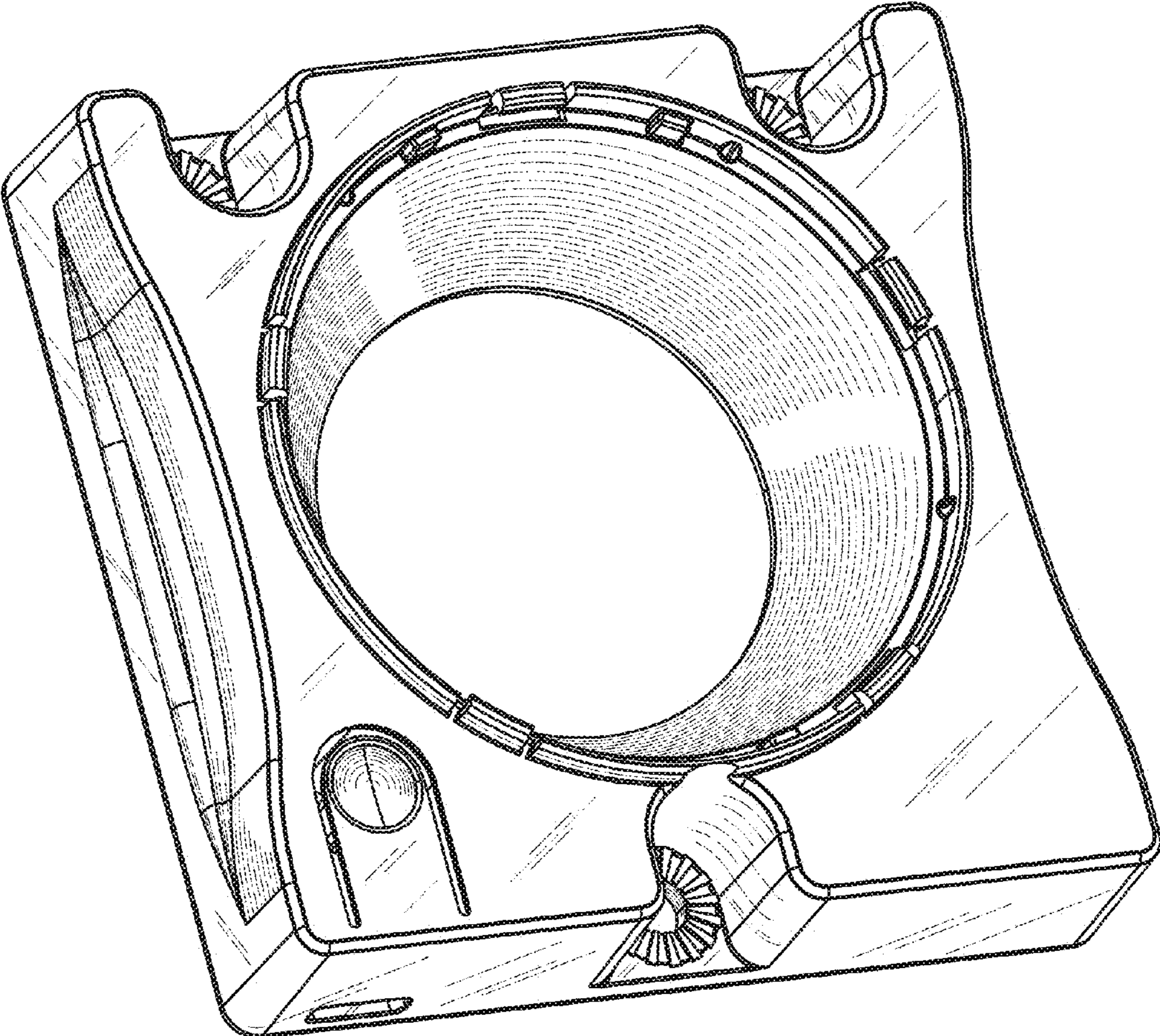


FIG .2

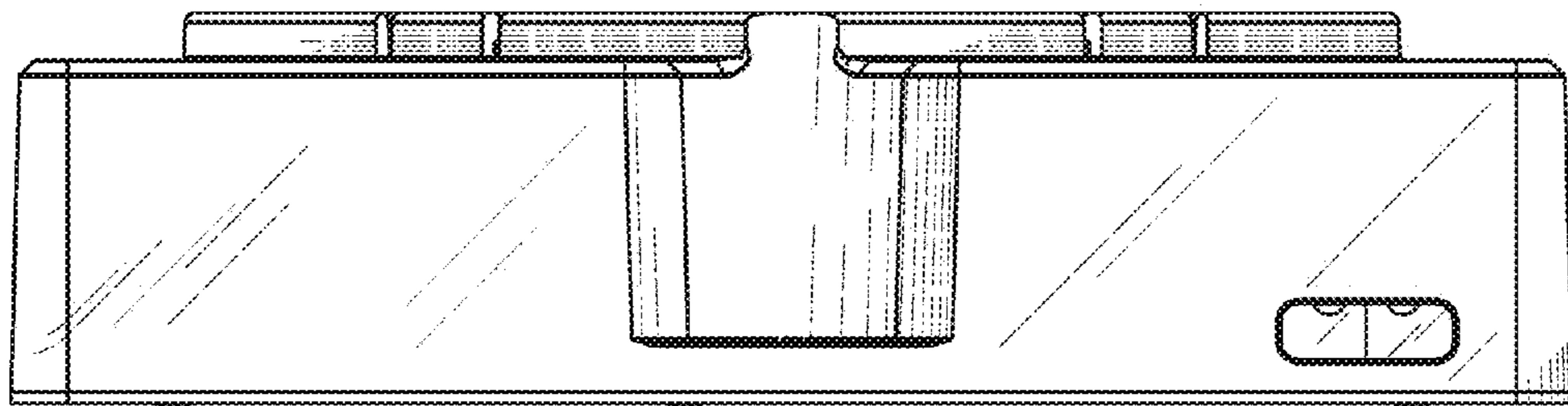


FIG .3

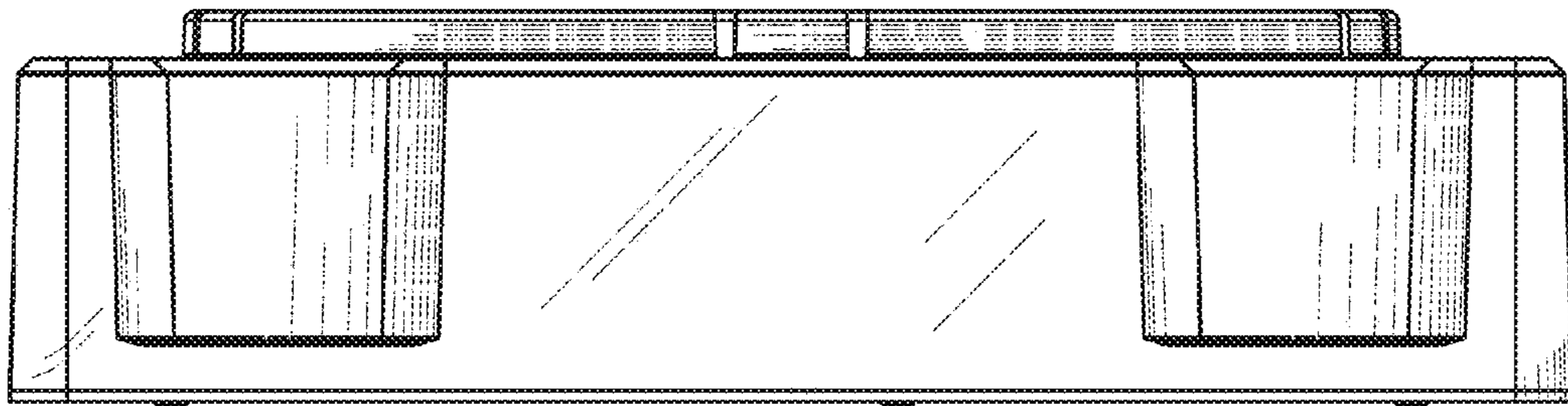


FIG .4

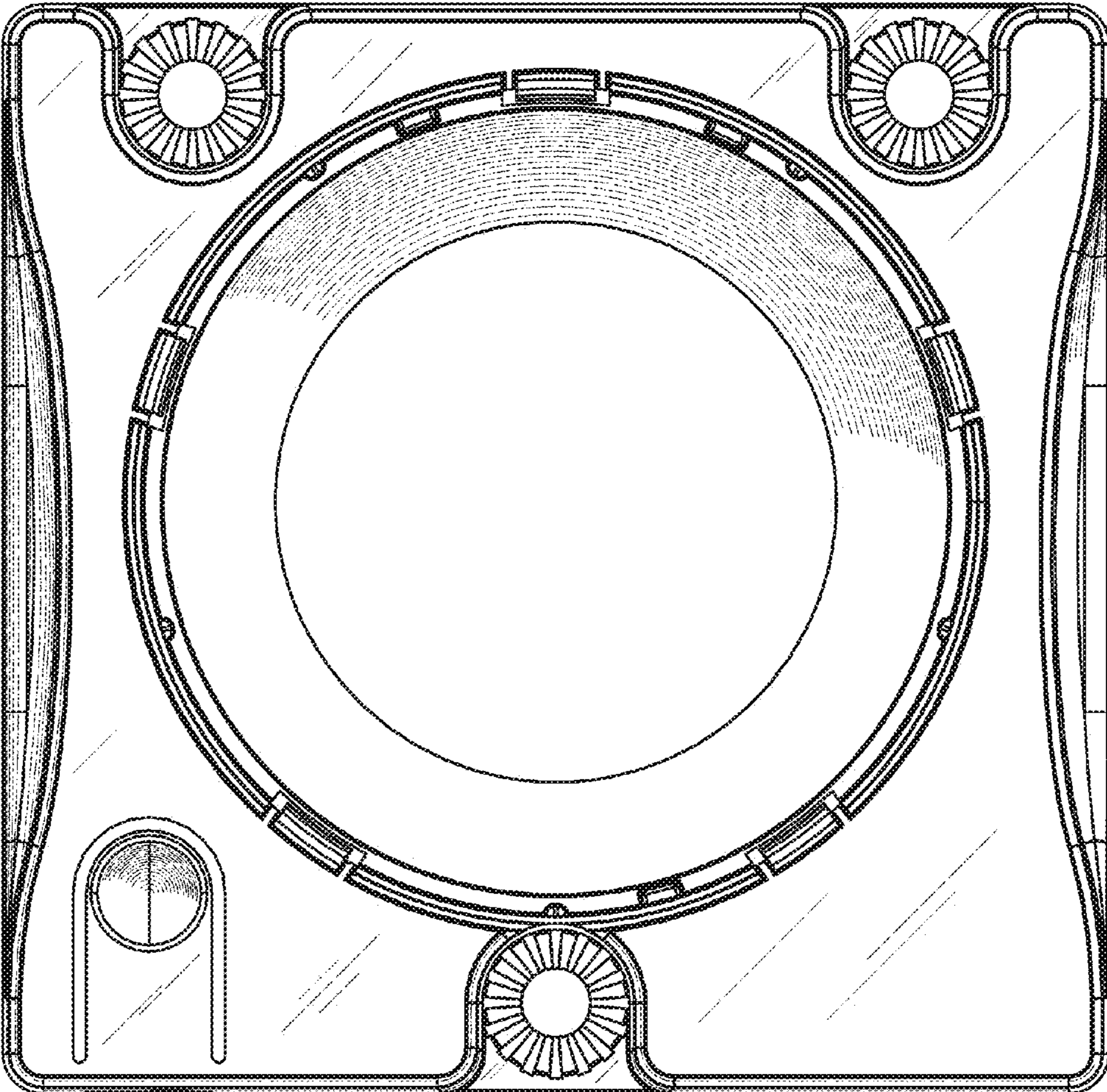


FIG. 5

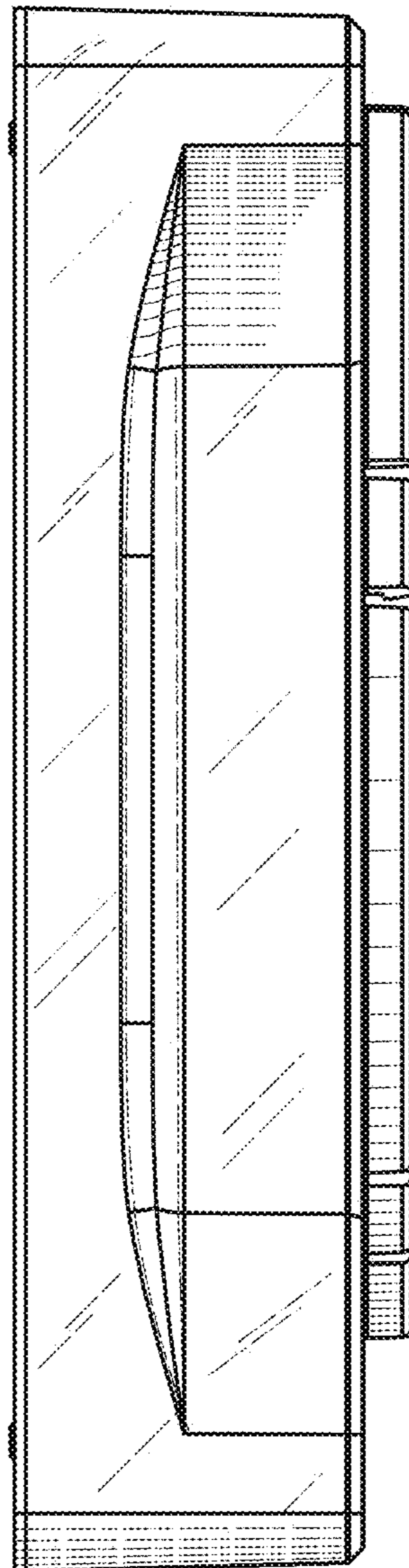


FIG .6

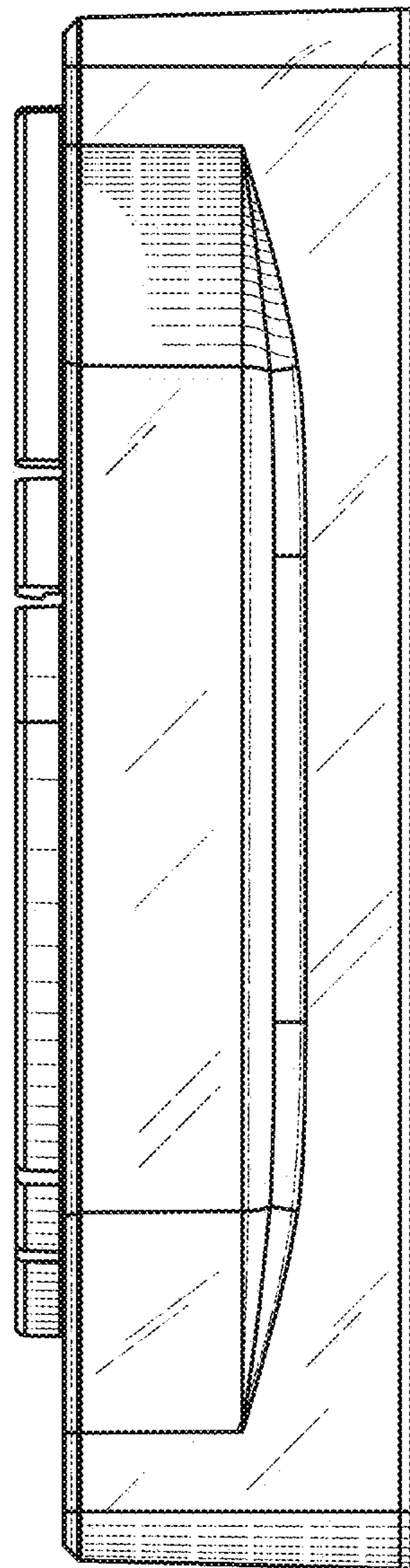


FIG .7

