



US00D736971S

(12) **United States Design Patent**
Duff et al.

(10) **Patent No.:** **US D736,971 S**

(45) **Date of Patent:** **** Aug. 18, 2015**

(54) **VEHICLE REAR LAMP**

(71) Applicant: **GM GLOBAL TECHNOLOGY OPERATIONS LLC**, Detroit, MI (US)

(72) Inventors: **Richard S. Duff**, Warren, MI (US); **Ying He**, Shanghai (CN)

(73) Assignee: **GM GLOBAL TECHNOLOGY OPERATIONS LLC**, Detroit, MI (US)

(**) Term: **14 Years**

(21) Appl. No.: **29/484,370**

(22) Filed: **Mar. 8, 2014**

(51) **LOC (10) Cl.** **26-06**

(52) **U.S. Cl.**
USPC **D26/28**

(58) **Field of Classification Search**
USPC D26/28–36, 139
CPC F21S 48/10; F21S 48/115; F21S 48/145;
F21S 48/1109; F21S 48/1168; F21S 48/1186
See application file for complete search history.

(56) **References Cited**

U.S. PATENT DOCUMENTS

D592,325 S * 5/2009 Bauer et al. D26/28
D635,283 S * 3/2011 Kim et al. D26/28

D642,308 S * 7/2011 Chang et al. D26/28
D658,319 S * 4/2012 Lee et al. D26/28
D680,249 S * 4/2013 Iwai et al. D26/28
D688,823 S * 8/2013 Binder et al. D26/28
D691,754 S * 10/2013 Chen et al. D26/28
D694,441 S * 11/2013 Johnson D26/28
D708,770 S * 7/2014 Lai D26/28
D712,078 S * 8/2014 Muntada Roura D26/28
D723,723 S * 3/2015 Goto D26/28

* cited by examiner

Primary Examiner — Clare E Heflin

(74) *Attorney, Agent, or Firm* — Mickki D. Murray; Parks Wood LLC

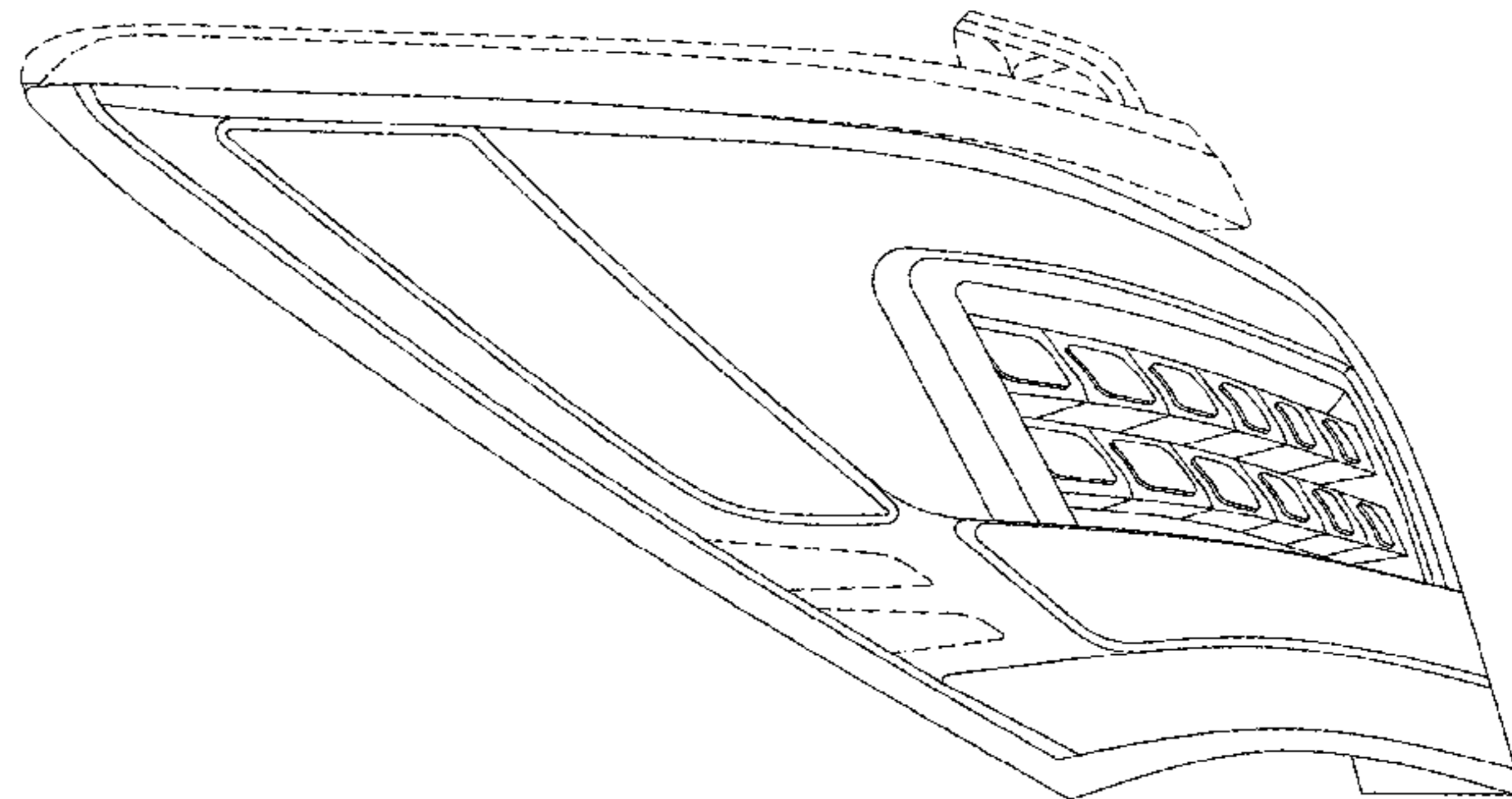
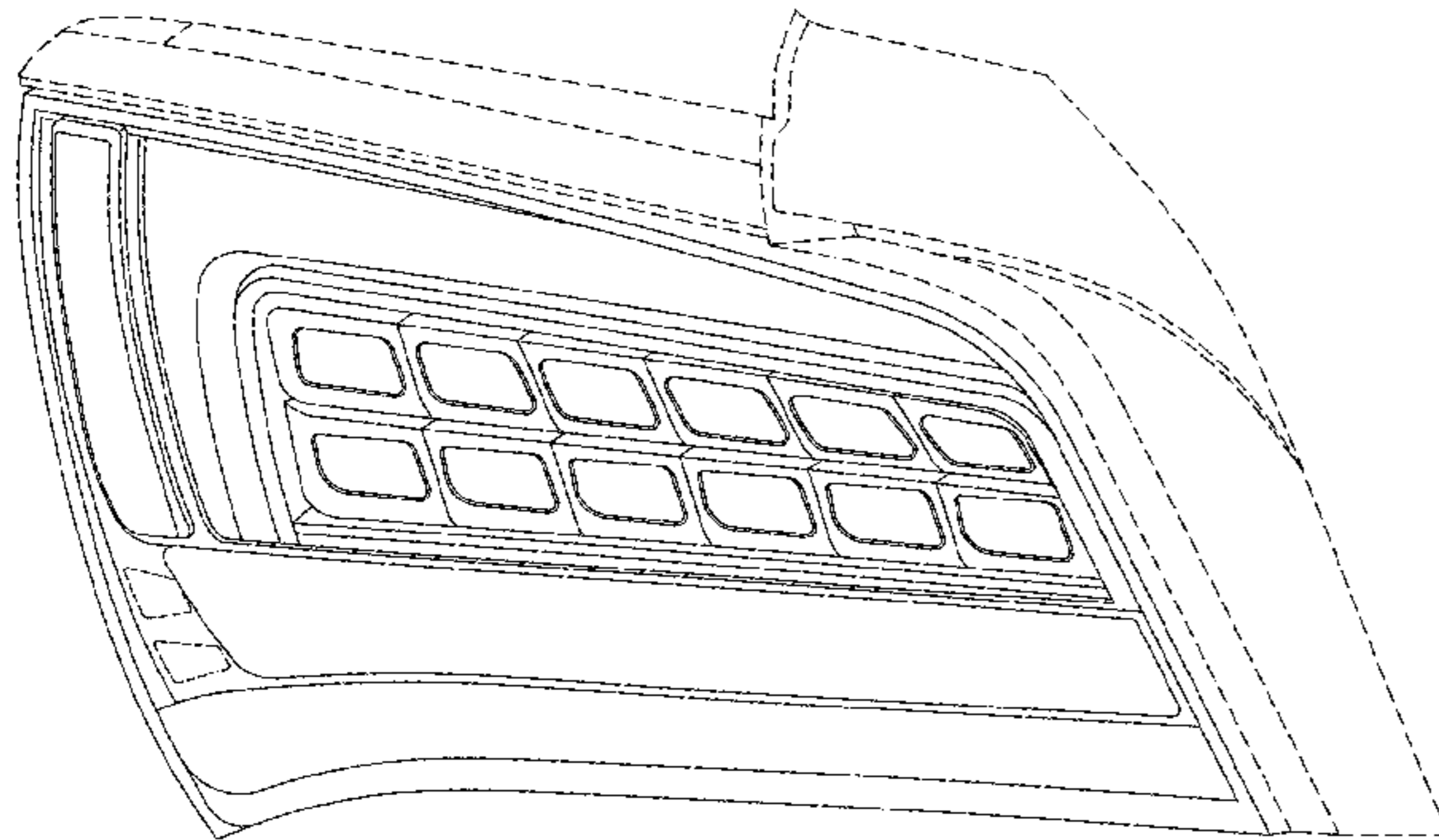
(57) **CLAIM**

The ornamental design for a vehicle rear lamp, as shown and described.

DESCRIPTION

FIG. 1 is a front view of a vehicle rear lamp showing the new design;
FIG. 2 is a top plan view, thereof;
FIG. 3 is a side view thereof; and,
FIG. 4 is a perspective view thereof.
The broken lines shown in the drawings illustrate portions of the vehicle rear lamp that form no part of claimed design.

1 Claim, 2 Drawing Sheets



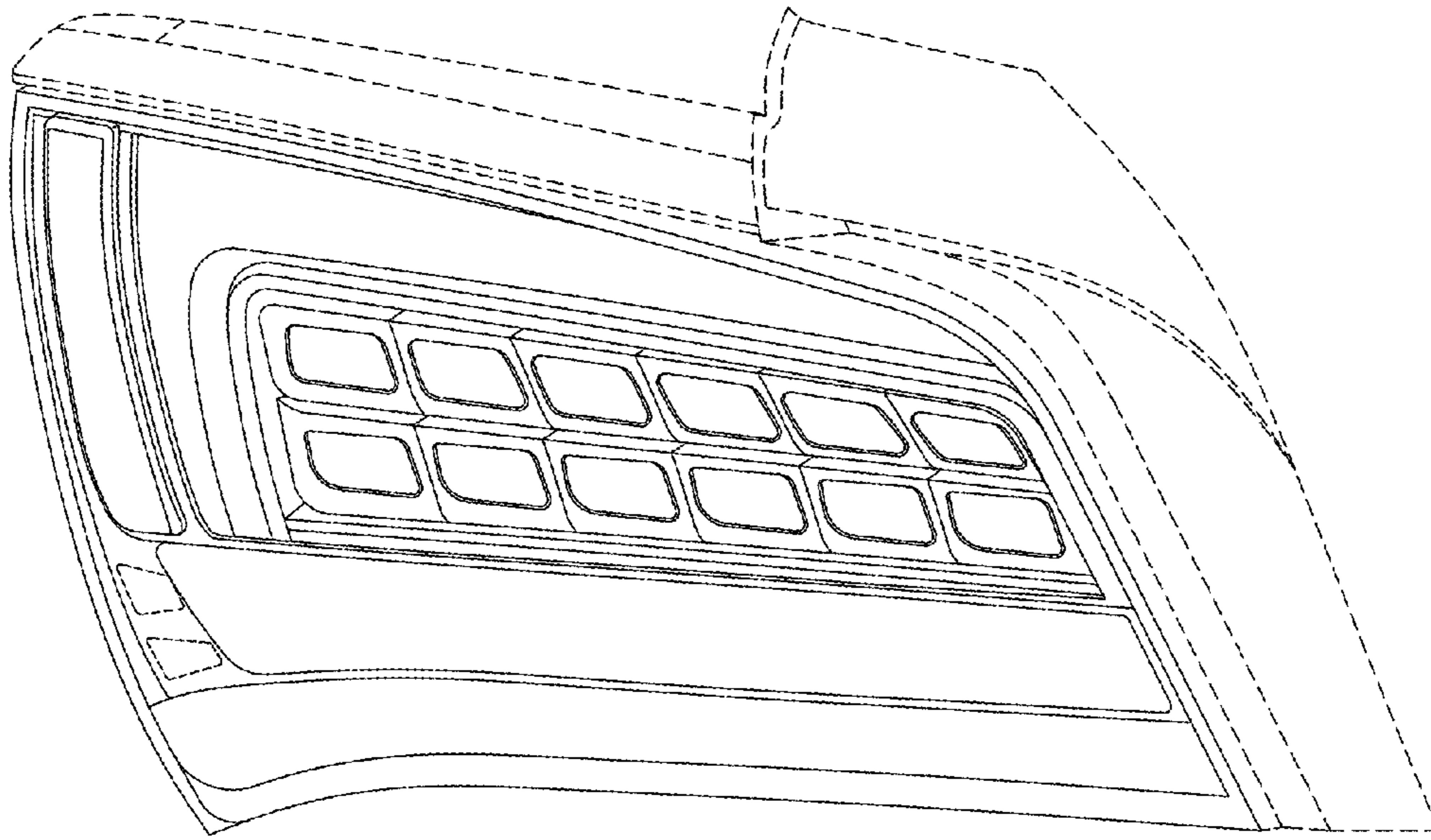


Fig-1

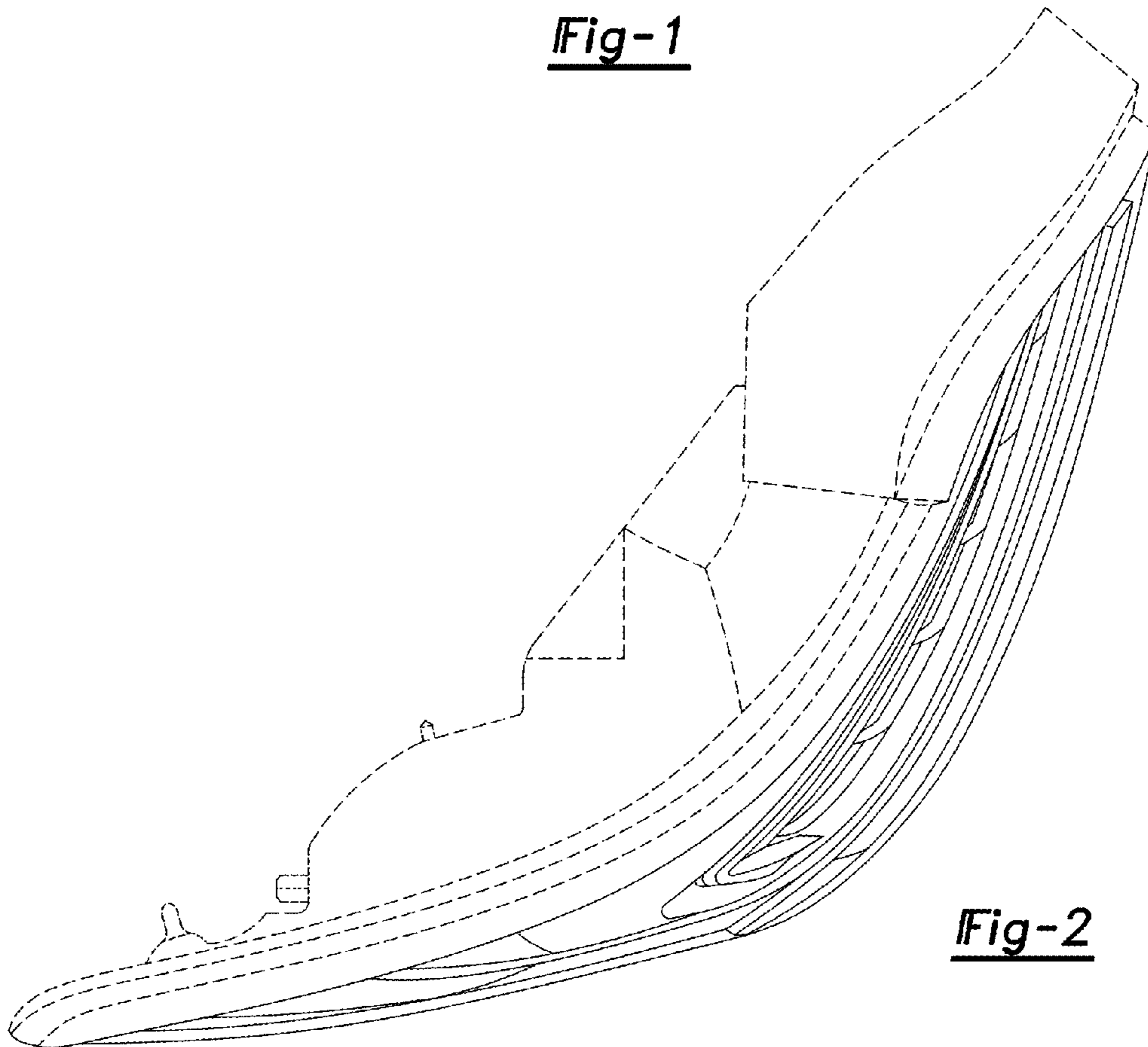


Fig-2

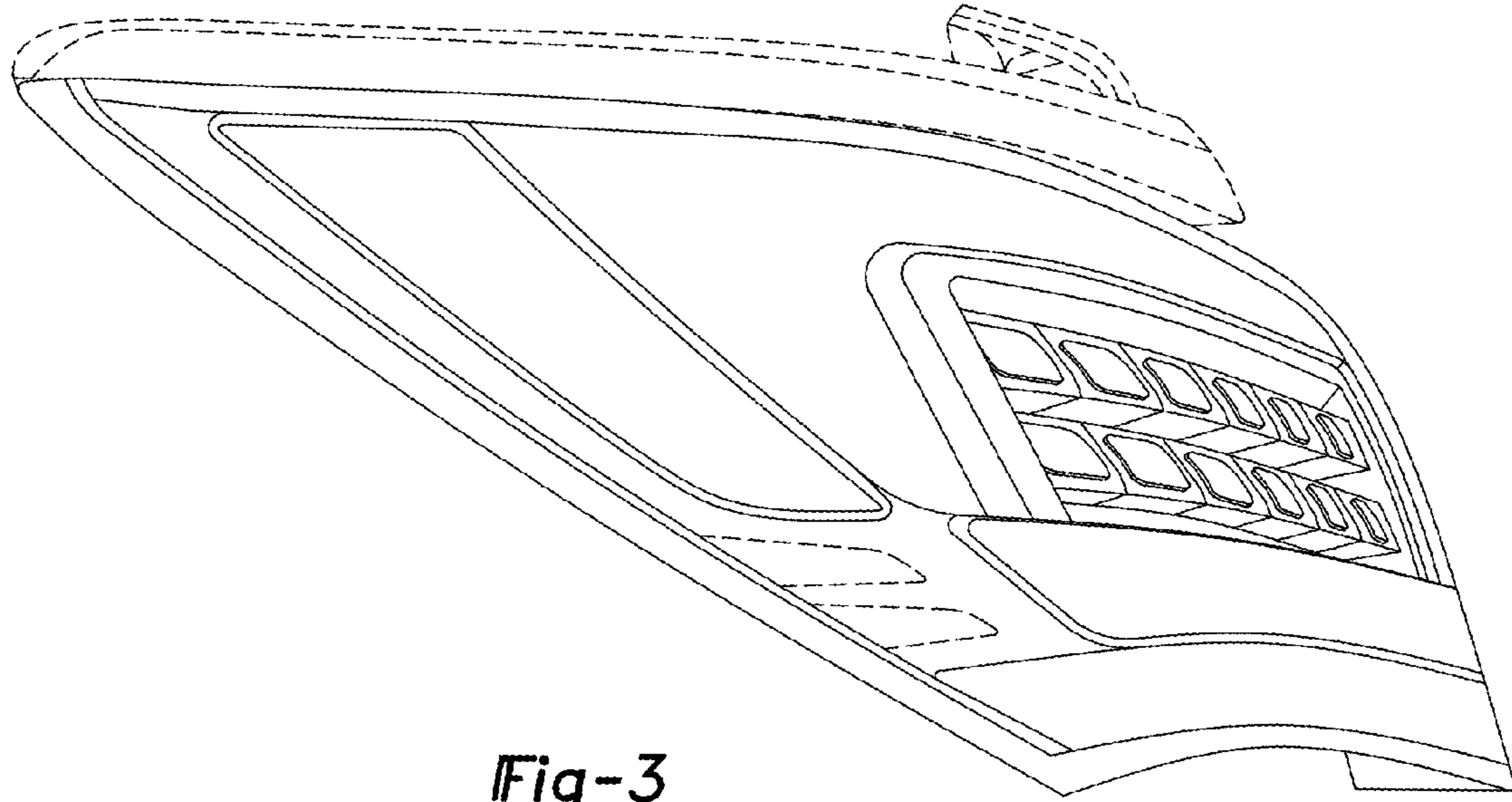


Fig-3

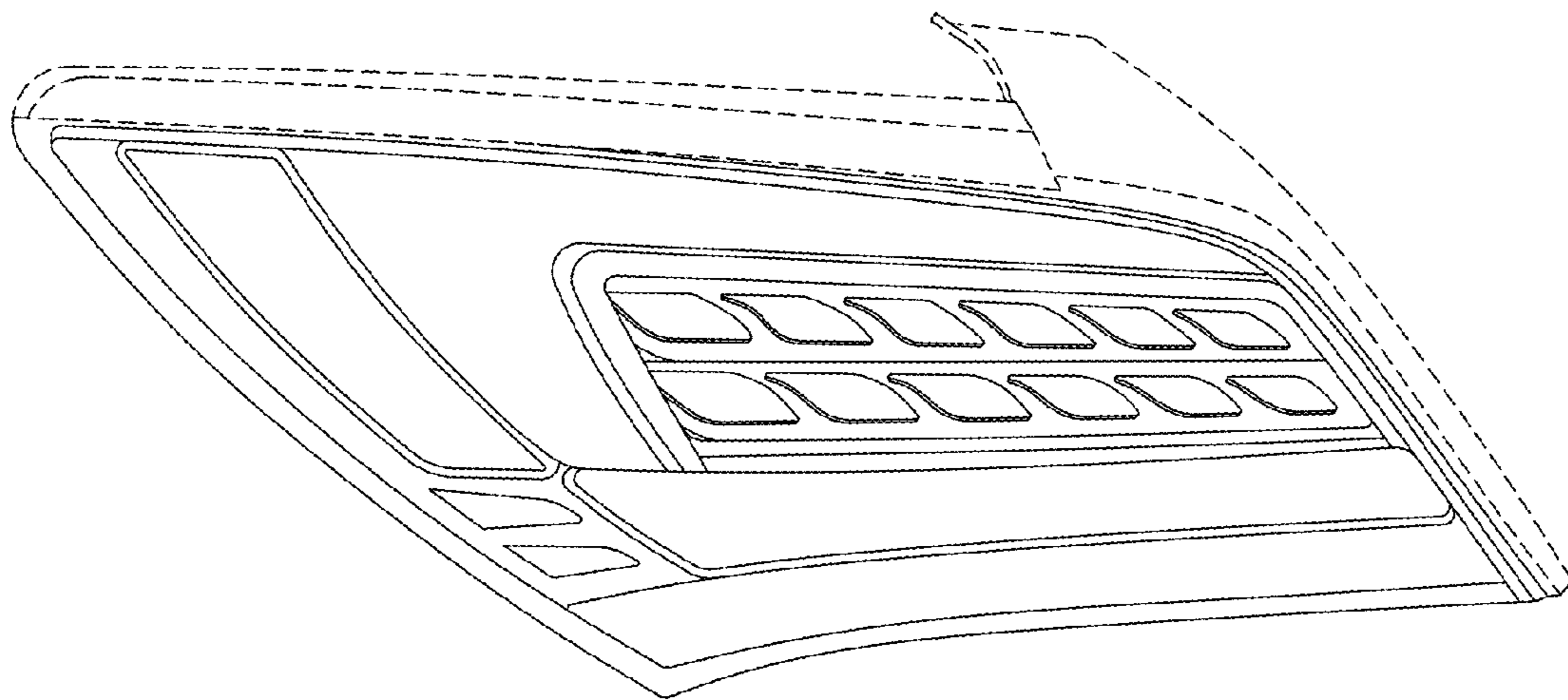


Fig-4