



US00D736970S

(12) **United States Design Patent**  
**Kuei-Lai**

(10) **Patent No.:** **US D736,970 S**

(45) **Date of Patent:** **\*\* Aug. 18, 2015**

(54) **LIGHT HEAD**

D598,144 S 8/2009 Ko  
D605,789 S 12/2009 Ko  
D606,690 S 12/2009 Orrom et al.

(71) Applicant: **Juluen Enterprise Co., Ltd.**, Shulin District, New Taipei (TW)

(Continued)

(72) Inventor: **Huang Kuei-Lai**, New Taipei (TW)

**OTHER PUBLICATIONS**

(73) Assignee: **JULUEN ENTERPRISES CO., LTD.**, New Taipei (TW)

Juluen Enterprises Co., Ltd., Specification Sheet for MS3BS, 2010.  
(Continued)

(\*\*) Term: **14 Years**

*Primary Examiner* — Wan Laymon

(21) Appl. No.: **29/470,873**

(74) *Attorney, Agent, or Firm* — King & Schickli, PLLC

(22) Filed: **Oct. 25, 2013**

(51) **LOC (10) Cl.** ..... **26-06**

(52) **U.S. Cl.**  
USPC ..... **D26/28; D10/114.1**

(58) **Field of Classification Search**  
USPC ..... D26/28–32, 72, 85; D10/114.1–114.5;  
362/263, 362, 351, 459, 329  
See application file for complete search history.

(57) **CLAIM**

The ornamental design for a light head, as shown and described.

**DESCRIPTION**

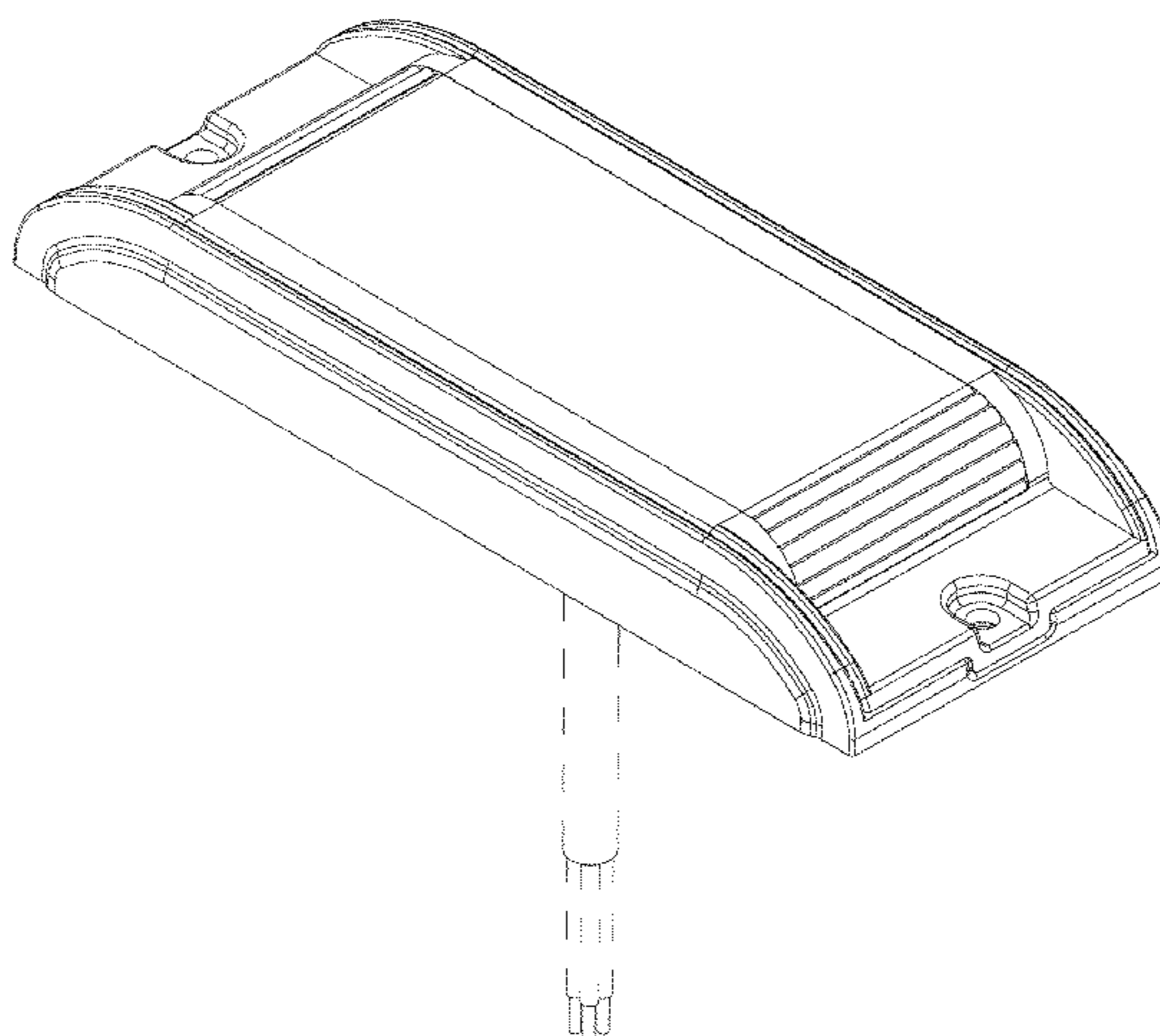
(56) **References Cited**

**U.S. PATENT DOCUMENTS**

D120,741 S	5/1940	Naylor	
D235,222 S	5/1975	Larson	
D242,945 S	1/1977	Moore	
D359,574 S	6/1995	Bornhorst et al.	
D486,259 S	2/2004	Crawford et al.	
D490,172 S	5/2004	Yamamoto	
D512,790 S	* 12/2005	Handsaker et al.	D26/28
D549,367 S	* 8/2007	Hovind et al.	D26/28
D552,782 S	10/2007	Korpi	
D554,279 S	10/2007	Jeffries	
D564,683 S	3/2008	Roach et al.	
D564,928 S	3/2008	Belitz et al.	
D570,009 S	5/2008	Kani et al.	
D572,856 S	7/2008	Kehl et al.	
D574,978 S	8/2008	Hyodo et al.	
D583,490 S	* 12/2008	Rogers et al.	D26/28
D589,835 S	4/2009	Pokorny	
D595,172 S	* 6/2009	Pokorny	D10/114.1

FIG. 1 is a perspective view of a first embodiment of a light head;  
 FIG. 2 is a top view of the first embodiment of the light head;  
 FIG. 3 is a front view of the first embodiment of the light head, the opposite rear view being identical;  
 FIG. 4 is a side view of the first embodiment of the light head, the opposite side view being identical;  
 FIG. 5 is a bottom view of the first embodiment of the light head;  
 FIG. 6 is a perspective view of a second embodiment of the light head;  
 FIG. 7 is a top view of the second embodiment of the light head;  
 FIG. 8 is a front view of the second embodiment of the light head, the opposite rear view being identical;  
 FIG. 9 is a side view of the second embodiment of the light head, the opposite side view being identical; and,  
 FIG. 10 is a bottom view of the second embodiment of the light head.  
 The broken lines shown in the figures represent portions of the light head that form no part of the claimed design.

**1 Claim, 10 Drawing Sheets**



(56)

**References Cited**

U.S. PATENT DOCUMENTS

D610,725 S 2/2010 Georgitsis et al.  
D614,521 S 4/2010 Lyons  
D618,377 S 6/2010 Toft  
D620,187 S 7/2010 Quadri  
D639,983 S 6/2011 Quadri  
D647,418 S 10/2011 Miller et al.  
D649,673 S 11/2011 Liang et al.  
D667,582 S 9/2012 Toft

D668,168 S 10/2012 Chen  
D673,701 S \* 1/2013 Davies ..... D26/28  
D676,162 S 2/2013 Adams  
D682,133 S 5/2013 Chen  
D687,178 S \* 7/2013 Grandsart et al. .... D26/85  
D694,928 S 12/2013 Chen  
D697,241 S 1/2014 Chen

OTHER PUBLICATIONS

Juluen Enterprises Co., Ltd., Specification Sheet for MS6BS, 2010.

\* cited by examiner

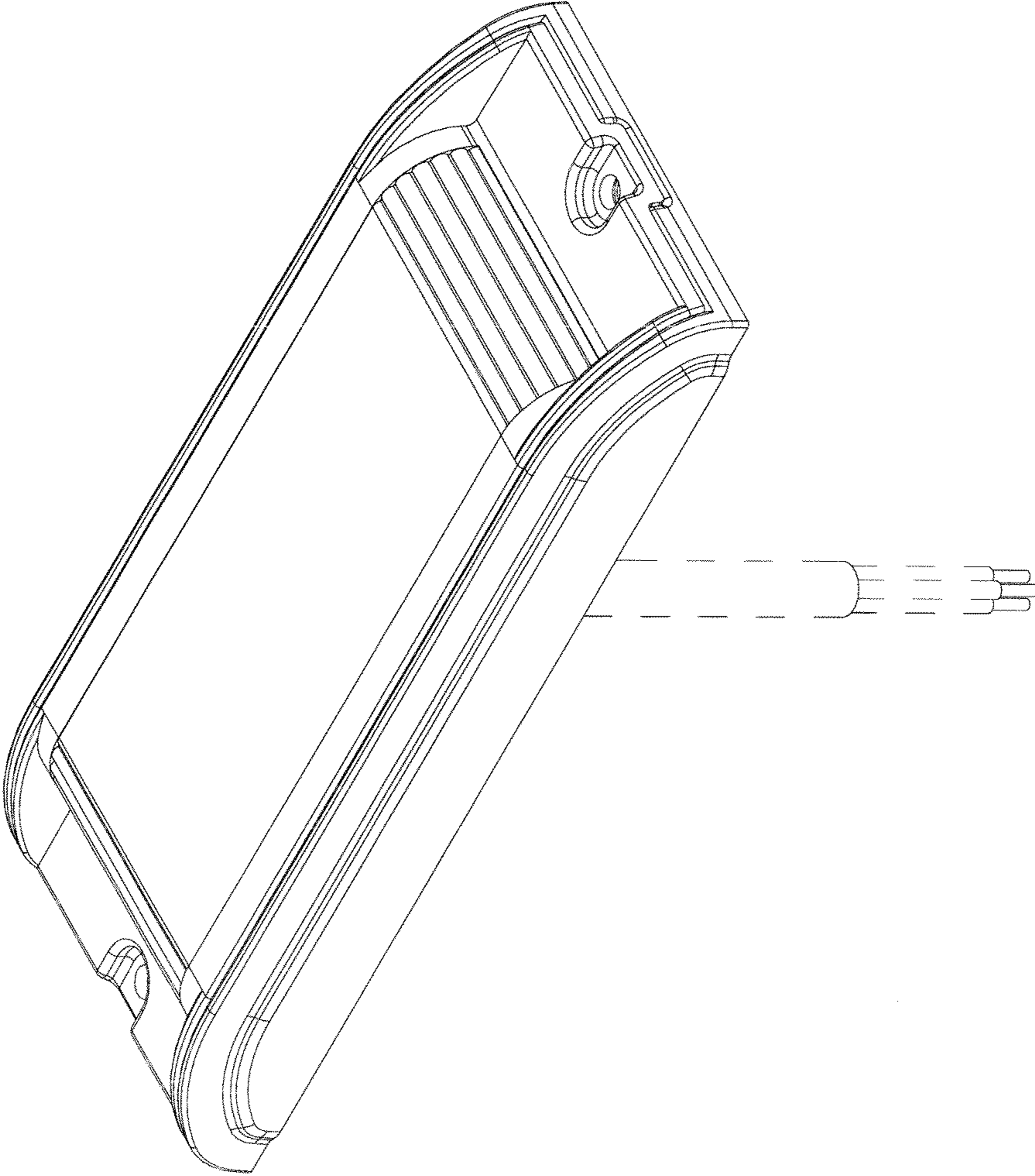


Fig. 1

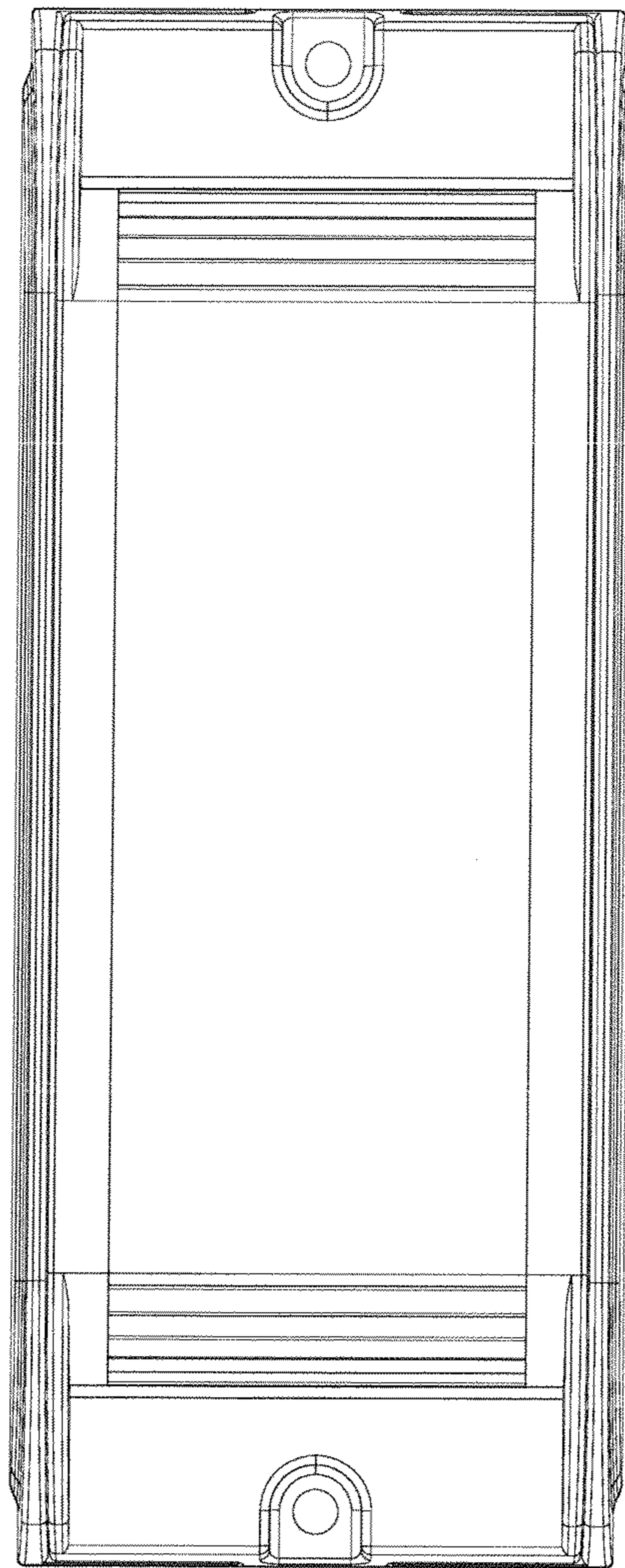


Fig. 2

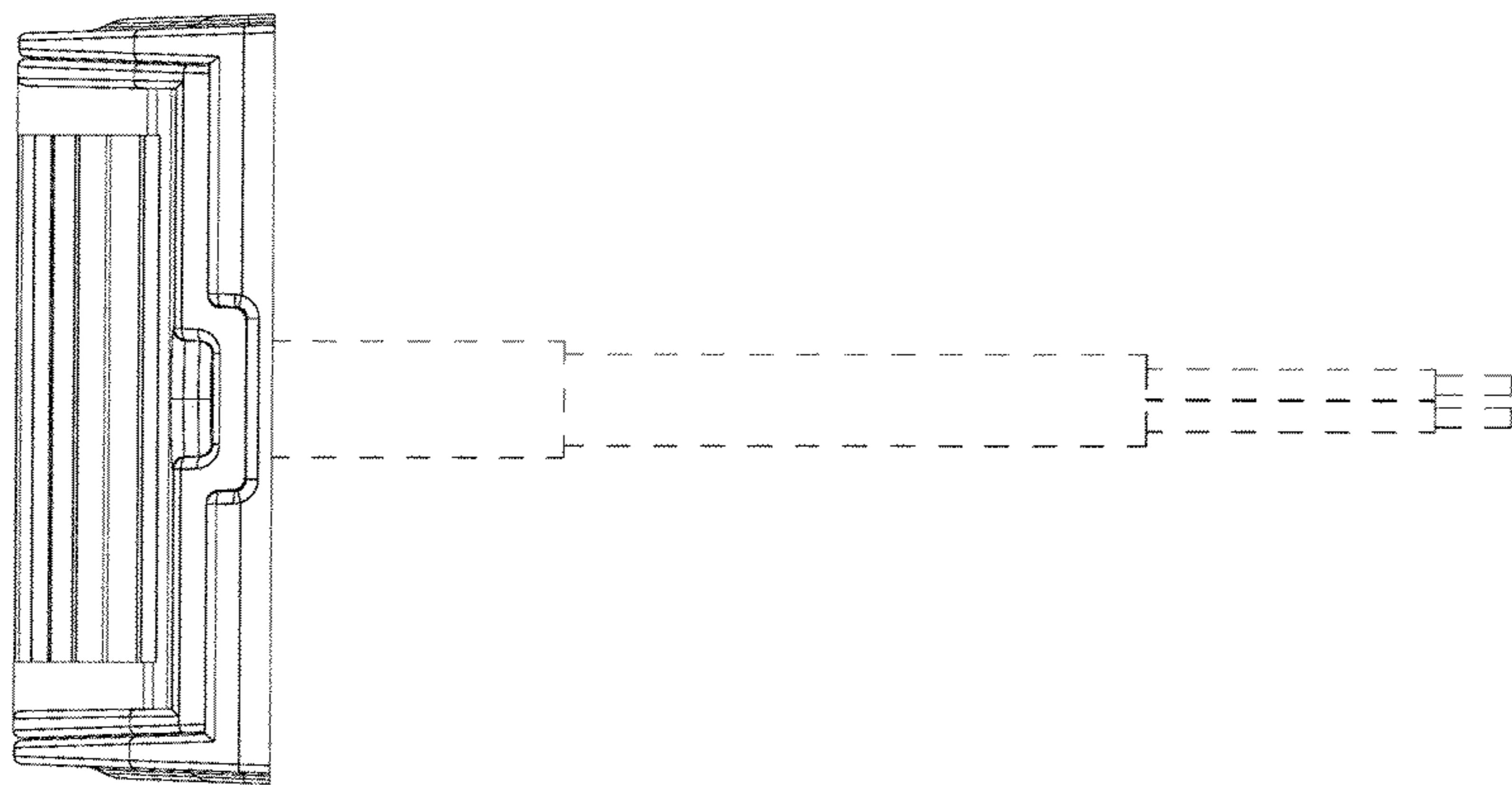


Fig. 3

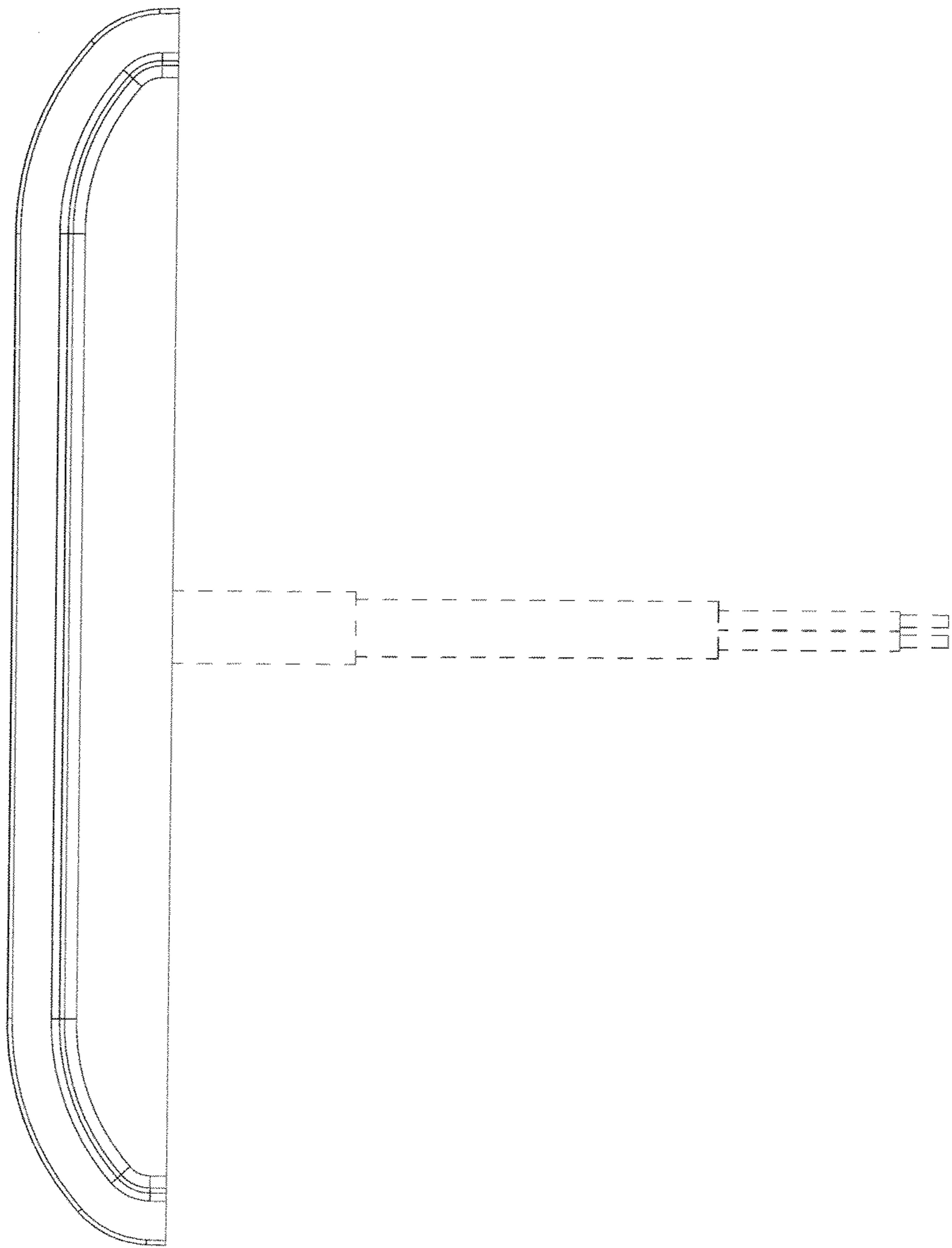


Fig. 4

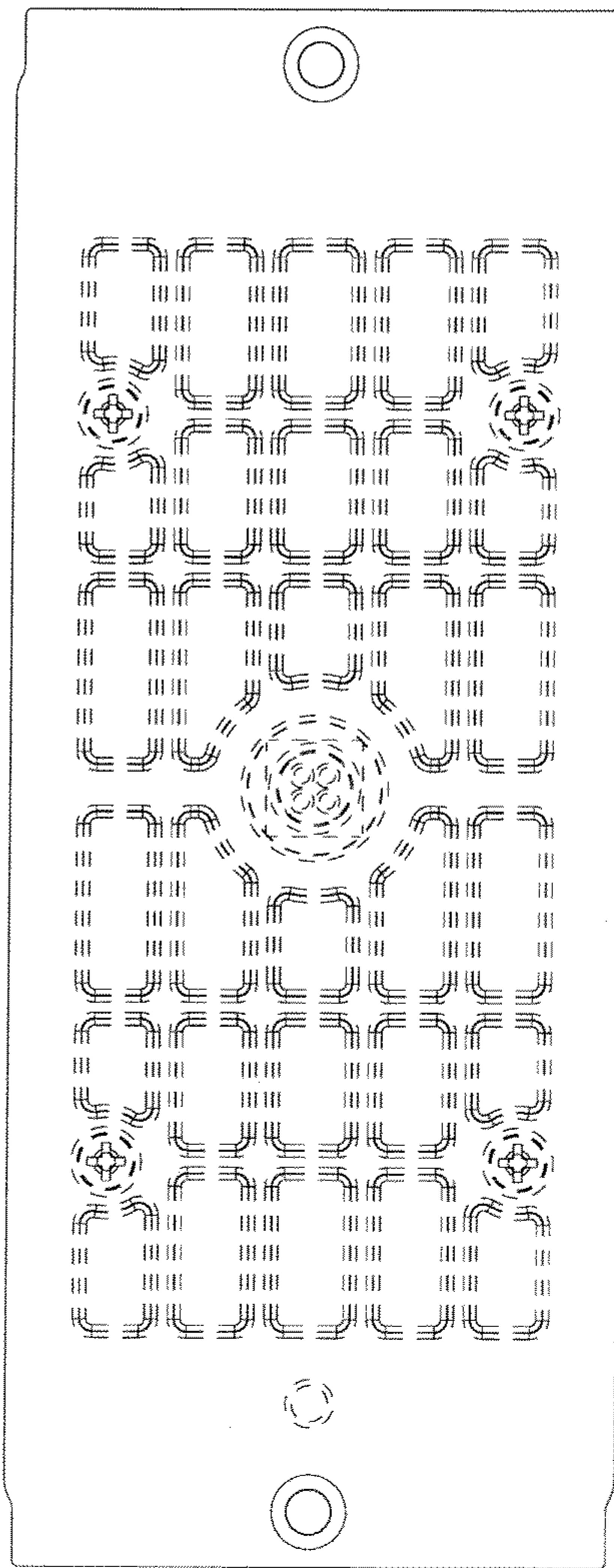


Fig. 5

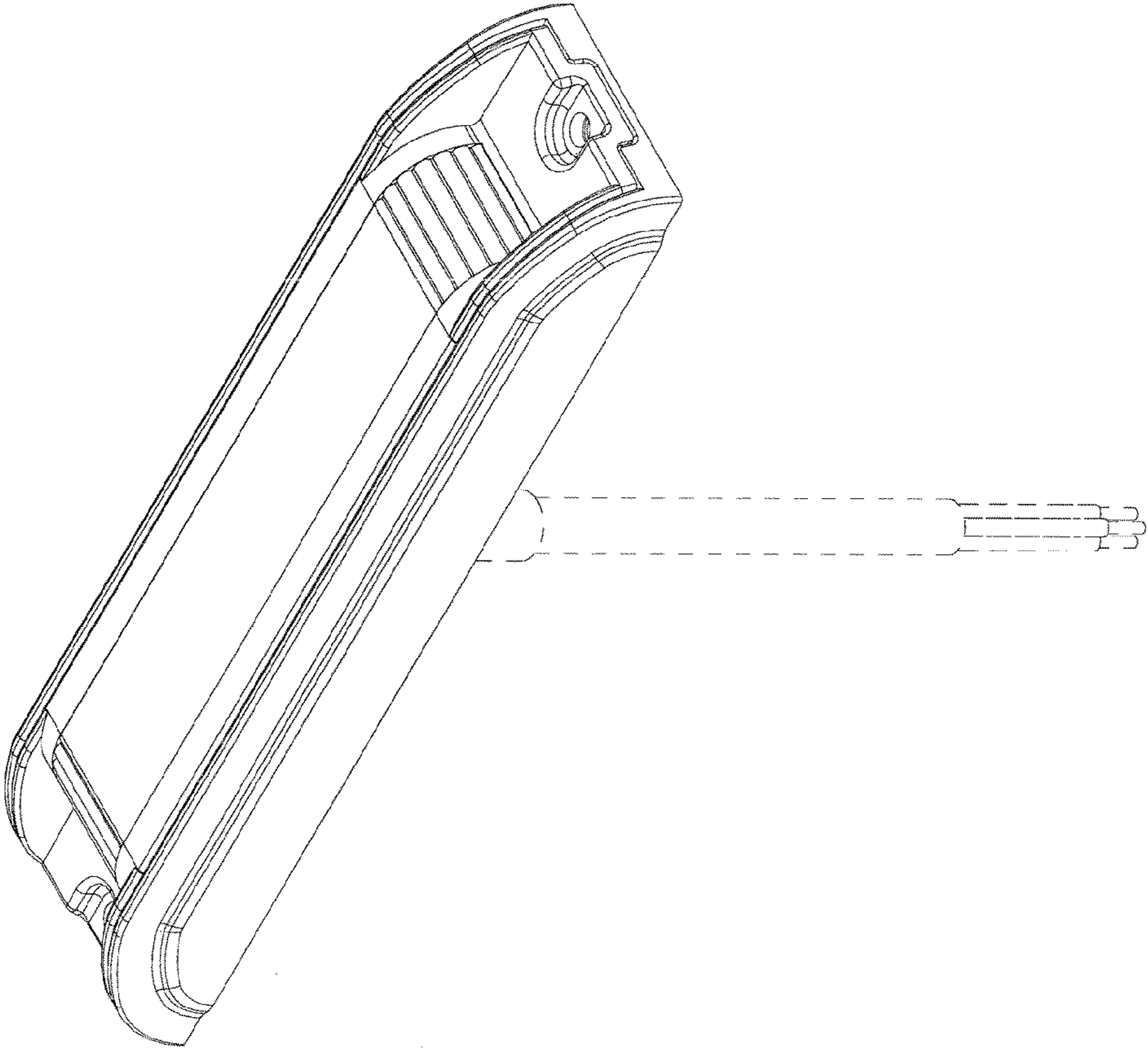


Fig. 6



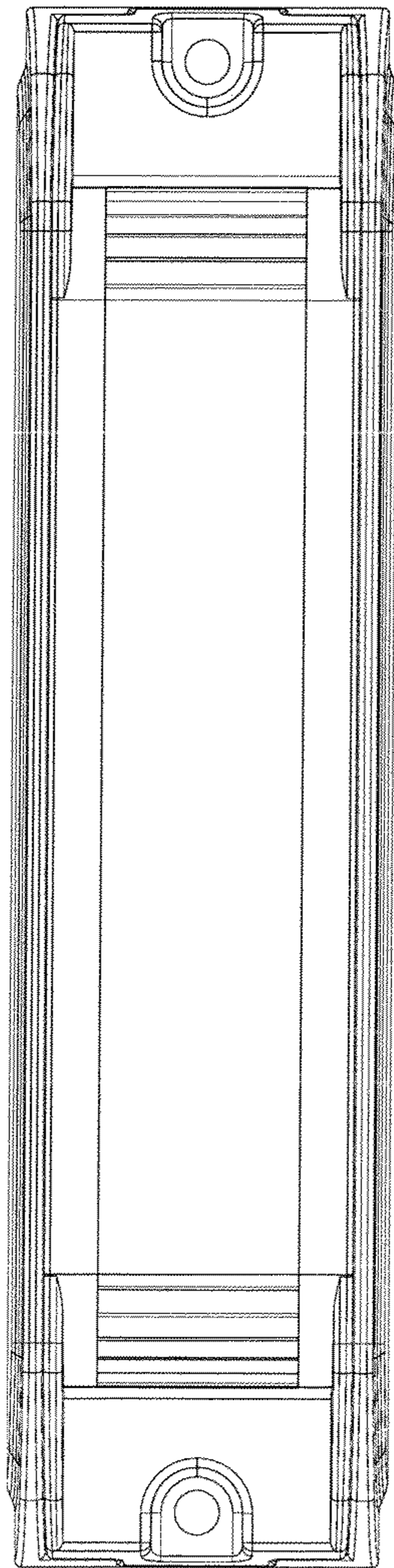


Fig. 7

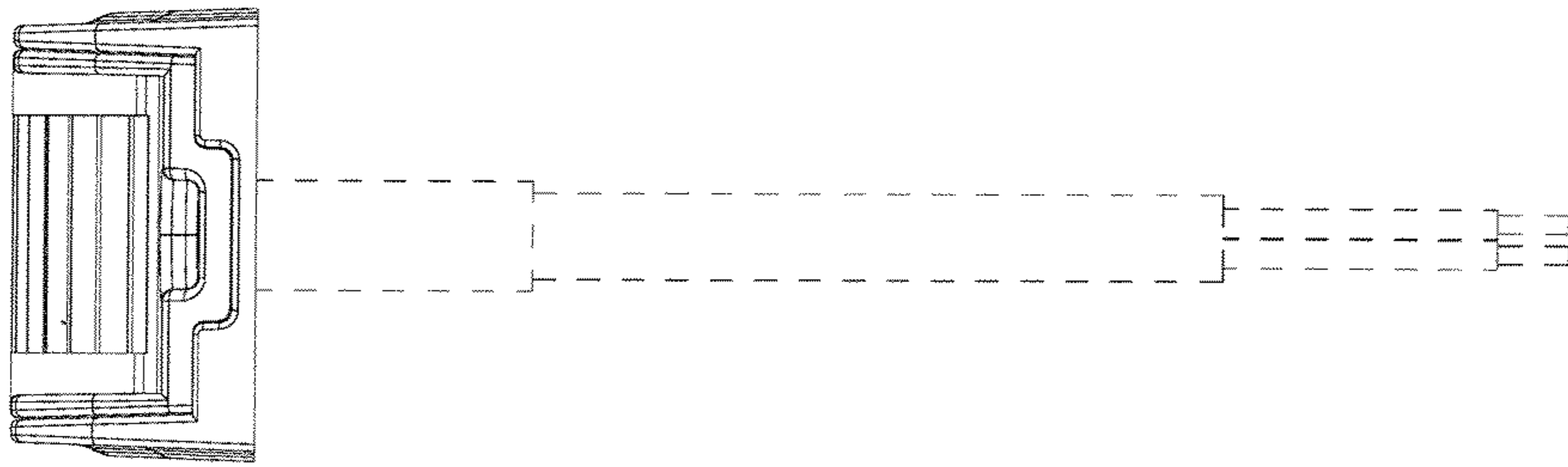


Fig. 8

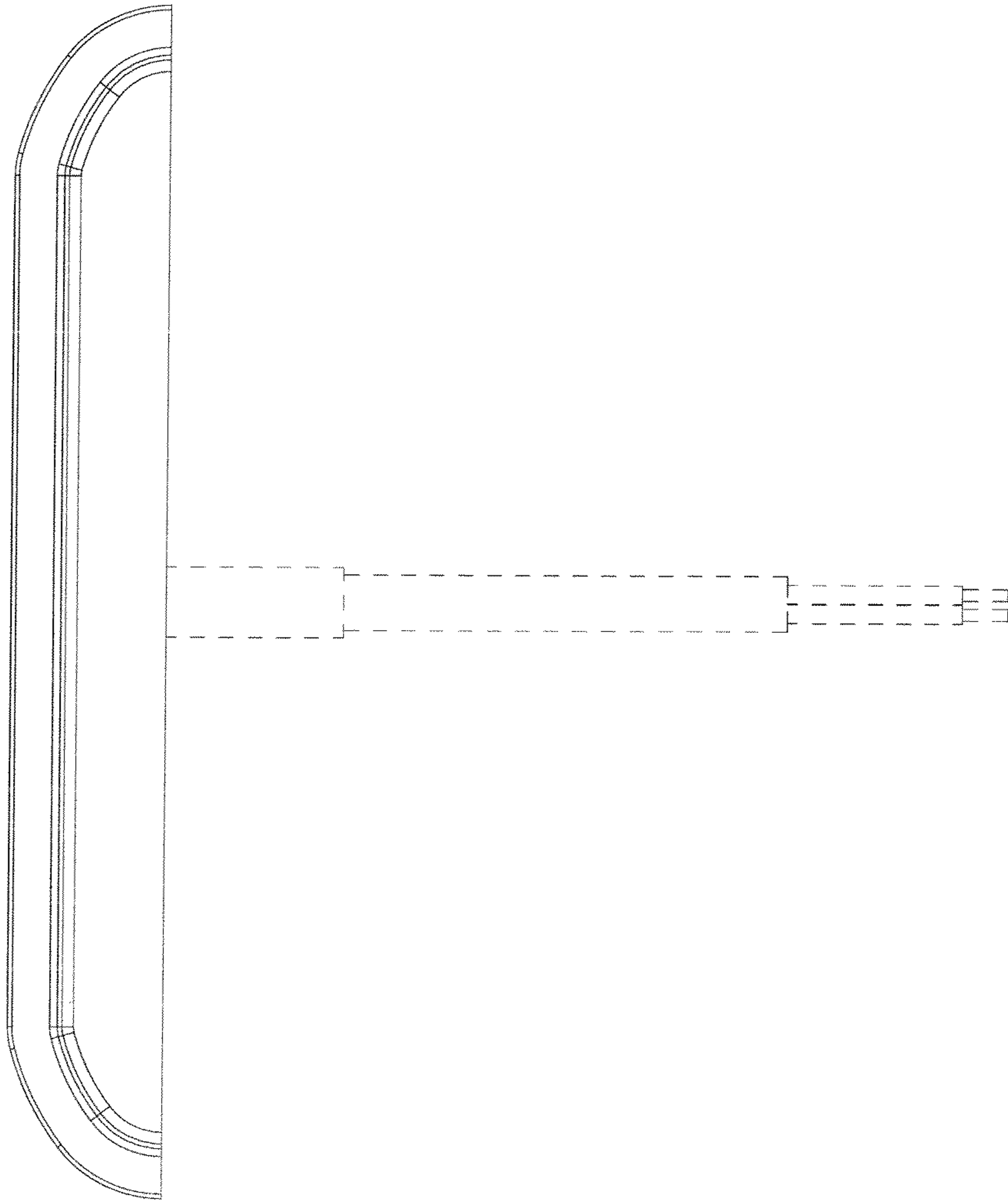


Fig. 9

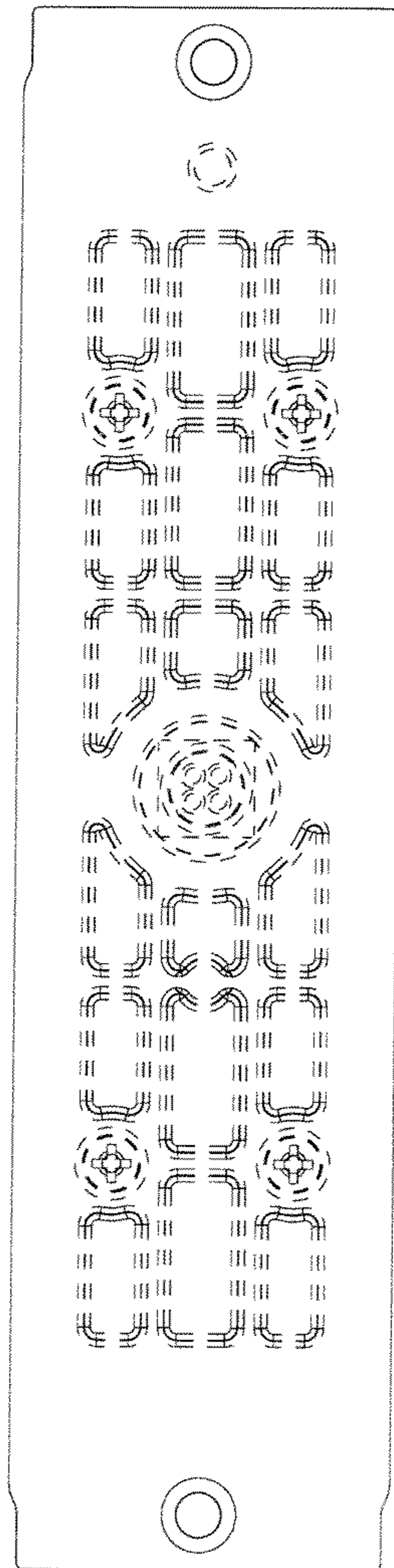


Fig. 10