



US00D736969S

(12) **United States Design Patent**  
**Selvaag**

(10) **Patent No.:** **US D736,969 S**

(45) **Date of Patent:** **\*\* Aug. 18, 2015**

(54) **HEADLIGHT FOR A VEHICLE**

(71) Applicant: **Bayerische Motoren Werke Aktiengesellschaft, Munich (DE)**

(72) Inventor: **Per Ivar Selvaag, Fogn (NO)**

(73) Assignee: **Bayerische Motoren Werke Aktiengesellschaft, Munich (DE)**

(\*\*) Term: **14 Years**

(21) Appl. No.: **29/456,888**

(22) Filed: **Jun. 5, 2013**

(30) **Foreign Application Priority Data**

Dec. 6, 2012 (DE) ..... 40 2012 101 056

(51) **LOC (10) Cl.** ..... **26-06**

(52) **U.S. Cl.**  
USPC ..... **D26/28**

(58) **Field of Classification Search**  
USPC ..... D26/28-36; 362/459-468, 475-478, 362/485-487  
CPC ..... B60Q 1/2615; B60Q 1/32; B60Q 1/2607; B60Q 1/0458; F21W 2101/02; F21S 48/10; F21S 48/1225; F21V 5/00; B61L 15/02; B62J 6/02; B62J 6/00; B62J 2006/008; B62J 2099/0033

See application file for complete search history.

(56) **References Cited**

**U.S. PATENT DOCUMENTS**

D538,956 S \* 3/2007 Ishii ..... D26/28  
D560,291 S \* 1/2008 Koyama ..... D26/28  
D561,358 S \* 2/2008 Tachibana ..... D26/28  
D593,691 S 6/2009 Habib  
D667,153 S 9/2012 Huet  
D667,576 S 9/2012 Huet  
D681,243 S \* 4/2013 Tsai ..... D26/28

(Continued)

**FOREIGN PATENT DOCUMENTS**

WO DM/069951 10/2008  
WO DM/070264 12/2008

(Continued)

*Primary Examiner* — Wan Laymon

(74) *Attorney, Agent, or Firm* — Crowell & Moring LLP

(57) **CLAIM**

The ornamental design for a headlight for a vehicle, as shown and described.

**DESCRIPTION**

This application contains subject matter related to the following co-pending U.S. design patent applications:

Application Ser. No. 29/456,880, filed herewith and entitled “Vehicle, Toy, and/or Replicas Thereof”;

Application Ser. No. 29/456,881, filed herewith and entitled “Vehicle, Toy, and/or Replicas Thereof”; and

Application Ser. No. 29/456,882, filed herewith and entitled “Vehicle, Toy, and/or Replicas Thereof”.

FIG. 1 is a front view of a first embodiment of a headlight for a vehicle according to the design;

FIG. 2 is a right, front perspective view thereof;

FIG. 3 is a left, front perspective view thereof;

FIG. 4 is a right side view thereof;

FIG. 5 is a left side view thereof;

FIG. 6 is a top view thereof;

FIG. 7 is a bottom view thereof; and

FIG. 8 is a rear view thereof.

FIG. 9 is a front view of a second embodiment of the headlight for a vehicle according to the design;

FIG. 10 is a right, front perspective view thereof;

FIG. 11 is a left, front perspective view thereof;

FIG. 12 is a right side view thereof;

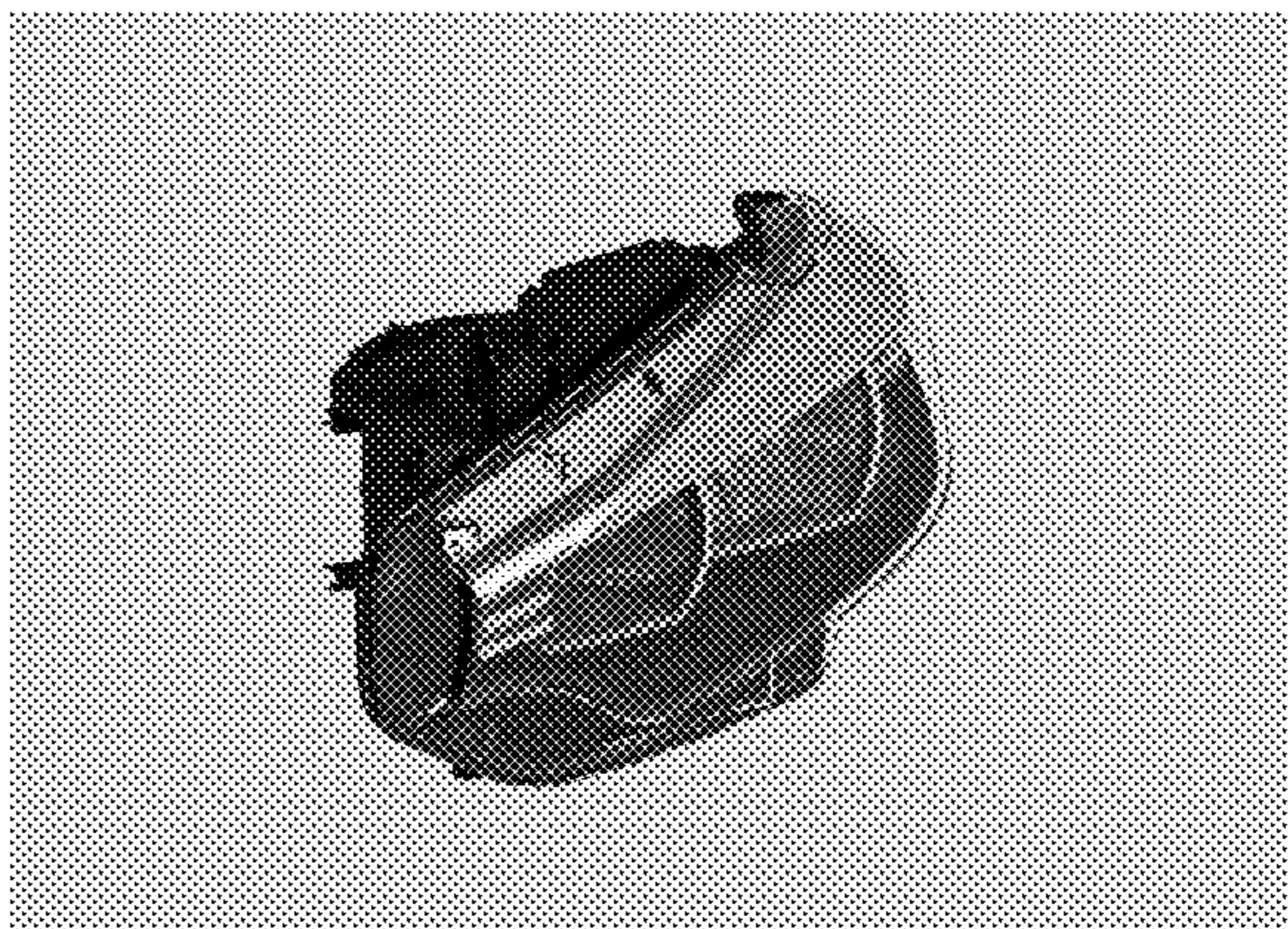
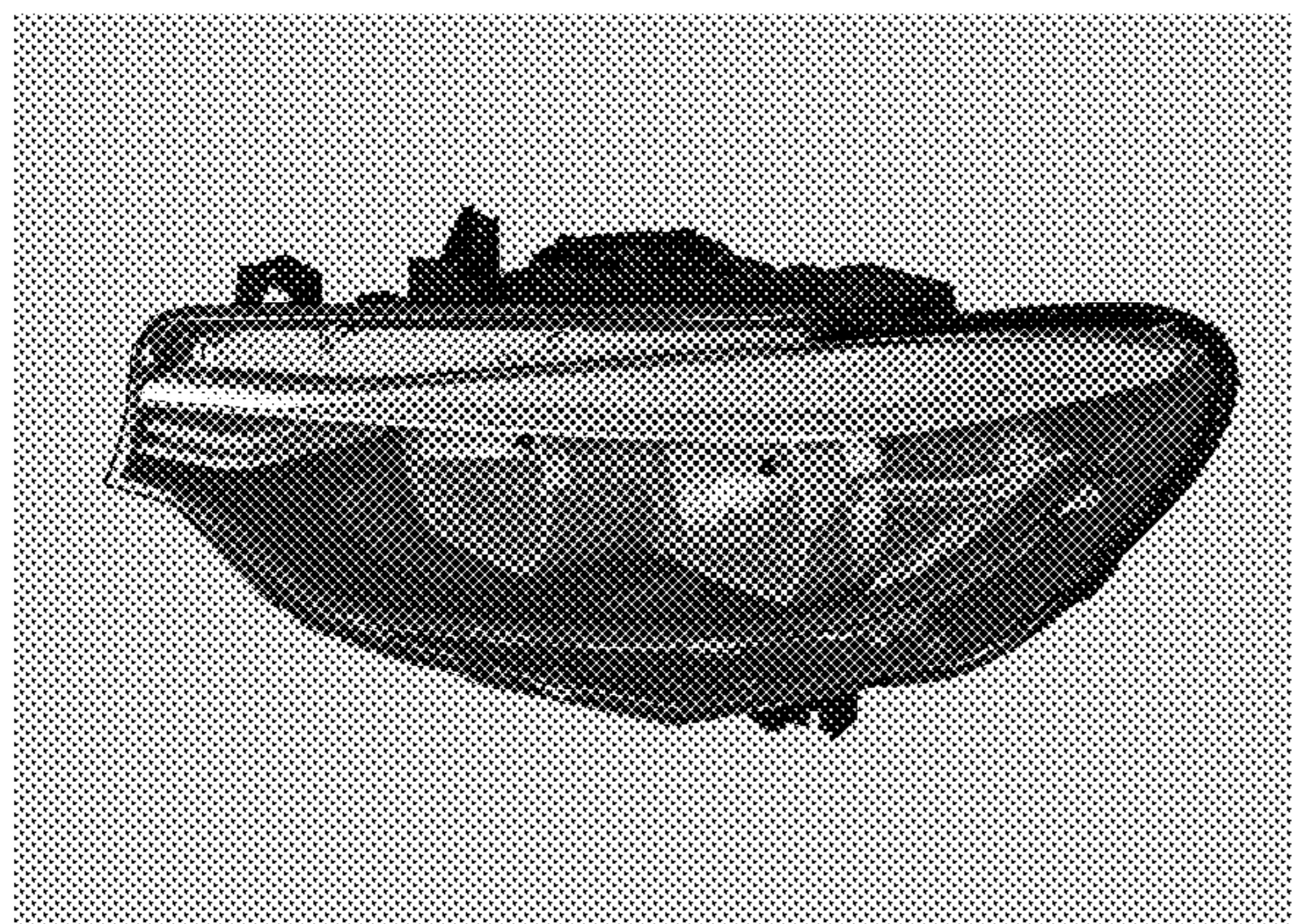
FIG. 13 is a left side view thereof;

FIG. 14 is a top view thereof;

FIG. 15 is a bottom view thereof; and,

FIG. 16 is a rear view thereof.

**1 Claim, 16 Drawing Sheets**



(56)

**References Cited**

D726,353 S \* 4/2015 Yagihashi ..... D26/28

U.S. PATENT DOCUMENTS

FOREIGN PATENT DOCUMENTS

D686,355 S 7/2013 Morgenstern  
D686,356 S 7/2013 Morgenstern  
D718,893 S \* 12/2014 Lai ..... D26/28  
D721,450 S \* 1/2015 Lai ..... D26/28  
D723,724 S \* 3/2015 Johnson ..... D26/28

WO DM/076561 2/2012  
WO DM/076869 3/2012

\* cited by examiner



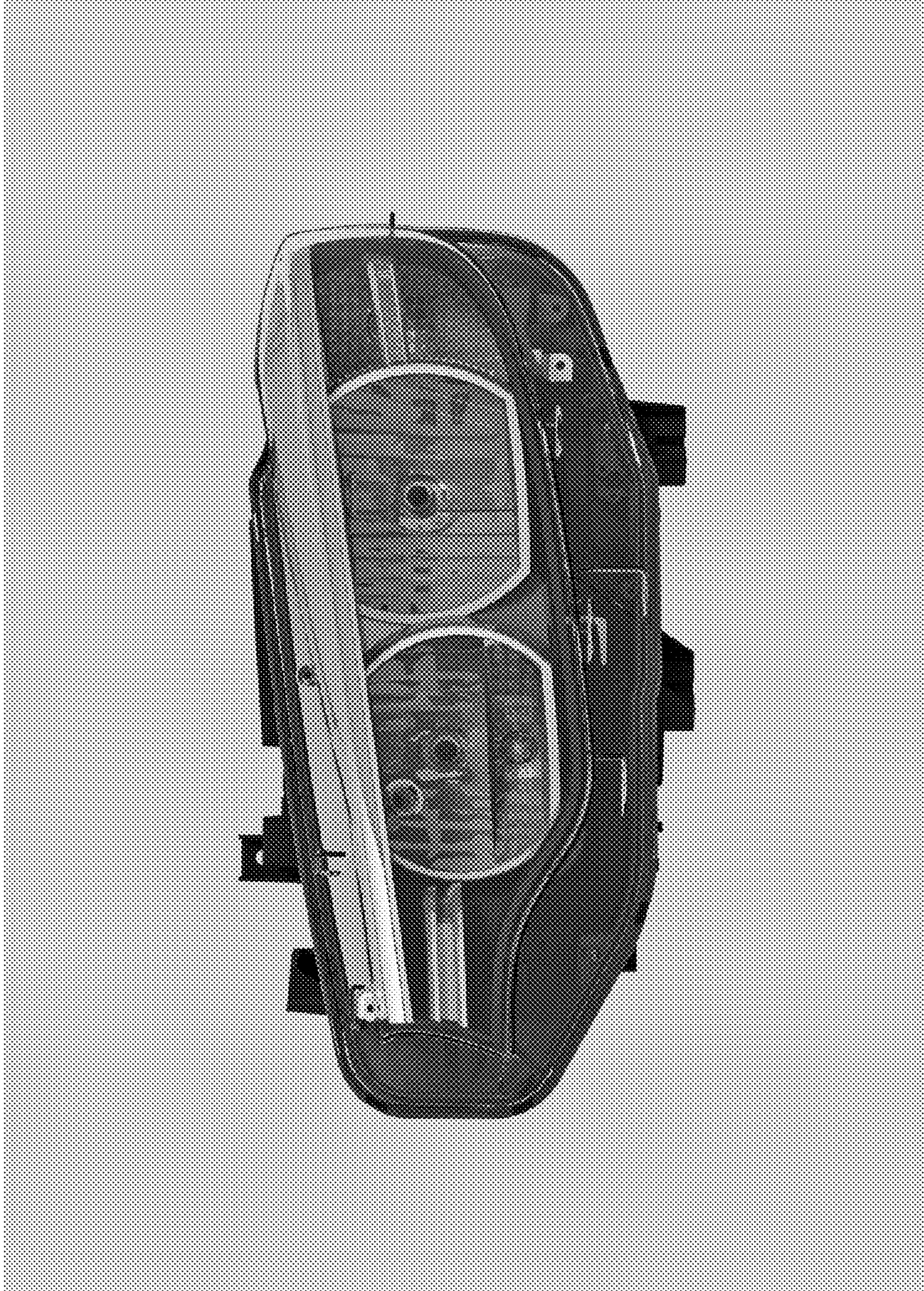


Fig. 1



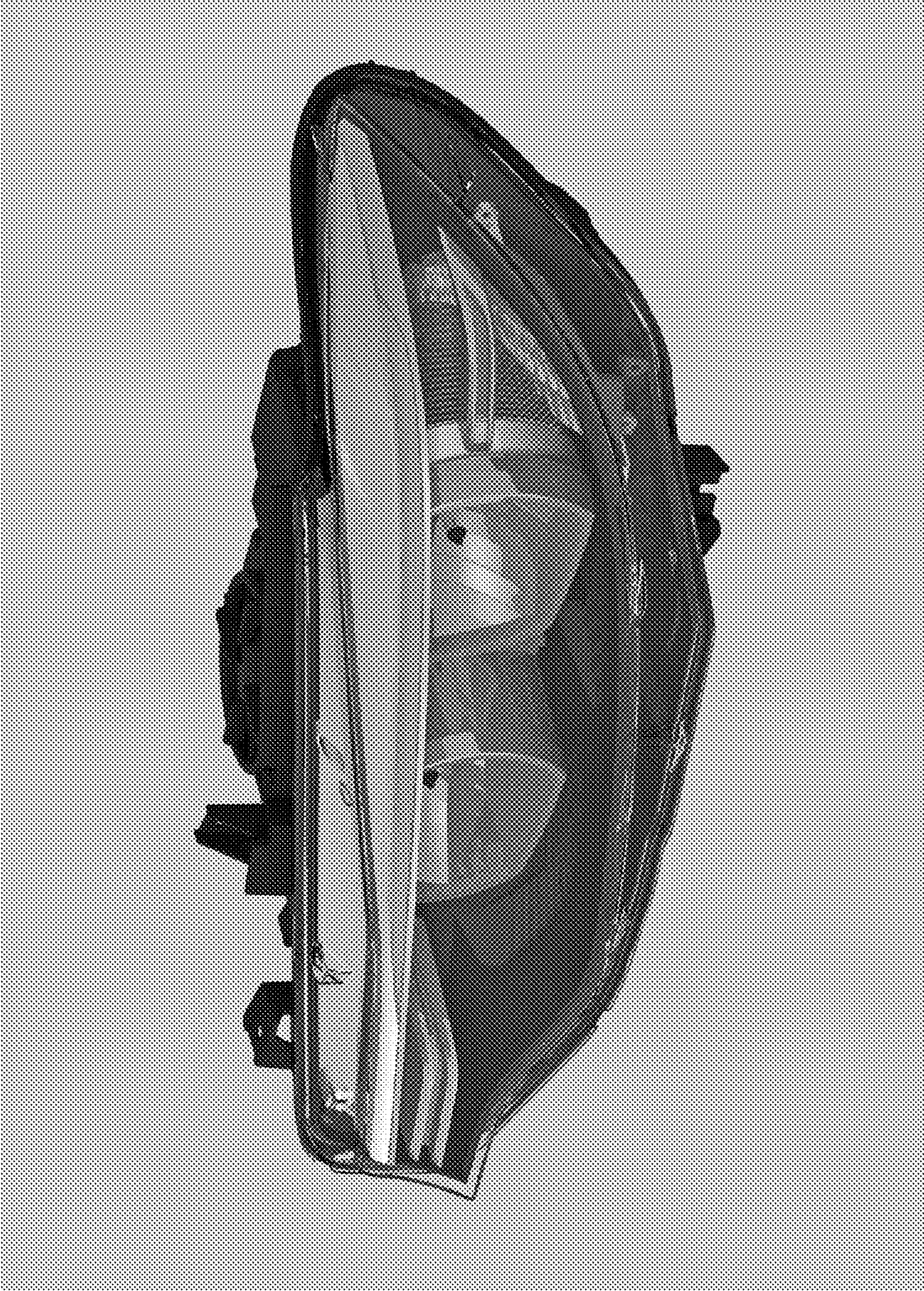


Fig. 2



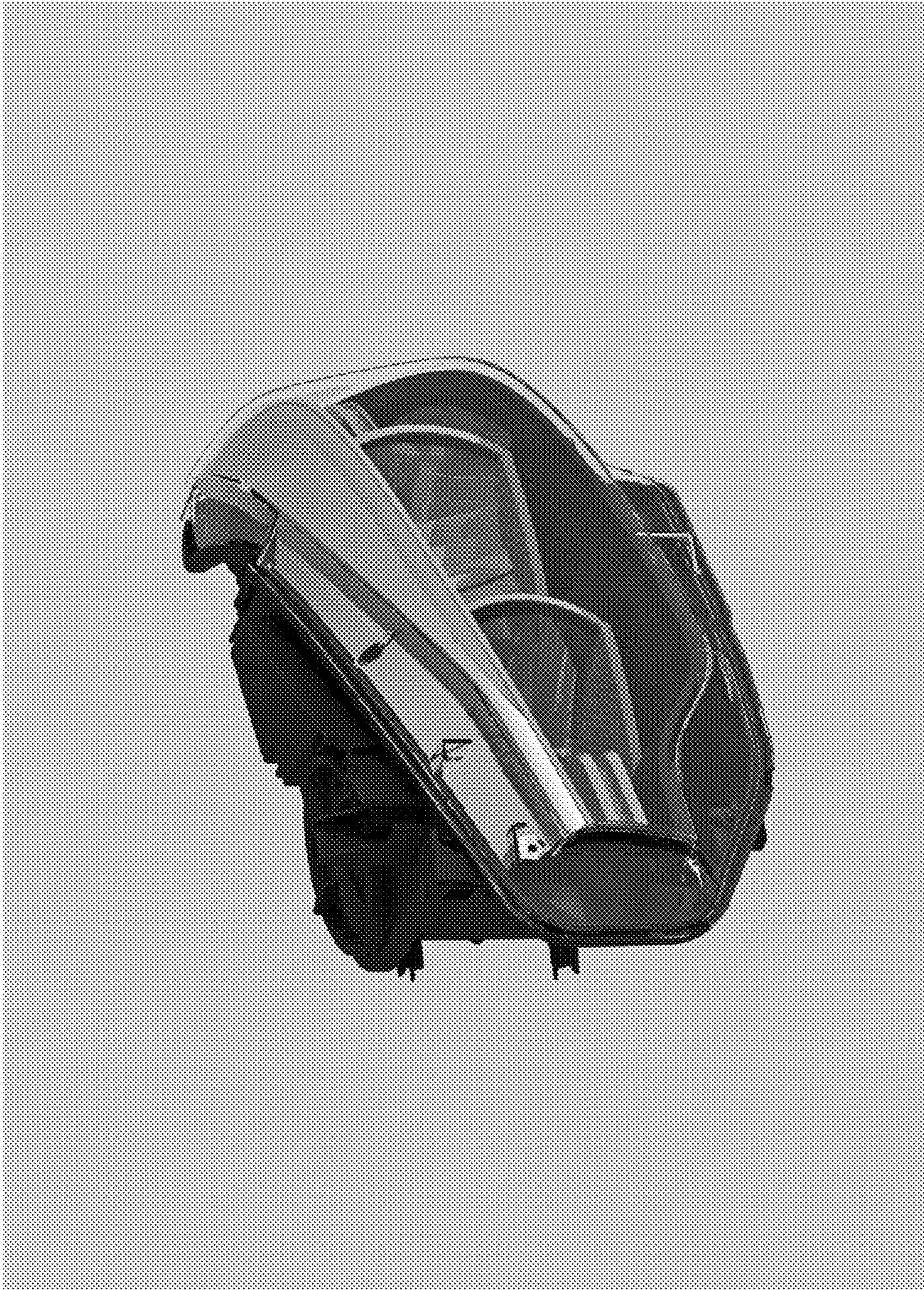


Fig. 3



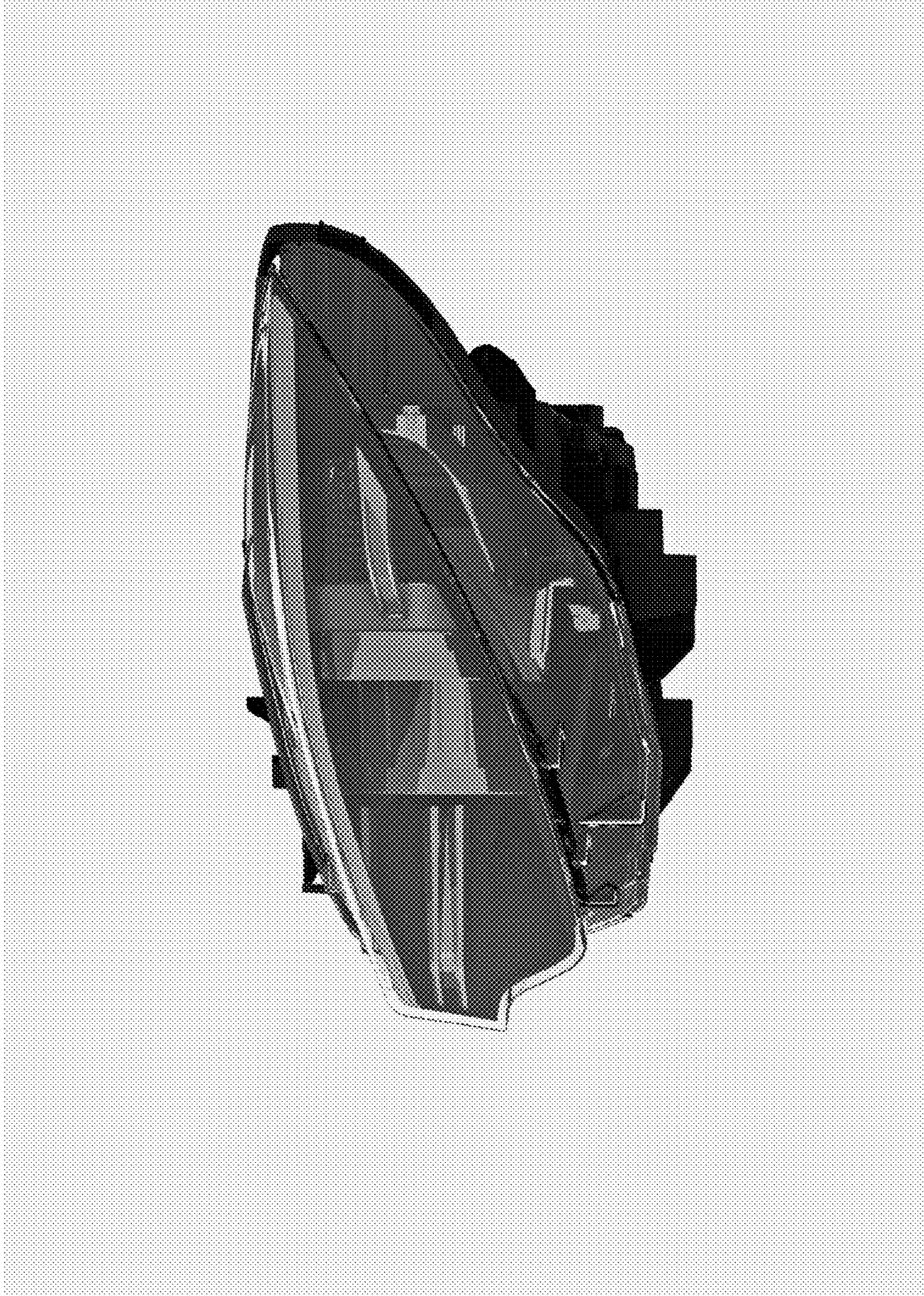


Fig. 4



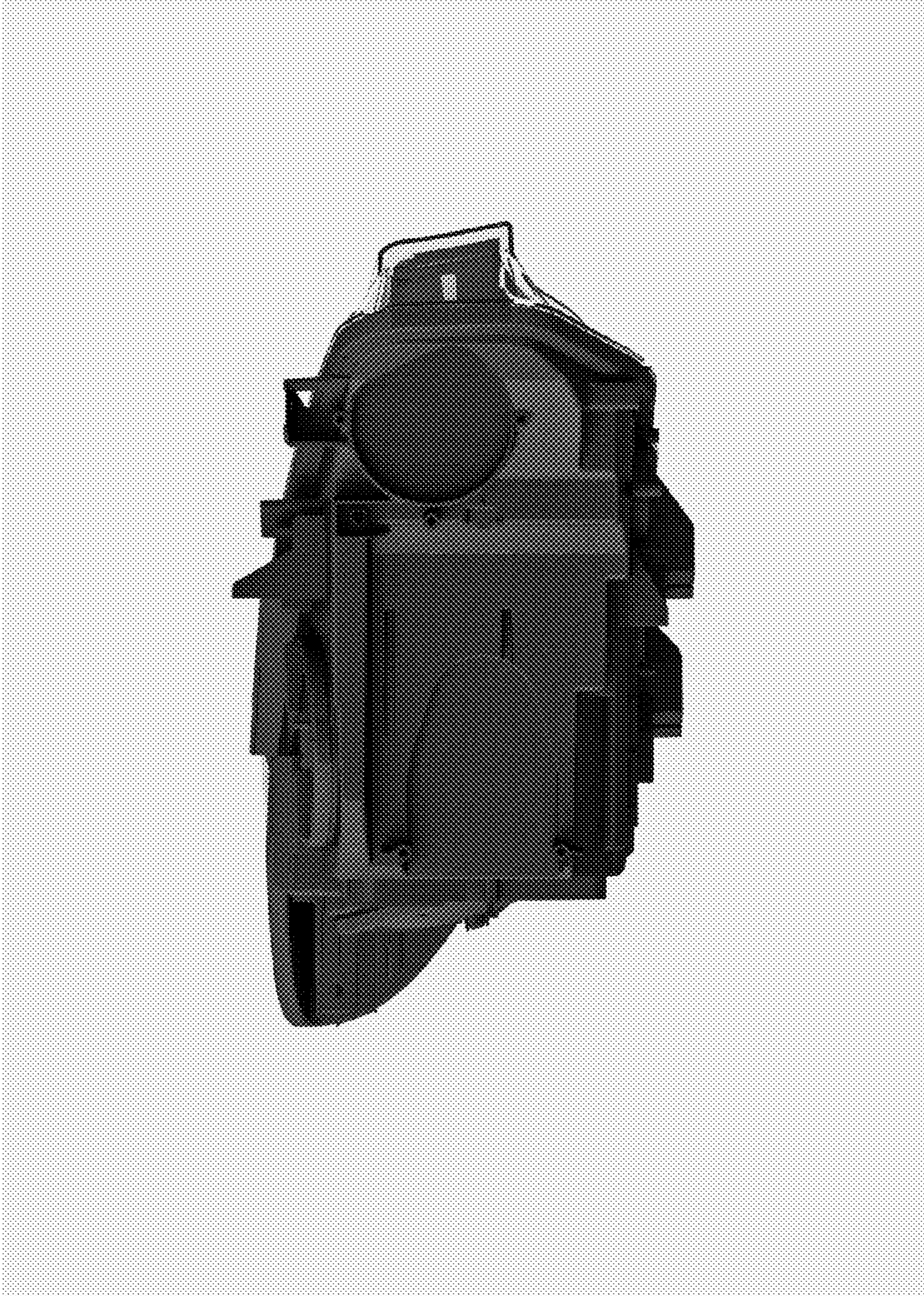


Fig. 5



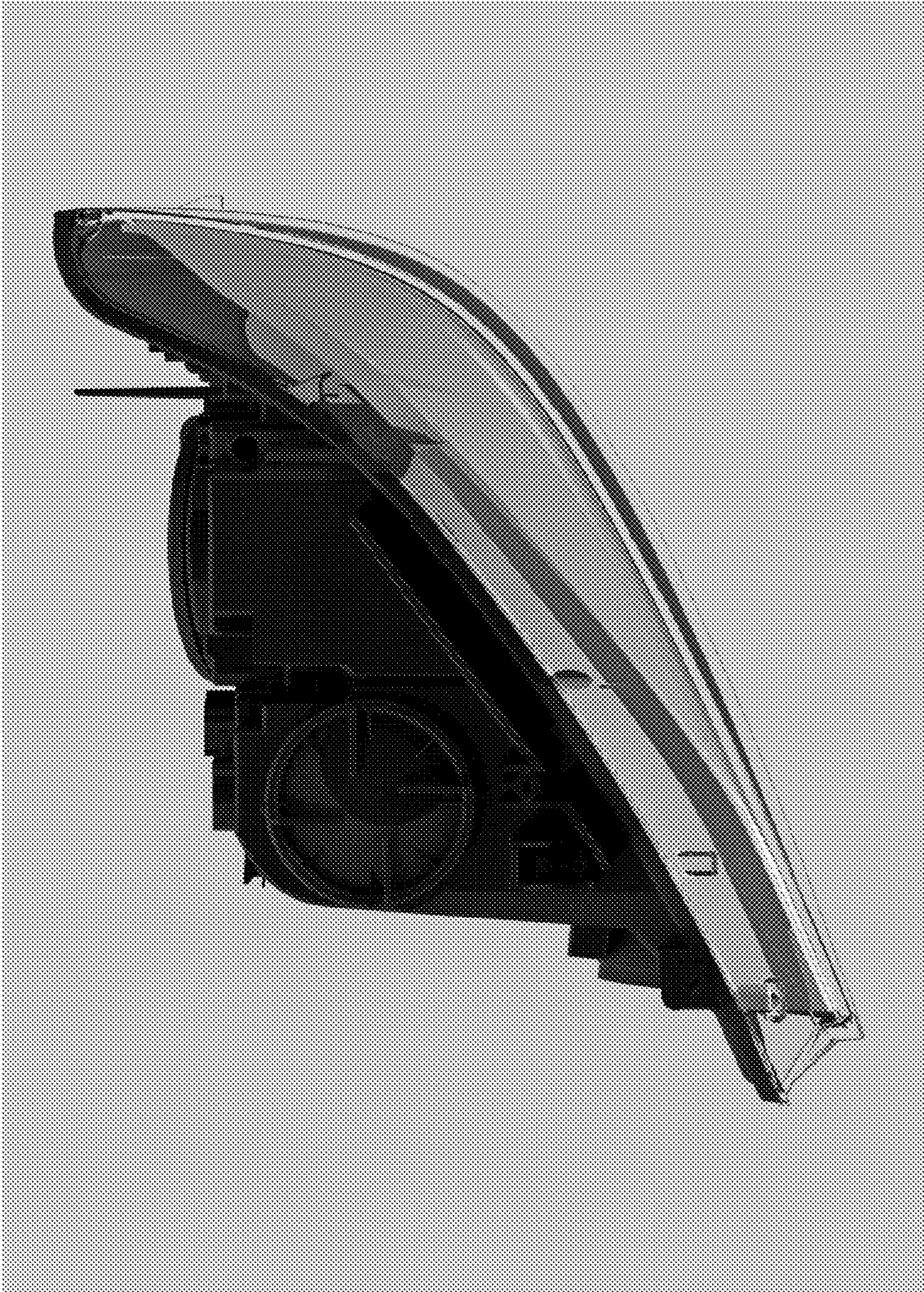


Fig. 6



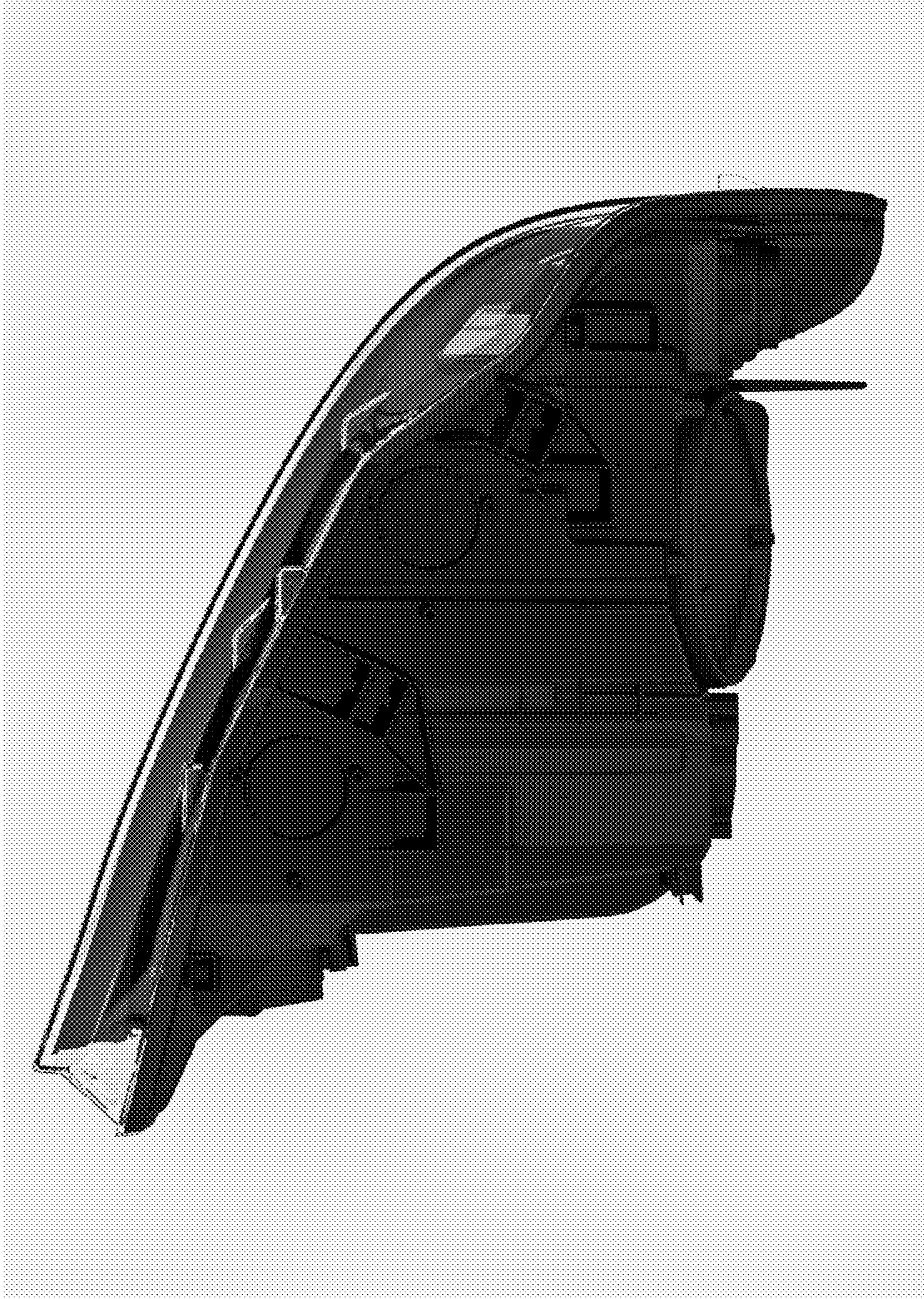


Fig. 7



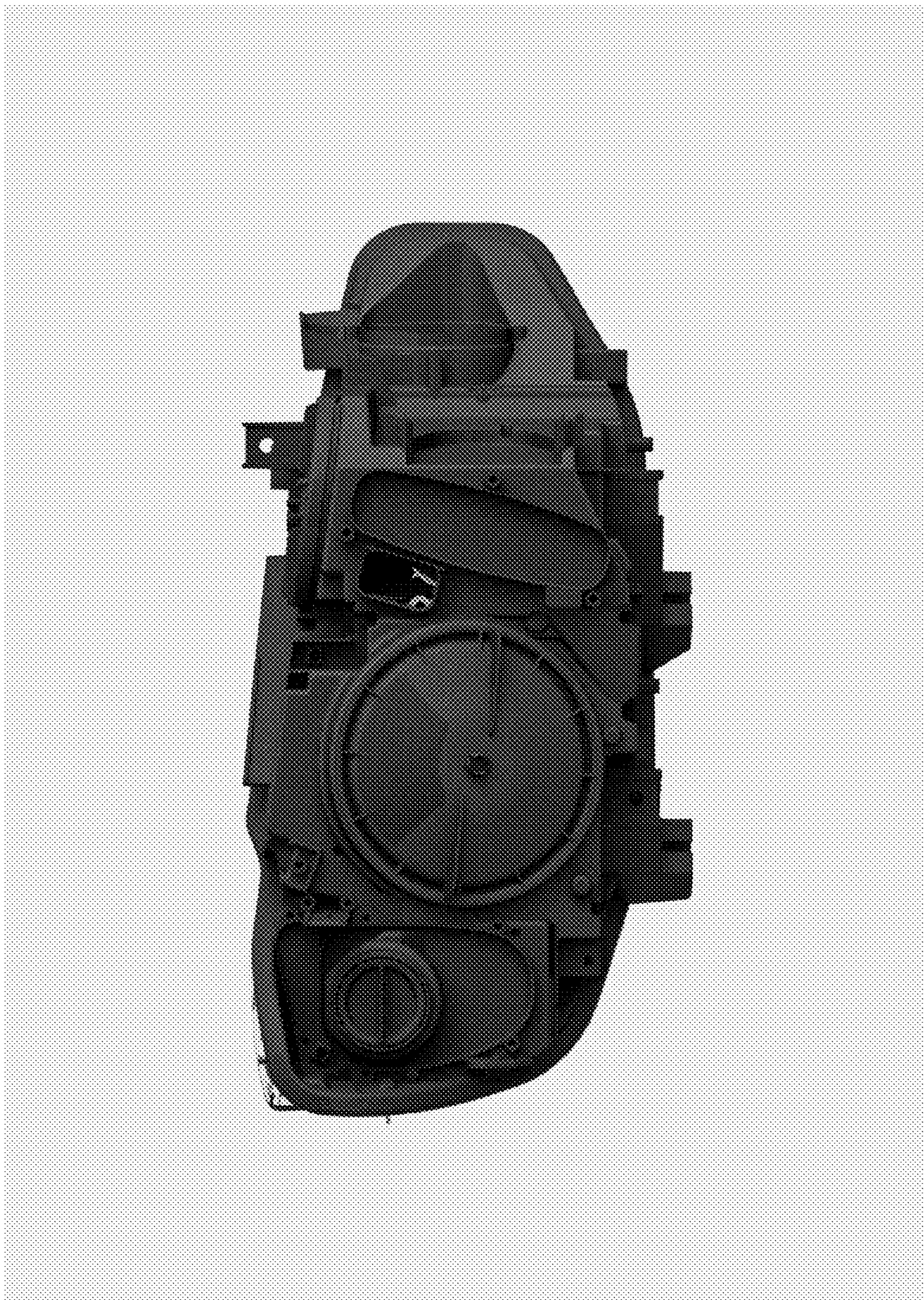


Fig. 8



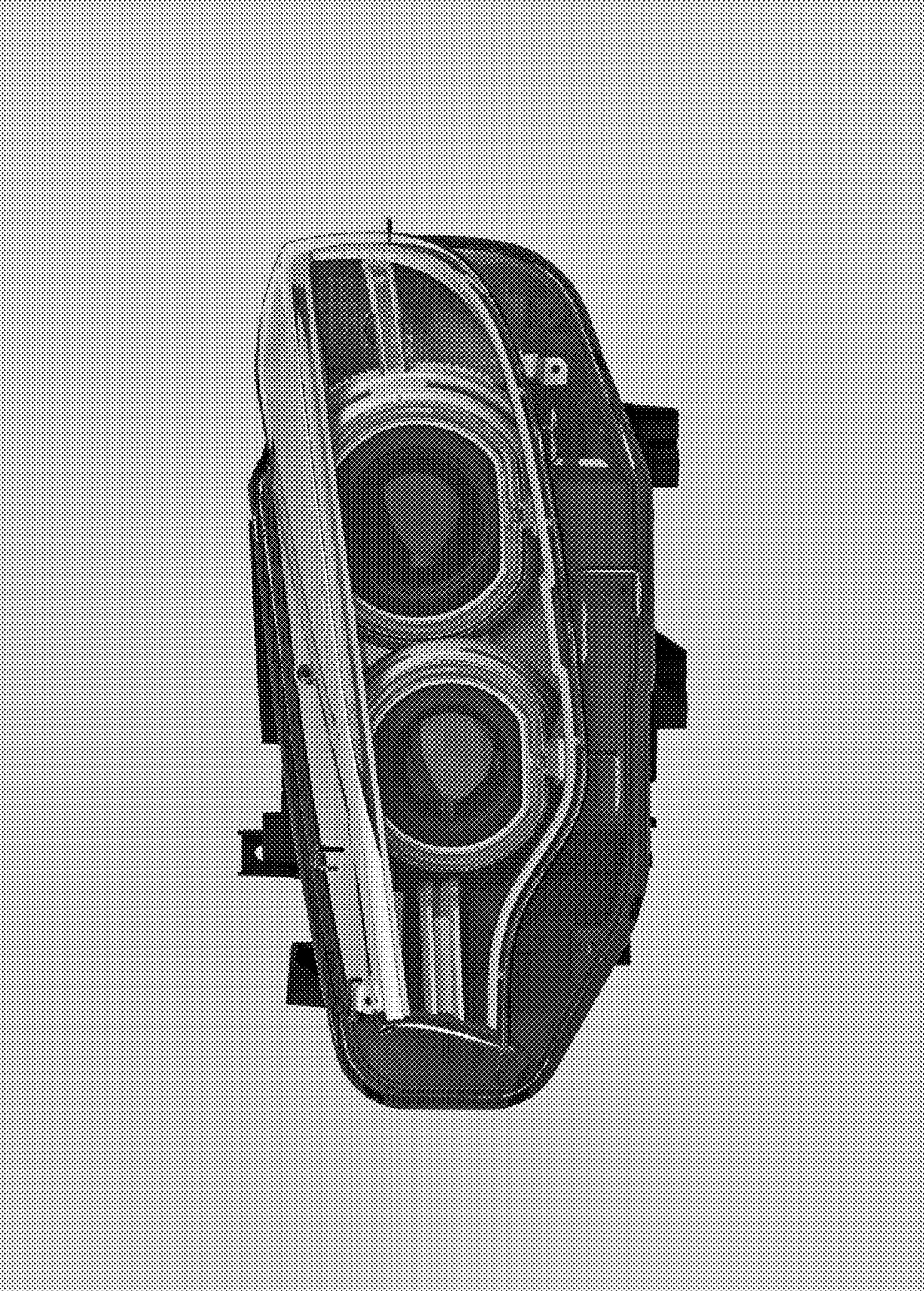


Fig. 9



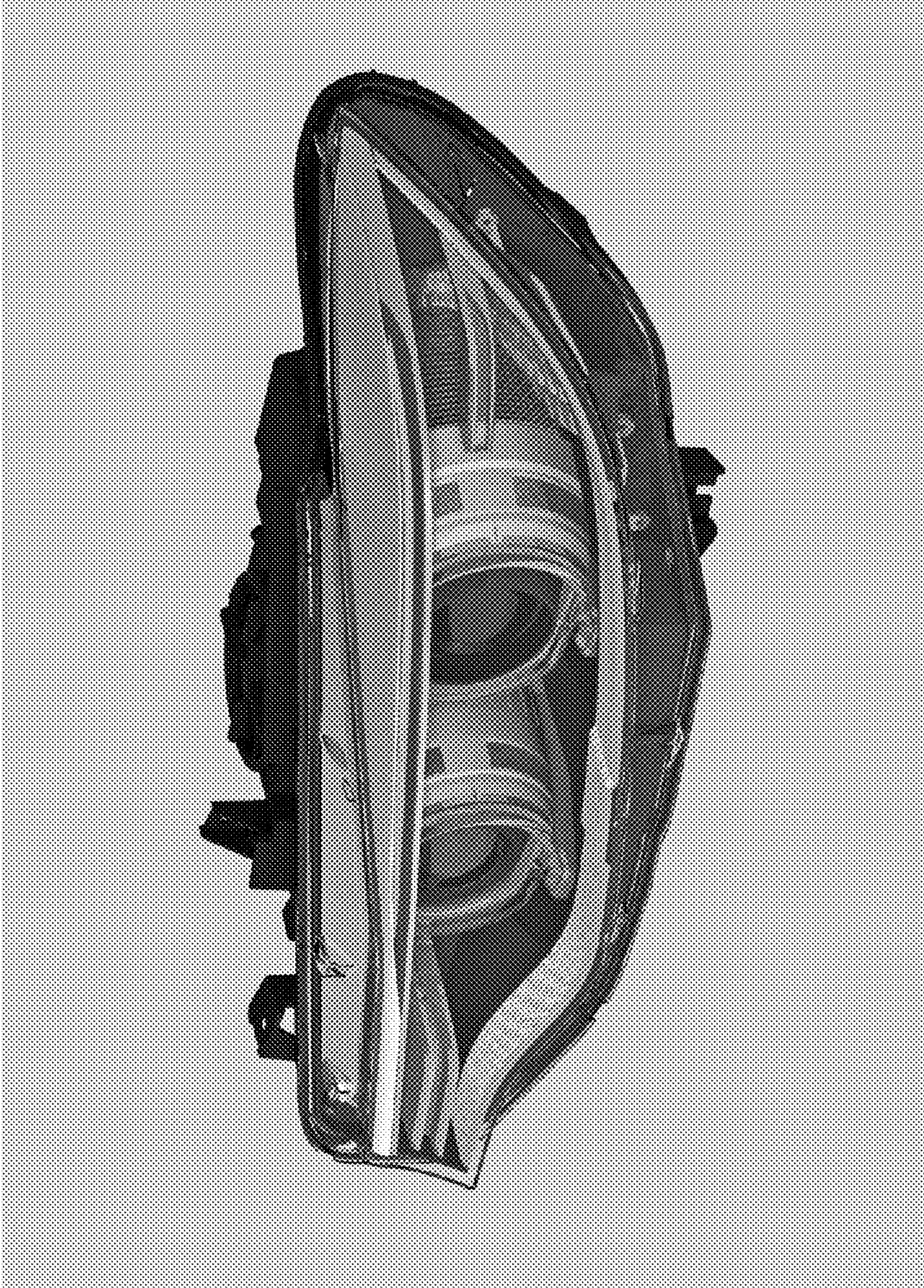


Fig. 10



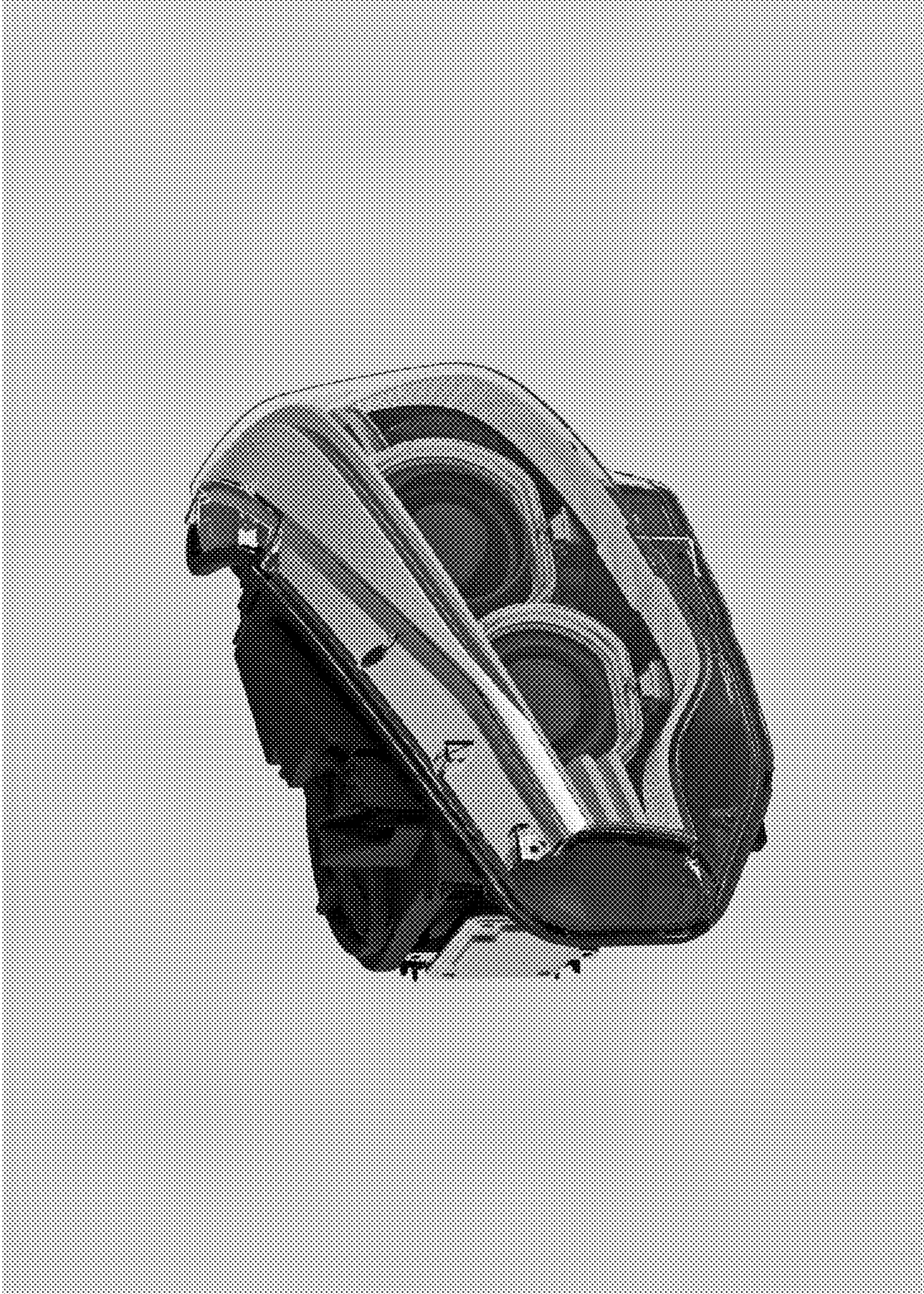


Fig. 11



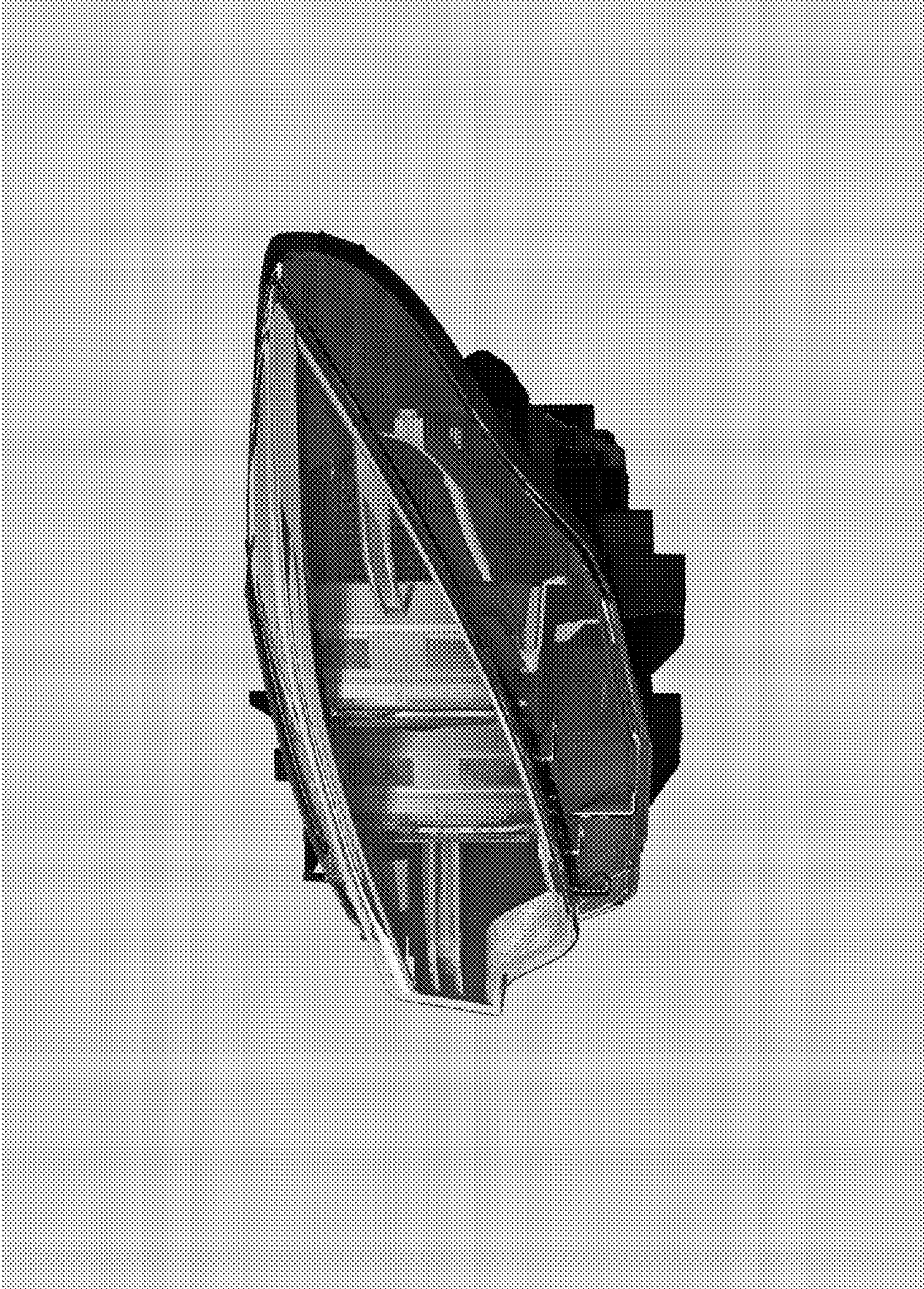


Fig. 12



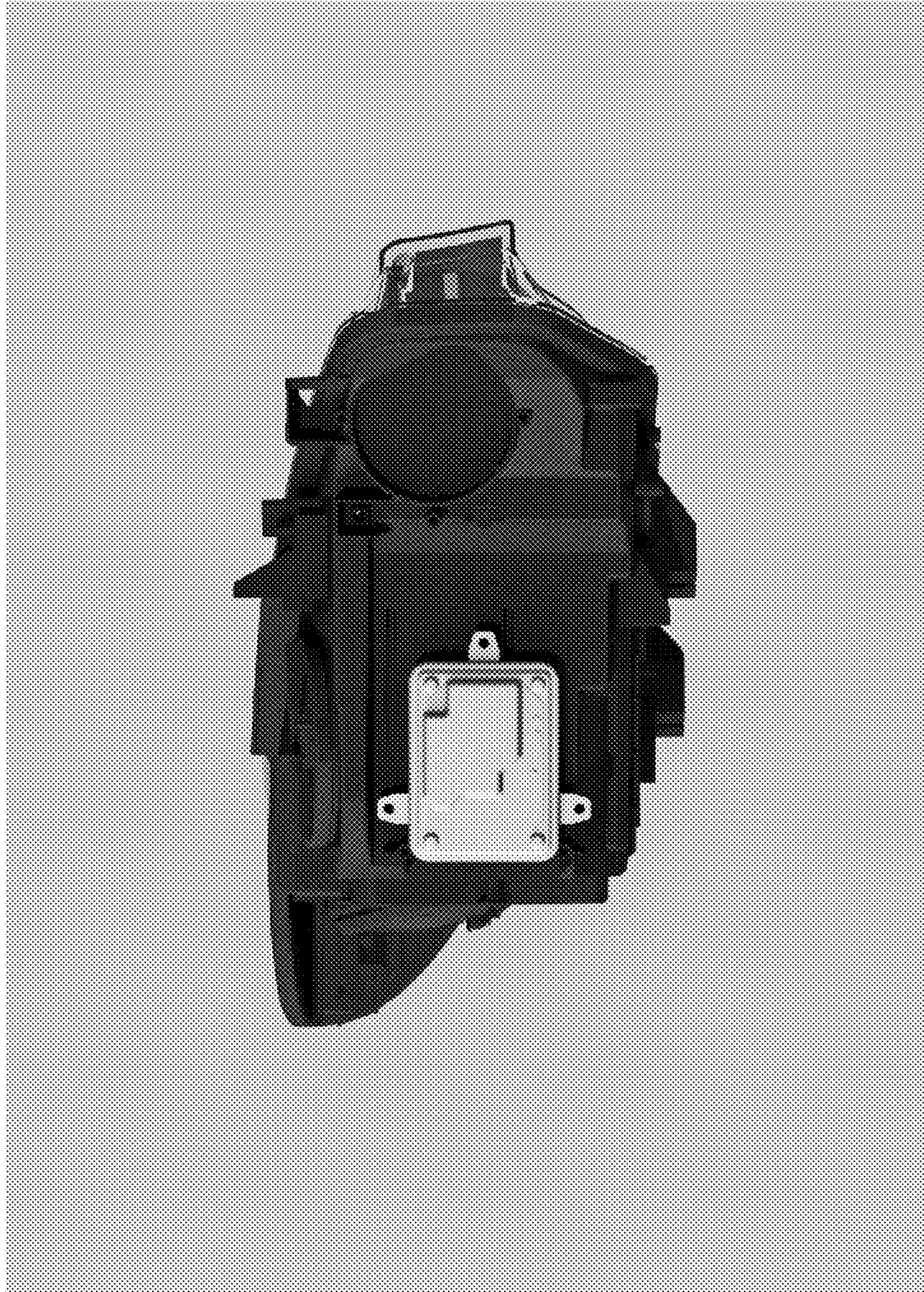


Fig. 13



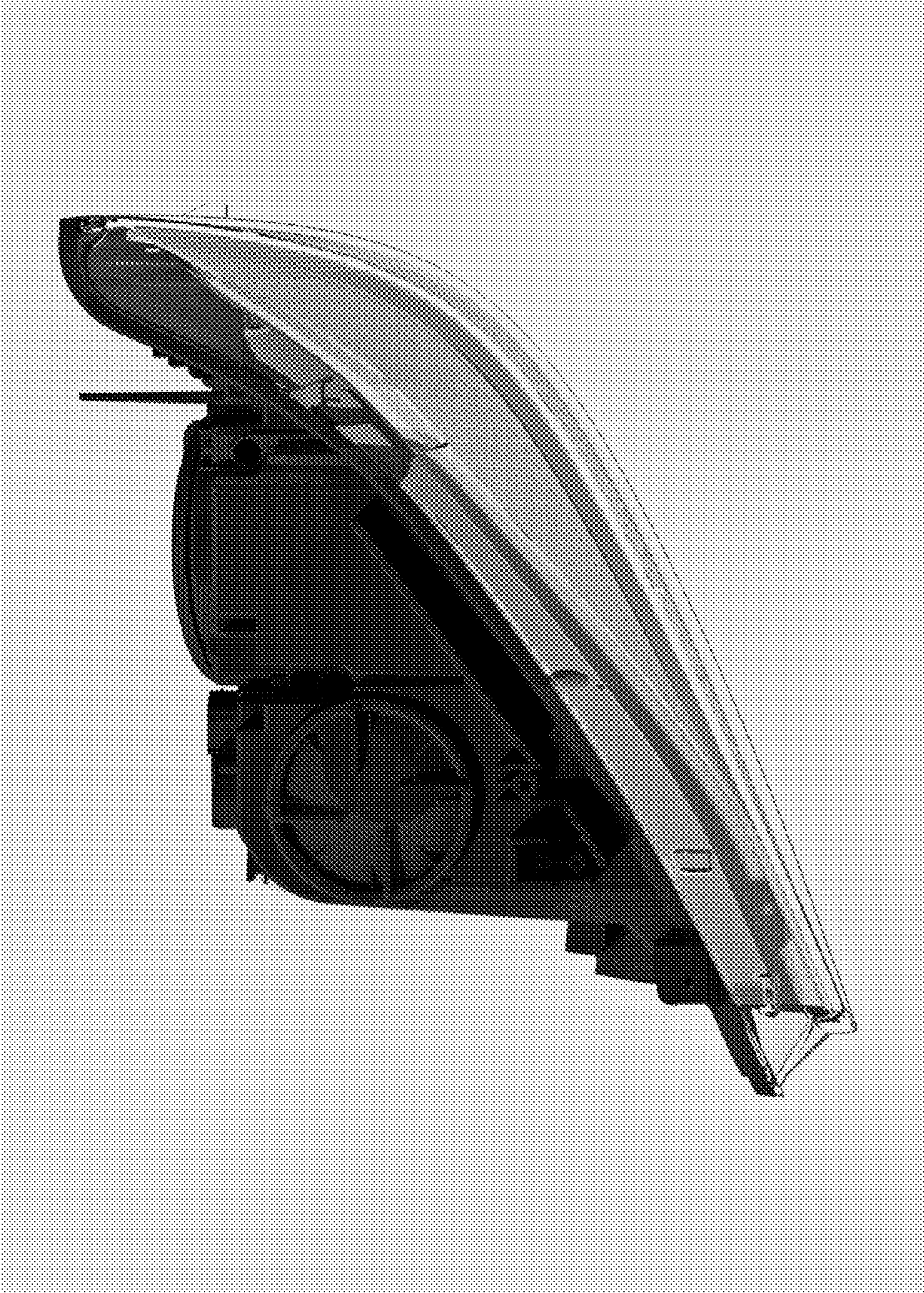


Fig. 14



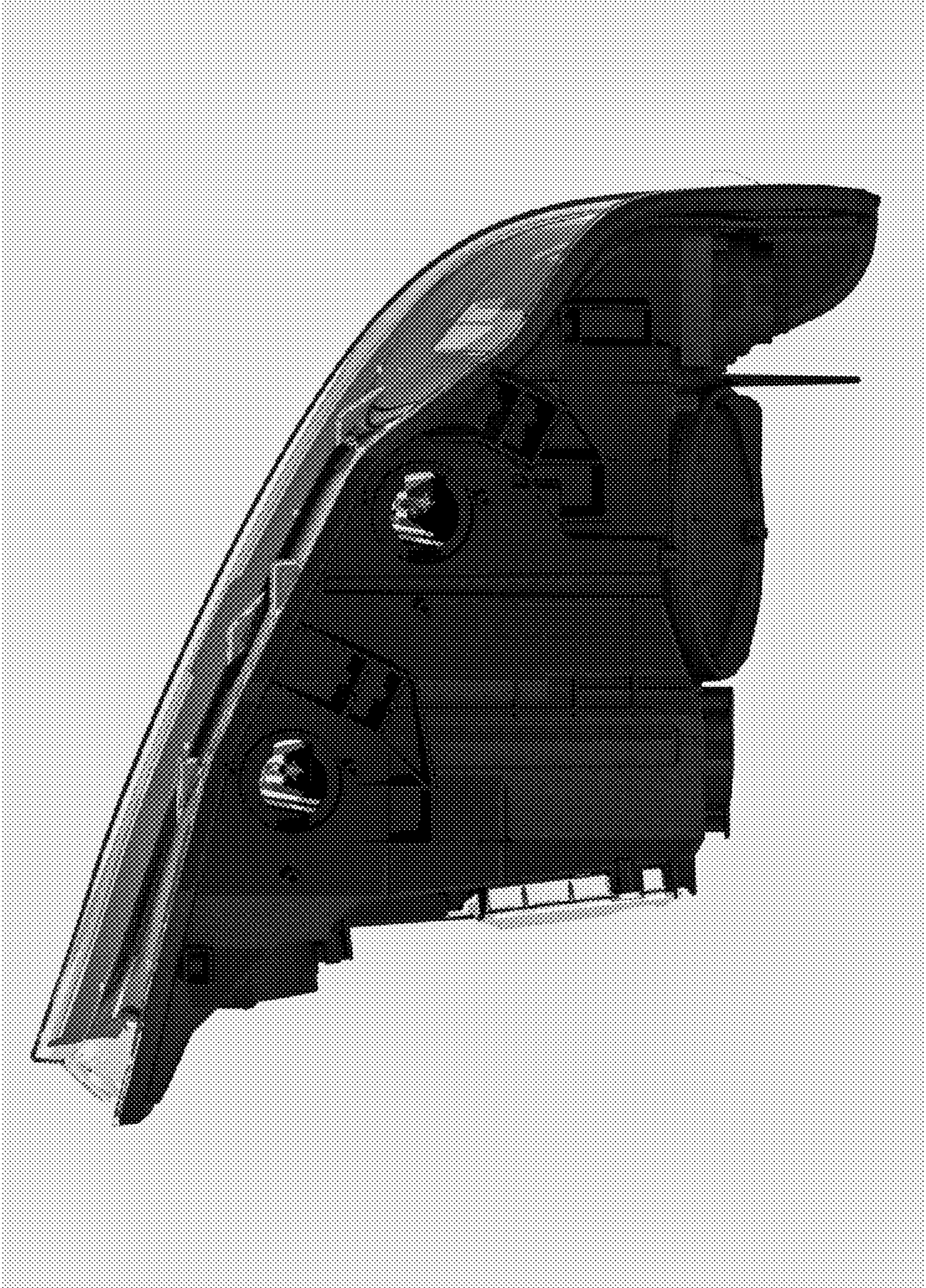


Fig. 15





Fig. 16