

US00D736968S

(12) **United States Design Patent**
Su et al.

(10) **Patent No.:** **US D736,968 S**

(45) **Date of Patent:** **** Aug. 18, 2015**

(54) **LED LAMP**

(56) **References Cited**

(71) Applicants: **CAL-COMP ELECTRONICS & COMMUNICATIONS COMPANY LIMITED**, New Taipei (TW); **KINPO ELECTRONICS, INC.**, New Taipei (TW)

U.S. PATENT DOCUMENTS

D532,532 S *	11/2006	Maxik	D26/2
D544,110 S *	6/2007	Hooker et al.	D26/2
D566,300 S *	4/2008	Lo	D26/2
D581,555 S *	11/2008	To et al.	D26/2
D584,838 S *	1/2009	To et al.	D26/2
D667,969 S *	9/2012	Rioux et al.	D26/2
D698,053 S *	1/2014	Rupp et al.	D26/2

(72) Inventors: **Ching-Yu Su**, New Taipei (TW); **Shih-Chieh Su**, New Taipei (TW); **Ming-Chih Huang**, New Taipei (TW)

* cited by examiner

(73) Assignees: **CAL-COMP ELECTRONICS & COMMUNICATIONS COMPANY LIMITED**, New Taipei (TW); **KINPO ELECTRONICS, INC.**, New Taipei (TW)

Primary Examiner — Marcus Jackson

(74) *Attorney, Agent, or Firm* — Chun-Ming Shih; HDLS IPR Services

(**) Term: **14 Years**

(57) **CLAIM**

The ornamental design for a LED lamp, as shown and described.

(21) Appl. No.: **29/500,515**

DESCRIPTION

(22) Filed: **Aug. 26, 2014**

FIG. 1 is a perspective view of a LED lamp showing my new design;

(51) **LOC (10) Cl.** **26-04**

FIG. 2 is a front view thereof;

(52) **U.S. Cl.**
USPC **D26/2**

FIG. 3 is a rear view thereof;

(58) **Field of Classification Search**
USPC D26/1-4; 313/313, 315, 316, 317, 318,
313/493; 315/52, 53, 56, 57, 58

FIG. 4 is a left side view thereof;

FIG. 5 is a right side view thereof;

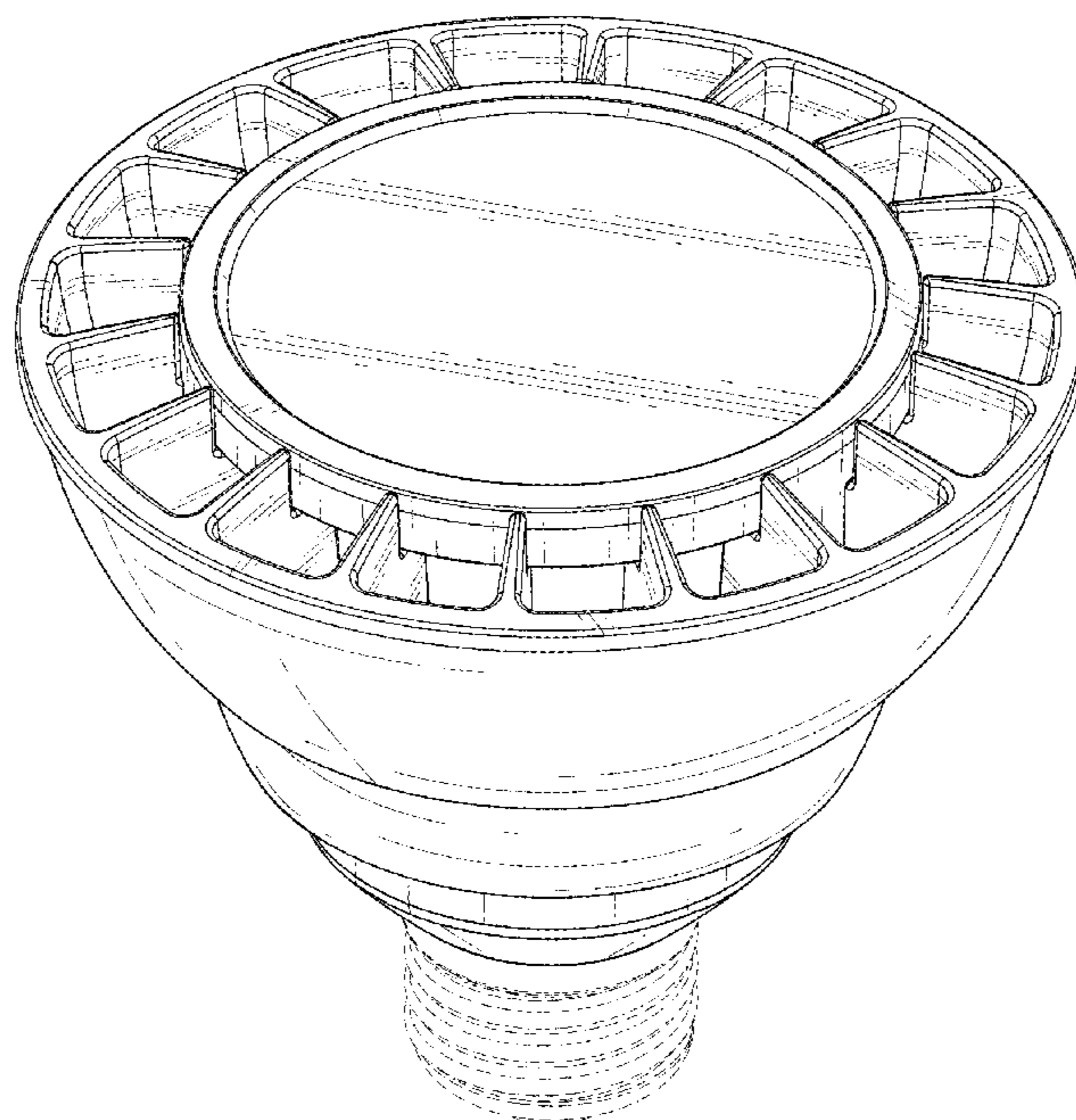
FIG. 6 is a top view thereof; and,

FIG. 7 is a bottom view thereof.

The broken lines shown represent unclaimed subject matter and form no part of the claimed design.

See application file for complete search history.

1 Claim, 7 Drawing Sheets



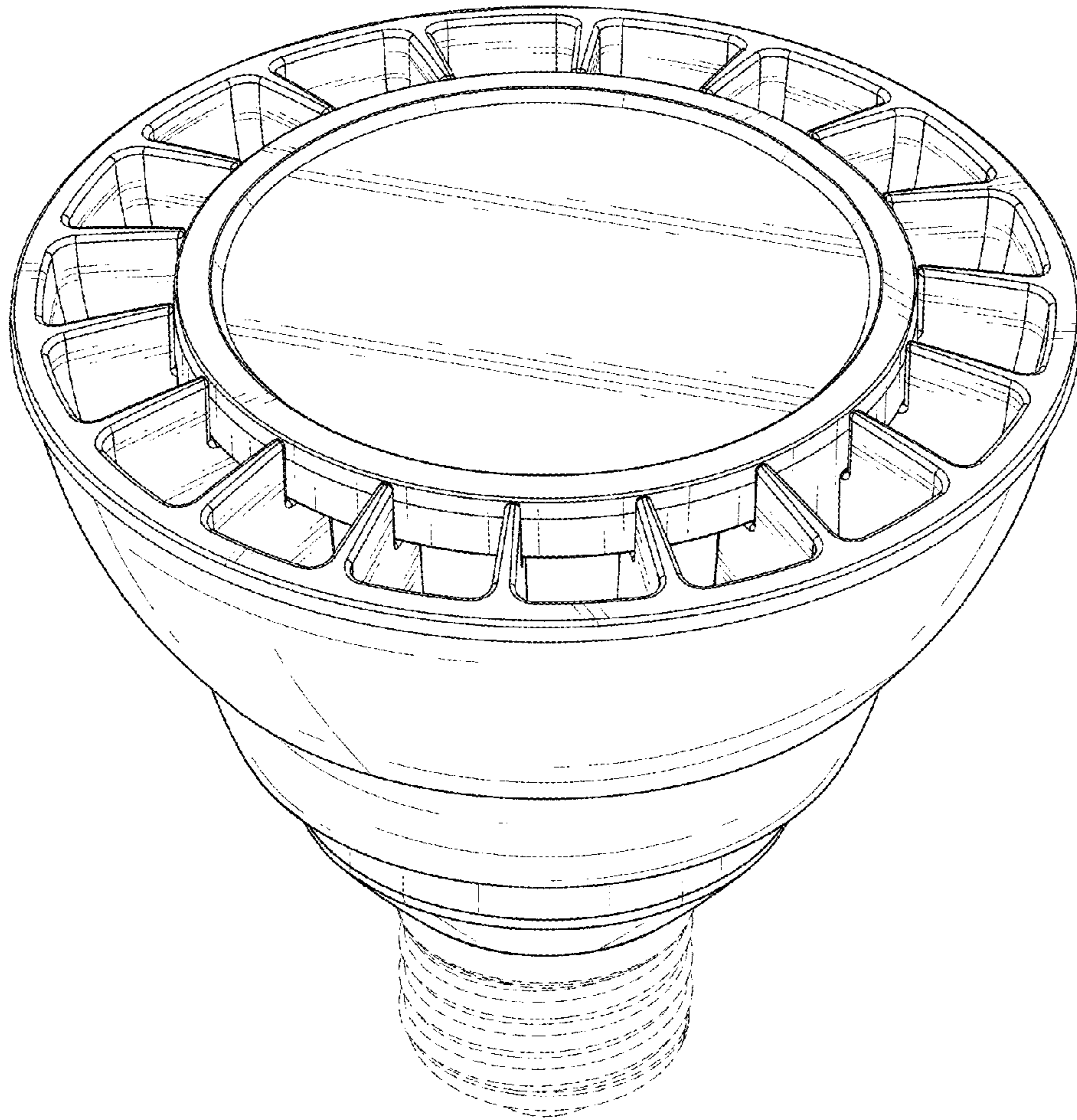


FIG.1

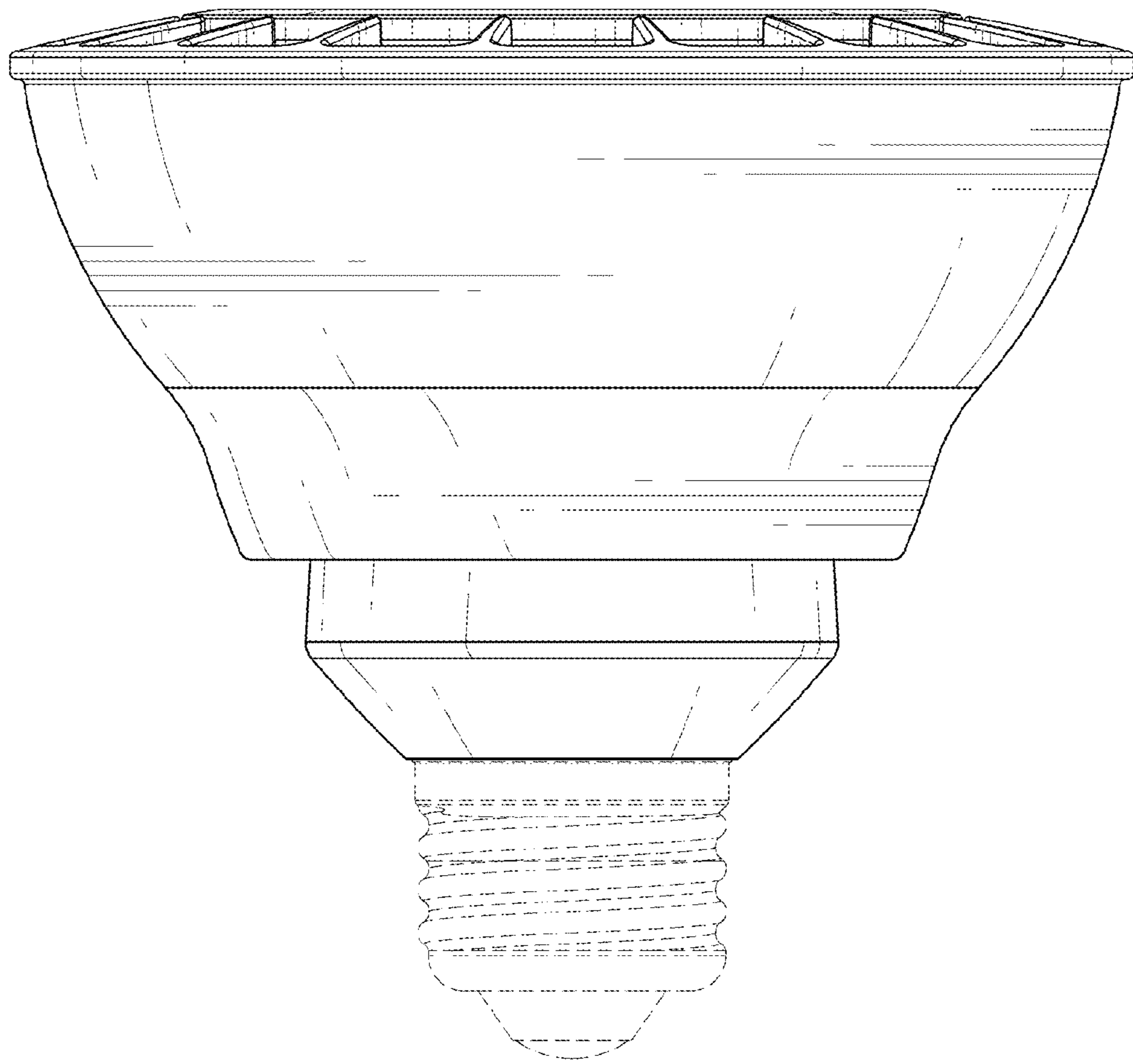


FIG.2

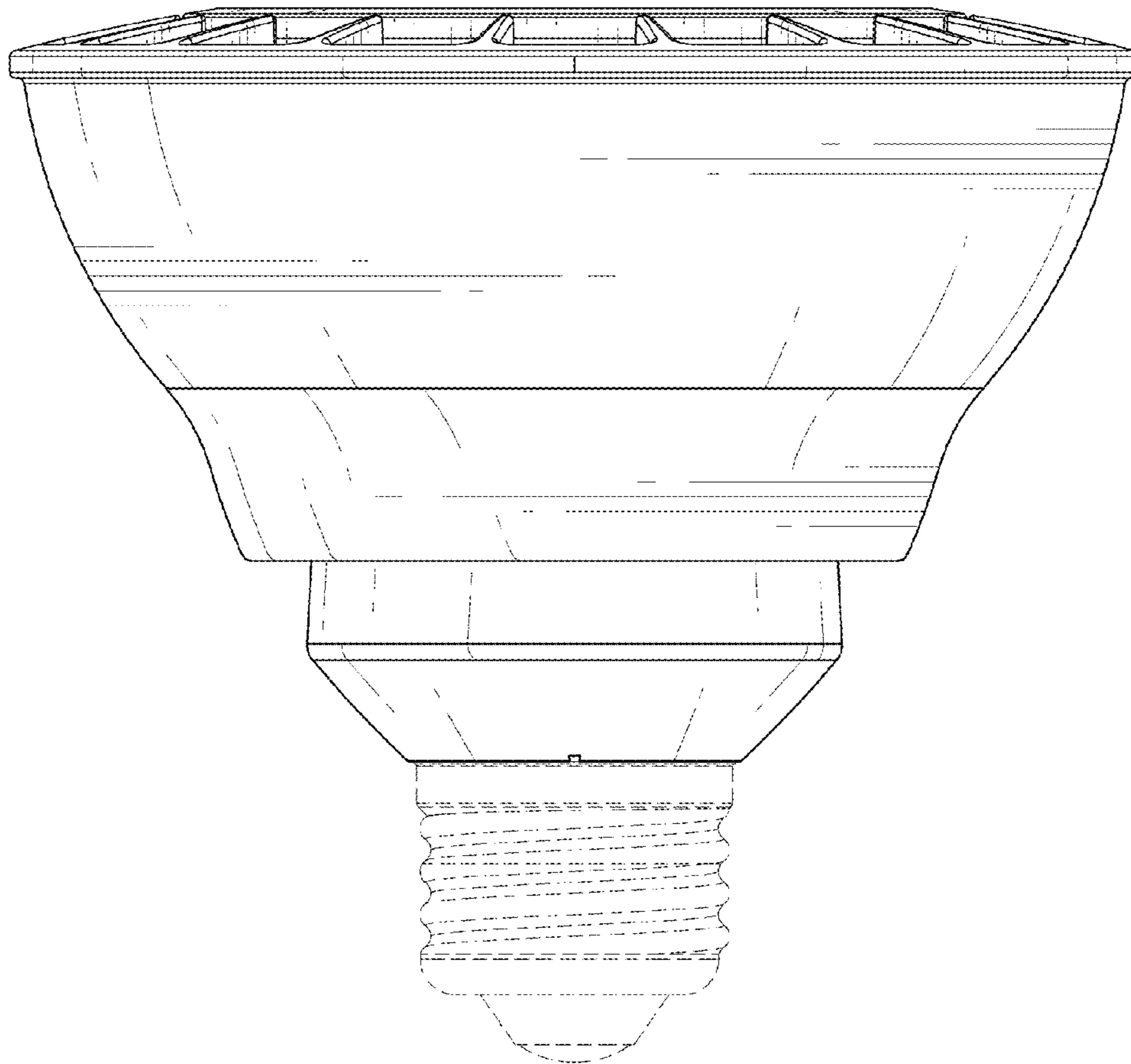


FIG.3

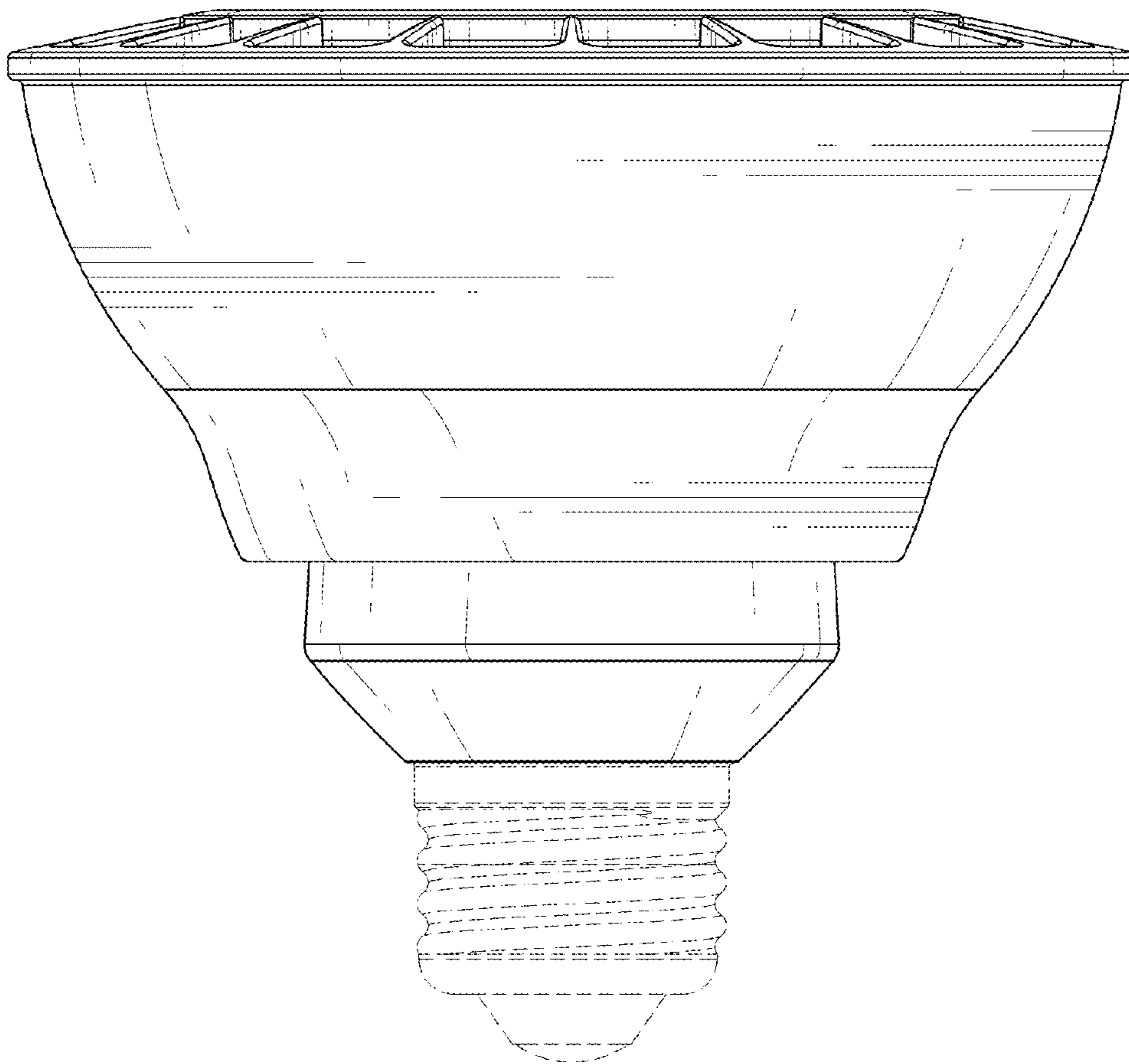


FIG.4

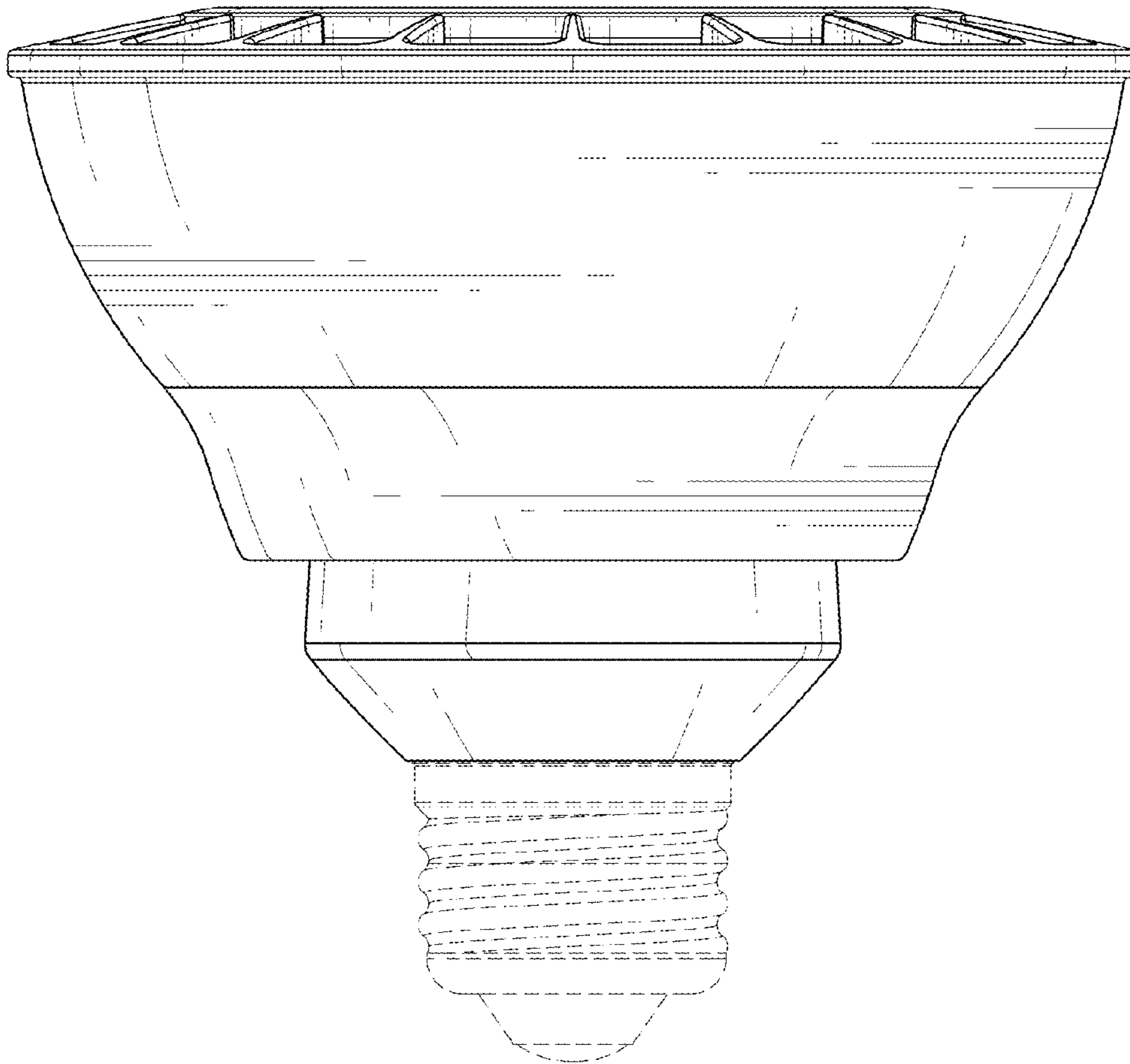


FIG.5

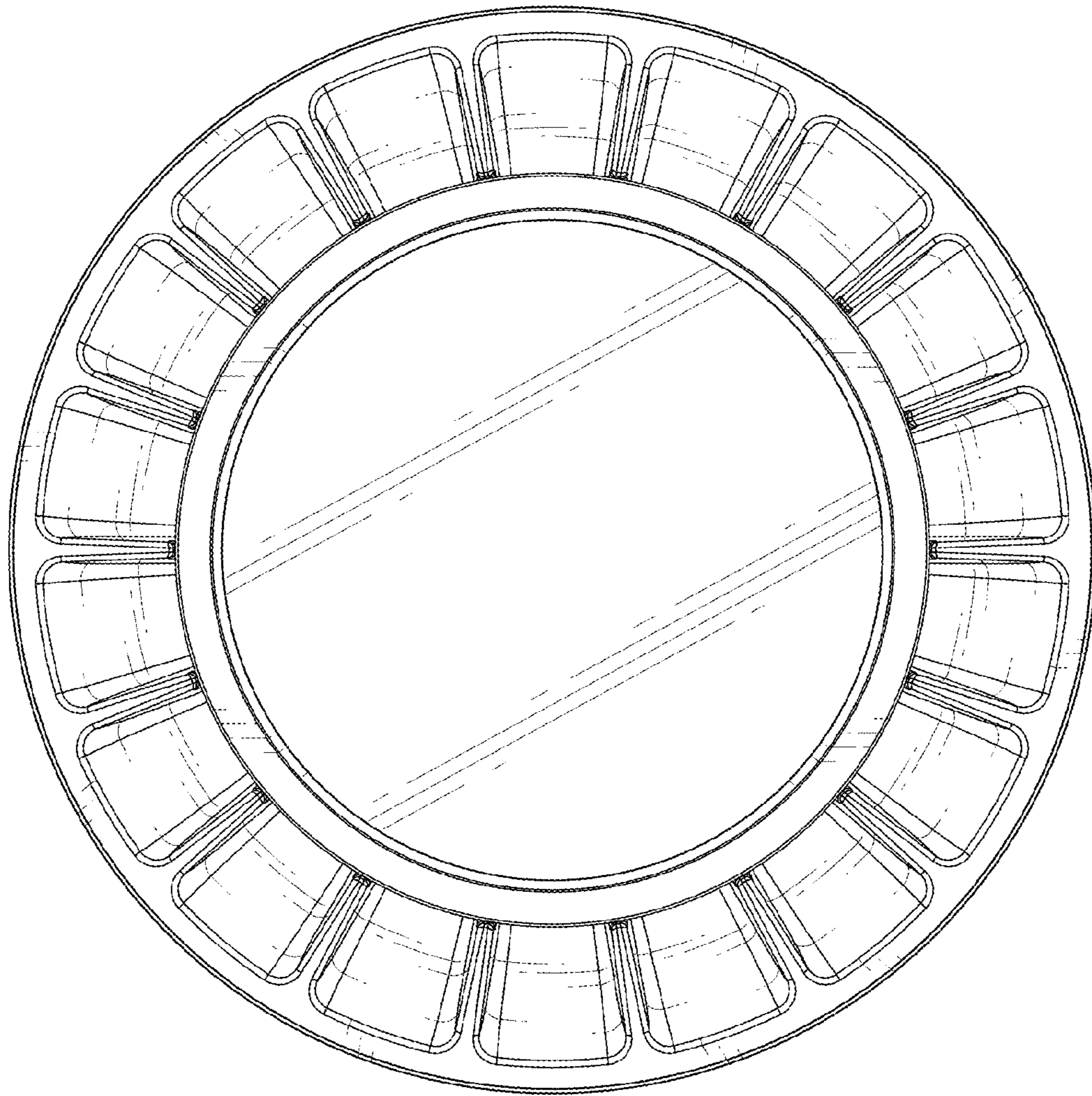


FIG.6

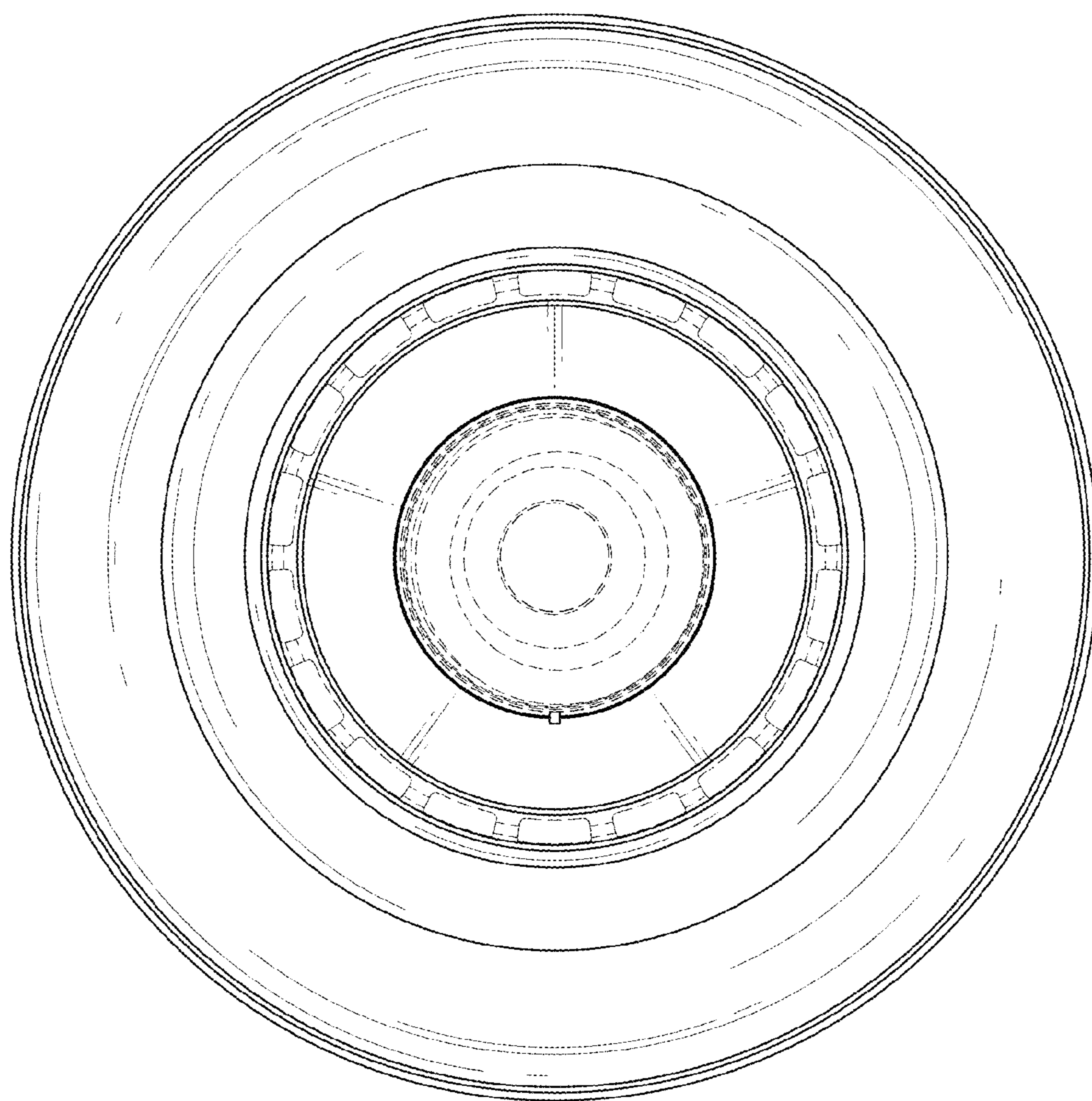


FIG.7