

US00D736967S

(12) **United States Design Patent**
Auernhammer et al.

(10) **Patent No.:** **US D736,967 S**
(45) **Date of Patent:** **** Aug. 18, 2015**

(54) **LED LAMP**

(71) Applicant: **OSRAM GmbH**, Munich (DE)
(72) Inventors: **Marianne Auernhammer**, Monheim (DE); **Klaus Eckert**, Herbrechtingen (DE); **Carolin Muehlbauer**, Regenstauf (DE); **Michael Rosenauer**, Regensburg (DE); **Henrike Streppel**, Regensburg (DE)

(73) Assignee: **OSRAM GmbH**, Munich (DE)

(**) Term: **14 Years**

(21) Appl. No.: **29/486,724**

(22) Filed: **Apr. 2, 2014**

(30) **Foreign Application Priority Data**

Oct. 8, 2013 (EM) 002321828

(51) **LOC (10) Cl.** **26-04**

(52) **U.S. Cl.**
USPC **D26/2**

(58) **Field of Classification Search**
USPC D26/1-4; 313/313, 315, 316, 317, 318, 313/493; 315/52, 53, 56, 57, 58
See application file for complete search history.

(56) **References Cited**

U.S. PATENT DOCUMENTS

D508,575 S * 8/2005 Buschmann et al. D26/2
D680,246 S * 4/2013 Jang et al. D26/2

Primary Examiner — Marcus Jackson

(57) **CLAIM**

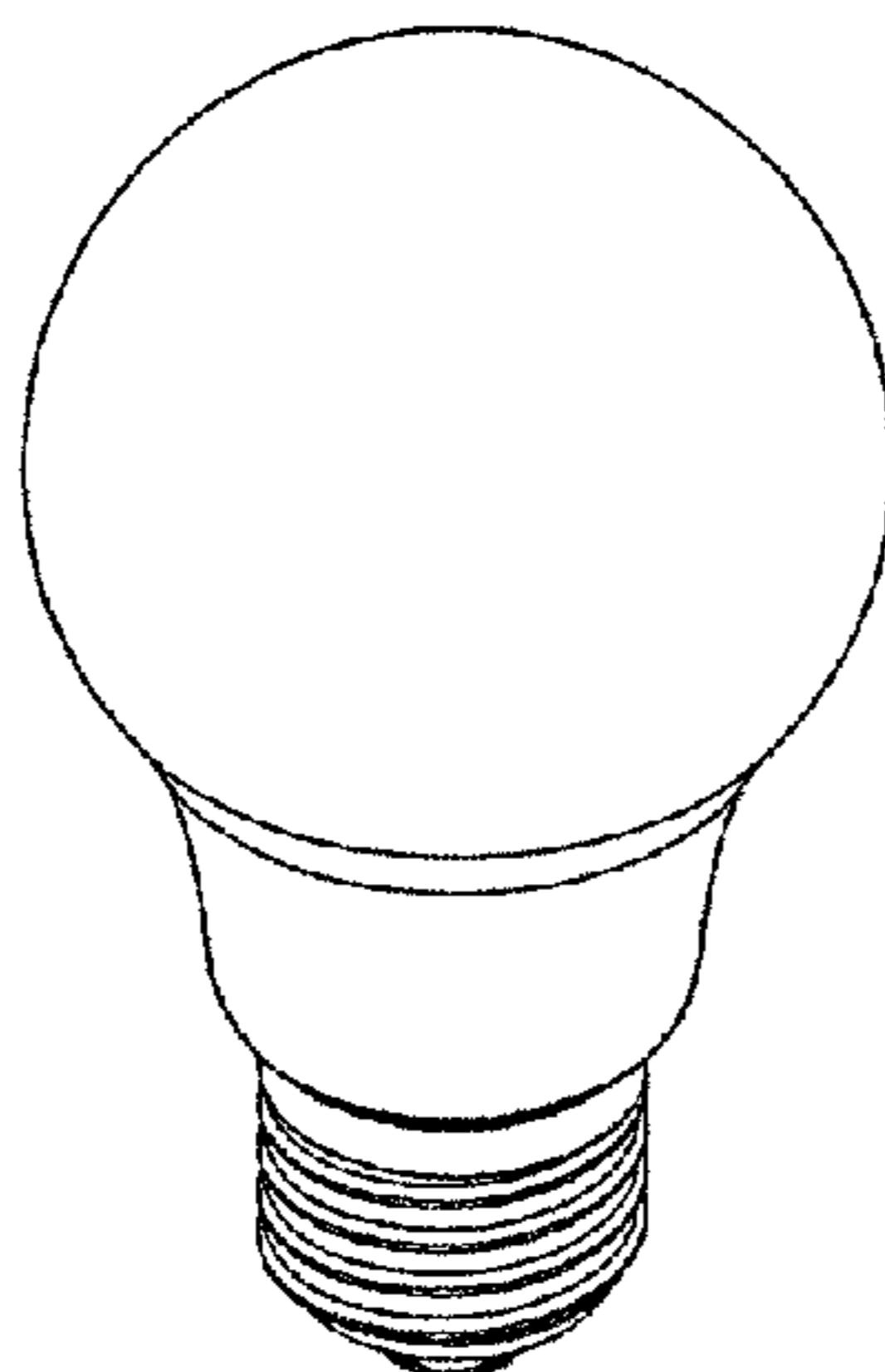
The ornamental design for LED-lamp, as shown and described.

DESCRIPTION

FIG. 1 is a perspective view of a LED lamp according to a first embodiment,
FIG. 2 is a front view of the LED lamp according to the first embodiment,
FIG. 3 is a back view of the LED lamp according to the first embodiment,
FIG. 4 is a right side view of the LED lamp according to the first embodiment,

FIG. 5 is a left side view of the LED lamp according to the first embodiment,
FIG. 6 is a top view of the LED lamp according to the first embodiment,
FIG. 7 is a bottom view of the LED lamp according to the first embodiment,
FIG. 8 is a perspective view of the LED lamp according to a second embodiment,
FIG. 9 is a front view of the LED lamp according to the second embodiment,
FIG. 10 is a back view of the LED lamp according to the second embodiment,
FIG. 11 is a right side view of the LED lamp according to the second embodiment,
FIG. 12 is a left side view of the LED lamp according to the second embodiment,
FIG. 13 is a top view of the LED lamp according to the second embodiment,
FIG. 14 is a bottom view of the LED lamp according to the second embodiment,
FIG. 15 is a perspective view of the LED lamp according to a third embodiment,
FIG. 16 is a front view of the LED lamp according to the third embodiment,
FIG. 17 is a back view of the LED lamp according to the third embodiment,
FIG. 18 is a right side view of the LED lamp according to the third embodiment,
FIG. 19 is a left side view of the LED lamp according to the third embodiment,
FIG. 20 is a top view of the LED lamp according to the third embodiment,
FIG. 21 is a bottom view of the LED lamp according to the third embodiment,
FIG. 22 is a perspective view of the LED lamp according to a fourth embodiment,
FIG. 23 is a front view of the LED lamp according to the fourth embodiment,
FIG. 24 is a back view of the LED lamp according to the fourth embodiment,
FIG. 25 is a right side view of the LED lamp according to the fourth embodiment,
FIG. 26 is a left side view of the LED lamp according to the fourth embodiment,
FIG. 27 is a top view of the LED lamp according to the fourth embodiment; and,
FIG. 28 is a bottom view of the LED lamp according to the fourth embodiment.

1 Claim, 4 Drawing Sheets



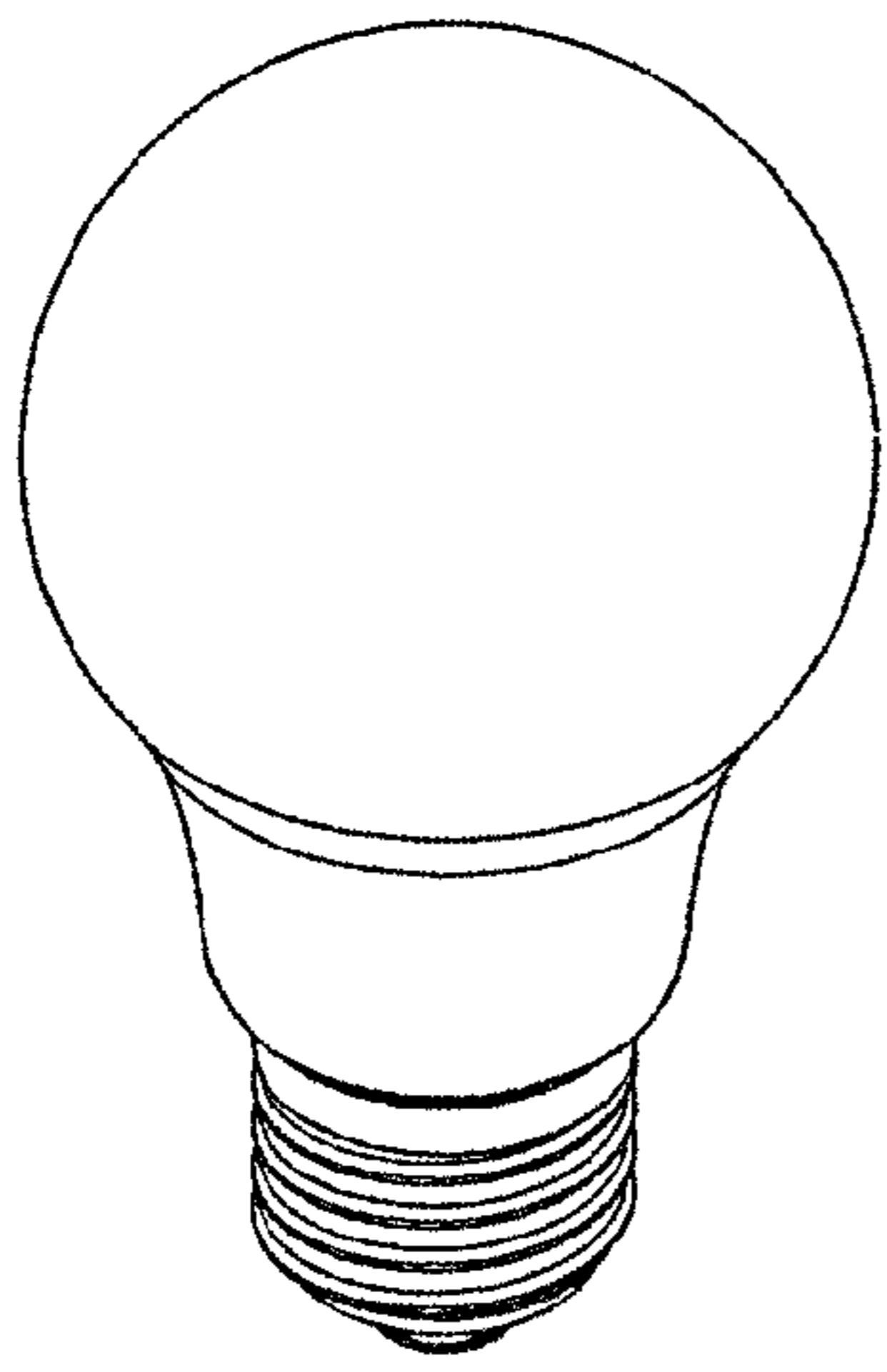


Fig. 1

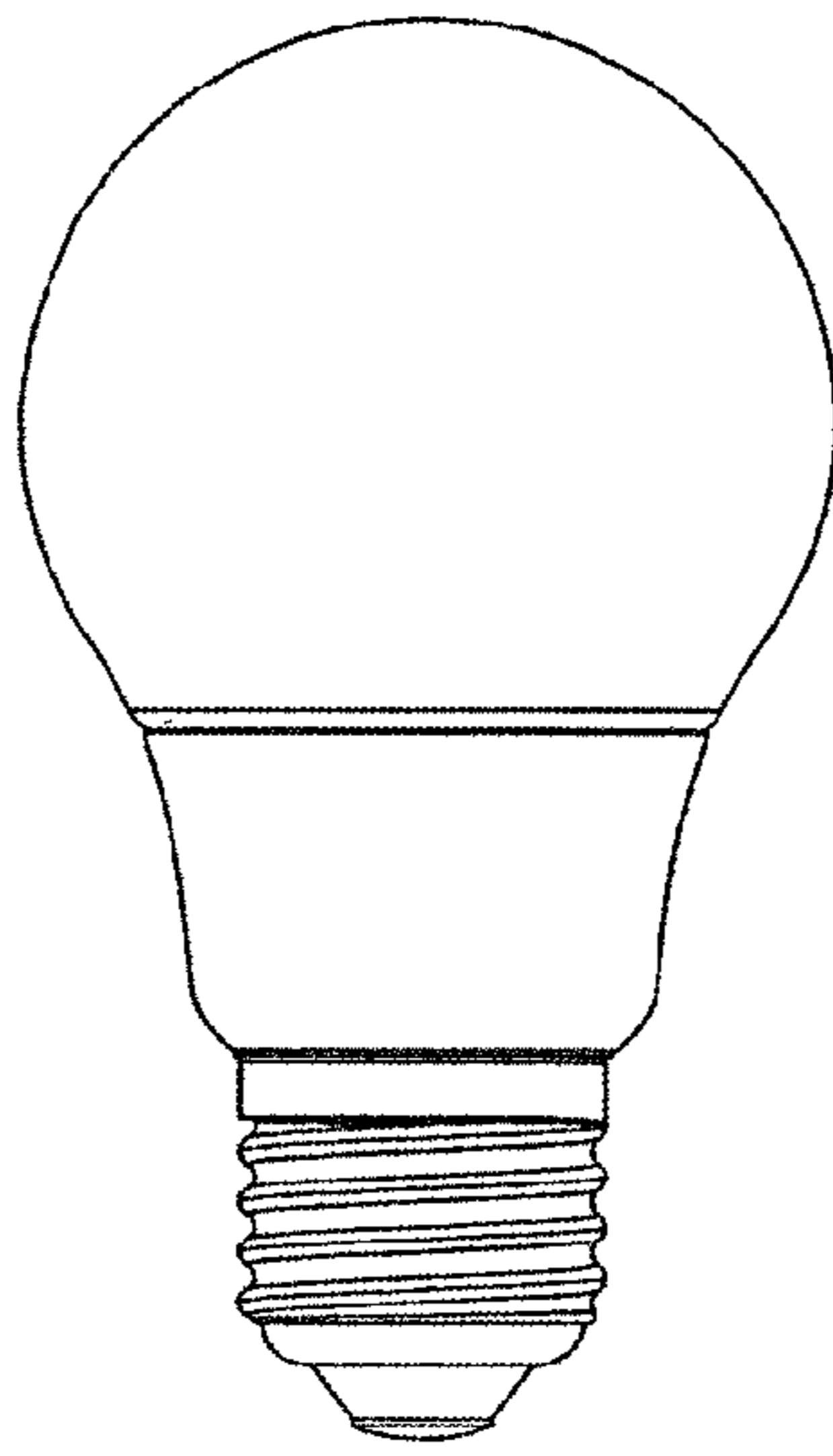


Fig. 2

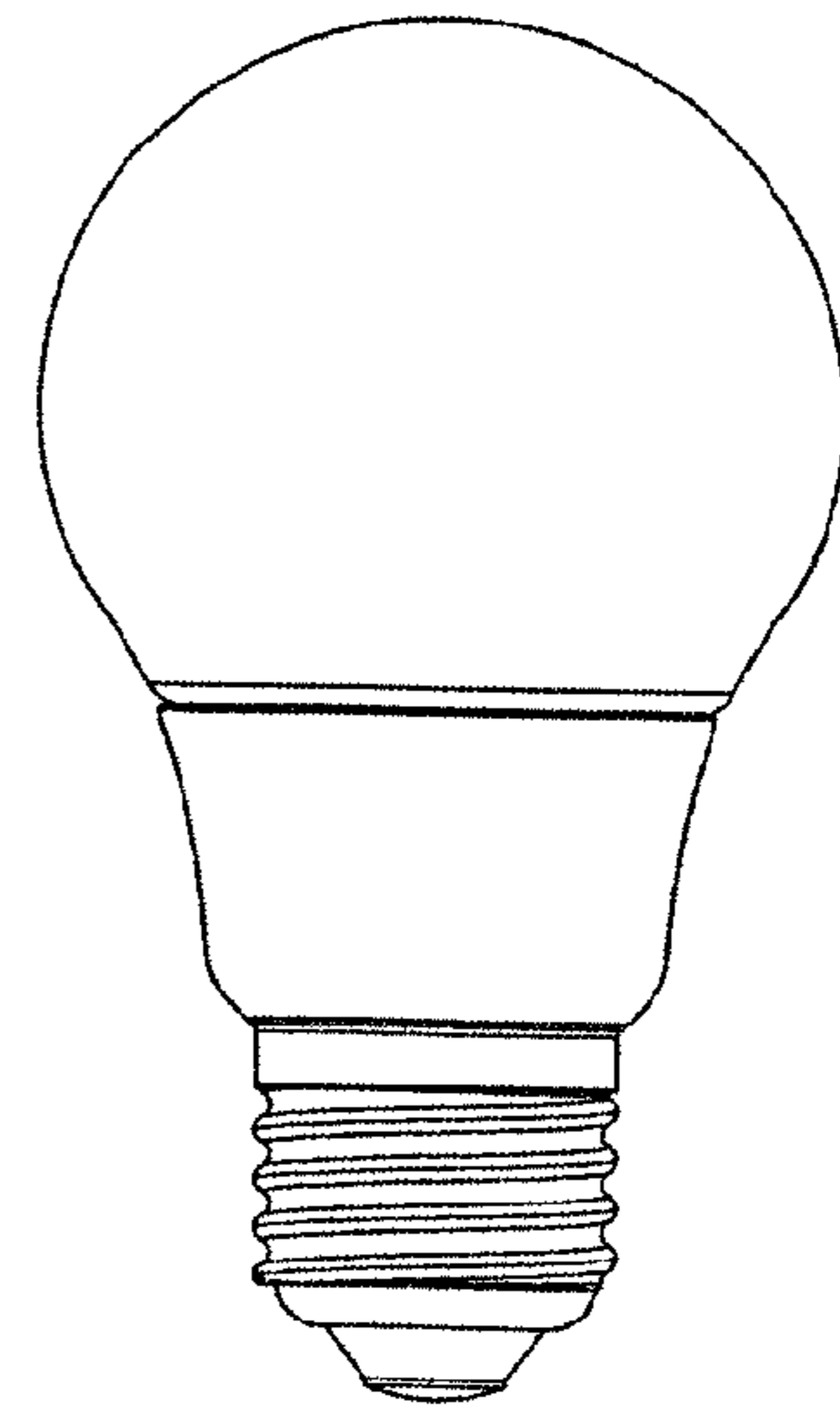


Fig. 3

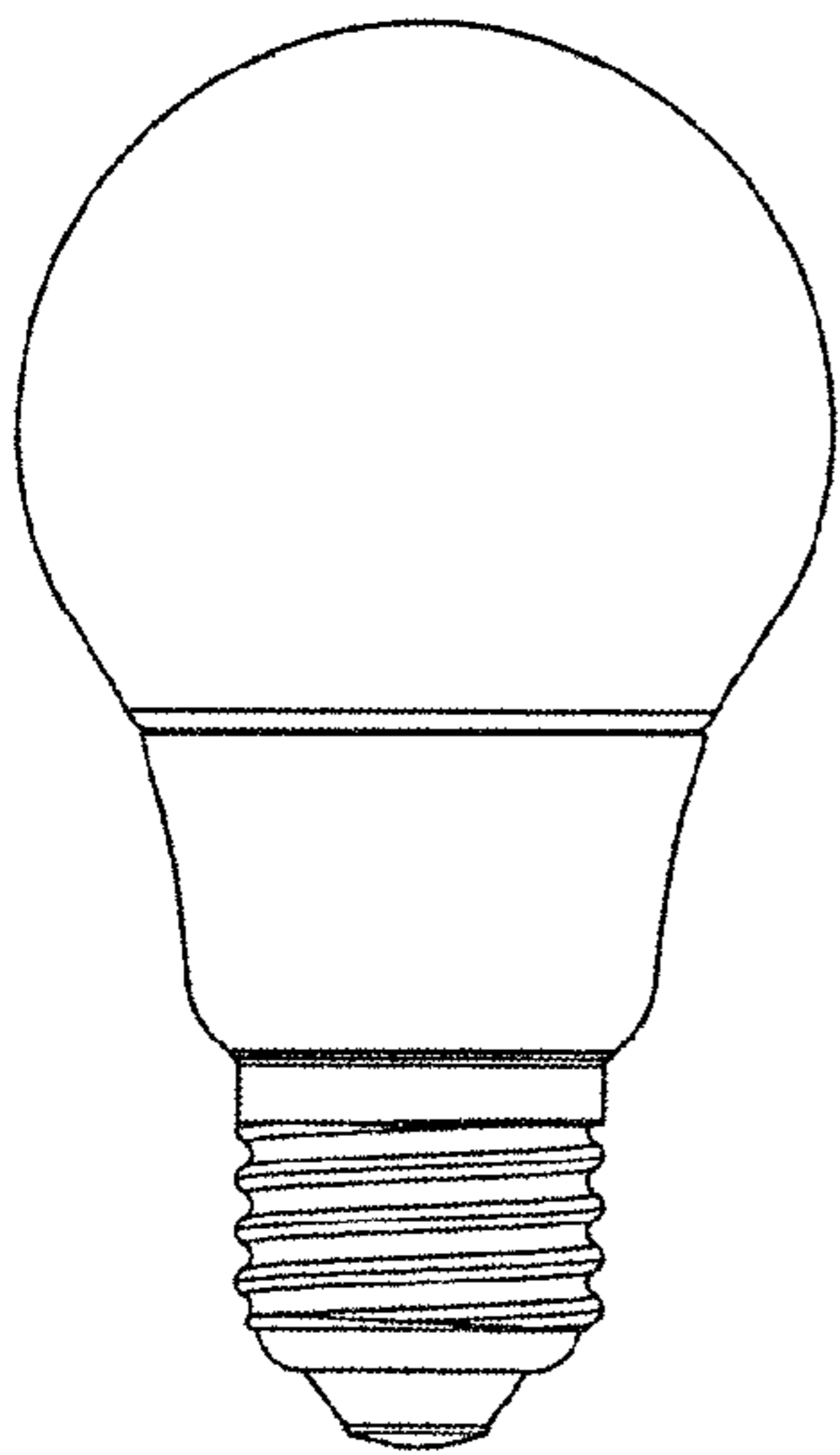


Fig. 4

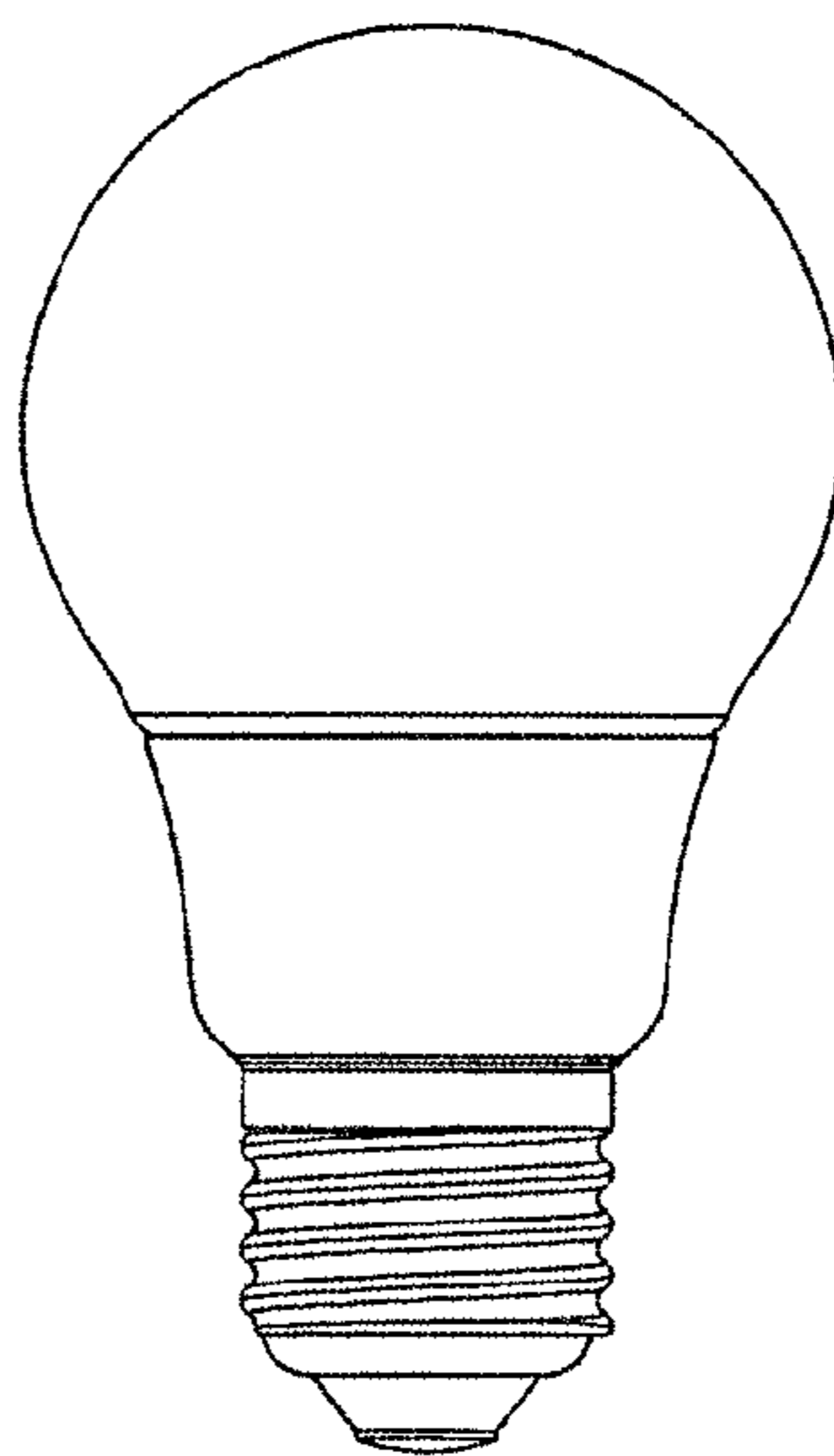


Fig. 5

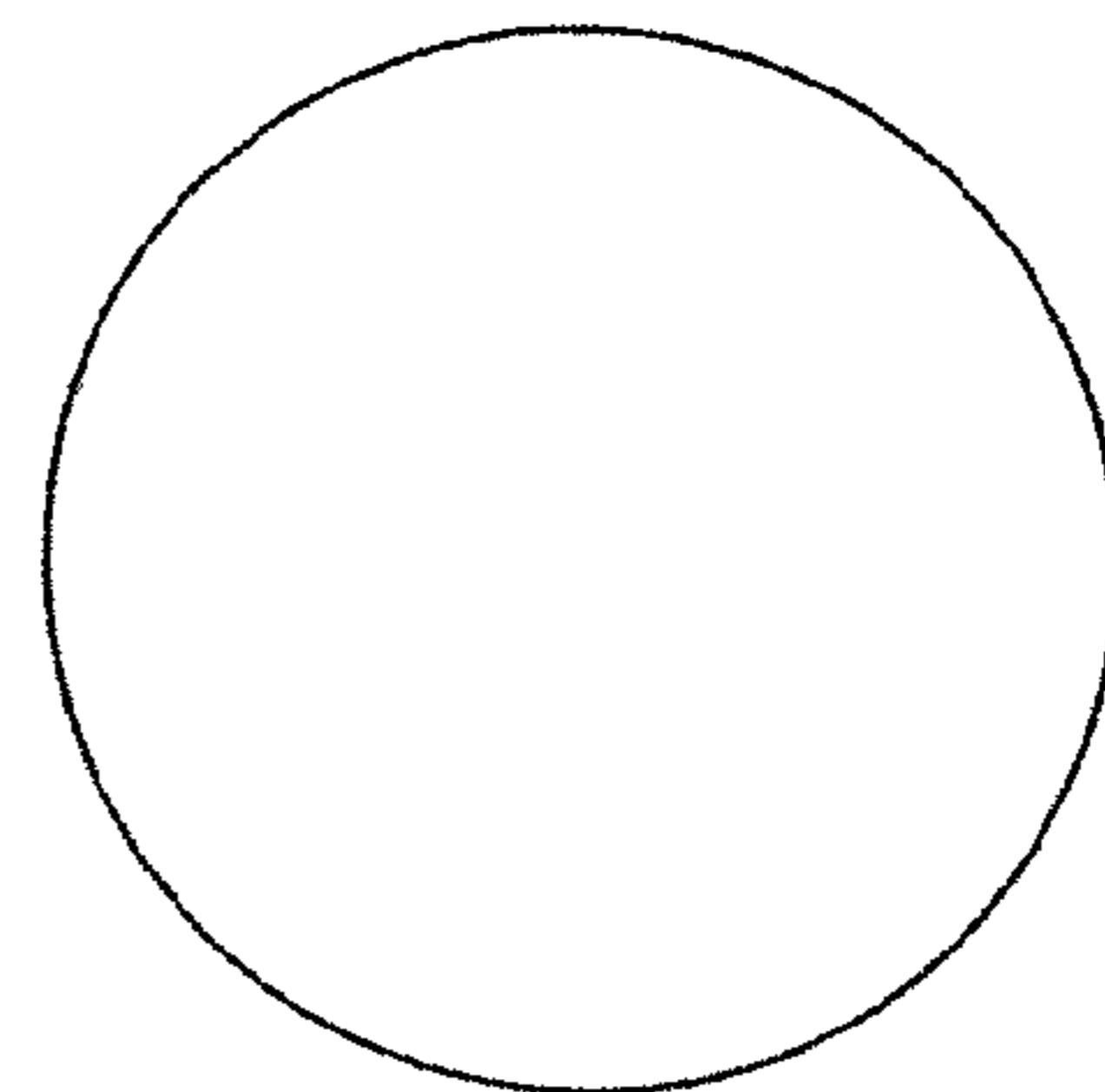


Fig. 6

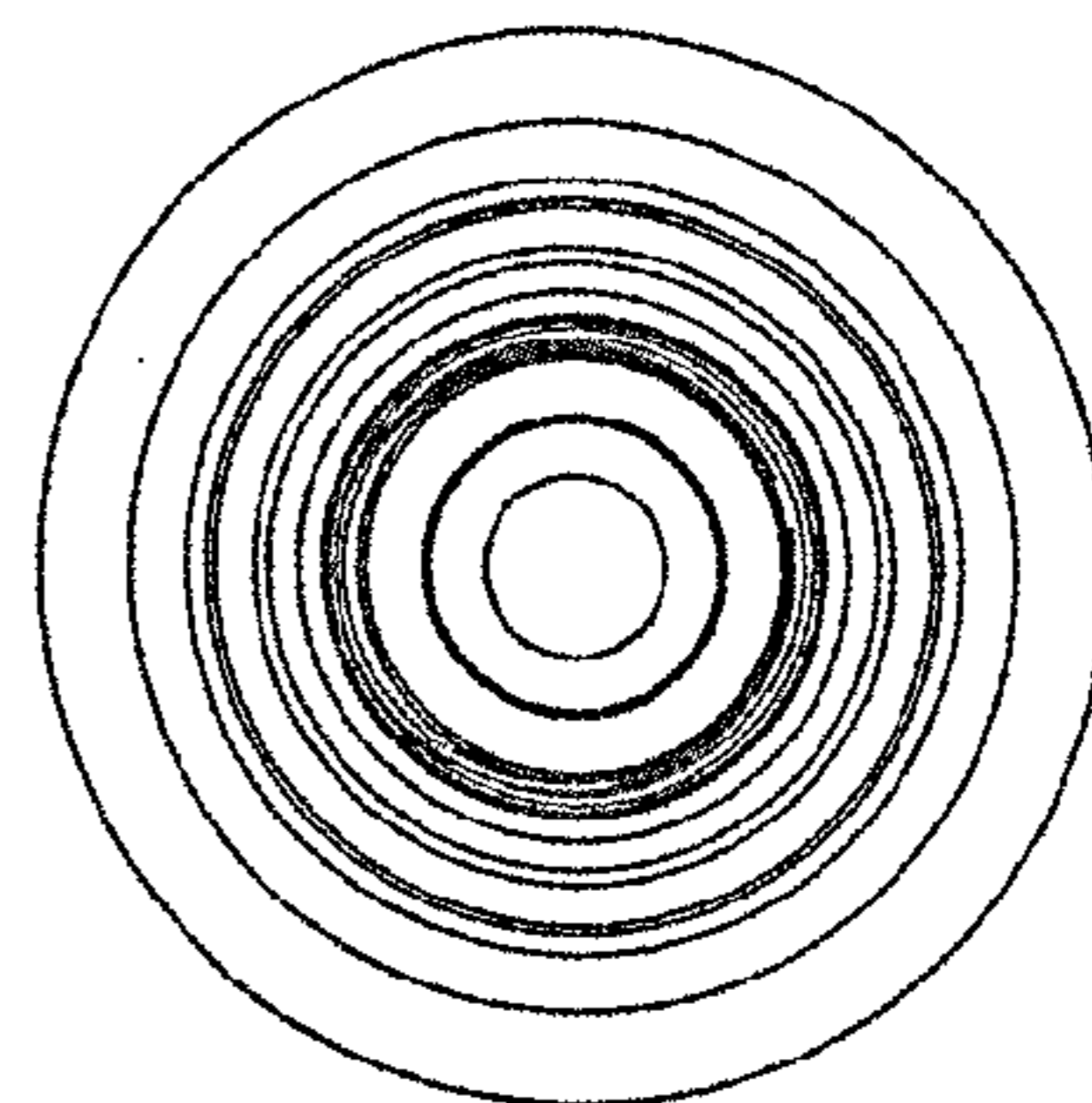


Fig. 7

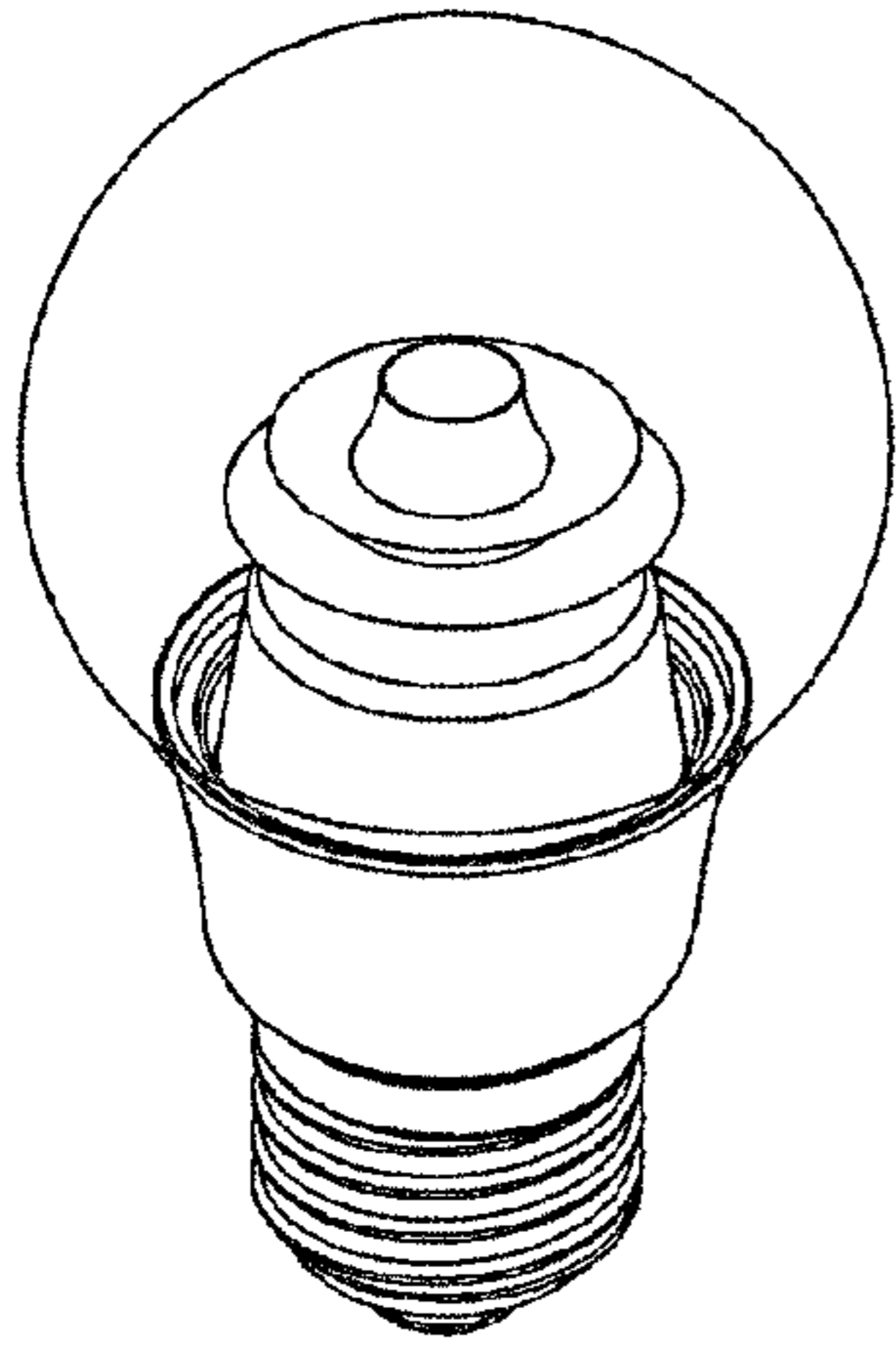


Fig. 8

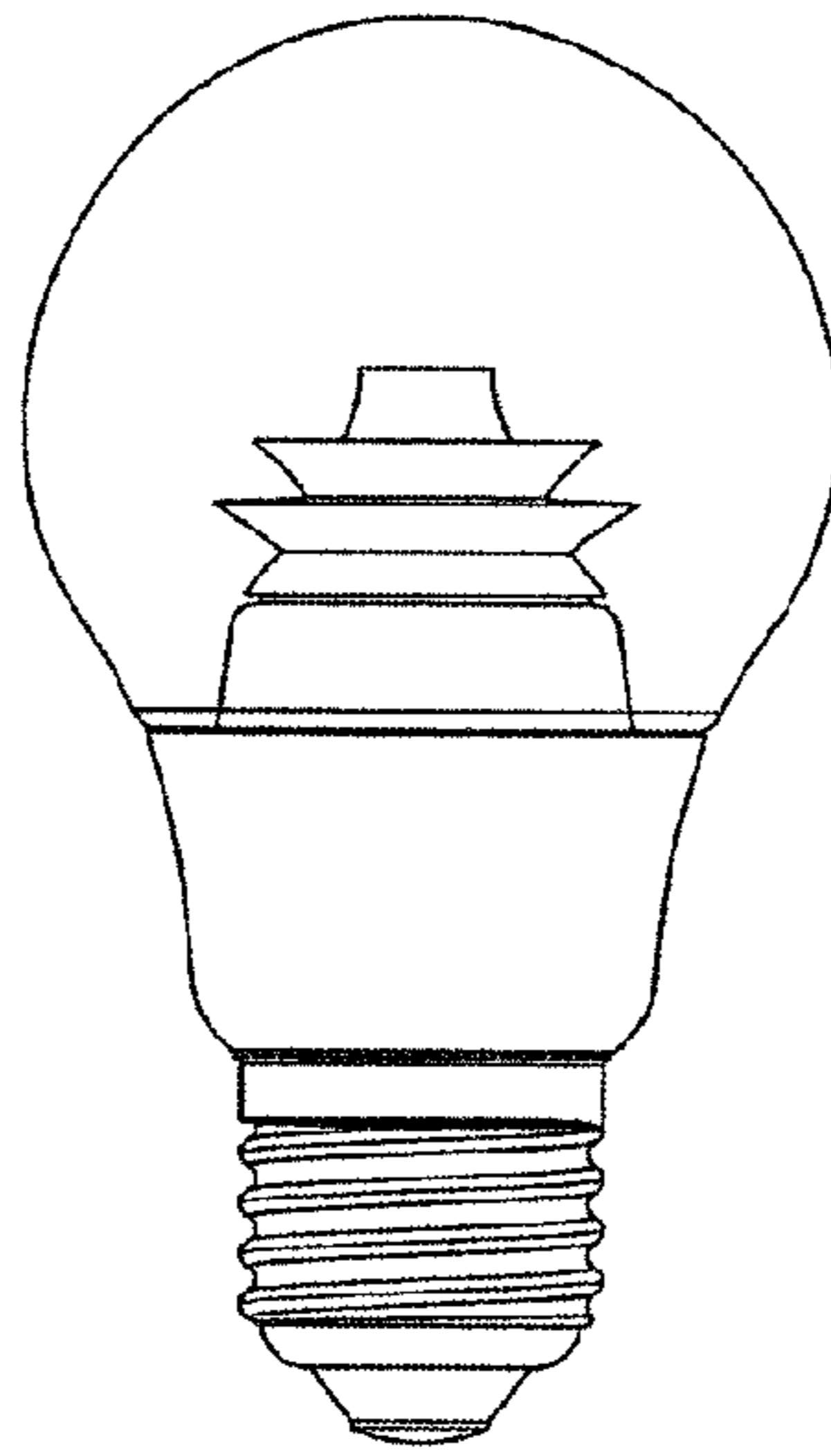


Fig. 9

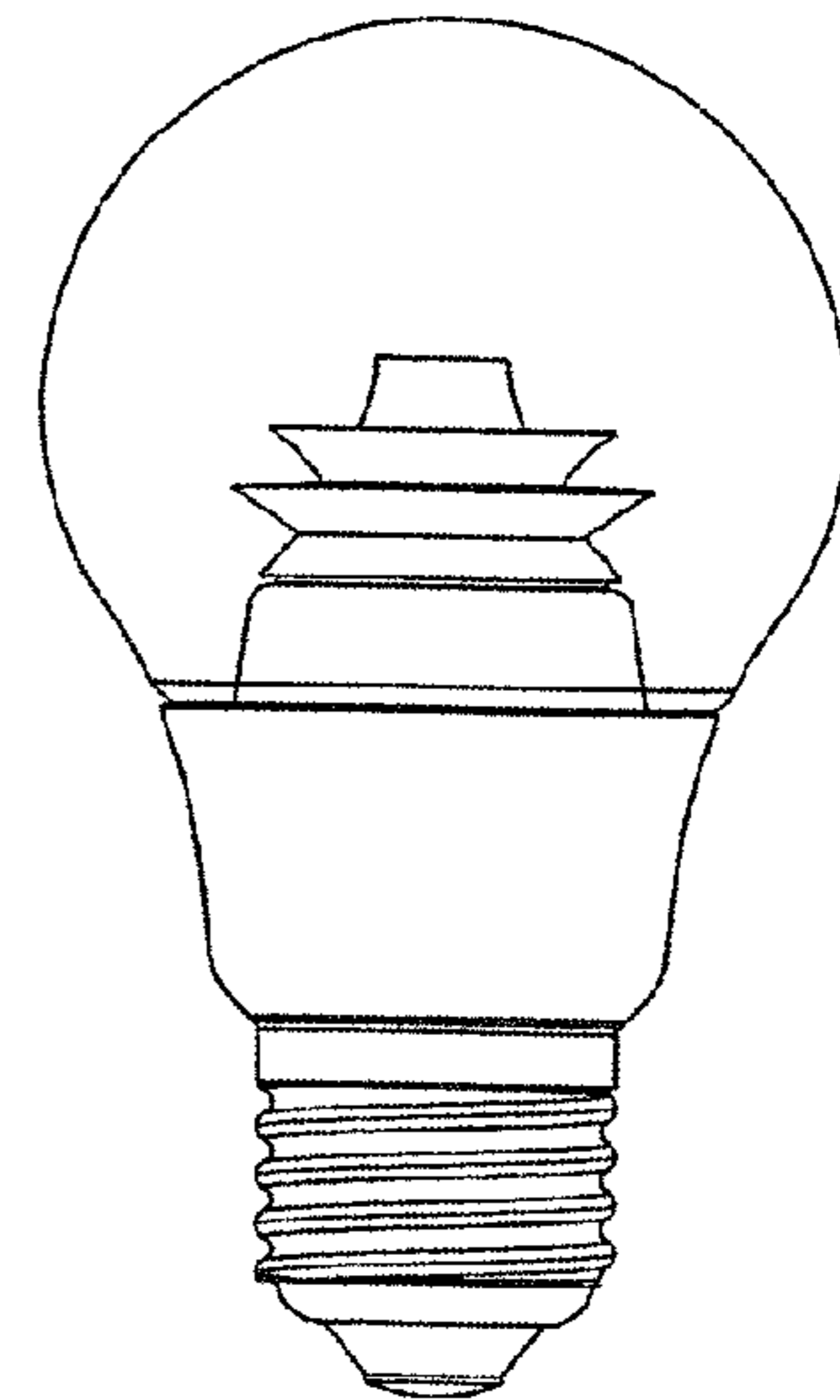


Fig. 10

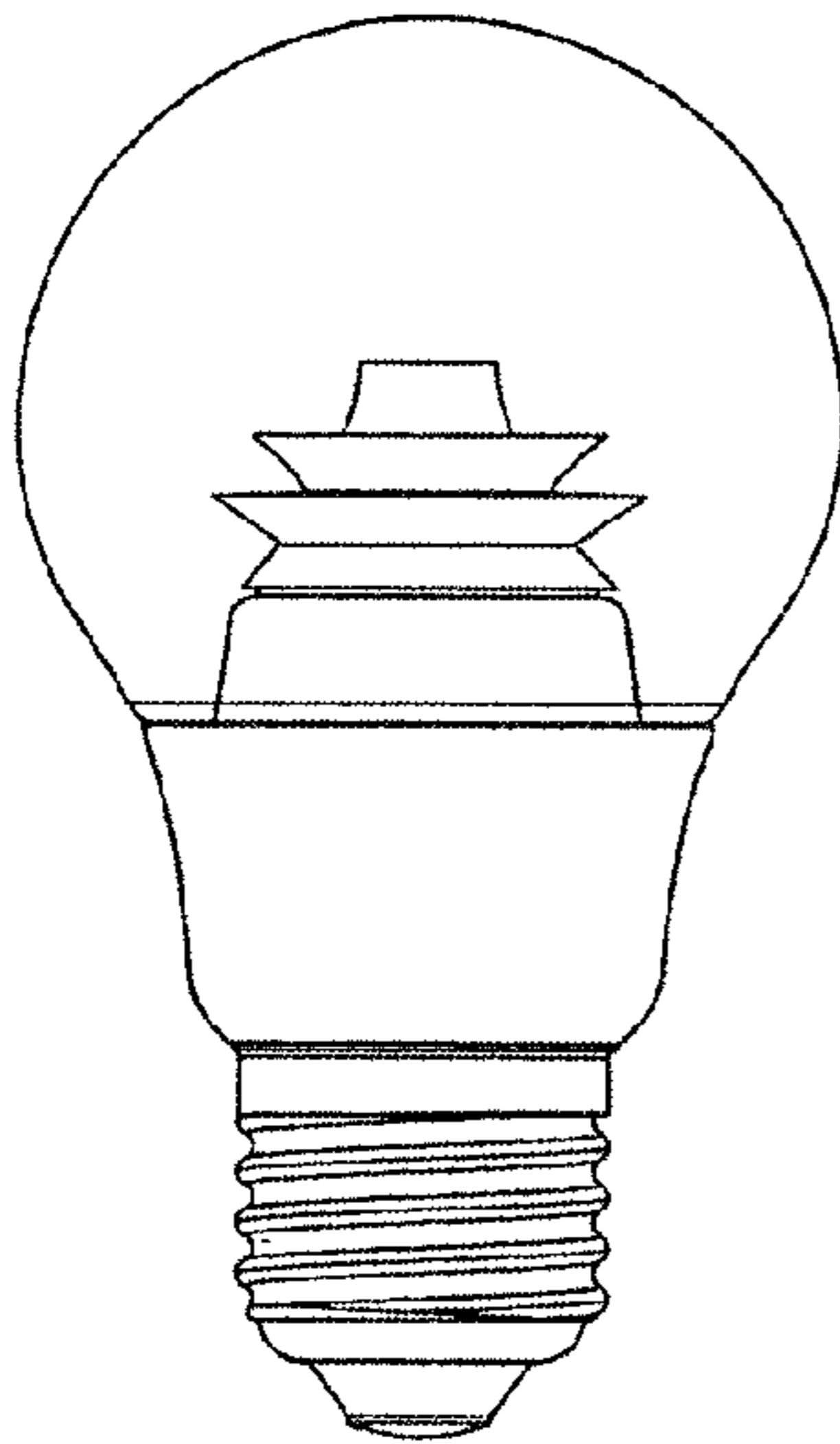


Fig. 11

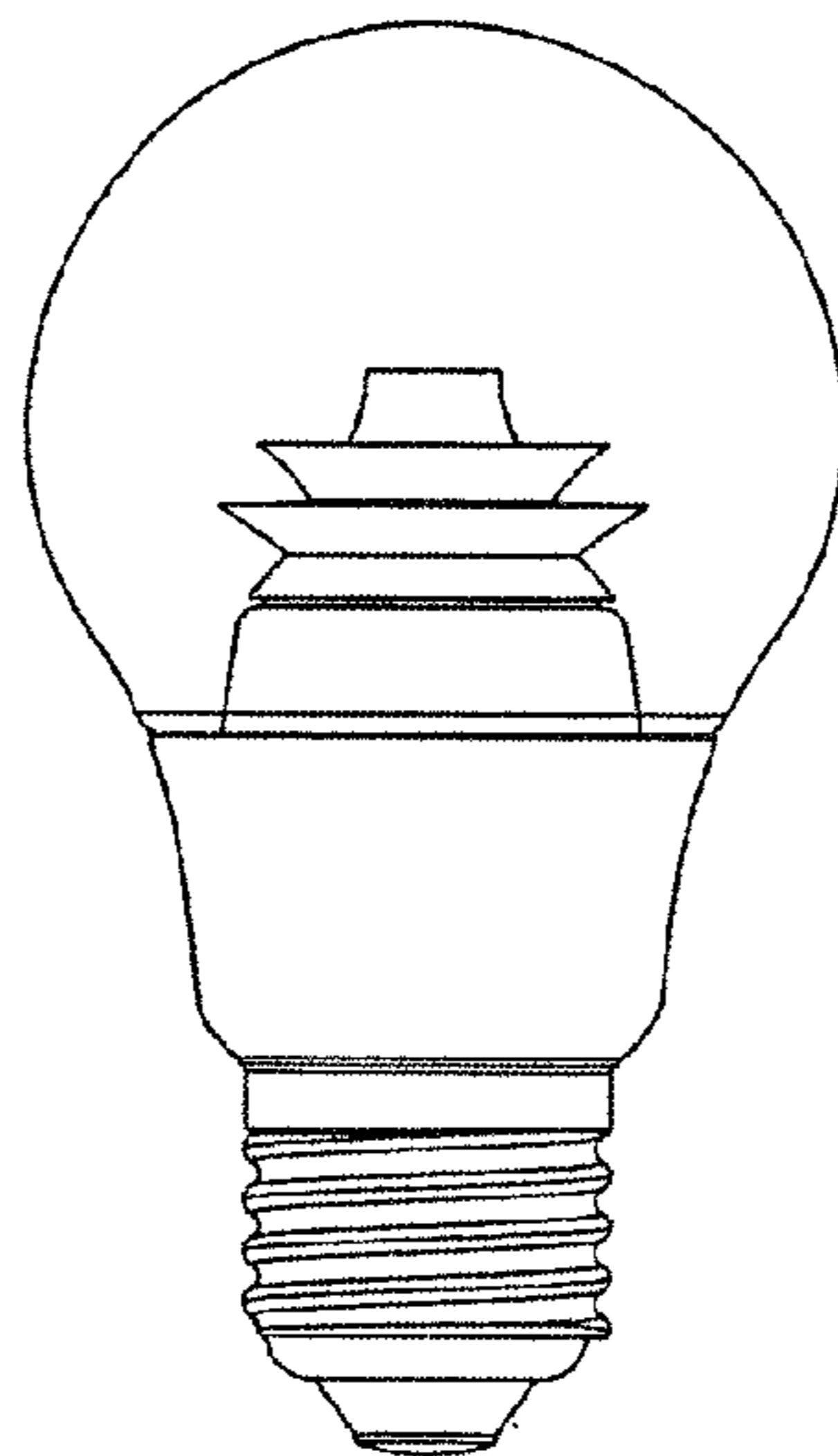


Fig. 12

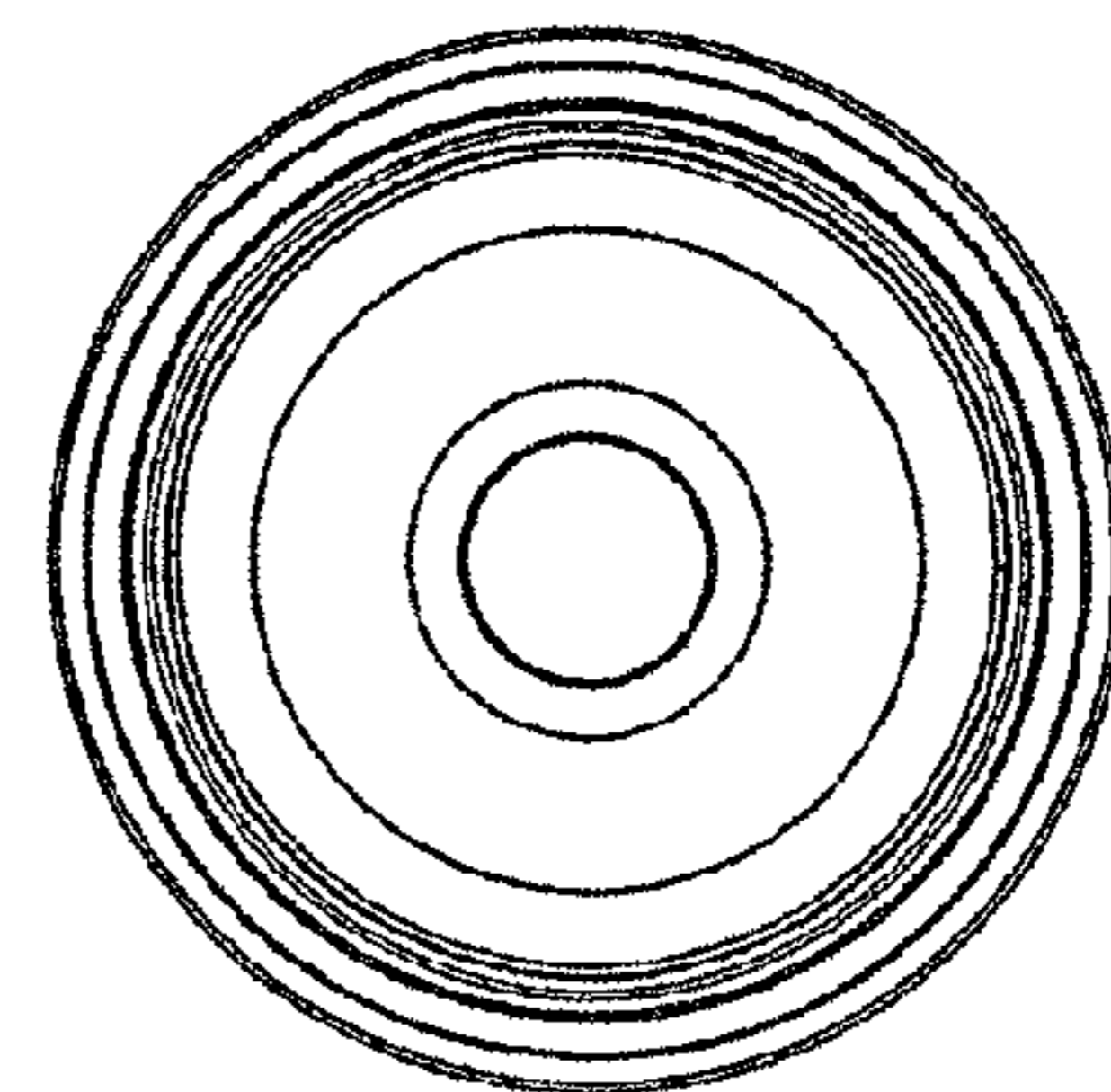


Fig. 13

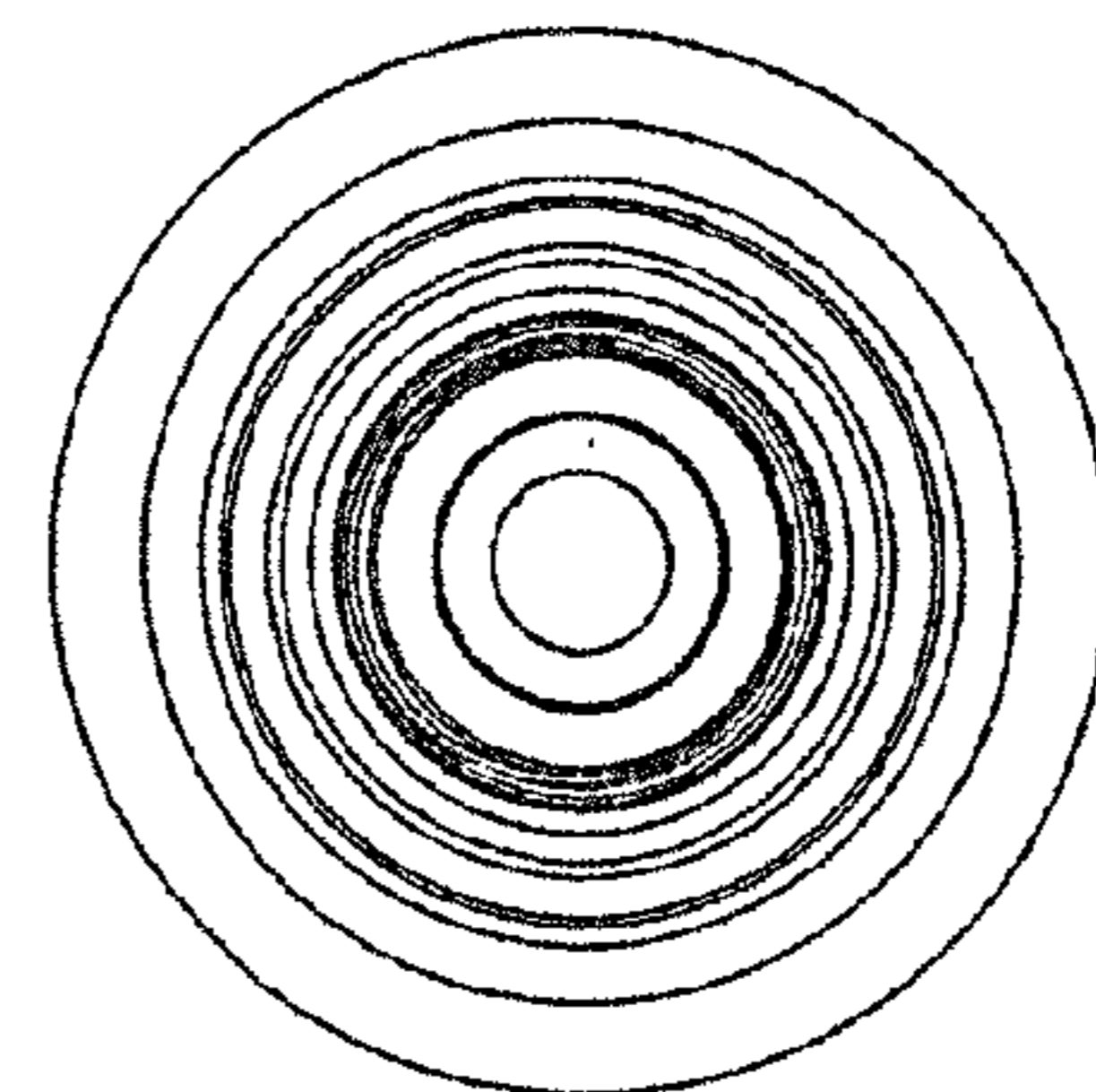


Fig. 14

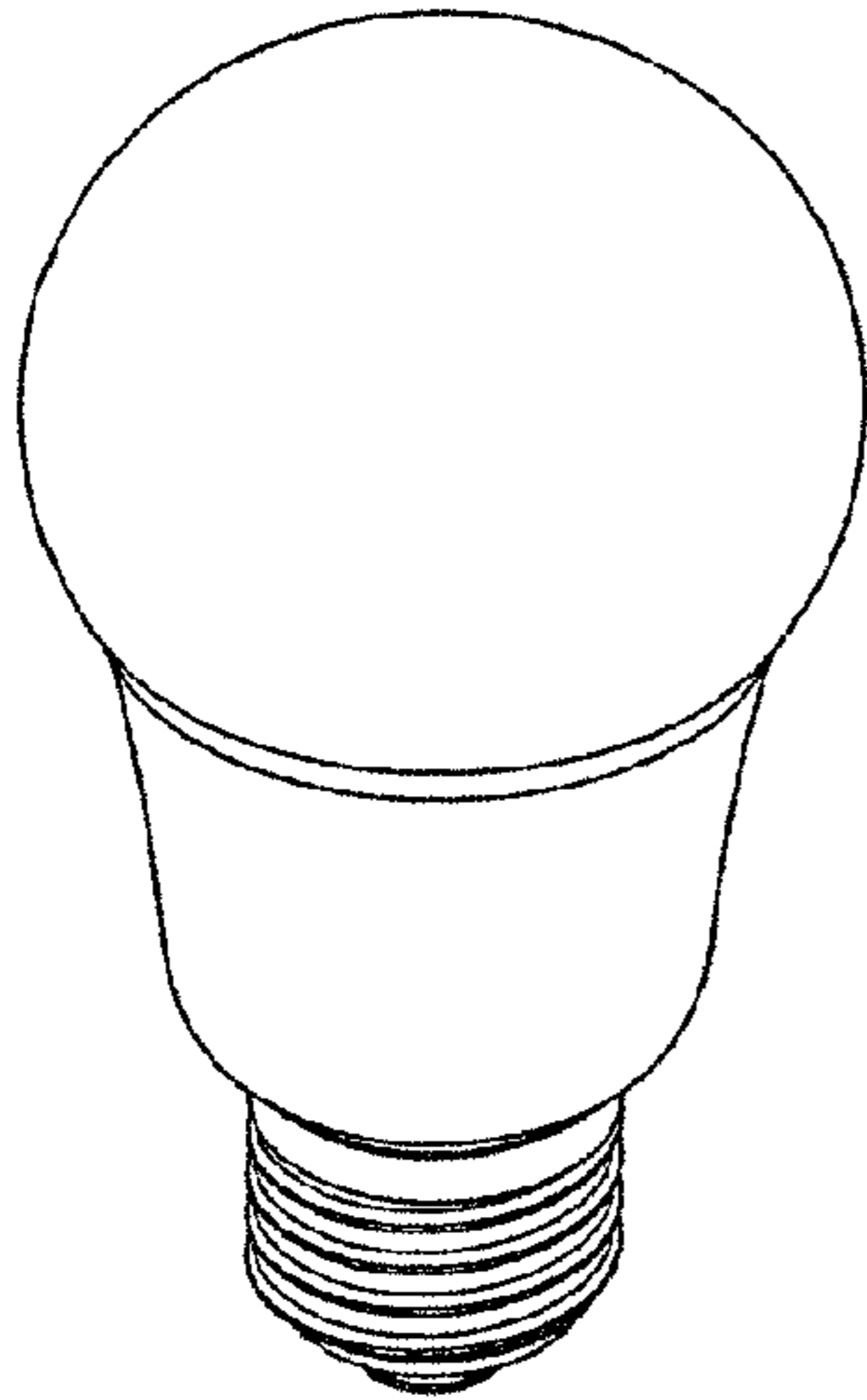


Fig. 15

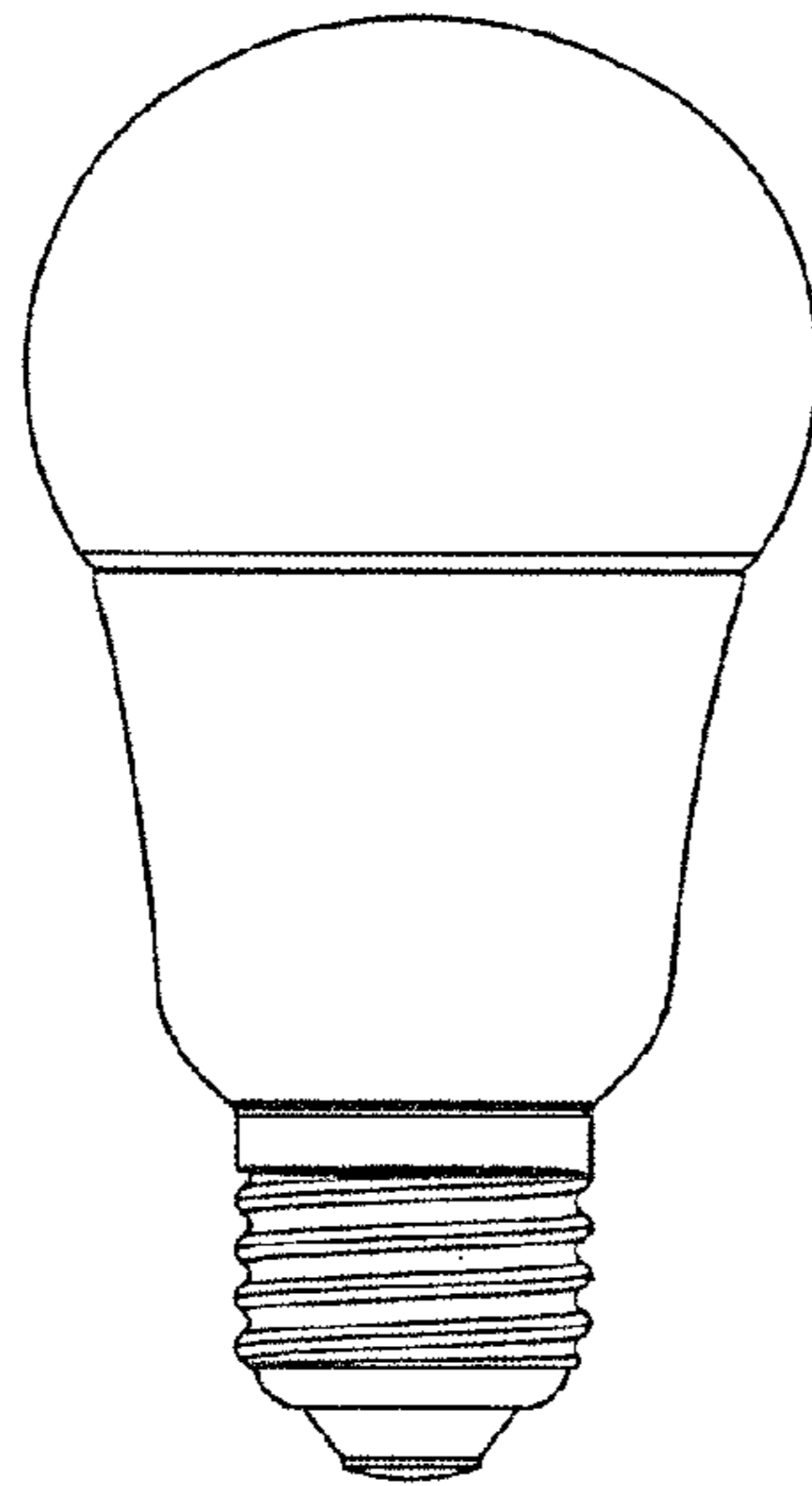


Fig. 16

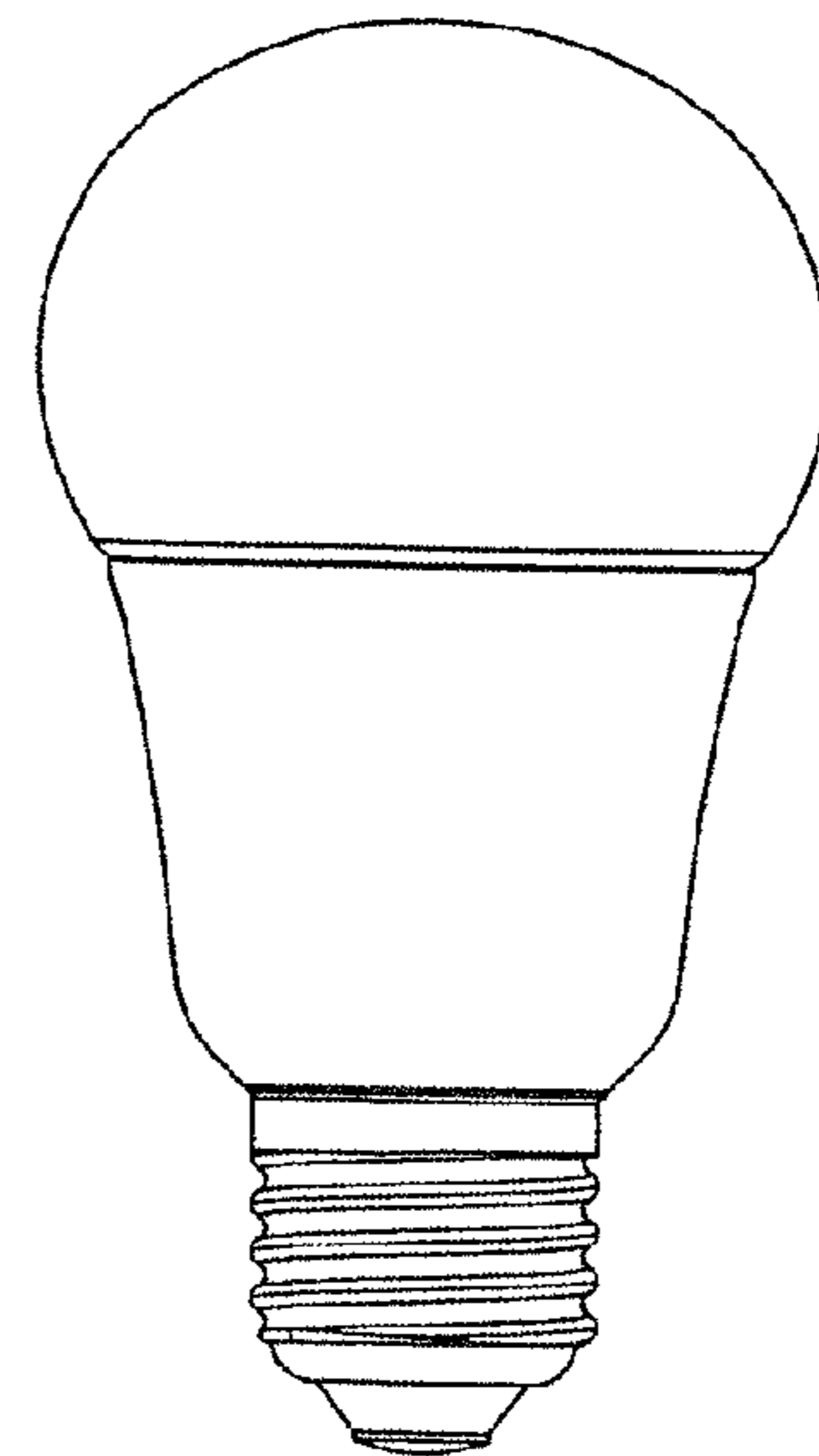


Fig. 17

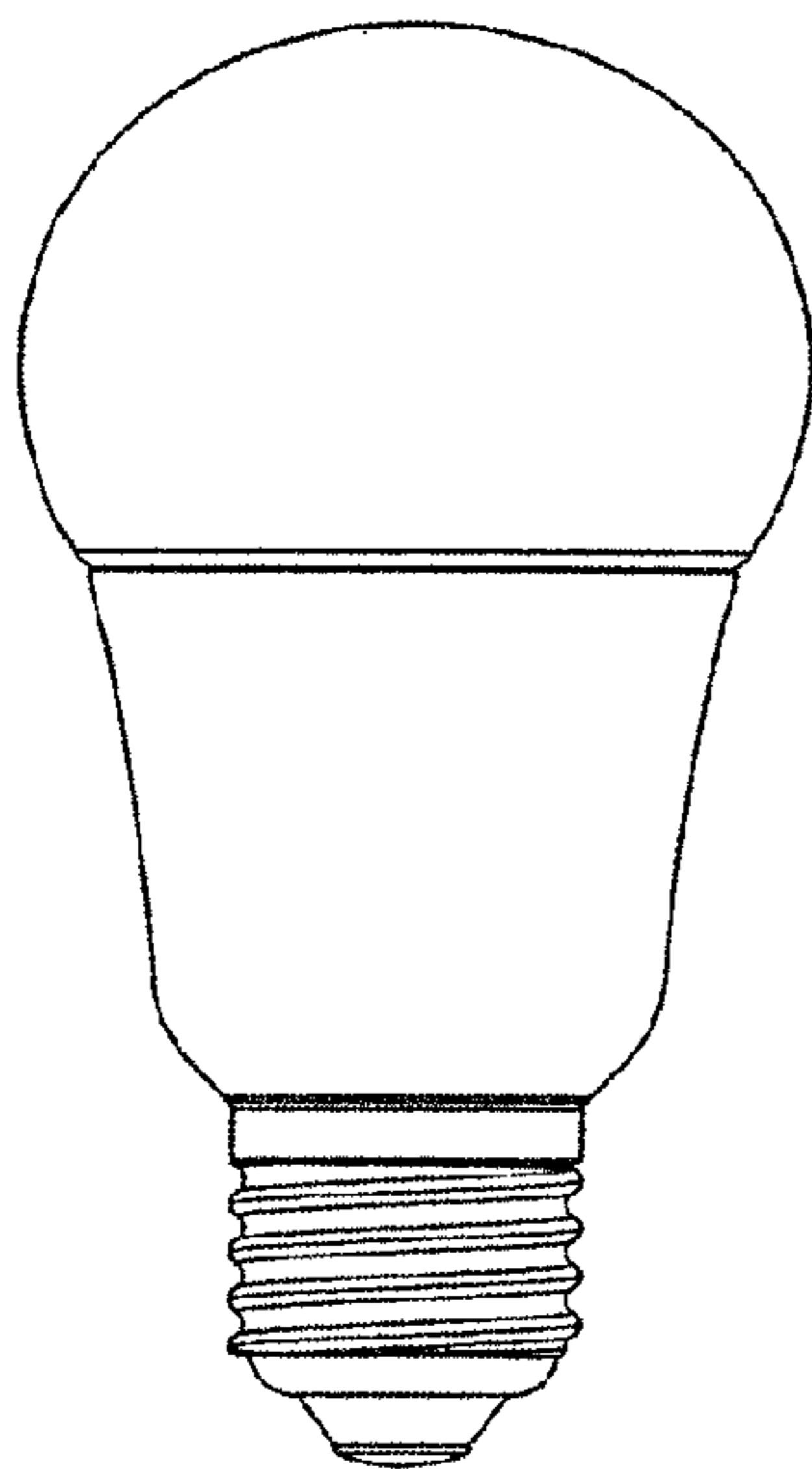


Fig. 18

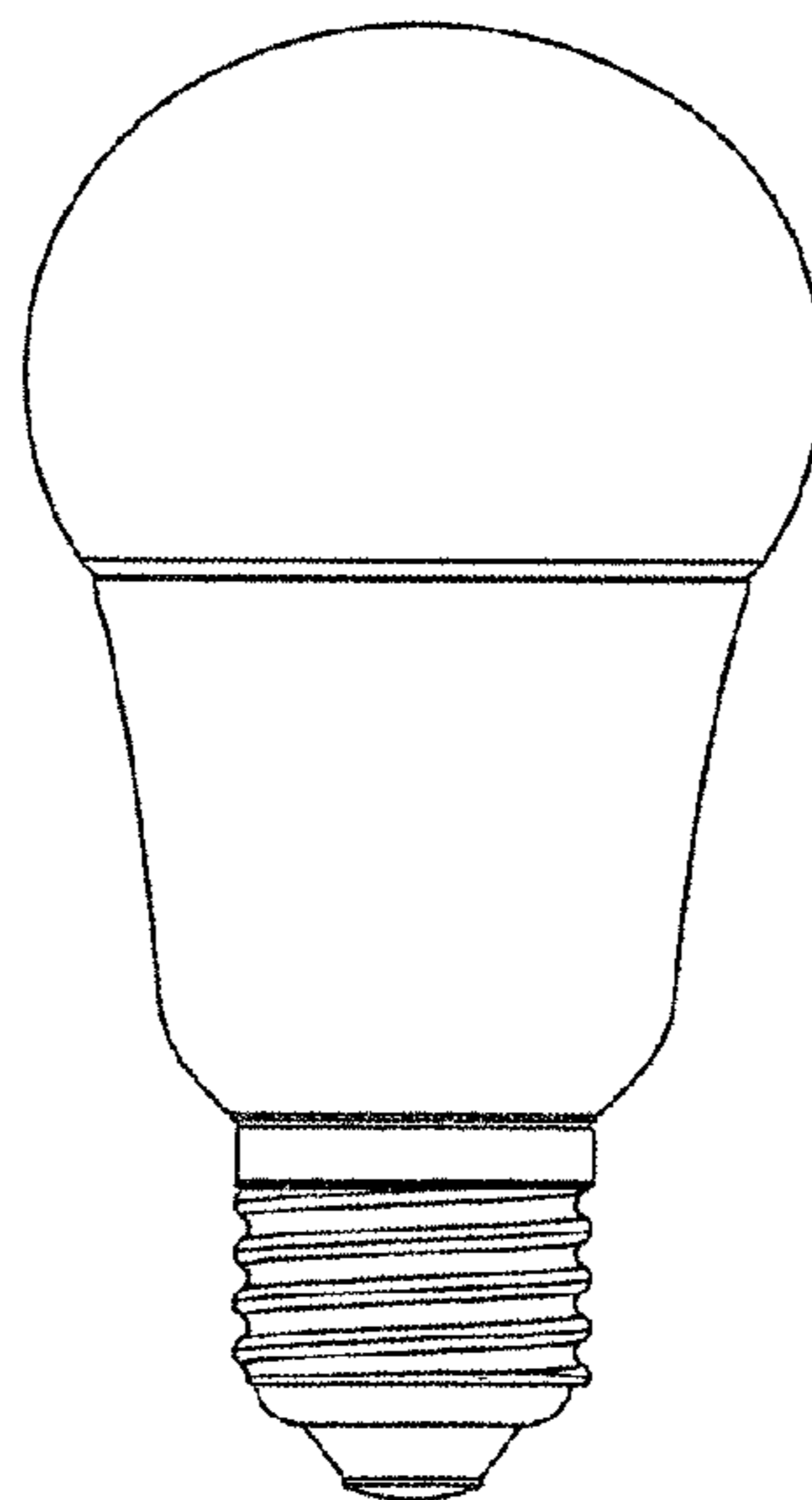


Fig. 19

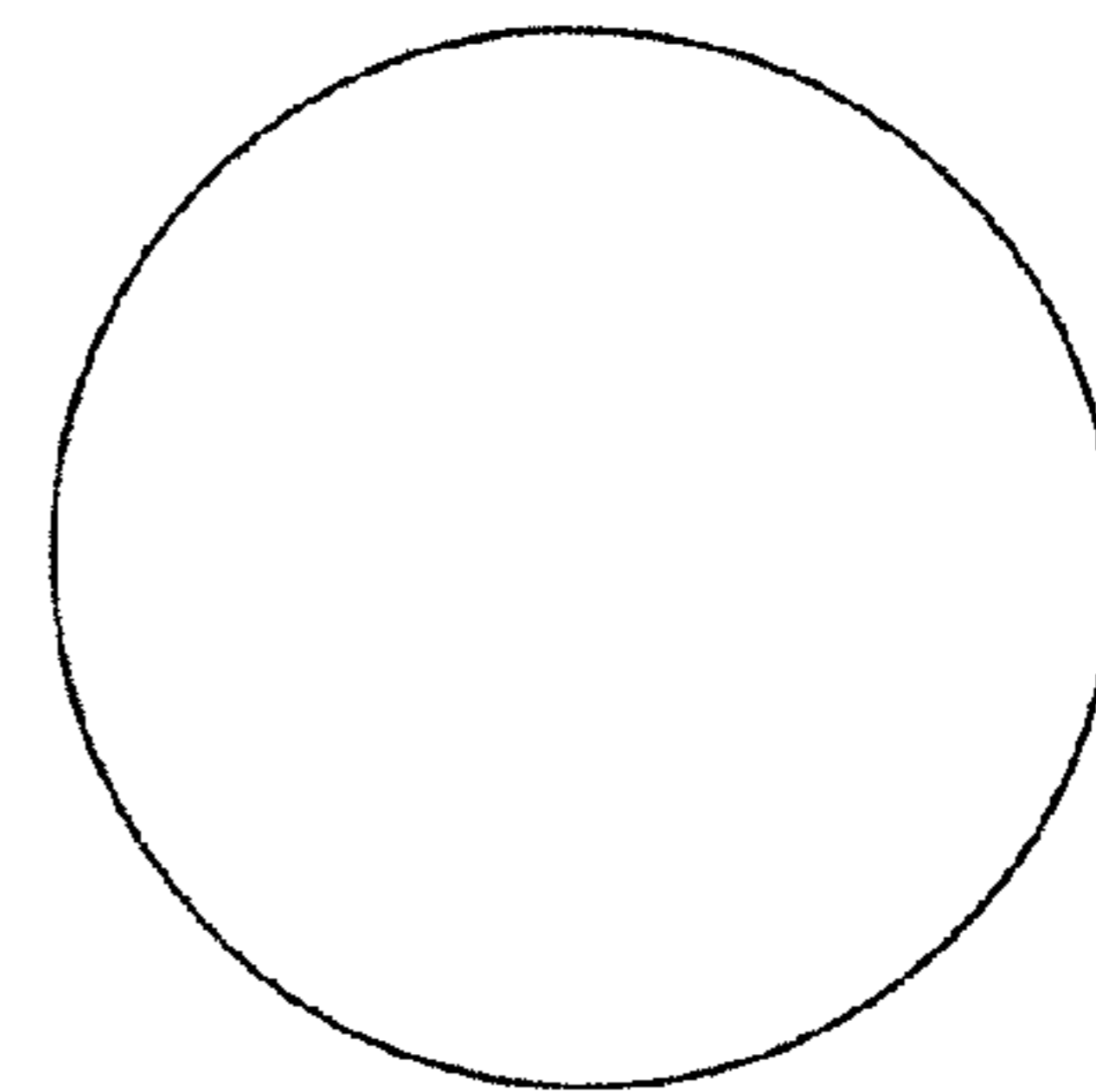


Fig. 20

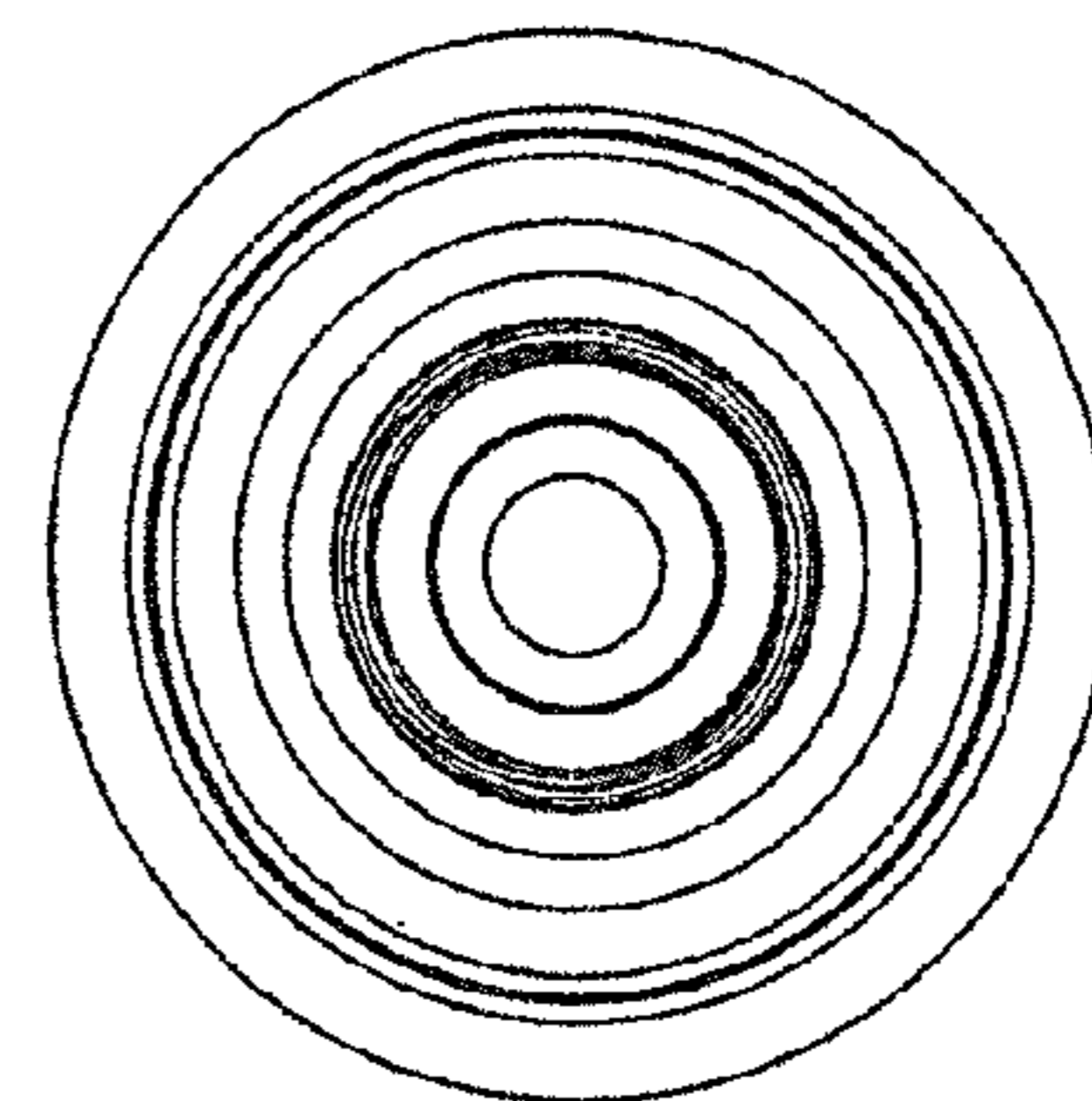


Fig. 21

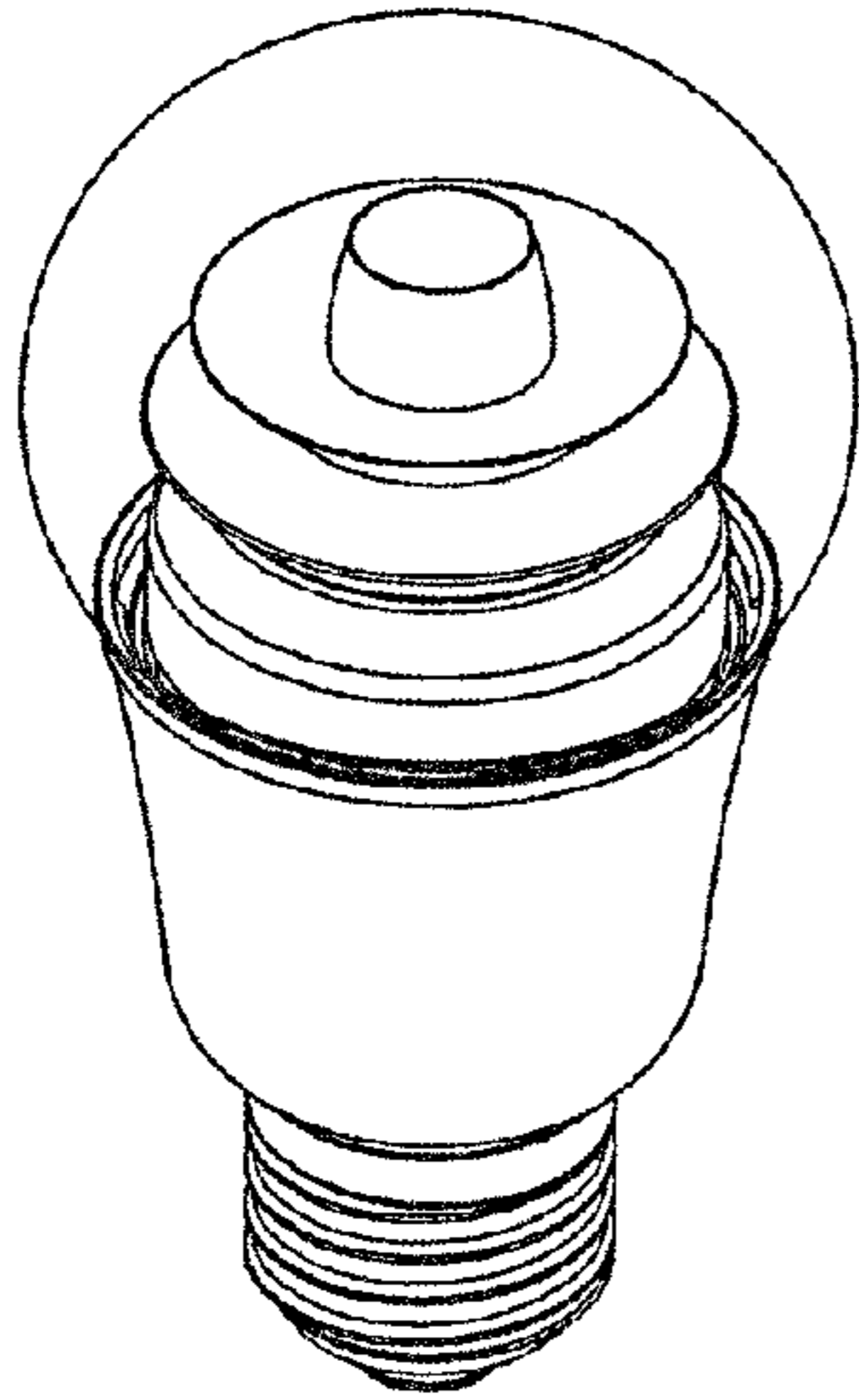


Fig. 22

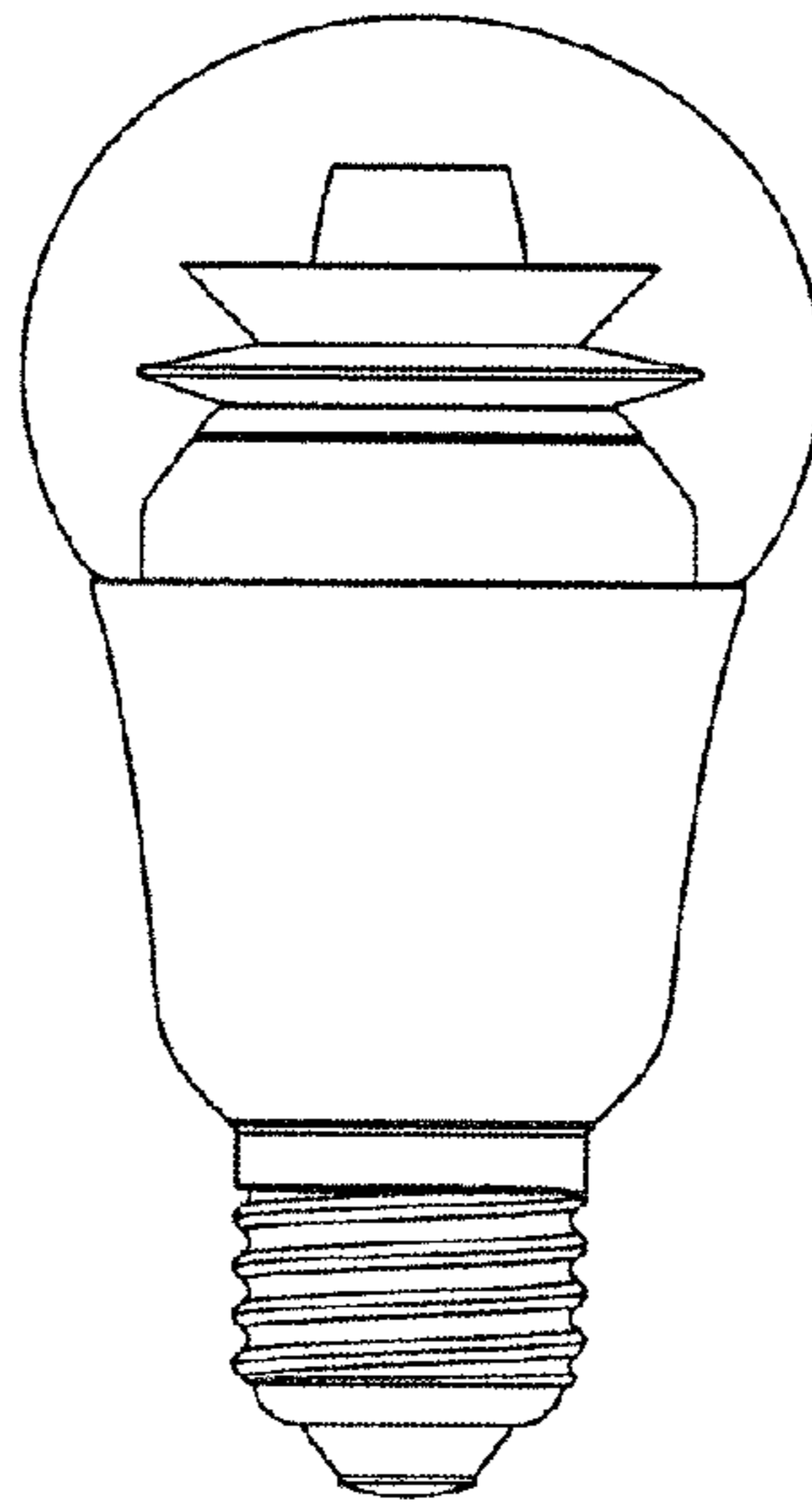


Fig. 23

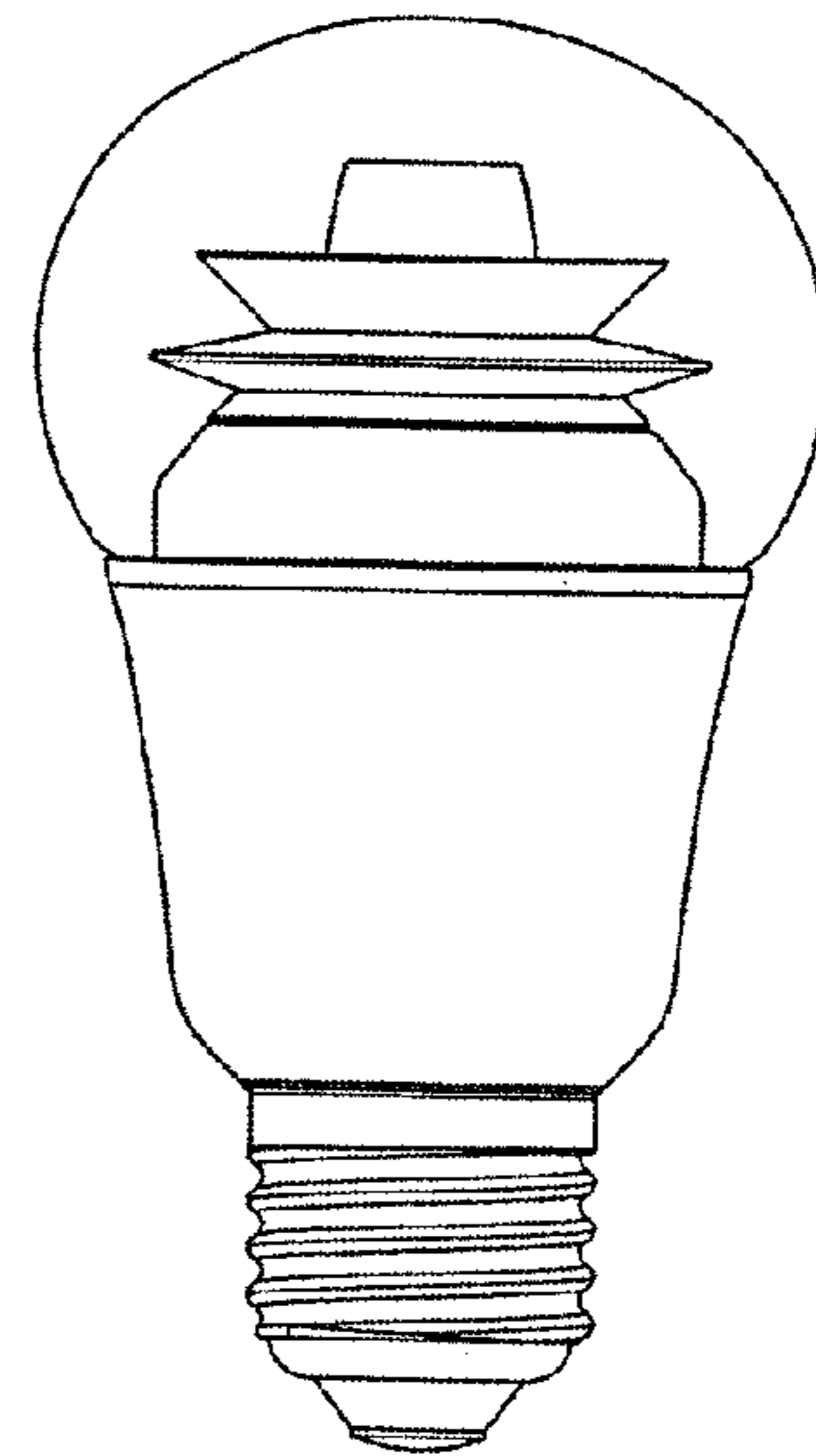


Fig. 24

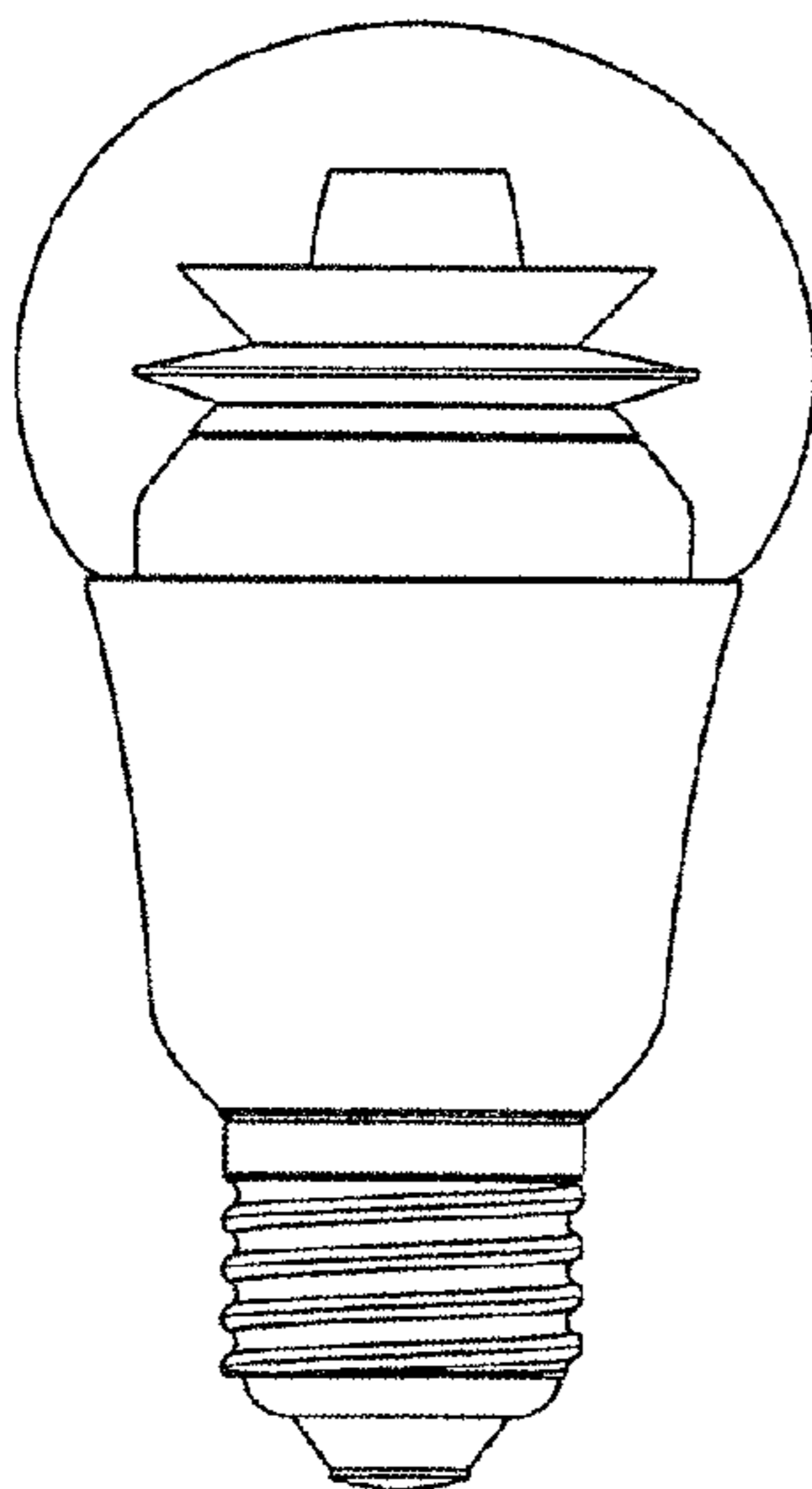


Fig. 25

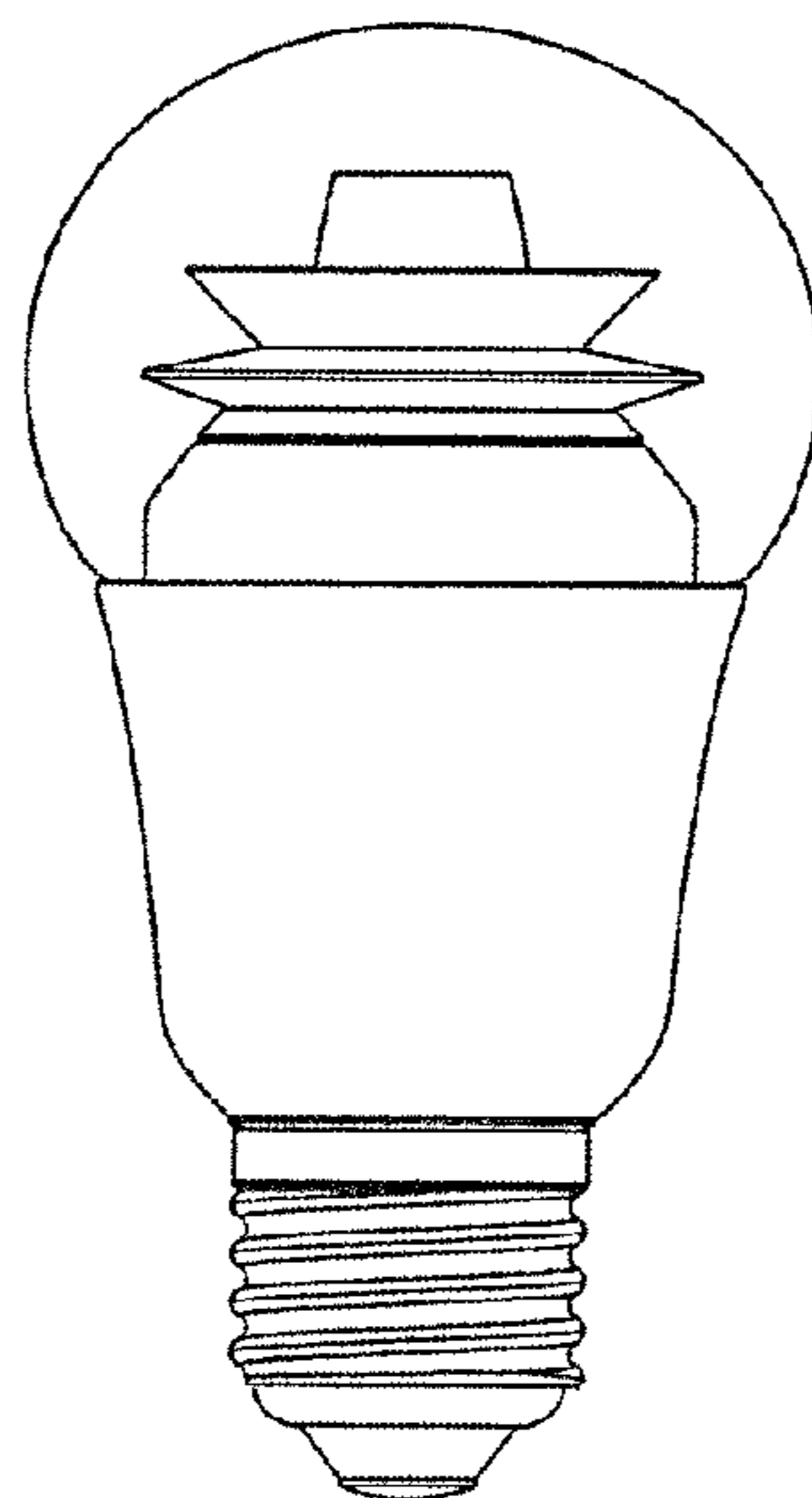


Fig. 26

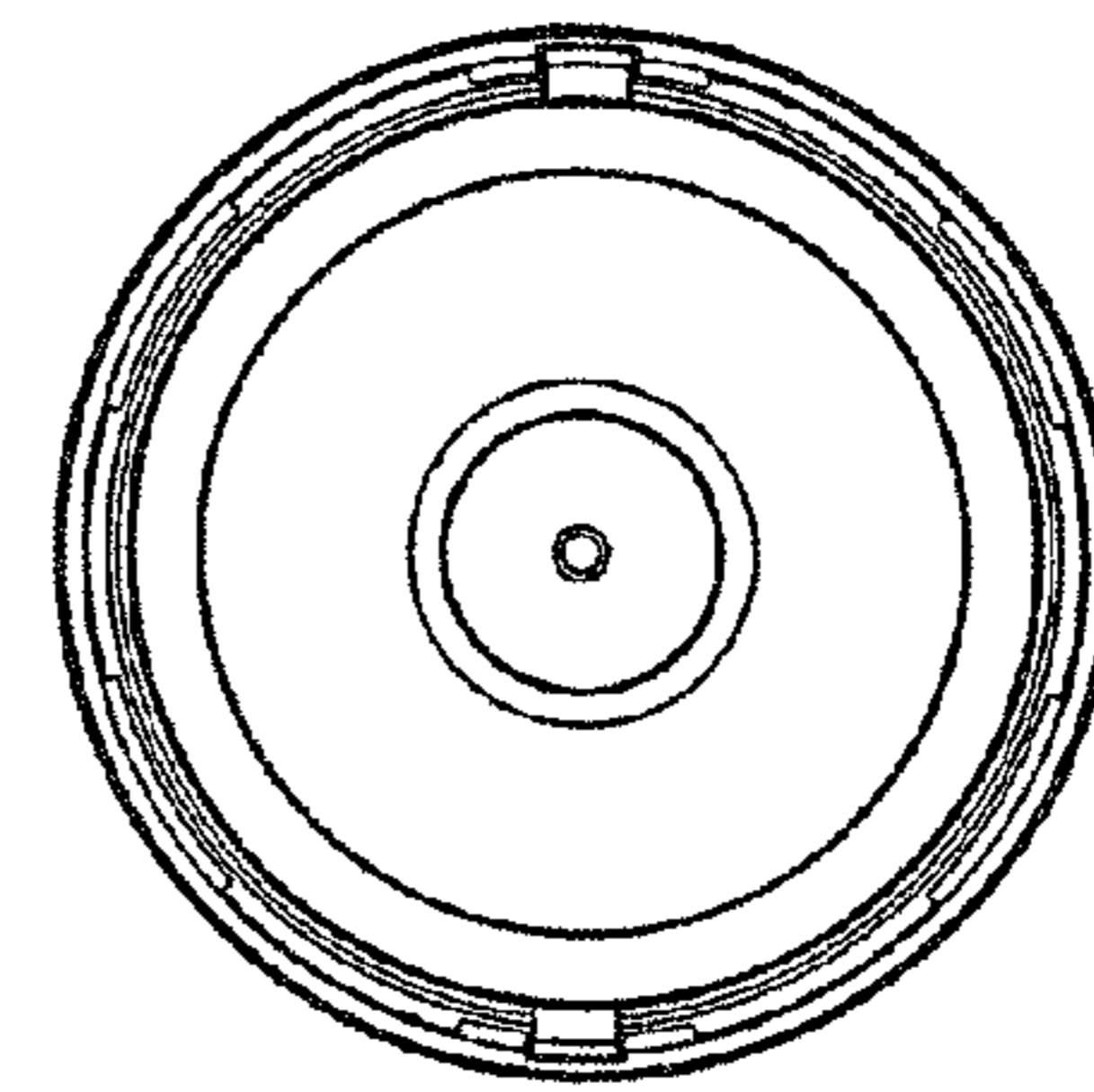


Fig. 27

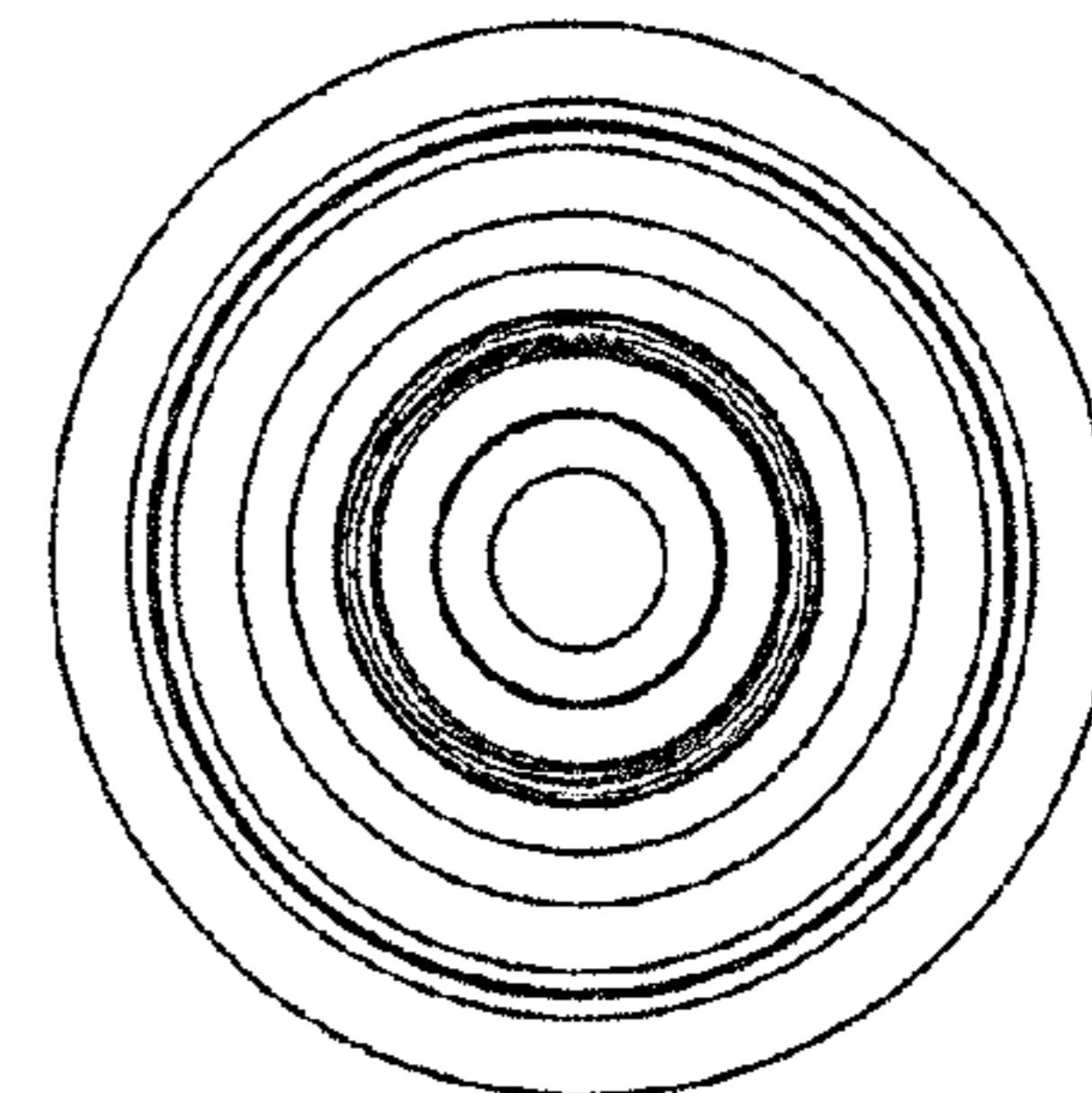


Fig. 28