



US00D736965S

(12) **United States Design Patent**
He et al.

(10) **Patent No.:** **US D736,965 S**
(45) **Date of Patent:** **** Aug. 18, 2015**

(54) **LIGHT EMITTING DIODE LAMP UNIT**

D687,985 S * 8/2013 Tu D26/2

(71) Applicant: **OSRAM GmbH**, Munich (DE)

* cited by examiner

(72) Inventors: **Guoan He**, Shaoxing Zhejiang (CN);
Jing Lin, Shenzhen Guangdong (CN);
MingTao Wang, Shenzhen Guangdong
(CN); **HongWei Zhang**, Shenzhen
Guangdong (CN)

Primary Examiner — Marcus Jackson

(73) Assignee: **Osram GmbH**, Munich (DE)

(57) **CLAIM**

(**) Term: **14 Years**

The ornamental design for a light emitting diode lamp unit, as shown and described.

(21) Appl. No.: **29/473,931**

(22) Filed: **Nov. 27, 2013**

(30) **Foreign Application Priority Data**

DESCRIPTION

Jun. 5, 2013 (EM) 002249938

(51) **LOC (10) Cl.** **26-04**

(52) **U.S. Cl.**
USPC **D26/2**

(58) **Field of Classification Search**
USPC D26/1-4; 313/313, 315, 316, 317, 318,
313/493; 315/52, 53, 56, 57, 58
See application file for complete search history.

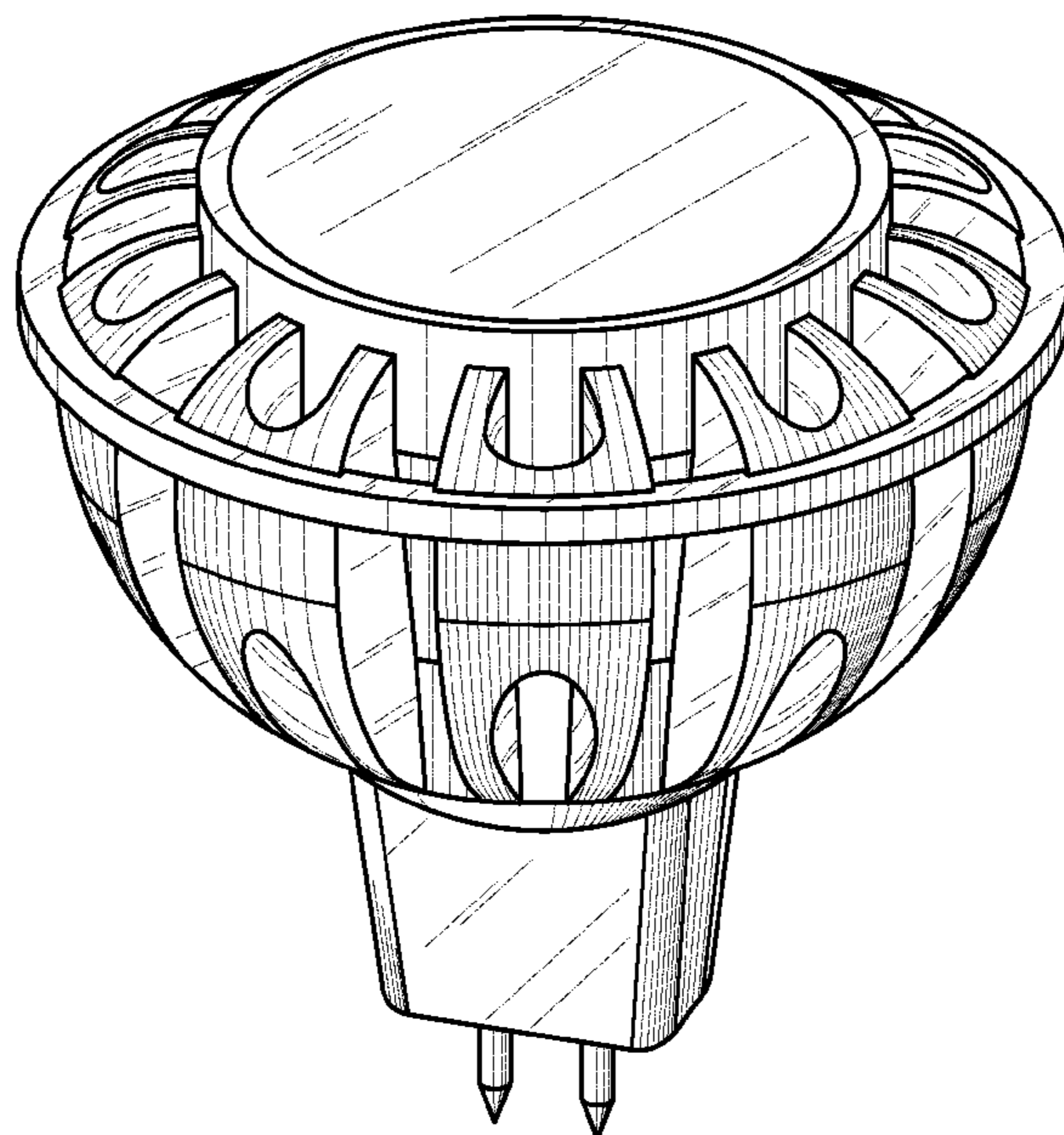
FIG. 1 is a perspective view of a first embodiment of an ornamental design for a light emitting diode lamp unit; FIG. 2 is a front elevational view of the light emitting diode lamp unit of FIG. 1, the rear elevation view of the light emitting diode lamp unit being the same as FIG. 2; FIG. 3 is a right side elevational view of the light emitting diode lamp unit of FIG. 1, the left side elevation view of the light emitting diode lamp unit being the same as FIG. 3; FIG. 4 is a top plan view of the light emitting diode lamp unit of FIG. 1; FIG. 5 is a bottom plan view of the light emitting diode lamp unit of FIG. 1; FIG. 6 is a perspective view of a second embodiment of an ornamental design of a light emitting diode lamp unit; FIG. 7 is a front elevational view of the light emitting diode lamp unit of FIG. 6, the rear elevation view of the light emitting diode lamp unit being the same as FIG. 7; FIG. 8 is a right side elevational view of the light emitting diode lamp unit of FIG. 6, the left side elevation view of the light emitting diode lamp unit being the same as FIG. 8; FIG. 9 is a top plan view of the light emitting diode lamp unit of FIG. 6; and, FIG. 10 is a bottom plan view of the light emitting diode lamp unit of FIG. 6.

(56) **References Cited**

U.S. PATENT DOCUMENTS

D592,766 S * 5/2009 Zhu et al. D26/2
D607,587 S * 1/2010 Ko D26/2
D610,275 S * 2/2010 Cho D26/2
D612,956 S * 3/2010 Moon D26/2
D613,433 S * 4/2010 Moon D26/2

1 Claim, 10 Drawing Sheets



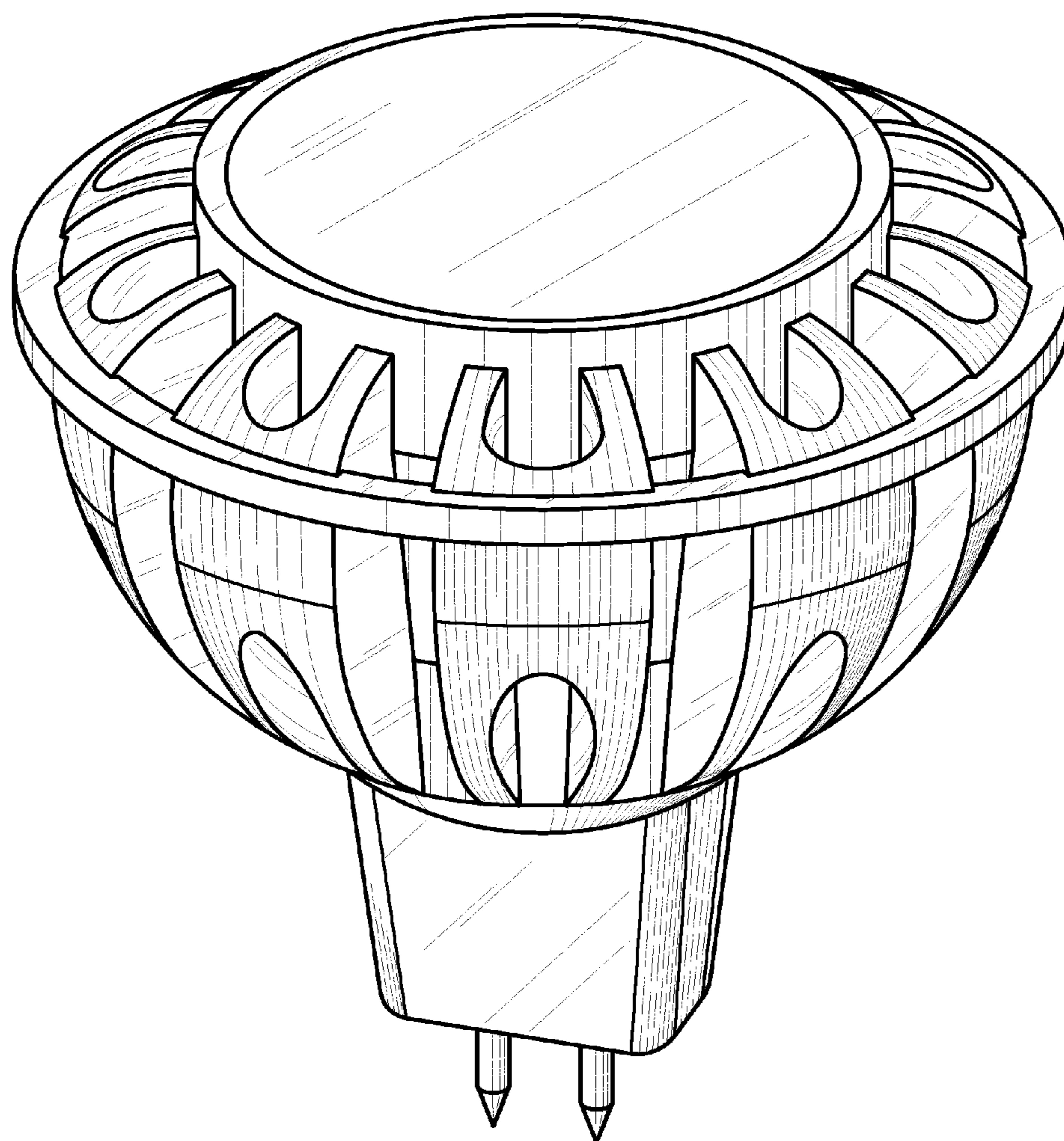


FIG 1

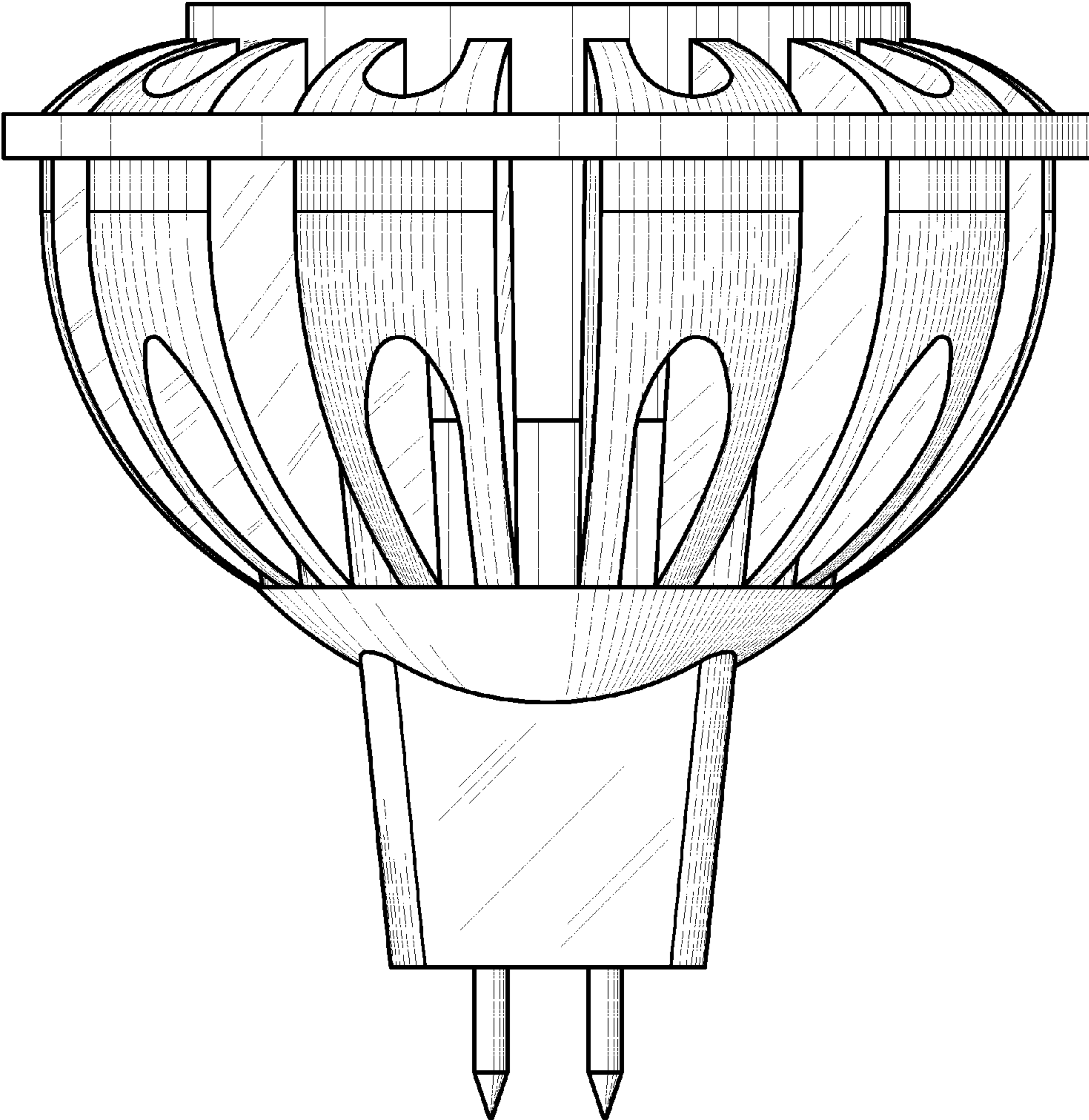


FIG 2

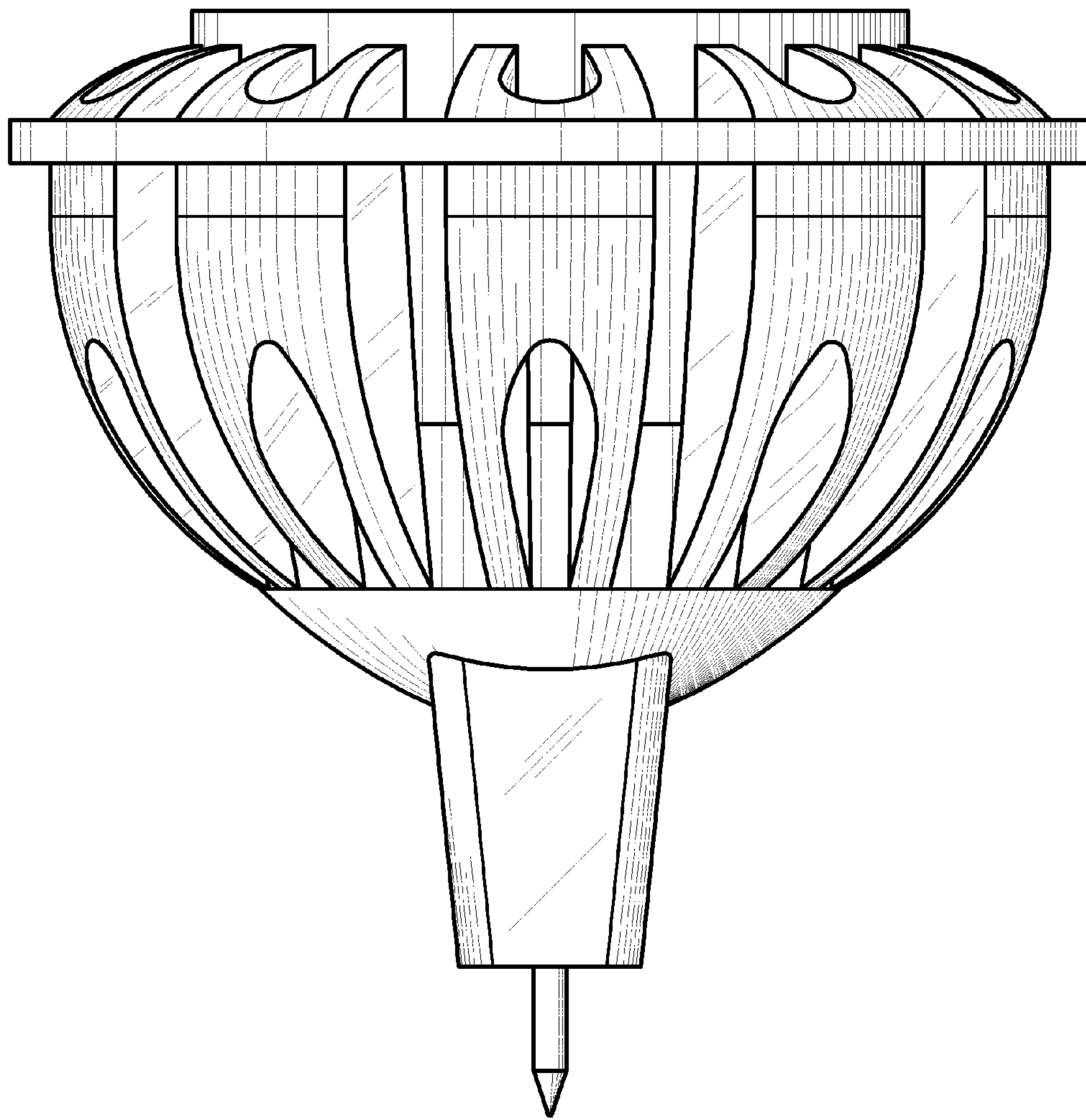


FIG 3

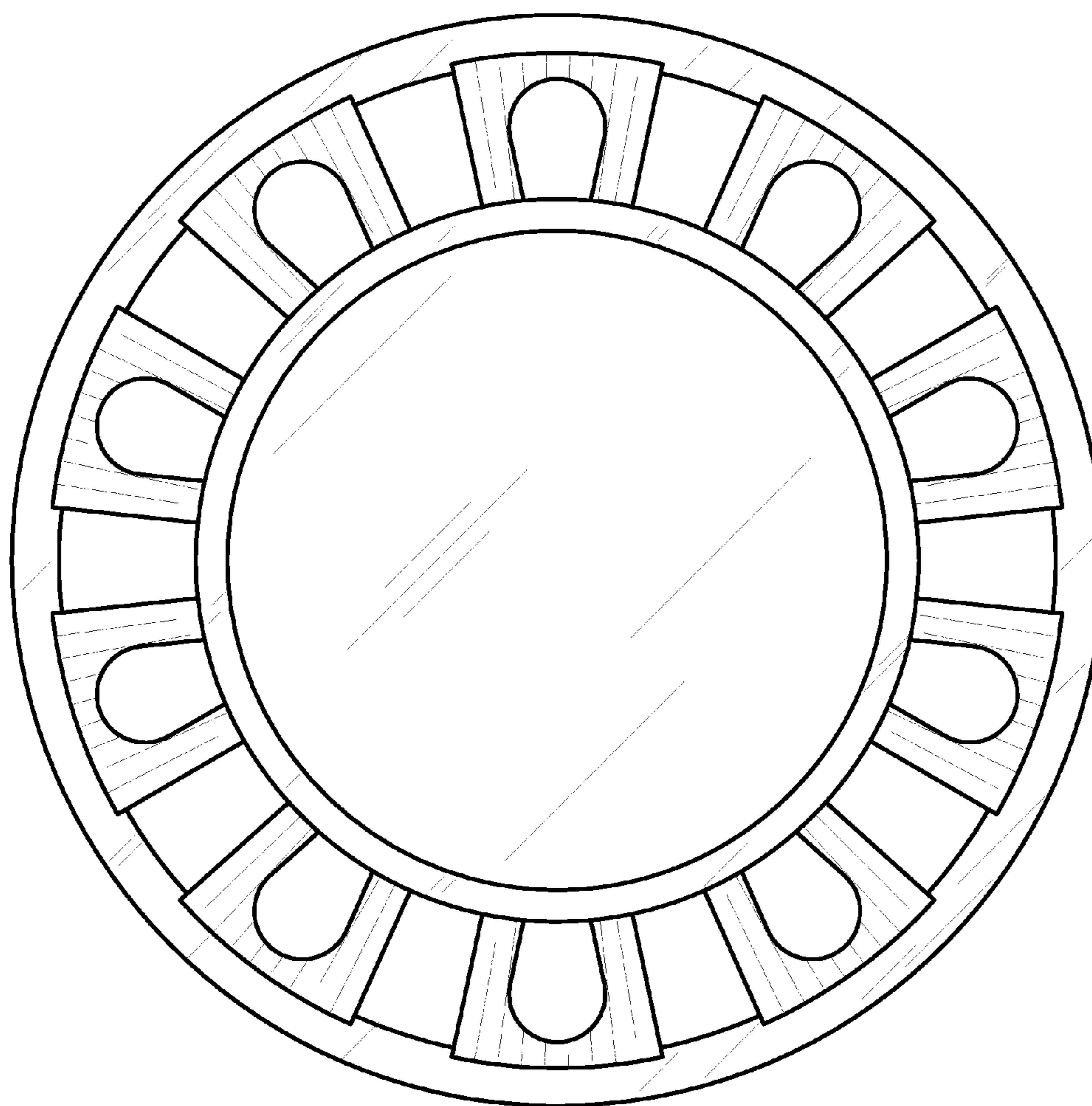


FIG 4

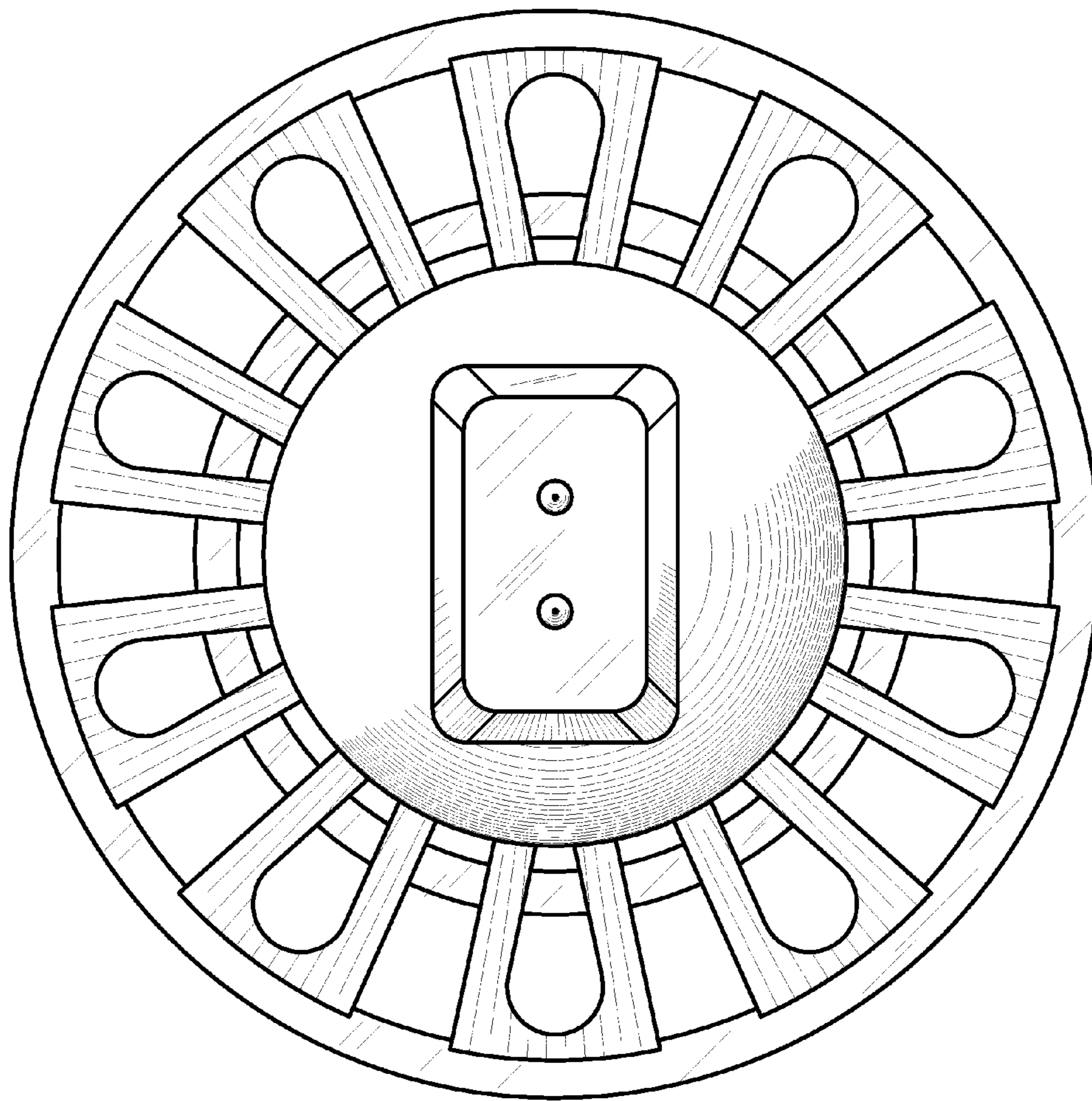


FIG 5

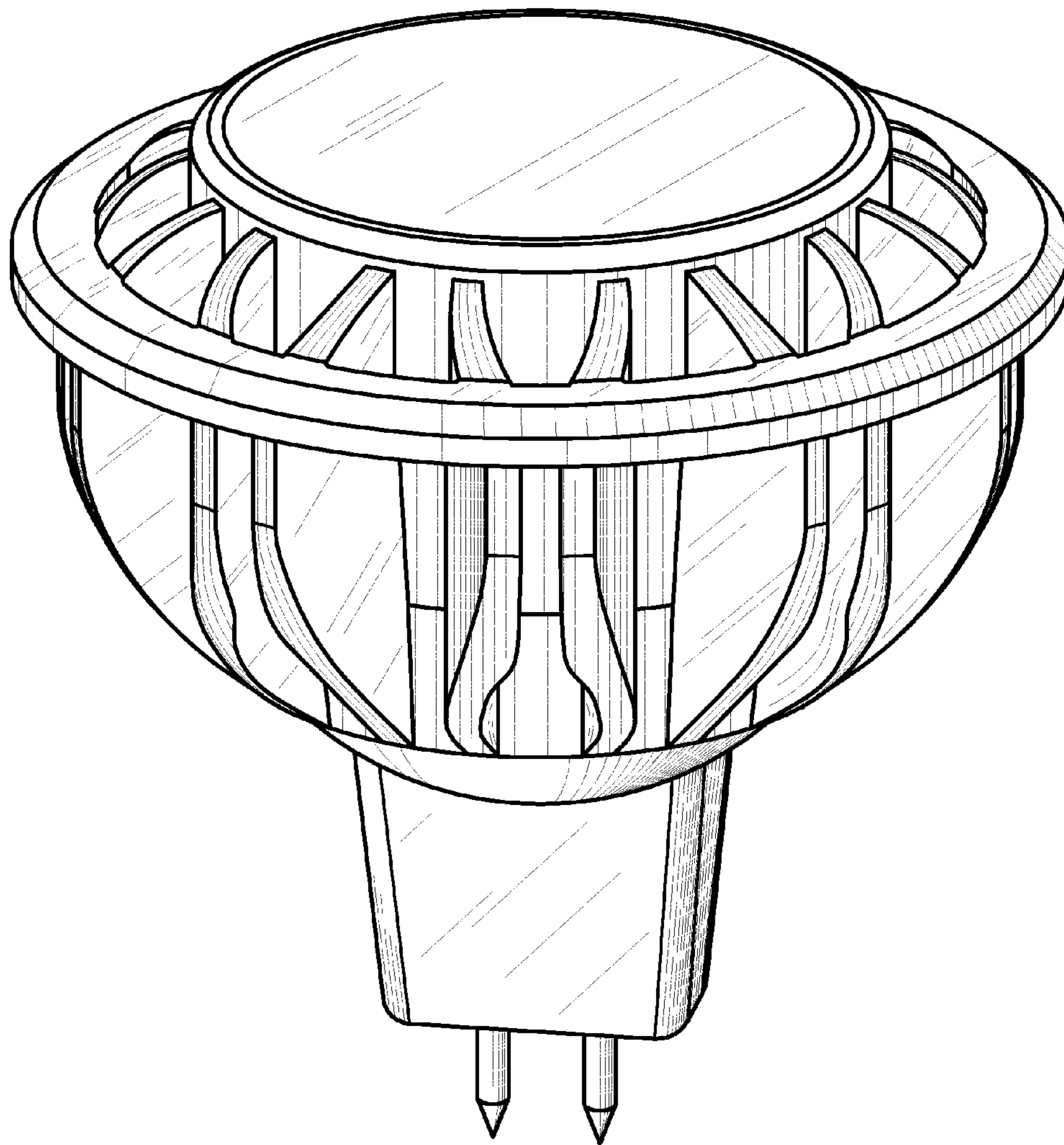


FIG 6

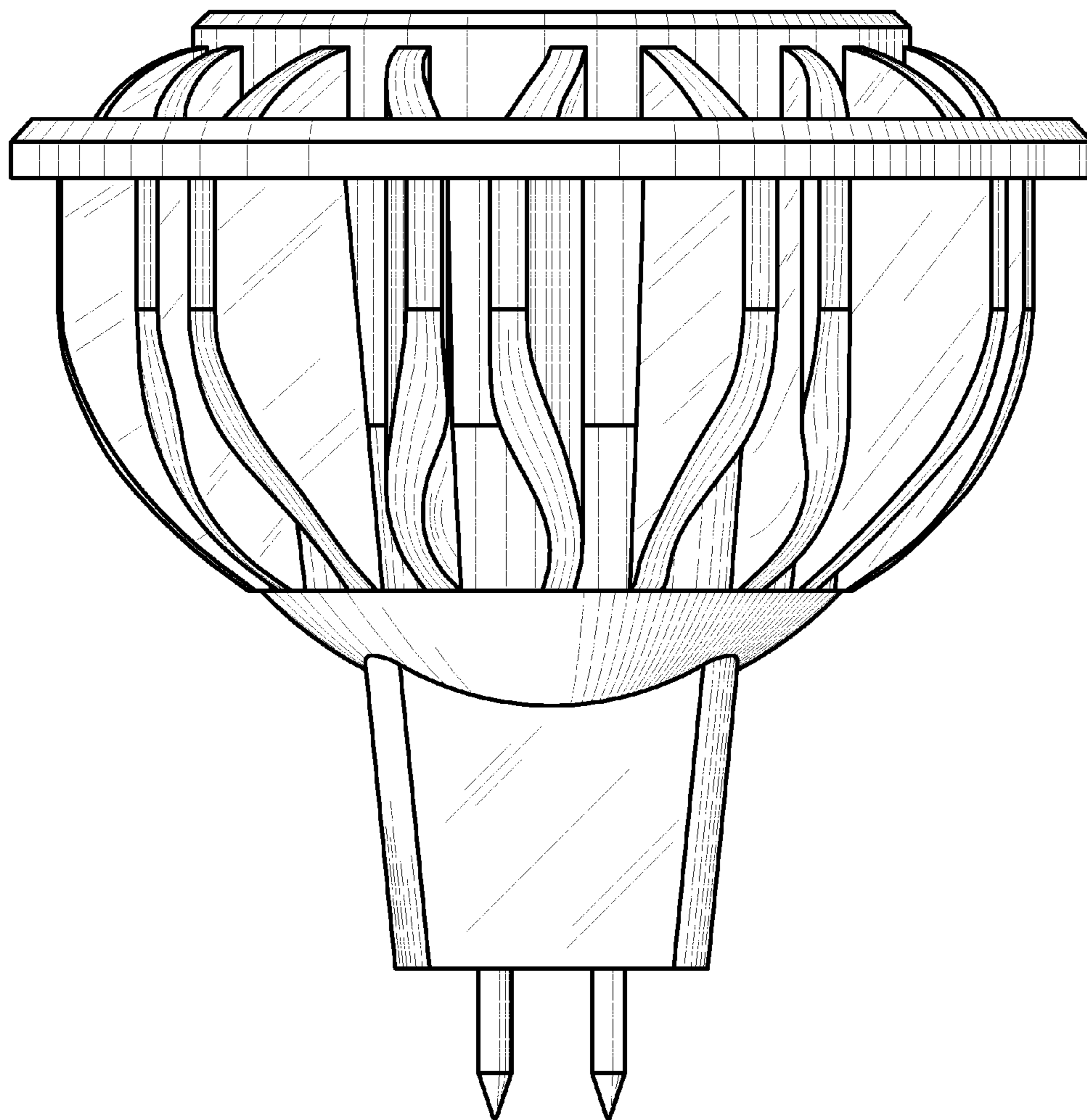


FIG 7

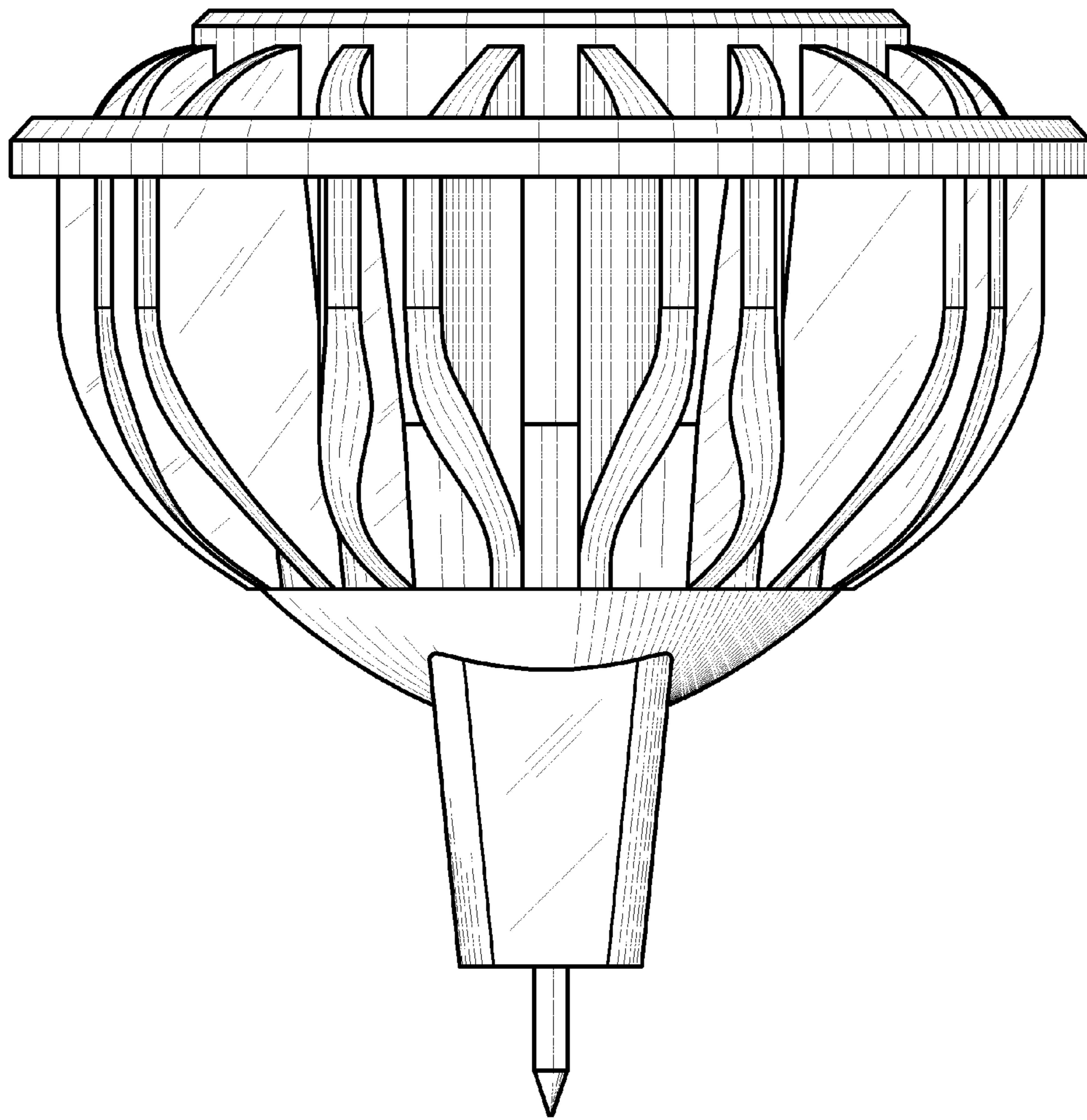


FIG 8

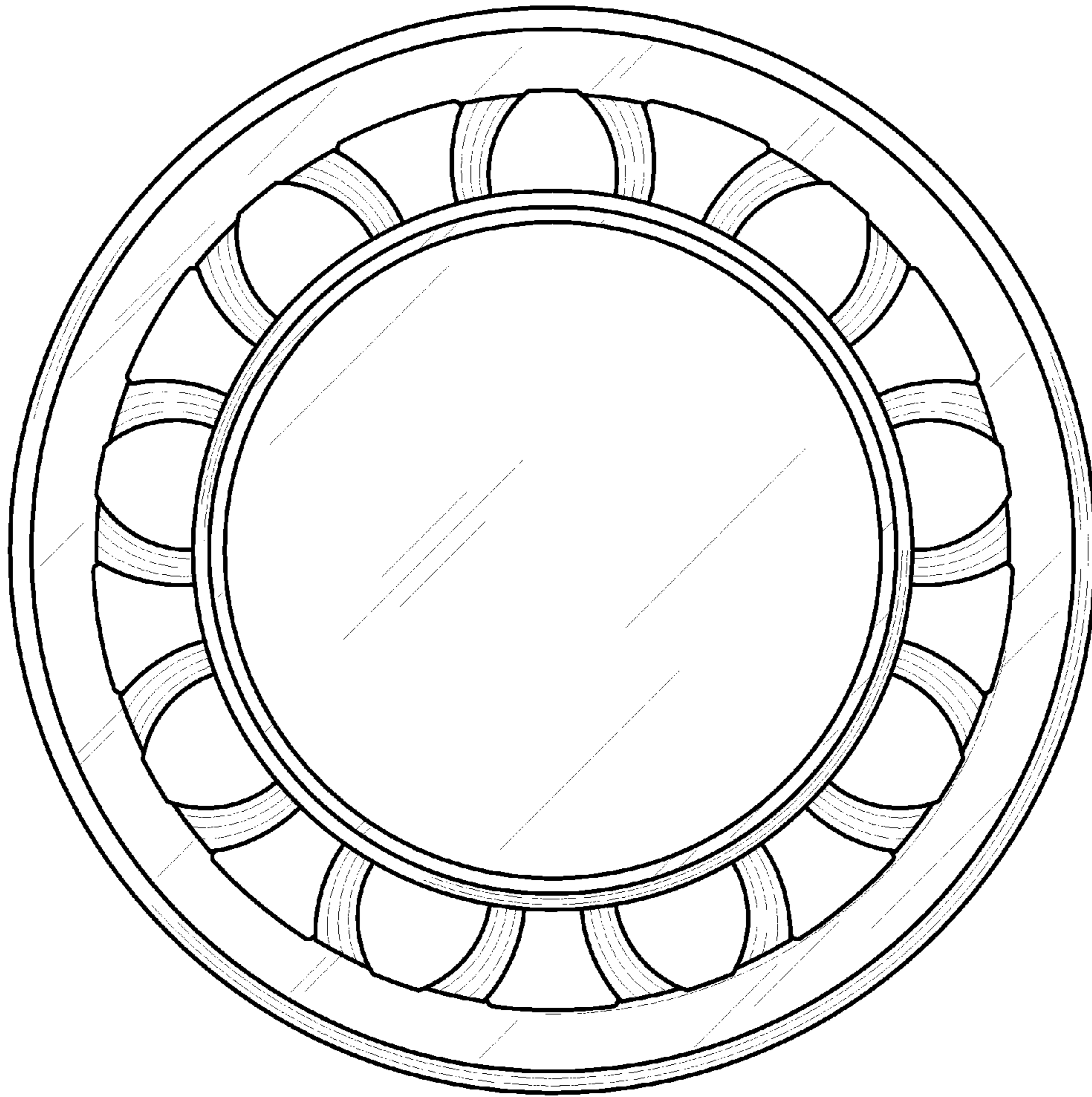


FIG 9

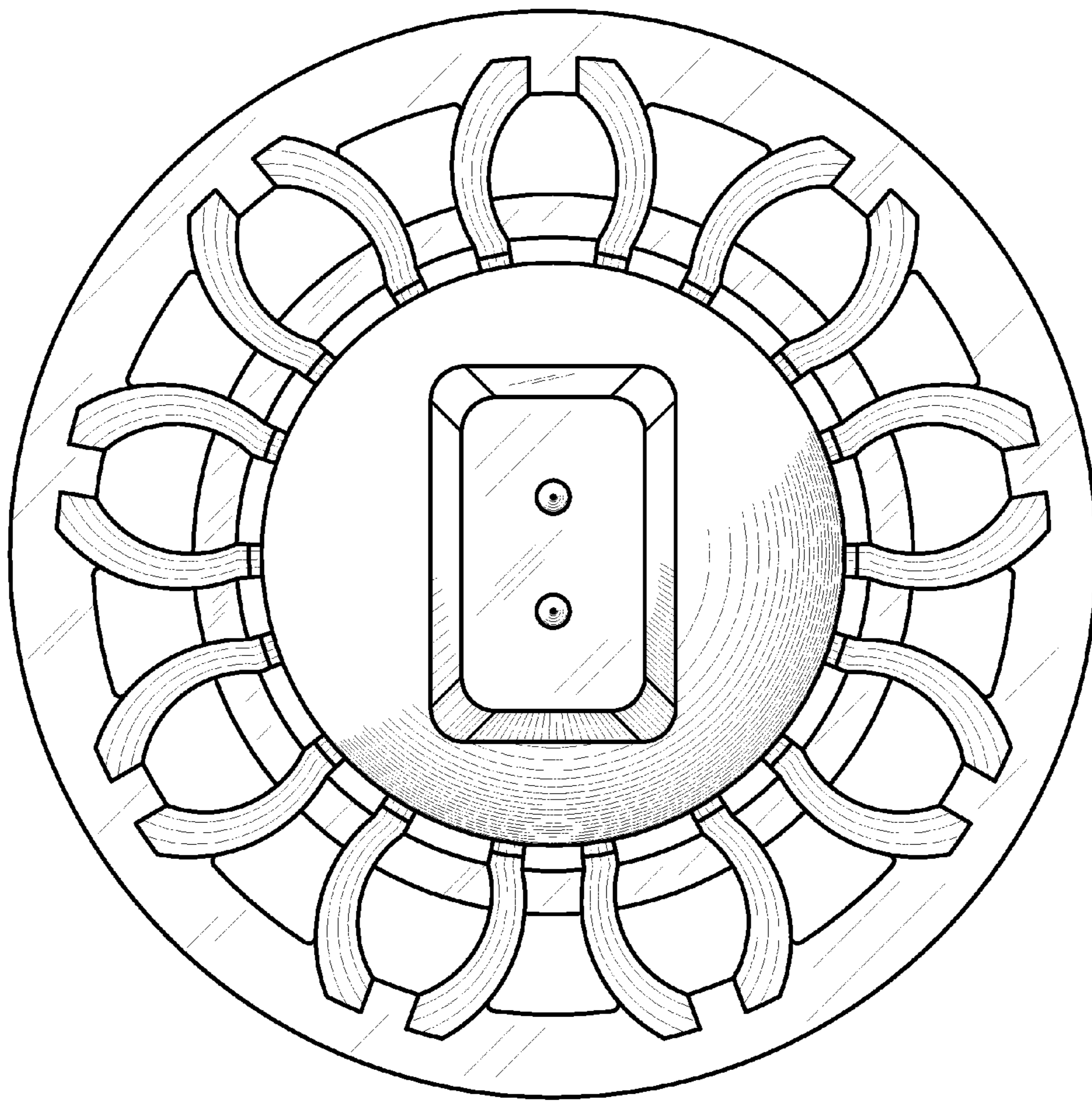


FIG 10