



US00D736964S

(12) **United States Design Patent**
Sasaoka et al.

(10) **Patent No.:** **US D736,964 S**
(45) **Date of Patent:** **** Aug. 18, 2015**

(54) **LIGHT EMITTING DIODE**

FOREIGN PATENT DOCUMENTS

- (71) Applicant: **Nichia Corporation**, Anan-shi,
Tokushima (JP)
- (72) Inventors: **Shimpei Sasaoka**, Tokushima (JP);
Hironobu Takahashi, Tokushima-ken
(JP)
- (73) Assignee: **Nichia Corporation** (JP)
- (**) Term: **14 Years**
- (21) Appl. No.: **29/475,261**
- (22) Filed: **Dec. 2, 2013**

DE	402008002583	7/2008
EM	001194260-001	3/2010

Primary Examiner — Marcus Jackson
(74) *Attorney, Agent, or Firm* — Saidman DesignLaw Group, LLC

(57) **CLAIM**
The ornamental design for a light emitting diode, as shown and described.

DESCRIPTION

FIG. 1 is a front, bottom, left side perspective view of a light emitting diode showing our new design;
 FIG. 2 is a rear, top, right side perspective view thereof;
 FIG. 3 is a front elevational view thereof;
 FIG. 4 is a rear elevational view thereof;
 FIG. 5 is a top plan view thereof;
 FIG. 6 is a bottom plan view thereof;
 FIG. 7 is a left side elevational view thereof;
 FIG. 8 is a right side elevational view thereof;
 FIG. 9 is a front, bottom, left side perspective view of a second embodiment thereof;
 FIG. 10 is a rear, top, right side perspective view thereof;
 FIG. 11 is a front elevational view thereof;
 FIG. 12 is a rear elevational view thereof;
 FIG. 13 is a top plan view thereof;
 FIG. 14 is a bottom plan view thereof;
 FIG. 15 is a left side elevational view thereof;
 FIG. 16 is a right side elevational view thereof;
 FIG. 17 is a front, bottom, left side perspective view of a third embodiment thereof;
 FIG. 18 is a rear, top, right side perspective view thereof;
 FIG. 19 is a front elevational view thereof;
 FIG. 20 is a rear elevational view thereof;
 FIG. 21 is a top plan view thereof;
 FIG. 22 is a bottom plan view thereof;
 FIG. 23 is a left side elevational view thereof; and
 FIG. 24 is a right side elevational view thereof.
 The dashed broken lines illustrate unclaimed environment, and the dot-dash broken lines represent unclaimed boundaries; the broken lines form no part of the claimed design.

Related U.S. Application Data

- (62) Division of application No. 29/424,444, filed on Jun. 12, 2012, now Pat. No. Des. 698,047, which is a division of application No. 29/361,546, filed on May 12, 2010, now Pat. No. Des. 664,103.

Foreign Application Priority Data

- (30) Nov. 13, 2009 (JP) 2009-026638
- Nov. 13, 2009 (JP) 2009-026639
- Nov. 13, 2009 (JP) 2009-026640
- May 7, 2010 (JP) 2010-011138
- May 7, 2010 (JP) 2010-011139

(51) **LOC (10) Cl.** **26-04**

(52) **U.S. Cl.**
USPC **D26/1; D13/180**

(58) **Field of Classification Search**
USPC D26/1-4; D13/180; 257/79-81, 88-89,
257/95, 98-100; 313/83, 498-500
See application file for complete search history.

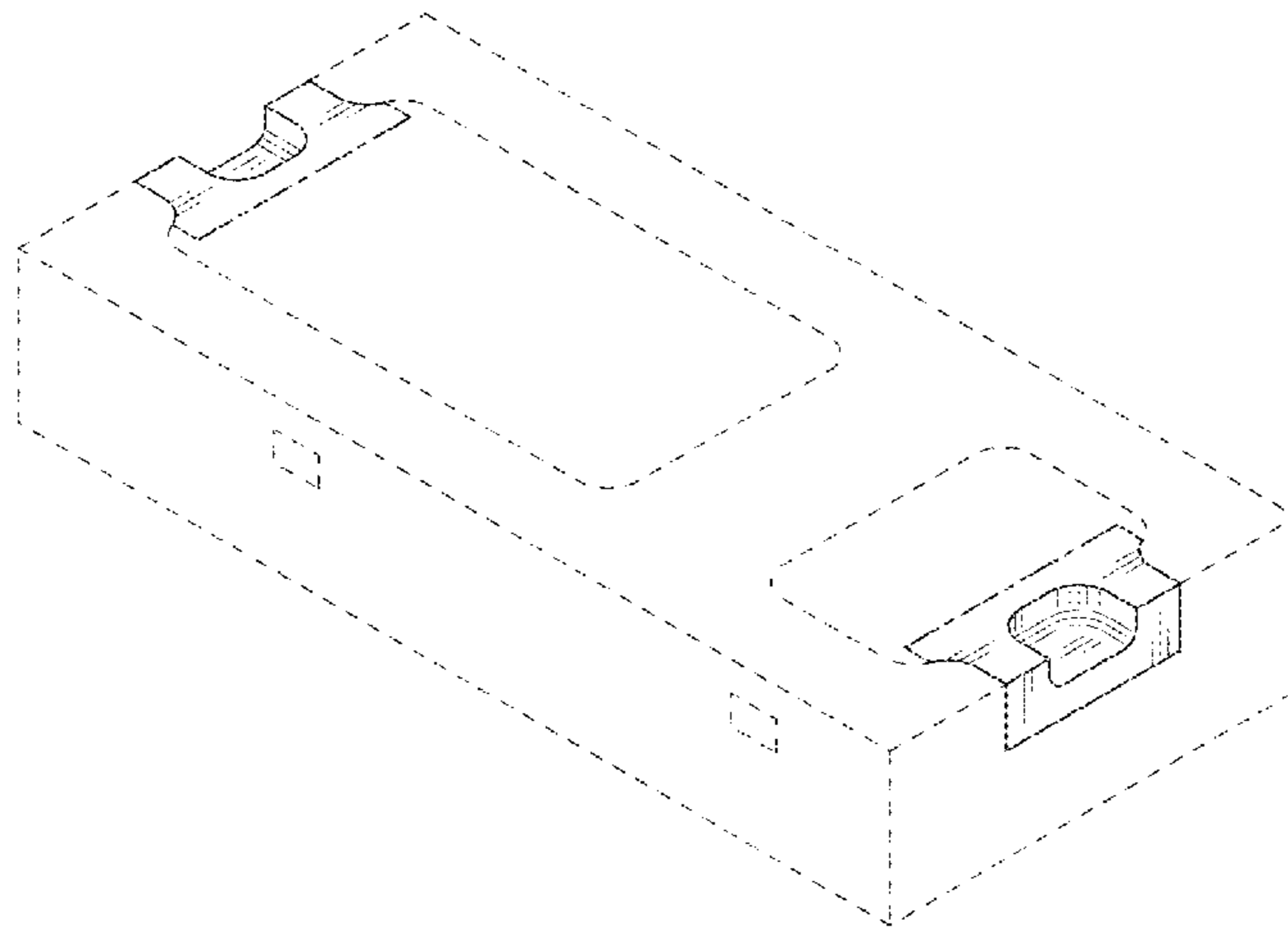
References Cited

U.S. PATENT DOCUMENTS

- D494,550 S * 8/2004 Hoshiba D13/180
- D495,304 S * 8/2004 Kim et al. D13/180

(Continued)

1 Claim, 9 Drawing Sheets



US D736,964 S

Page 2

(56)

References Cited

U.S. PATENT DOCUMENTS

D578,084 S * 10/2008 Kobayakawa D13/180
D578,969 S 10/2008 Kobayakawa

D595,244 S 6/2009 In et al.
D632,658 S * 2/2011 Lin D13/180
D640,993 S * 7/2011 Lin D13/180
D664,103 S * 7/2012 Sasaoka et al. D13/180

* cited by examiner

Fig.1

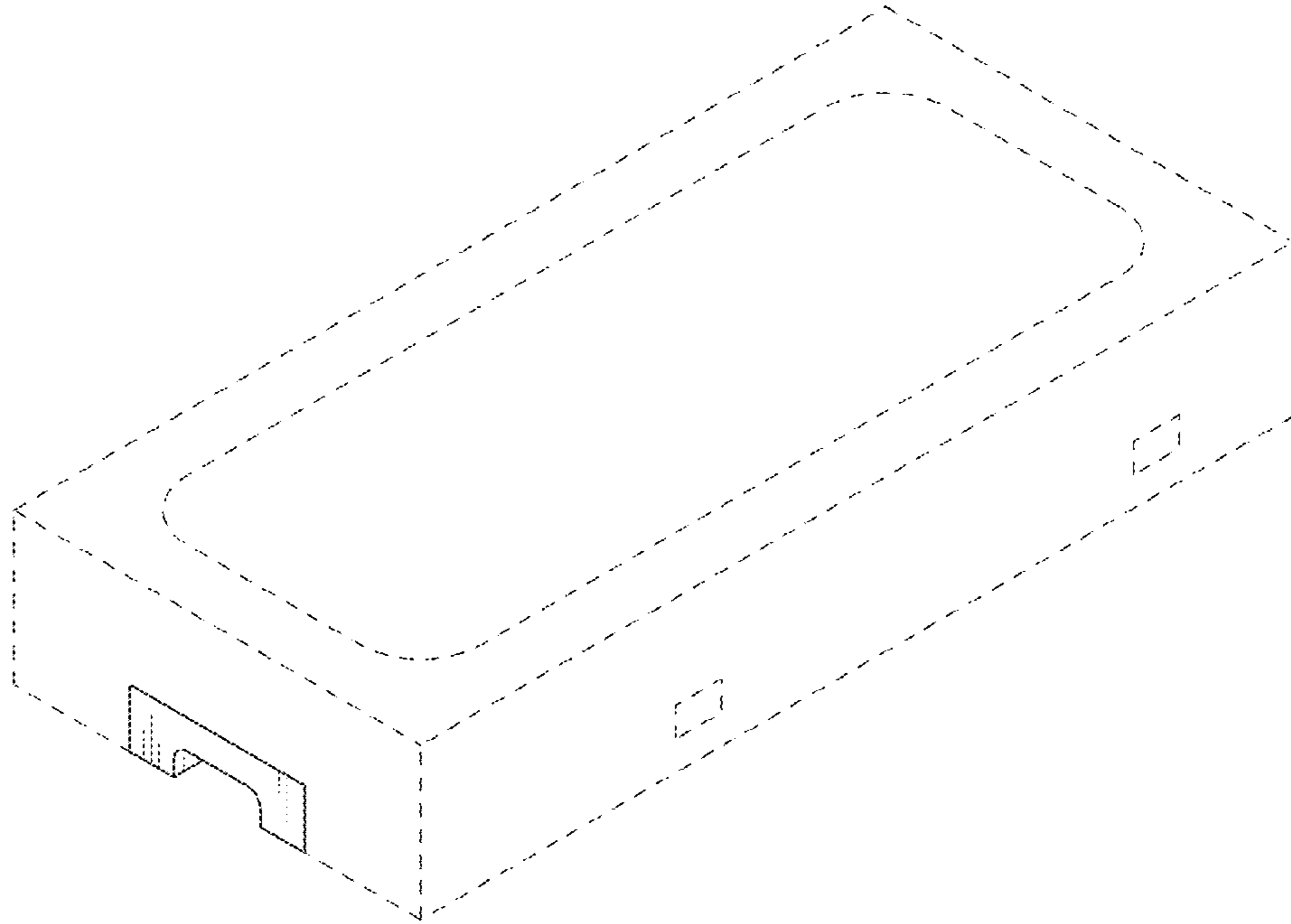


Fig.2

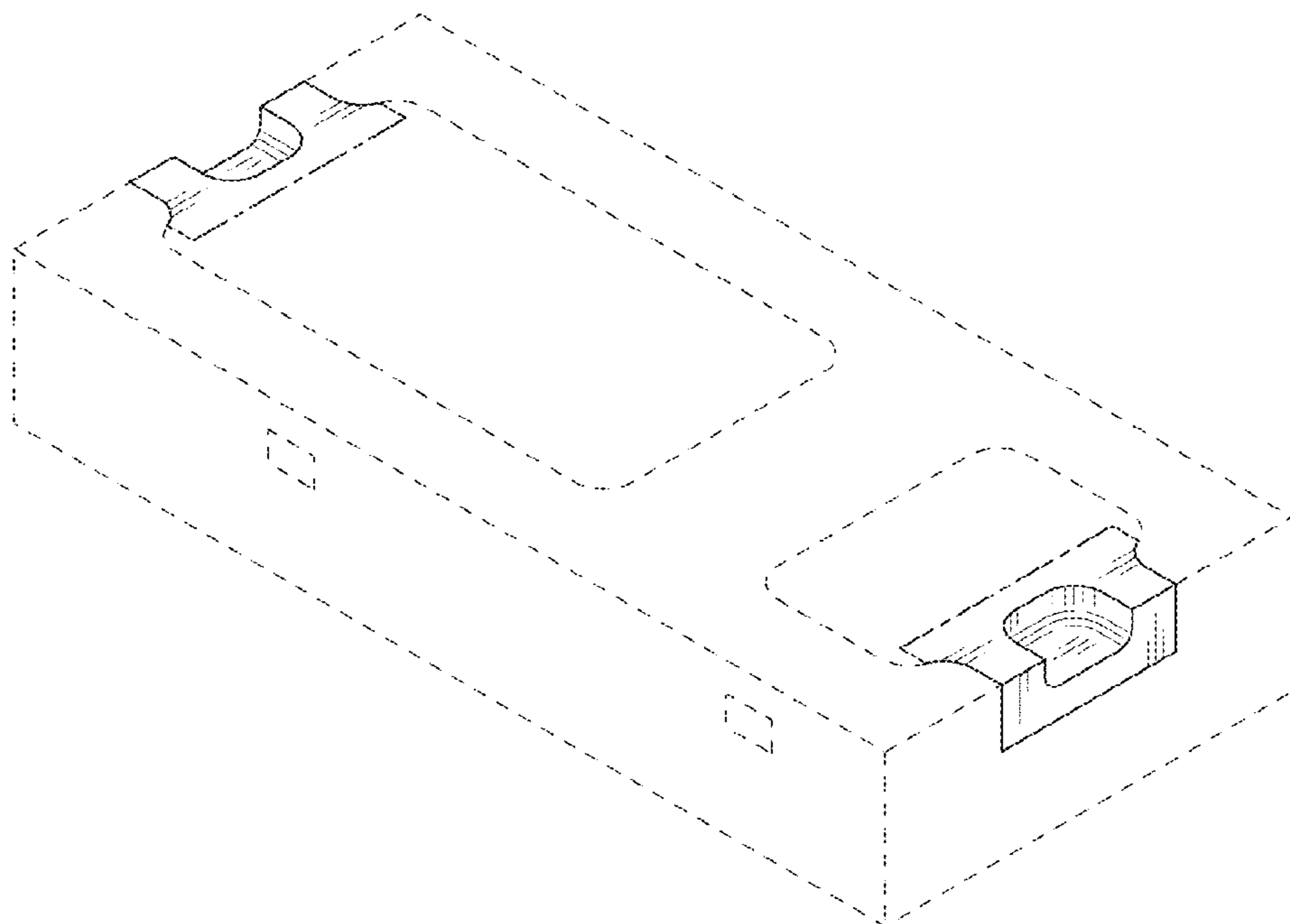


Fig.3

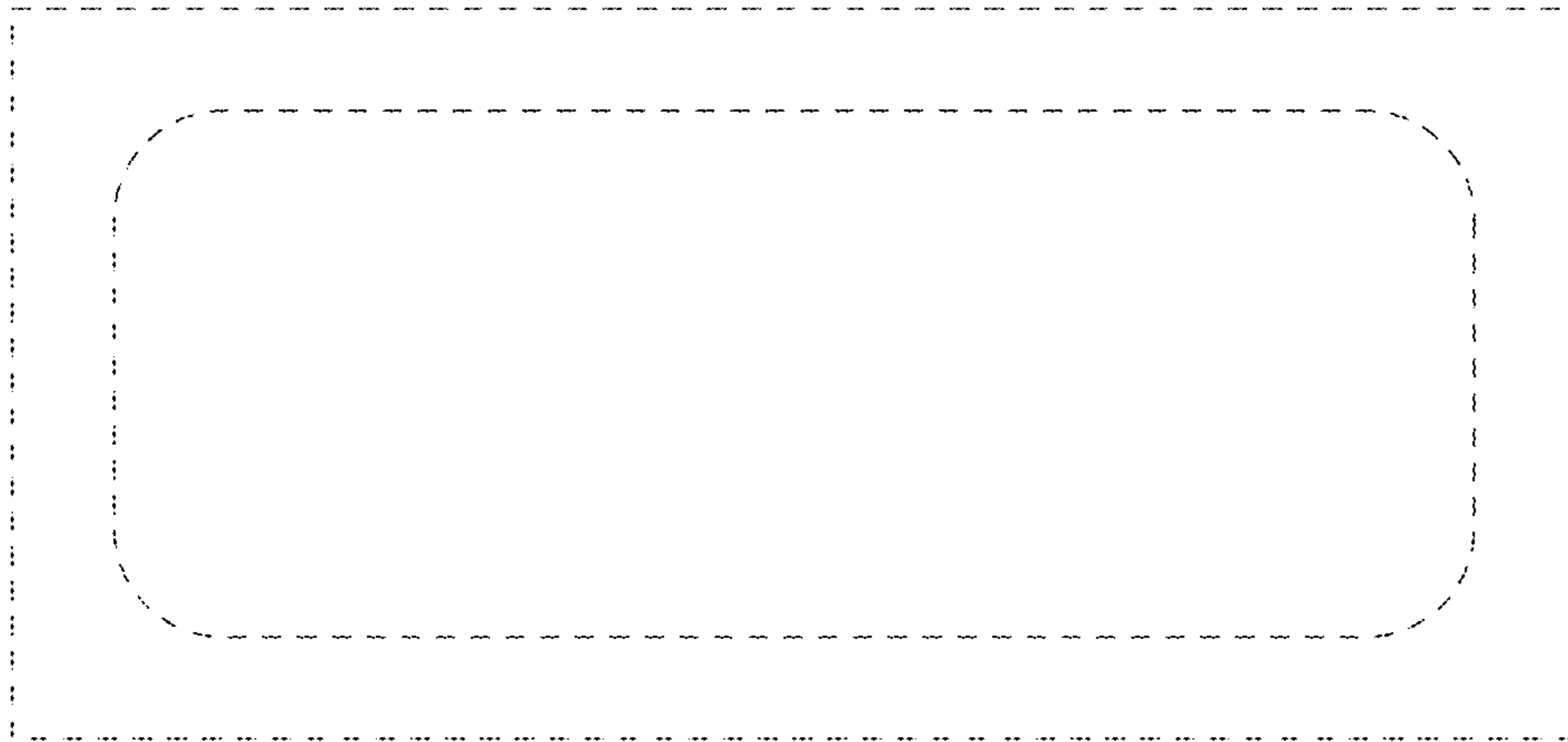


Fig.4

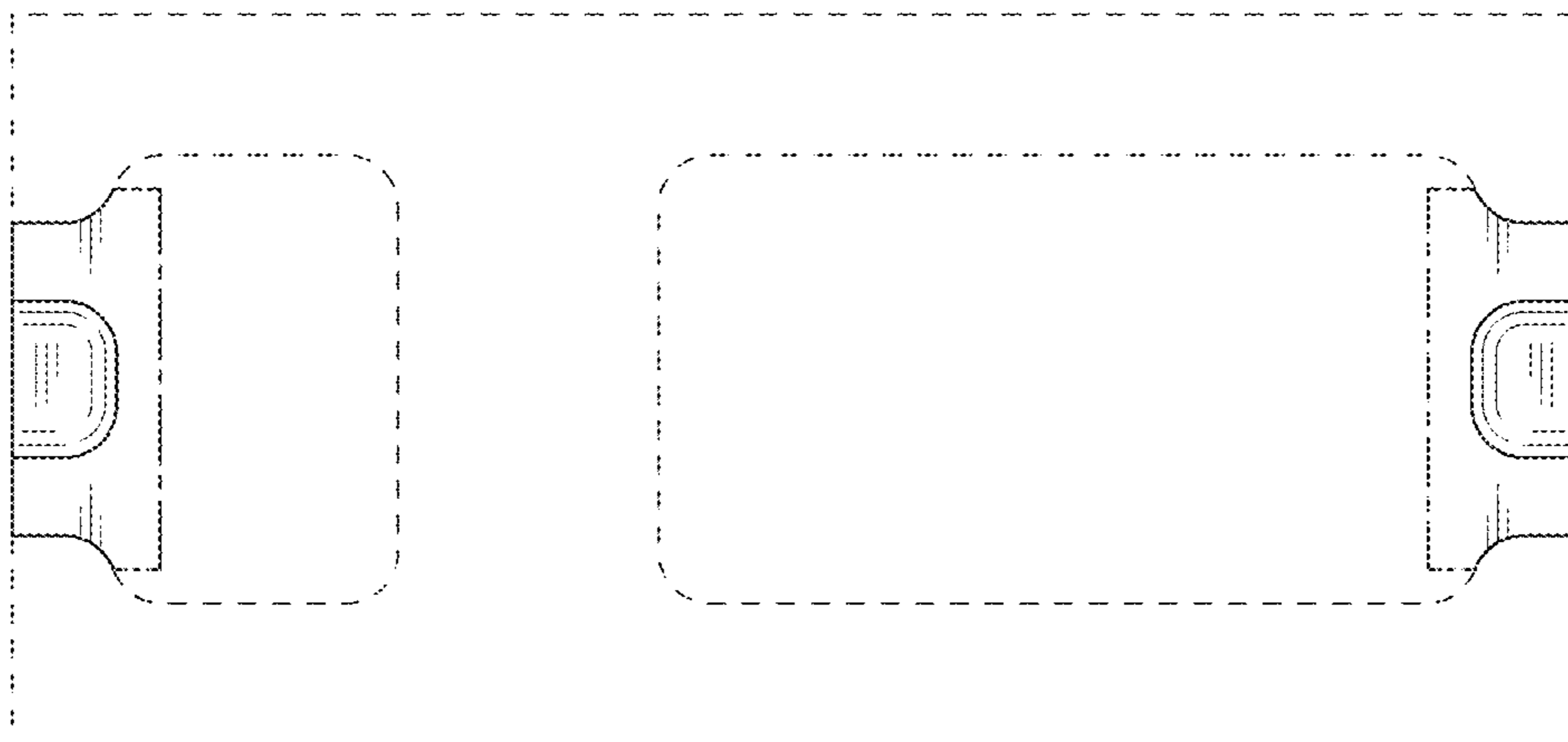


Fig.5



Fig.6



Fig.7

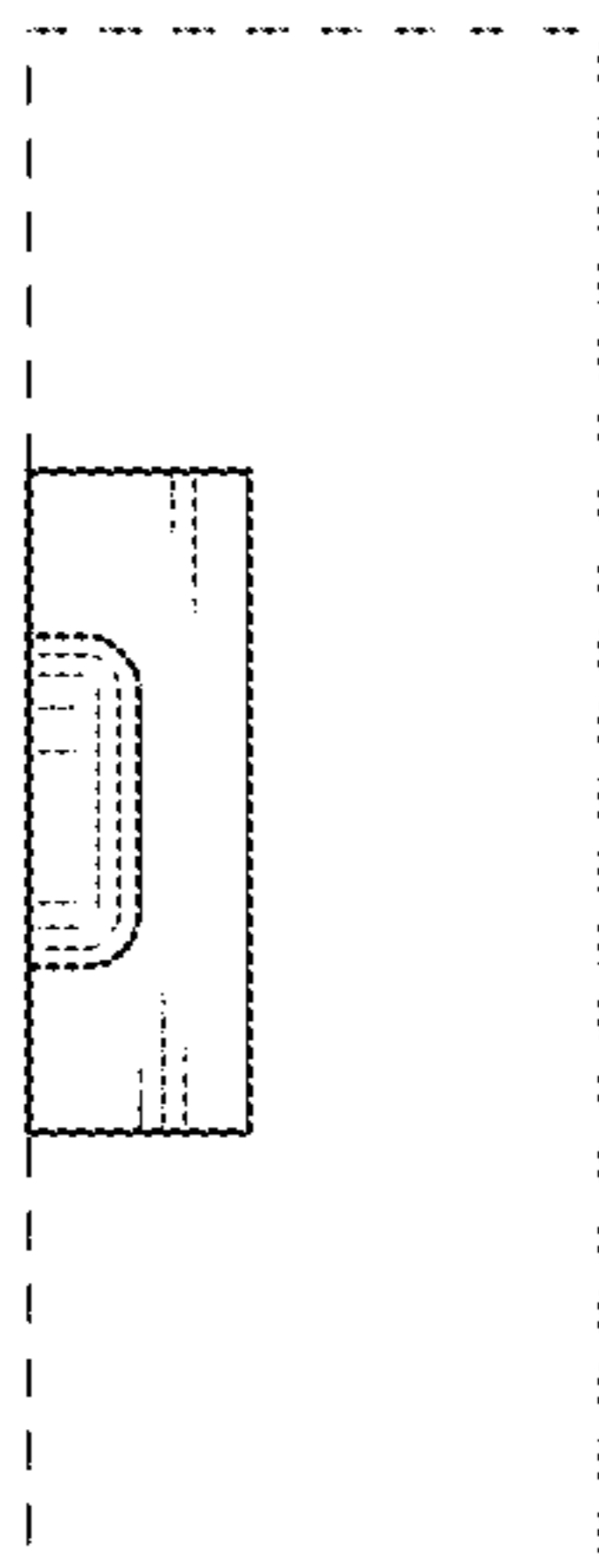


Fig.8



Fig.9

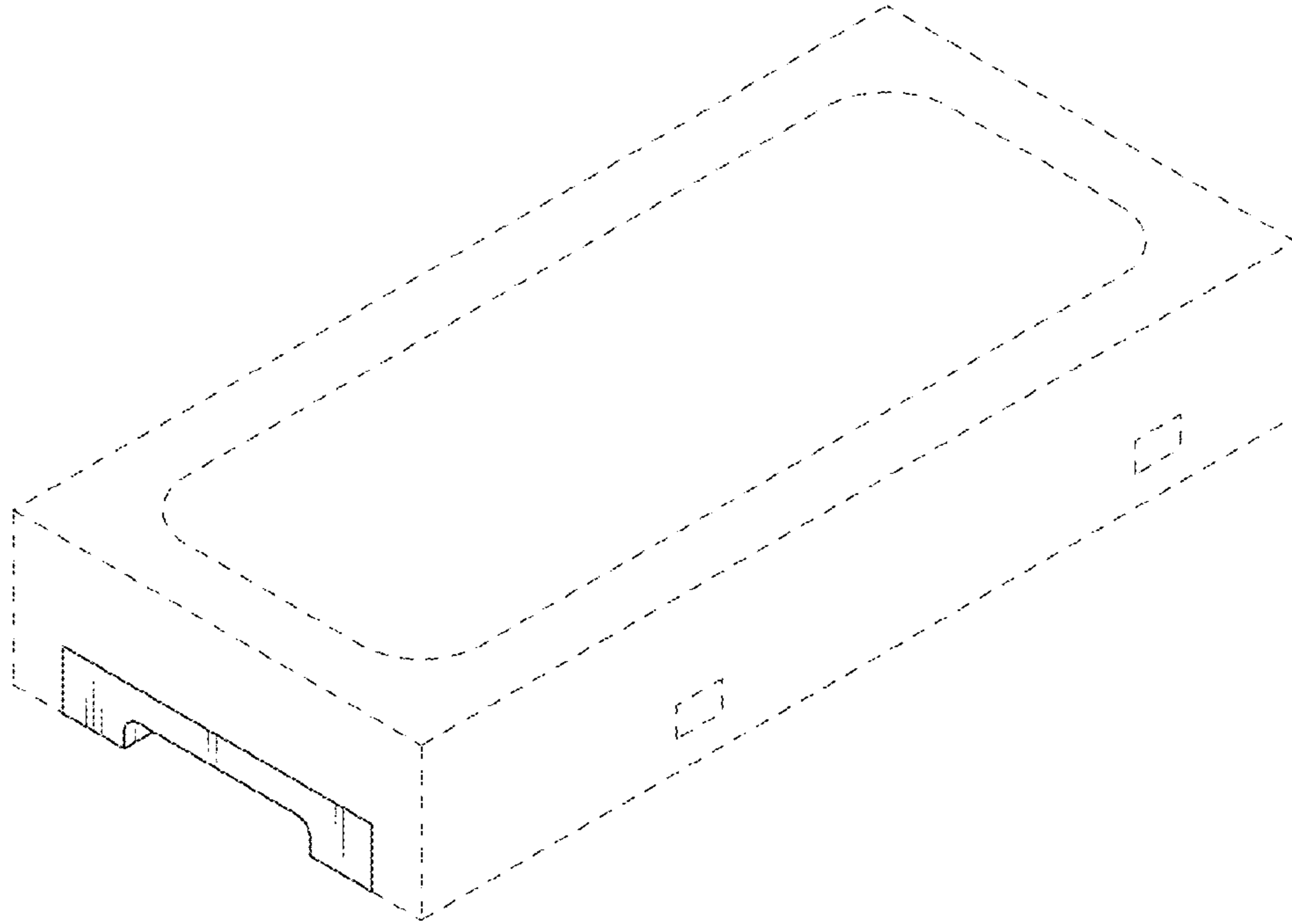


Fig.10

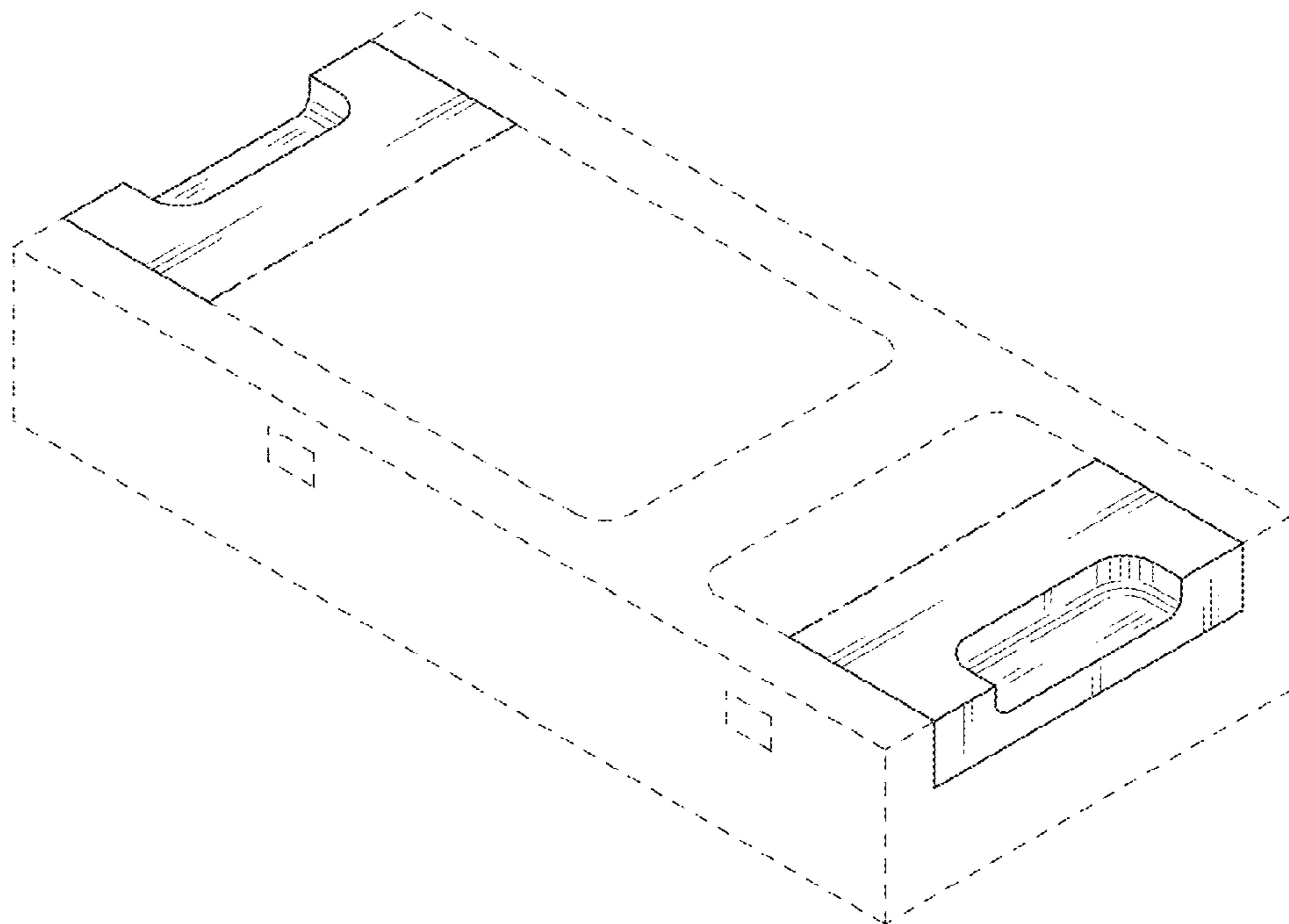


Fig.11

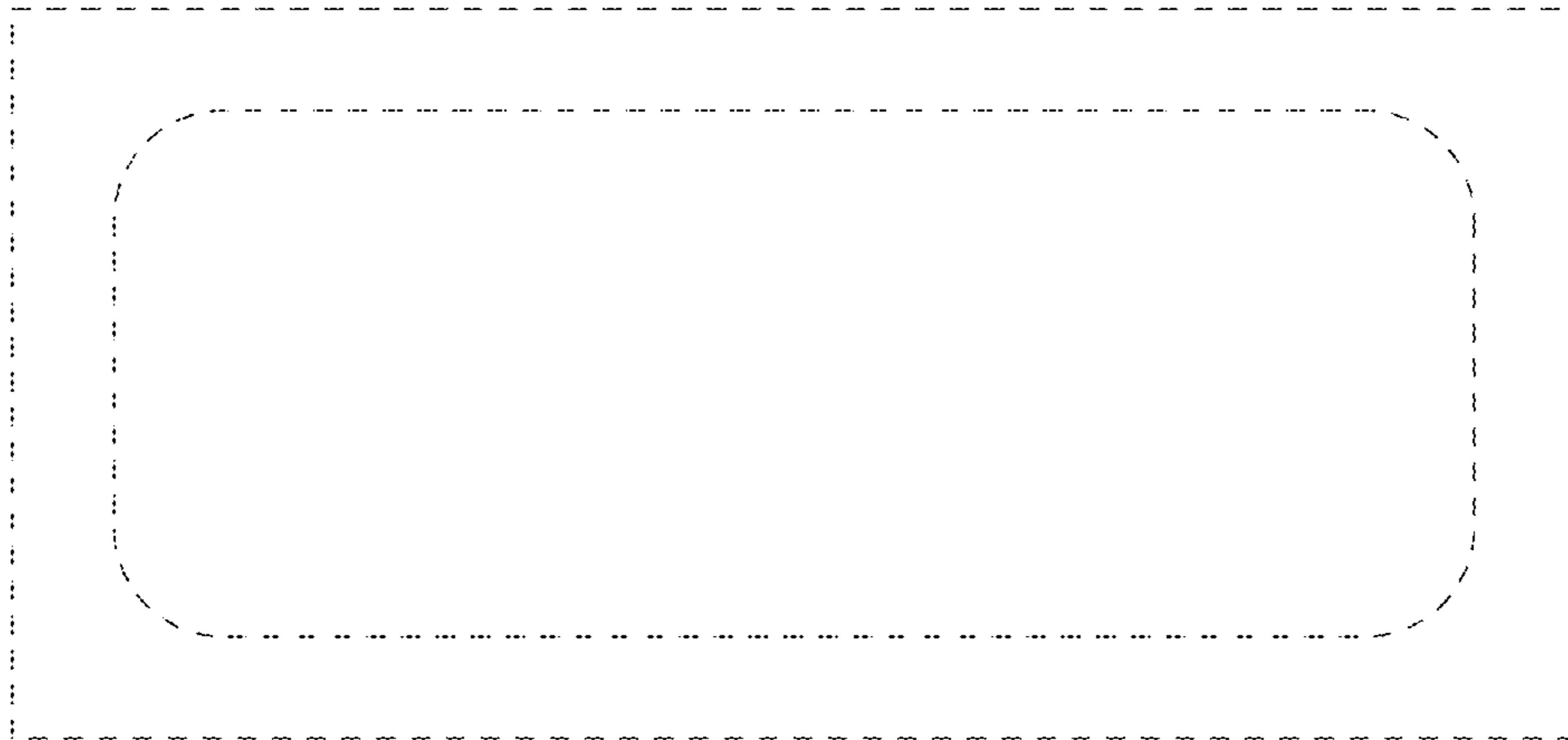


Fig.12

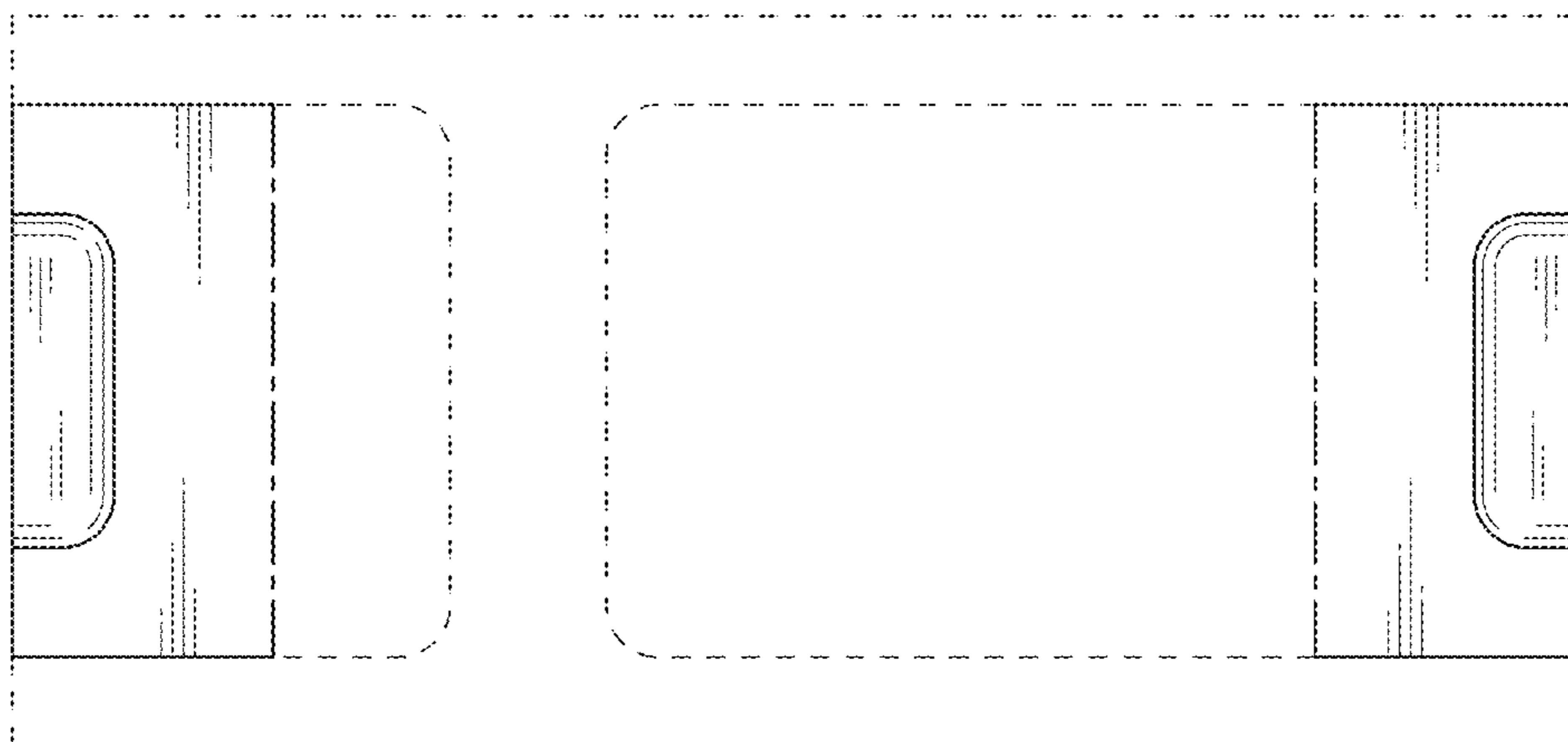


Fig.13



Fig.14

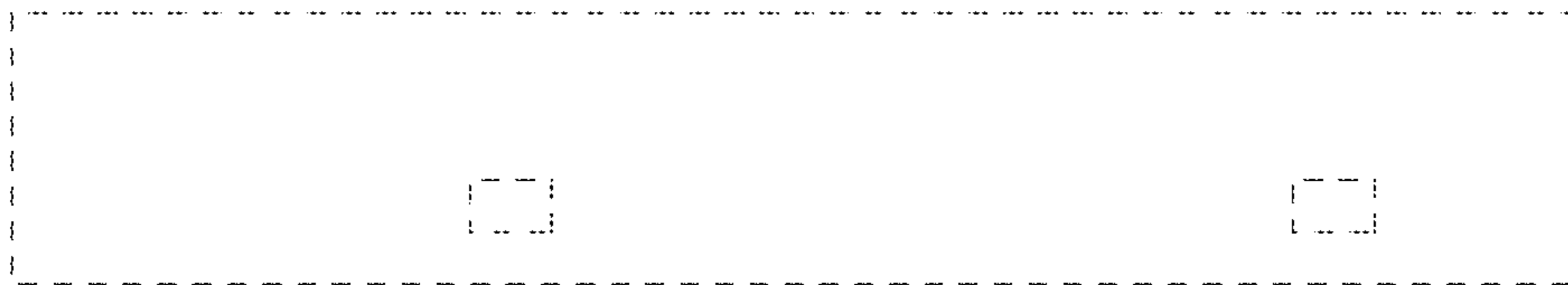


Fig.15

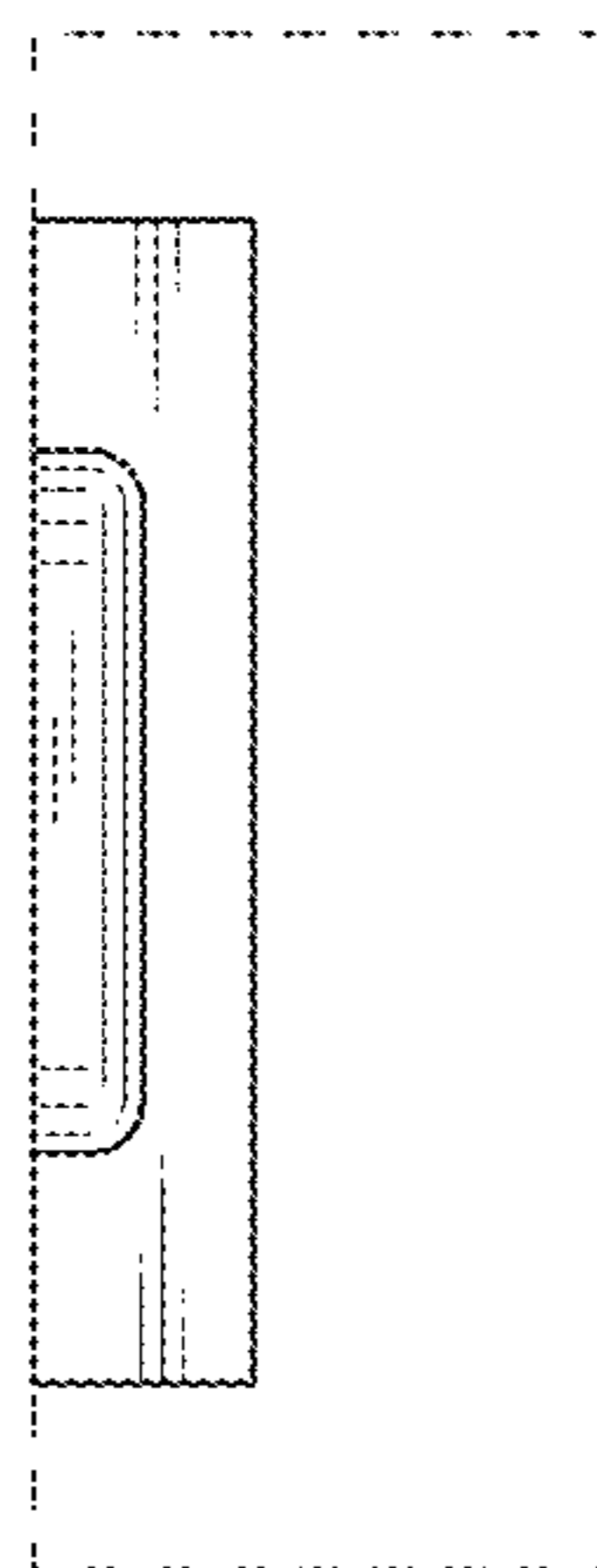


Fig.16

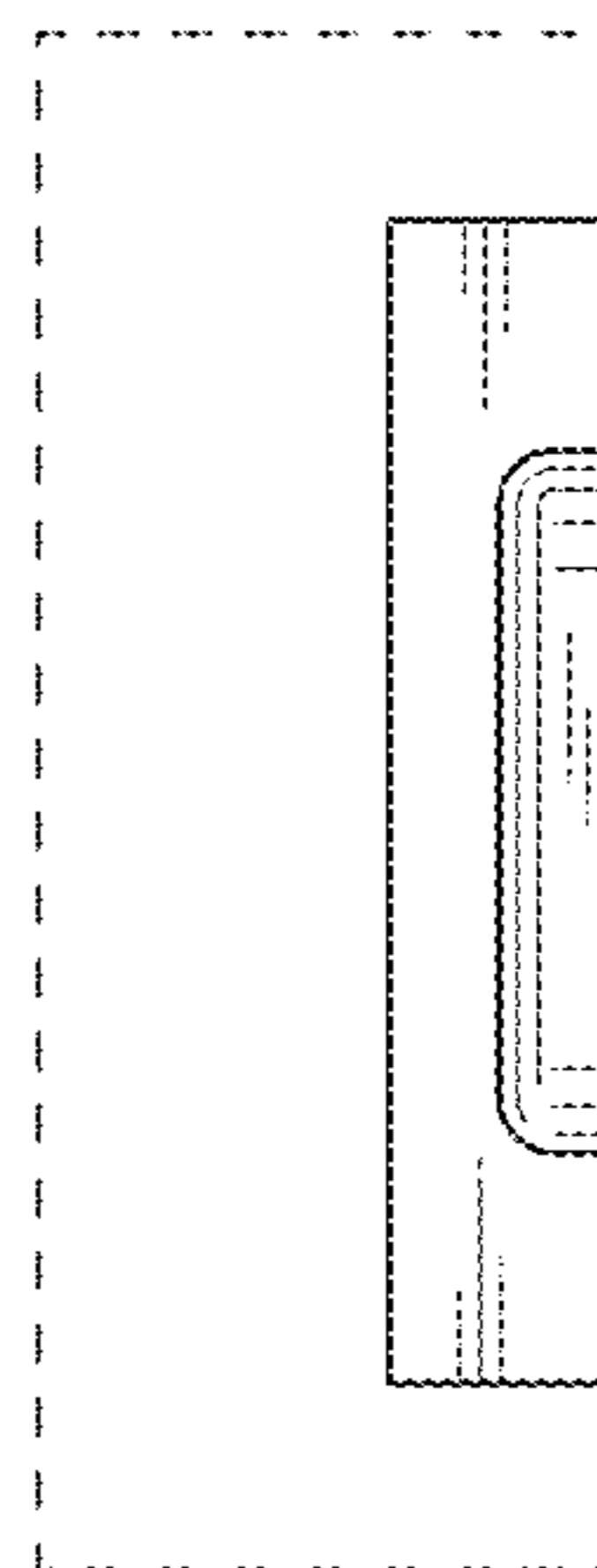


Fig.17

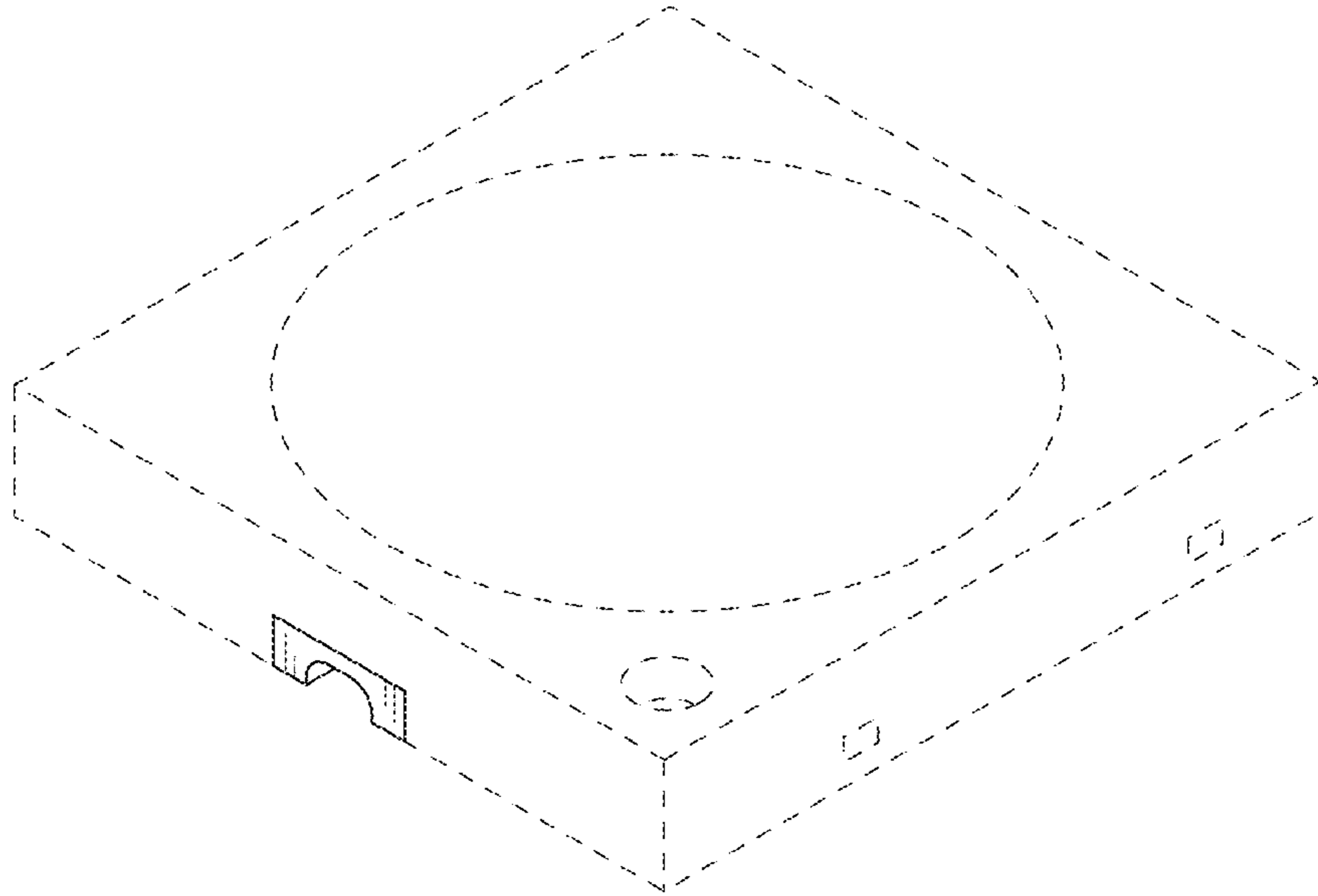


Fig.18

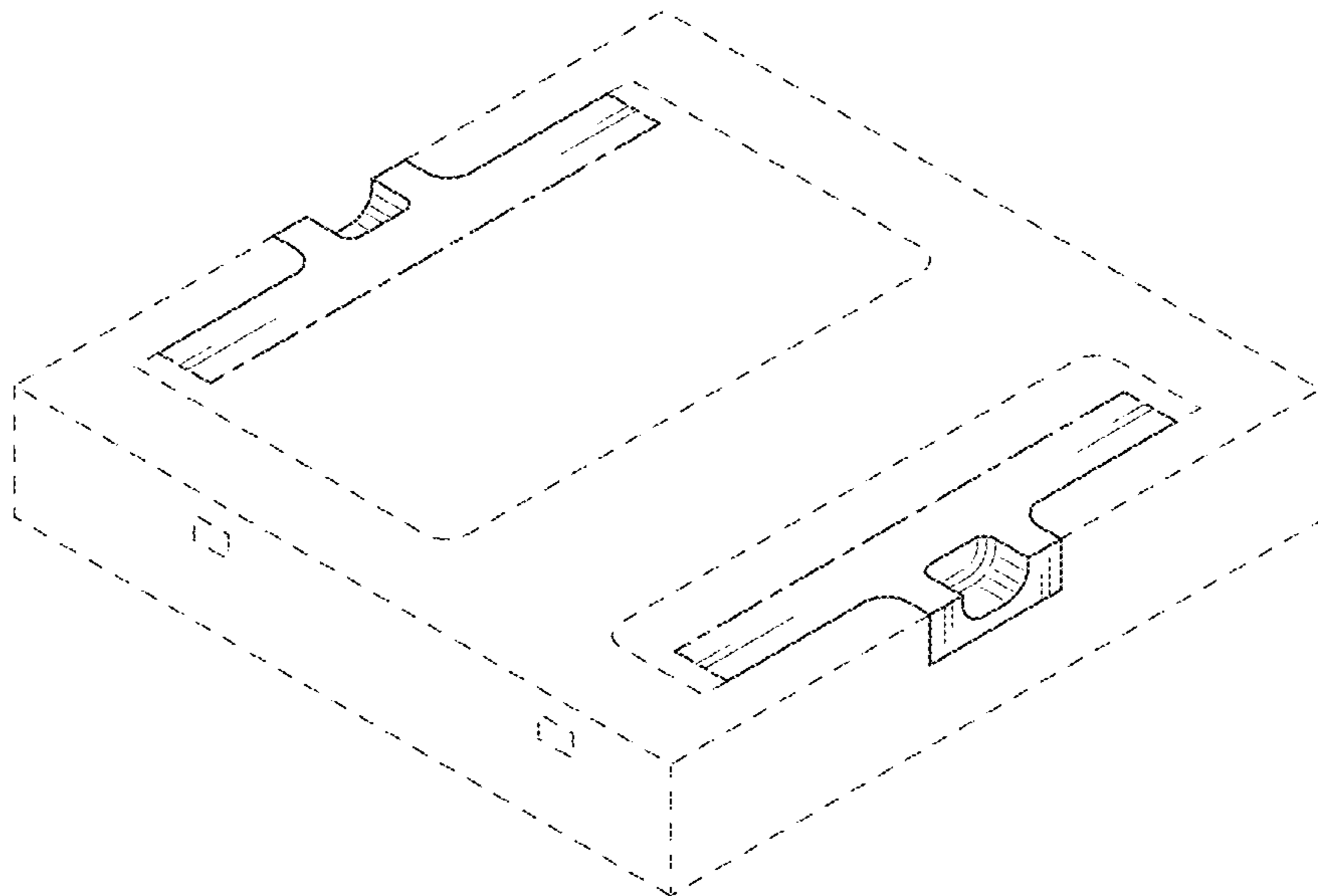


Fig.19

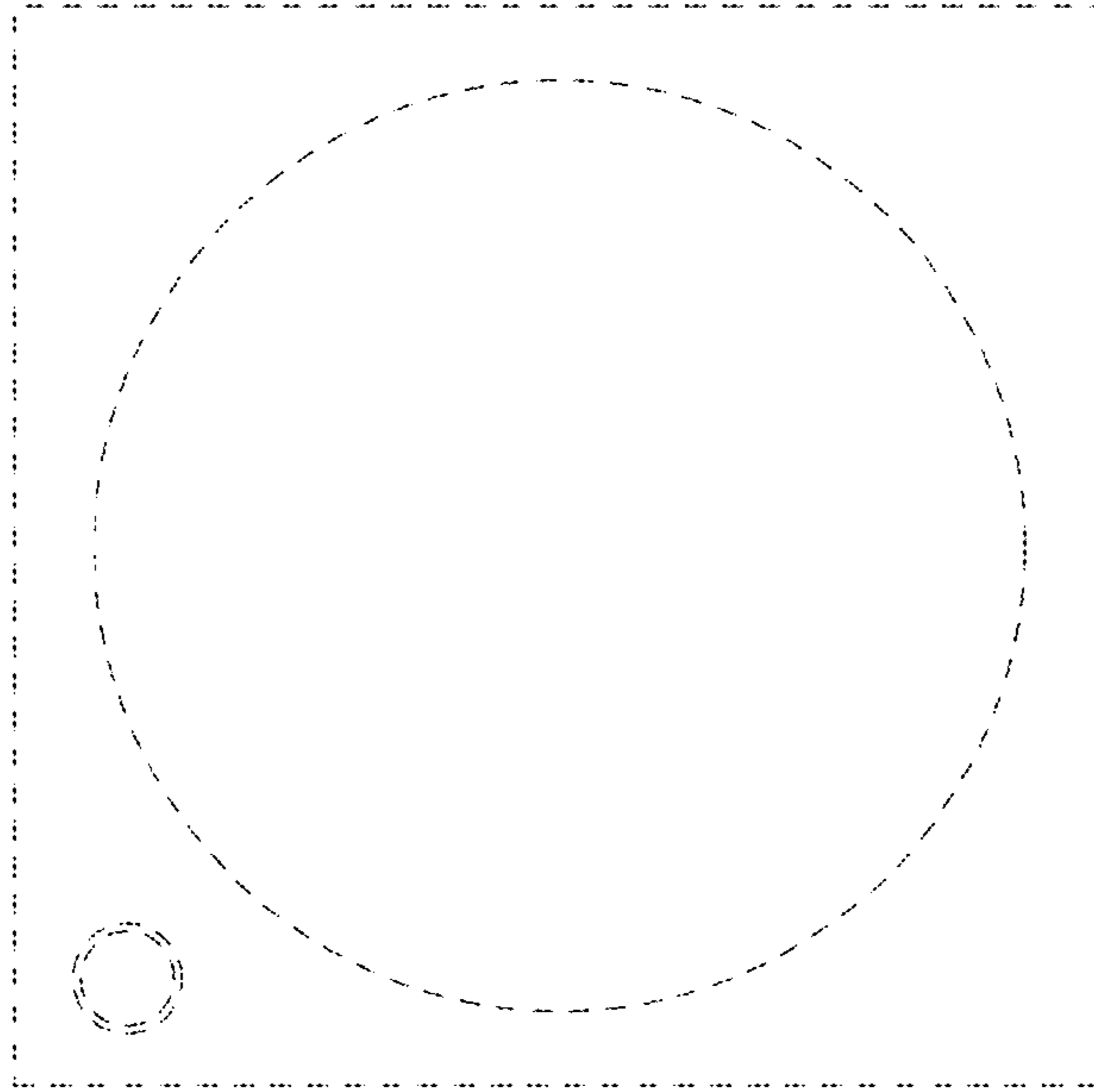


Fig.20

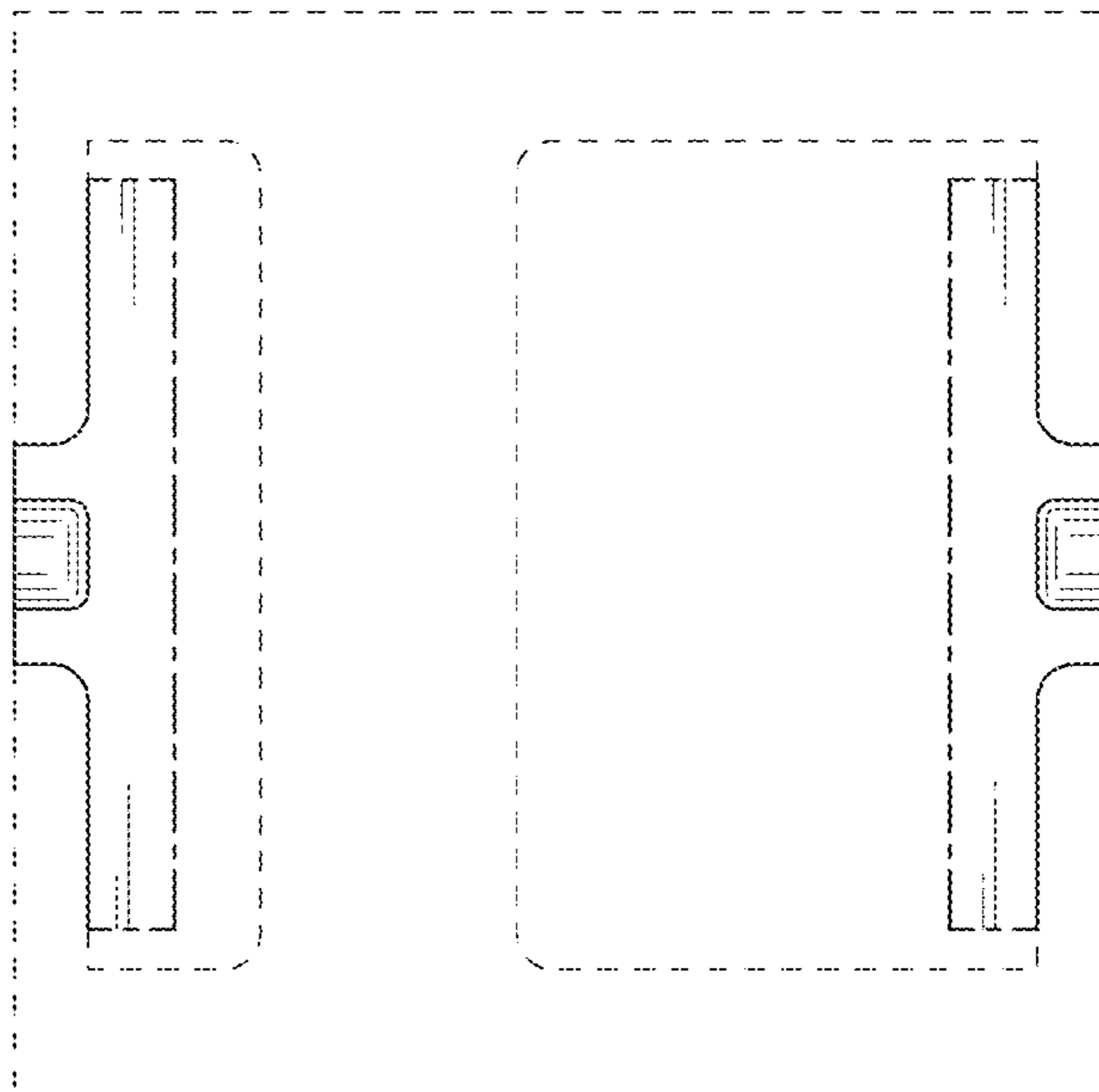


Fig.21



Fig.22



Fig.23

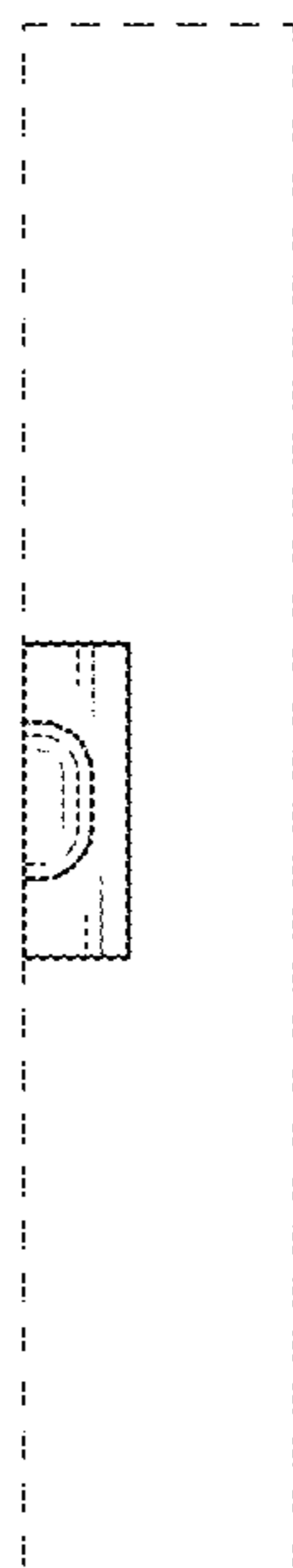


Fig.24

