

US00D736962S

(12) **United States Design Patent**
Bodwell et al.

(10) **Patent No.:** **US D736,962 S**

(45) **Date of Patent:** **** *Aug. 18, 2015**

(54) **WALL PANEL**

(71) Applicant: **ASC Profiles LLC**, West Sacramento,
CA (US)

(72) Inventors: **Patrick A. Bodwell**, Auburn, CA (US);
Richard J. King, Sacramento, CA (US)

(73) Assignee: **ASC Profiles LLC**, West Sacramento,
CA (US)

(*) Notice: This patent is subject to a terminal disclaimer.

(**) Term: **14 Years**

(21) Appl. No.: **29/511,205**

(22) Filed: **Dec. 8, 2014**

Related U.S. Application Data

(63) Continuation of application No. 29/504,035, filed on
Oct. 1, 2014, now abandoned.

(51) **LOC (10) Cl.** **25-01**

(52) **U.S. Cl.**
USPC **D25/141**; D25/119

(58) **Field of Classification Search**
USPC D25/141, 119; 52/588.1, 478, 537, 235,
52/309.14, 518, 555, 474
See application file for complete search history.

(56) **References Cited**

U.S. PATENT DOCUMENTS

3,596,420	A *	8/1971	Ducker	52/169.12
D426,321	S	6/2000	Lockwood	
D527,834	S	9/2006	Thimons et al.	
D538,948	S	3/2007	Thimons et al.	
D667,963	S	9/2012	Griffiths	
D668,353	S	10/2012	Griffiths	
D668,354	S	10/2012	Griffiths	
D668,356	S	10/2012	Griffiths	
D668,357	S	10/2012	Griffiths	

D677,401	S	3/2013	Griffiths
D677,402	S	3/2013	Griffiths
D677,403	S	3/2013	Griffiths
D677,404	S	3/2013	Griffiths
D679,834	S	4/2013	Griffiths
D687,976	S	8/2013	Griffiths
D687,977	S	8/2013	Griffiths
D690,442	S	9/2013	Griffiths
D690,838	S	10/2013	Griffiths
D698,046	S	1/2014	Griffiths

(Continued)

Primary Examiner — Doris Clark

(74) *Attorney, Agent, or Firm* — Lathrop & Gage LLP

(57) **CLAIM**

The ornamental design for a wall panel, as shown and described.

DESCRIPTION

FIG. 1 is a perspective view of a wall panel illustrating my new design;

FIG. 2 is a front elevation view thereof;

FIG. 3 is a right side elevation view thereof;

FIG. 4 is a rear elevation view thereof;

FIG. 5 is a top plan view thereof;

FIG. 6 is a bottom plan view thereof;

FIG. 7 is a perspective view of two wall panels interengaged with one another;

FIG. 8 is a perspective view of a second embodiment of our new design;

FIG. 9 is a front elevation view thereof;

FIG. 10 is a right side elevation view thereof;

FIG. 11 is a rear elevation view thereof;

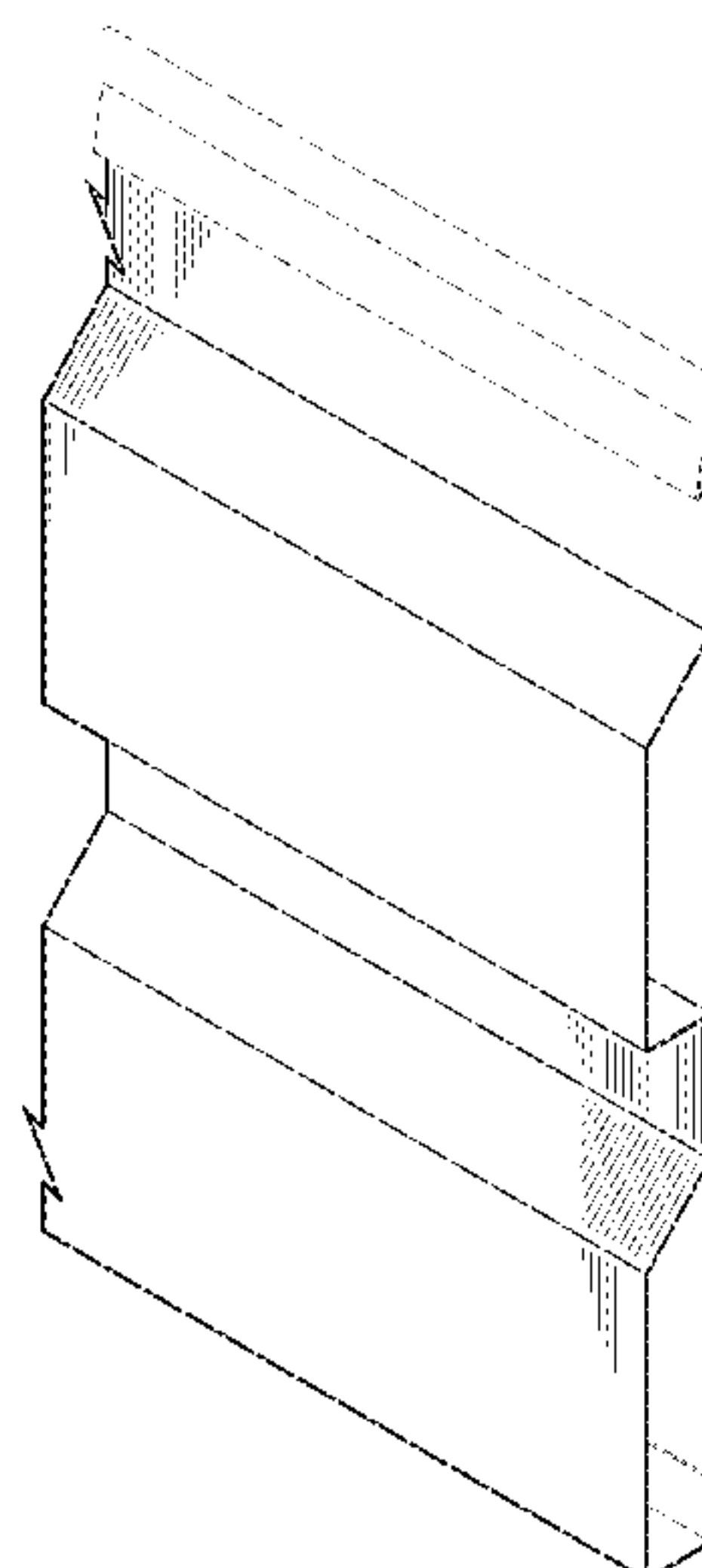
FIG. 12 is a top plan view thereof;

FIG. 13 is a bottom plan view thereof; and,

FIG. 14 is a perspective view of two wall panels interengaged with one another.

The broken lines are for illustrative purposes only and form no part of the claimed design. The claimed design is broken on one side to indicate indefinite length.

1 Claim, 12 Drawing Sheets



(56)

References Cited

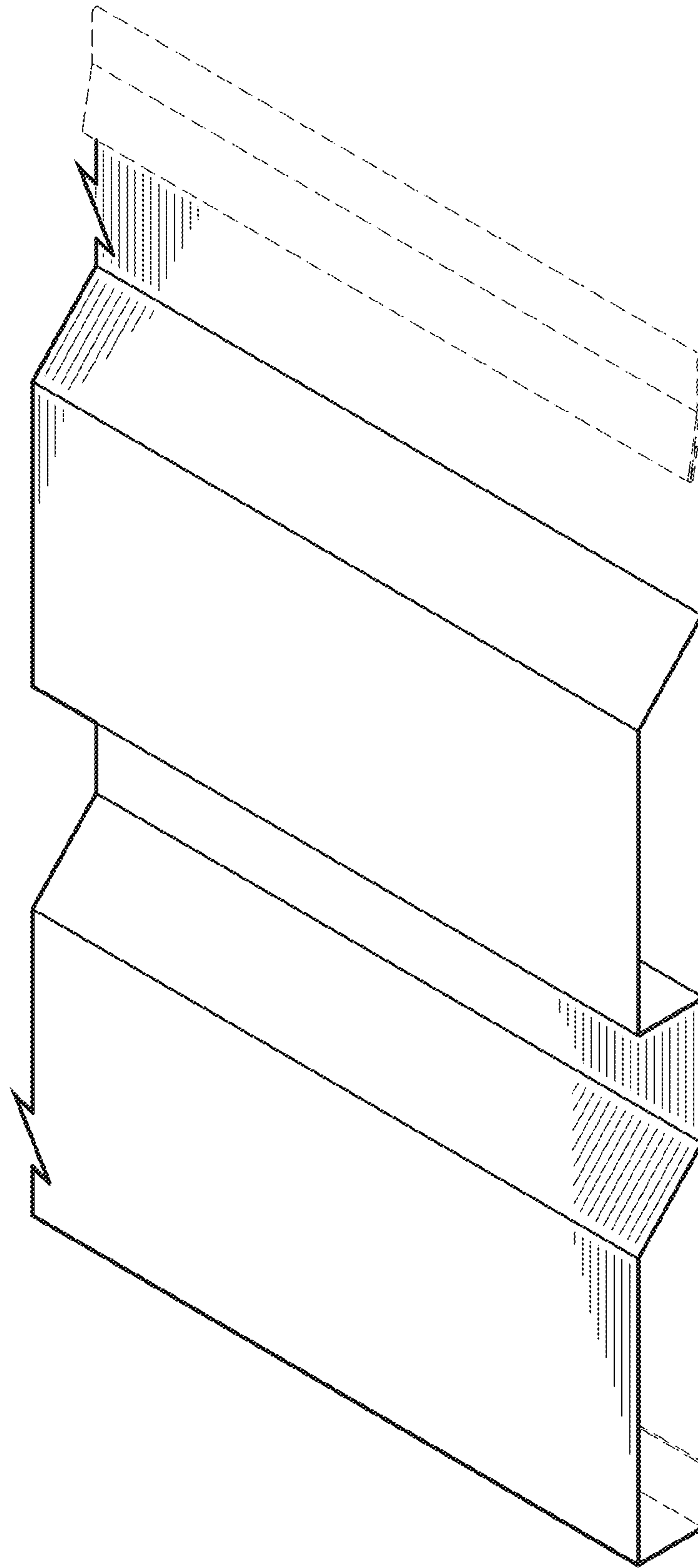
U.S. PATENT DOCUMENTS

D698,944 S 2/2014 Griffiths
D698,946 S 2/2014 Griffiths
D698,947 S 2/2014 Griffiths

D700,364 S 2/2014 Griffiths
D700,365 S 2/2014 Griffiths
D700,366 S 2/2014 Griffiths
D713,978 S 9/2014 Zombek
2004/0003566 A1* 1/2004 Sicuranza 52/518

* cited by examiner

Fig. 1



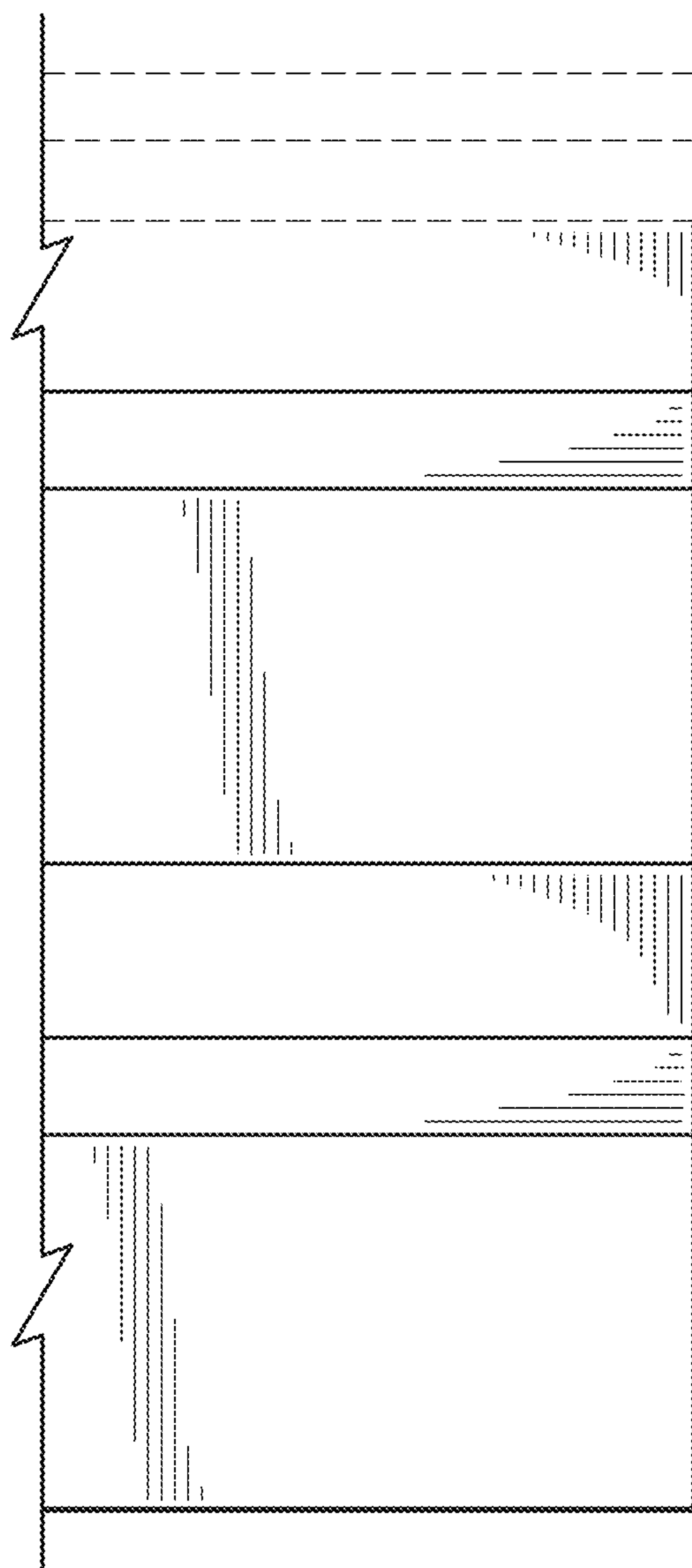


Fig. 2

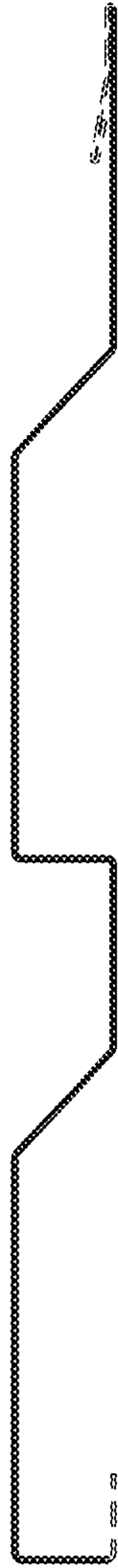


Fig. 3

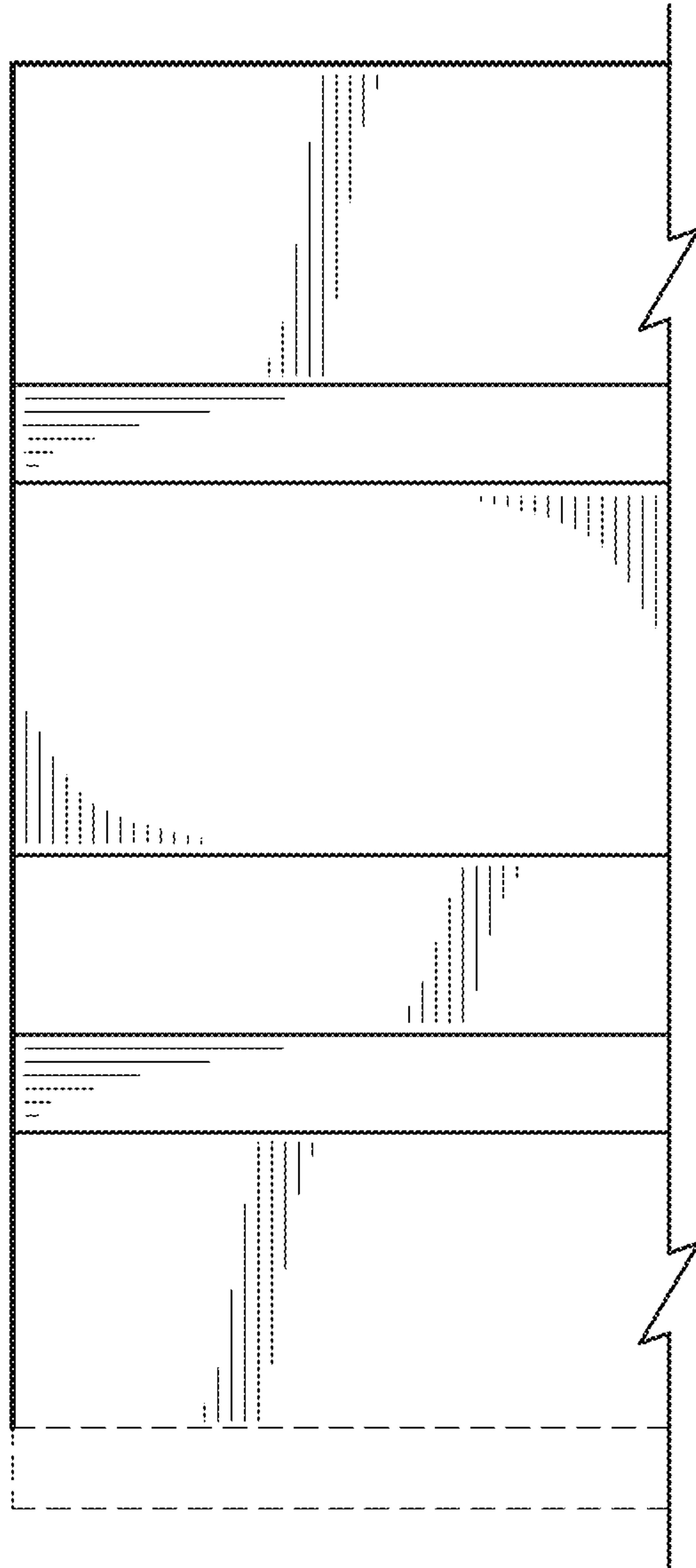


Fig. 4

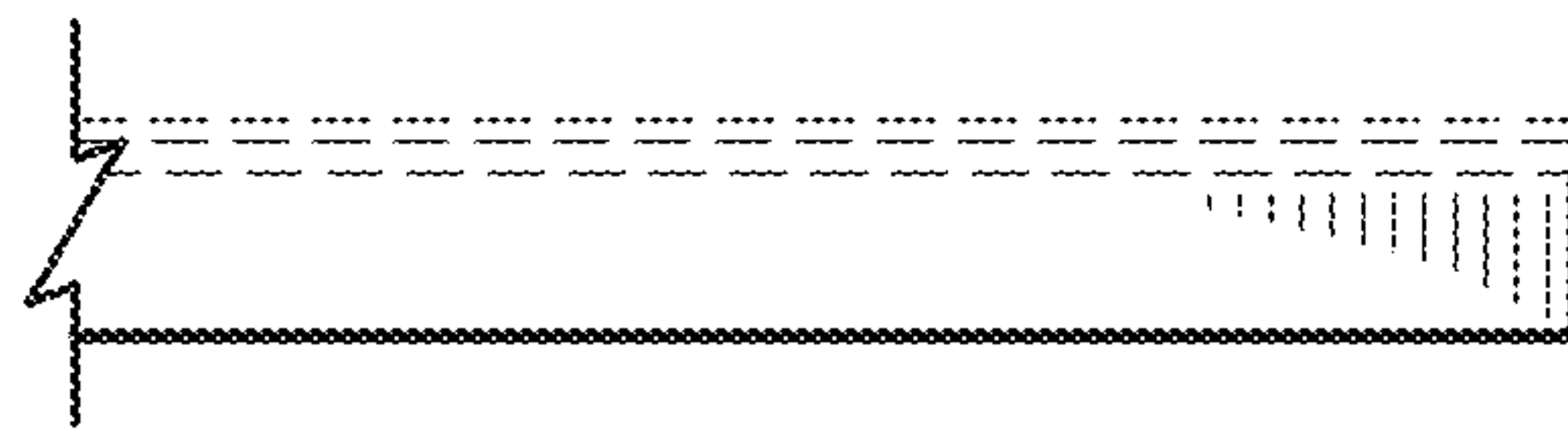


Fig. 5

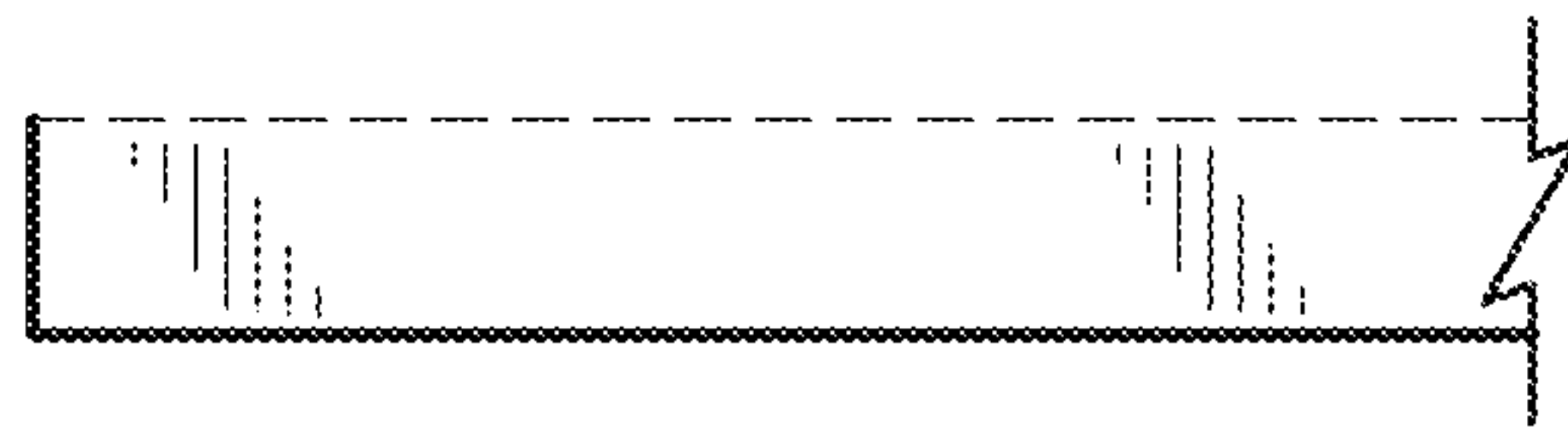


Fig. 6

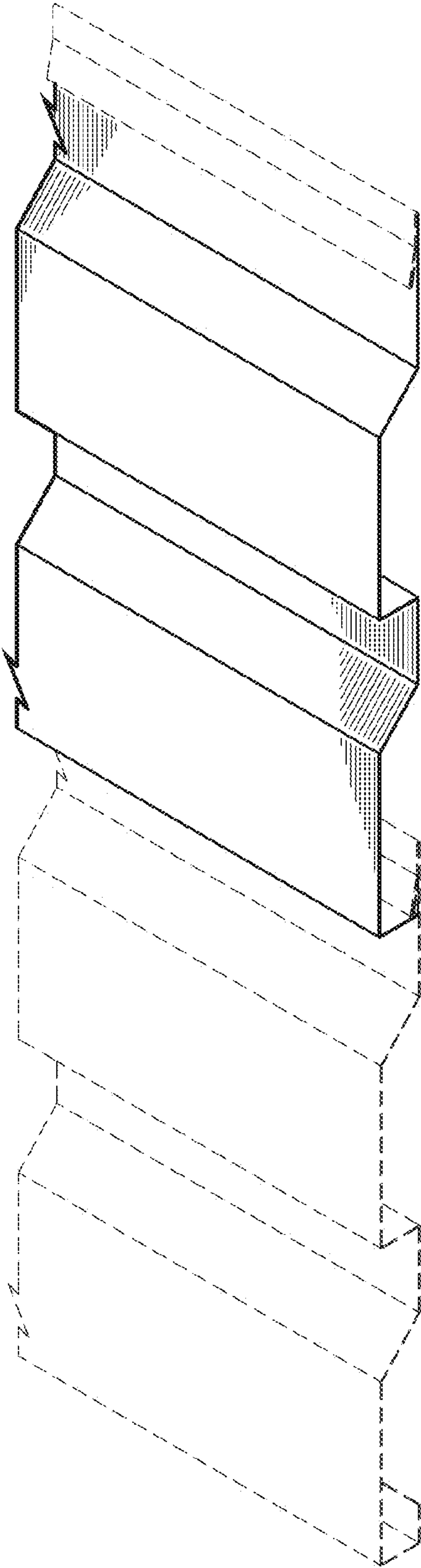


Fig. 7

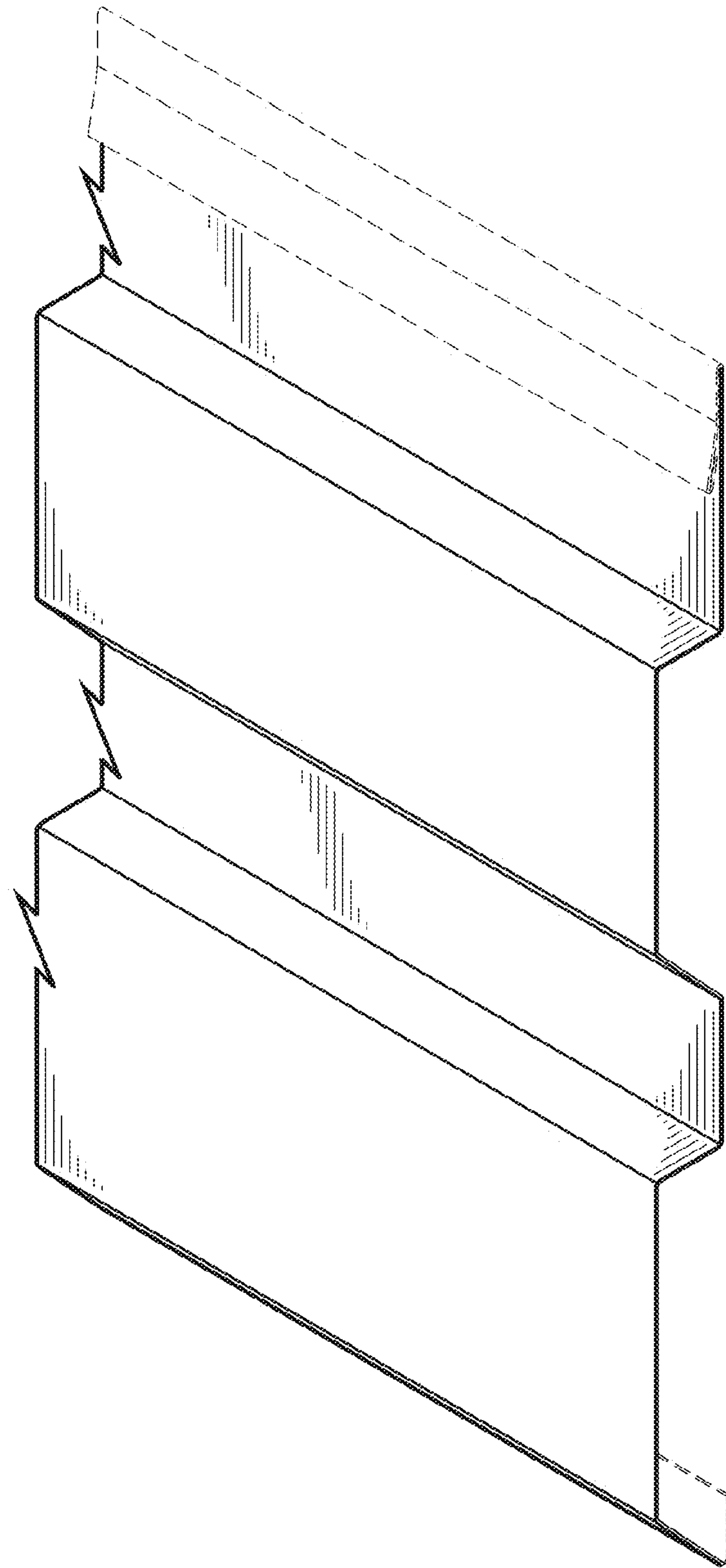


Fig. 8

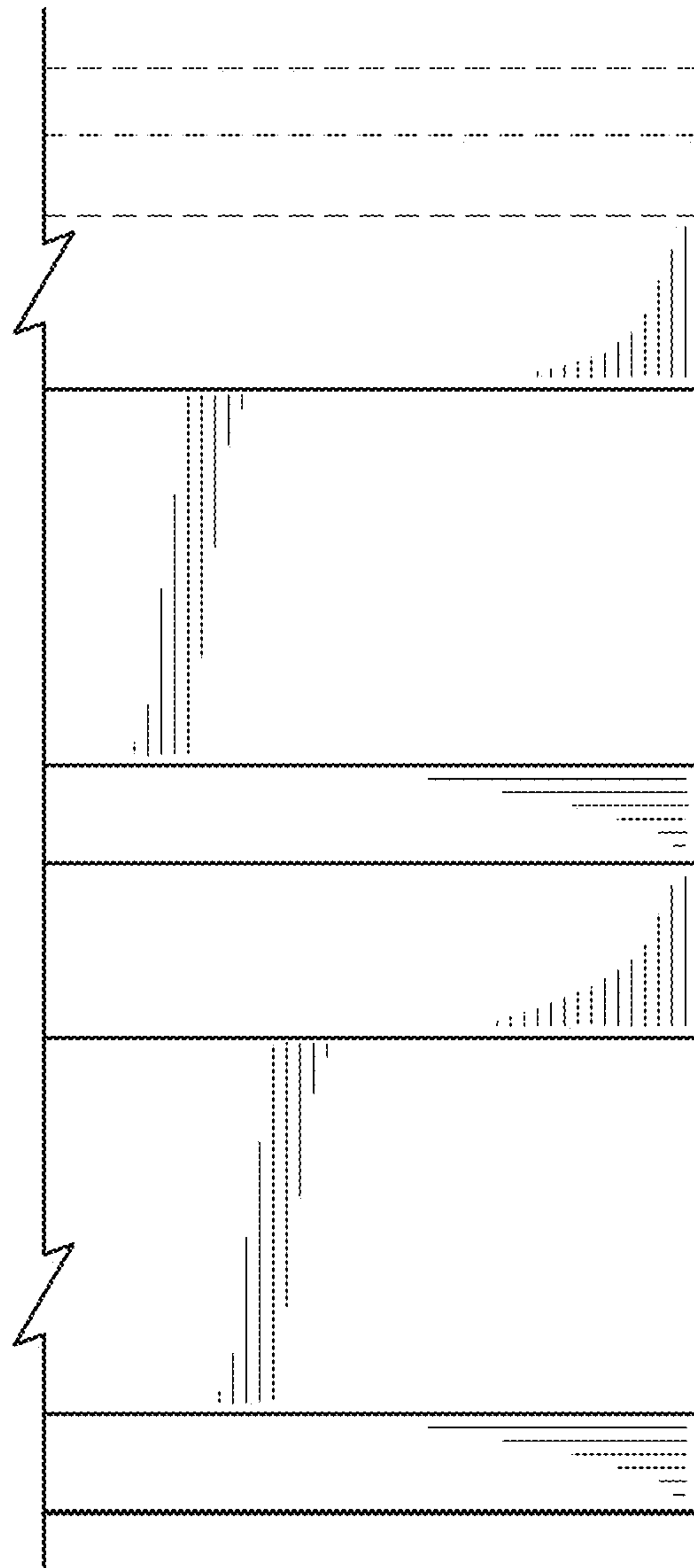


Fig. 9

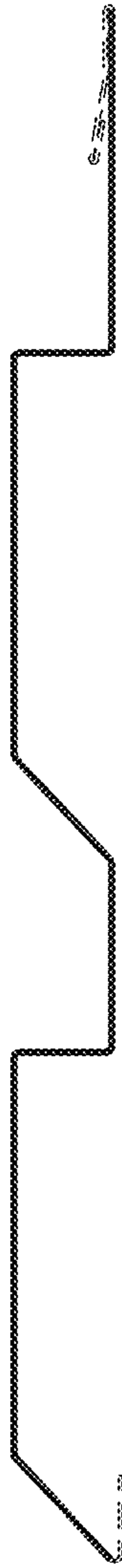


Fig. 10

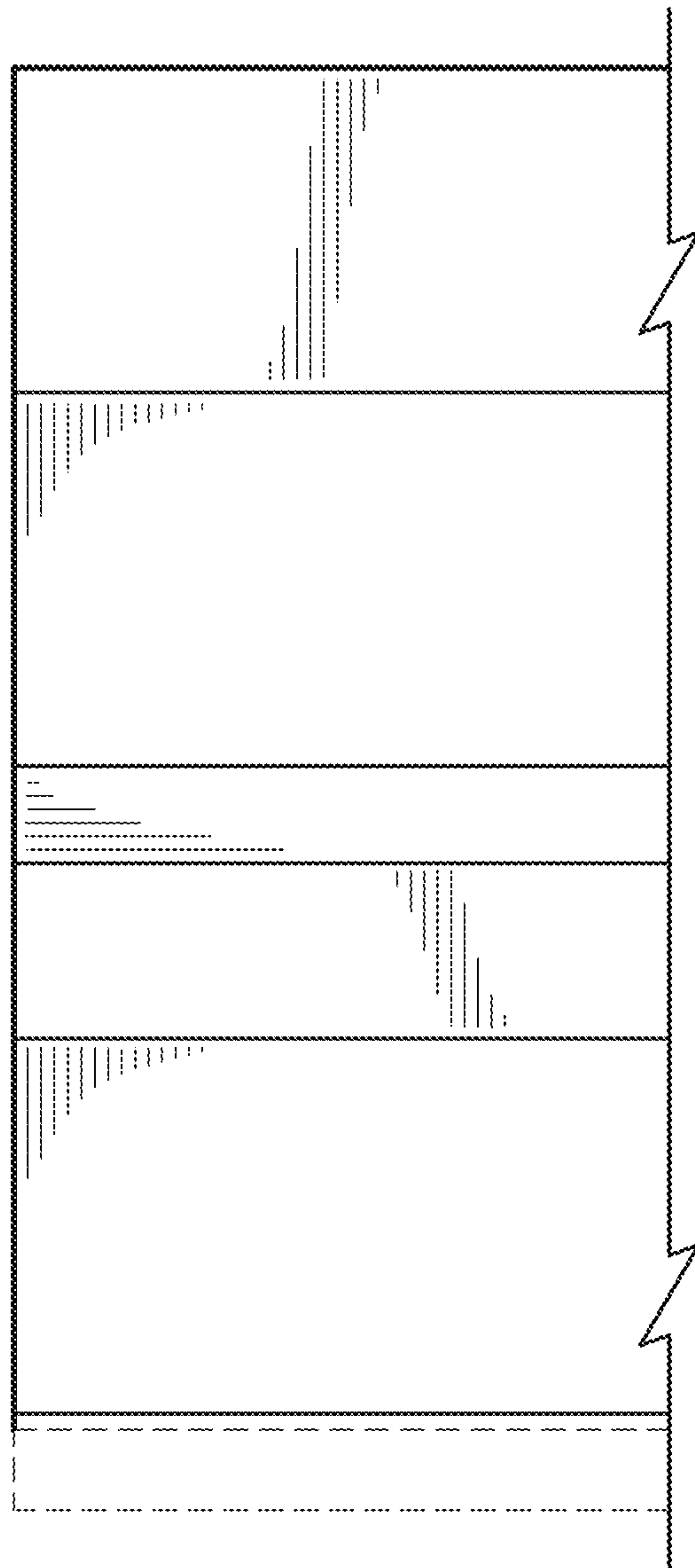


Fig. 11

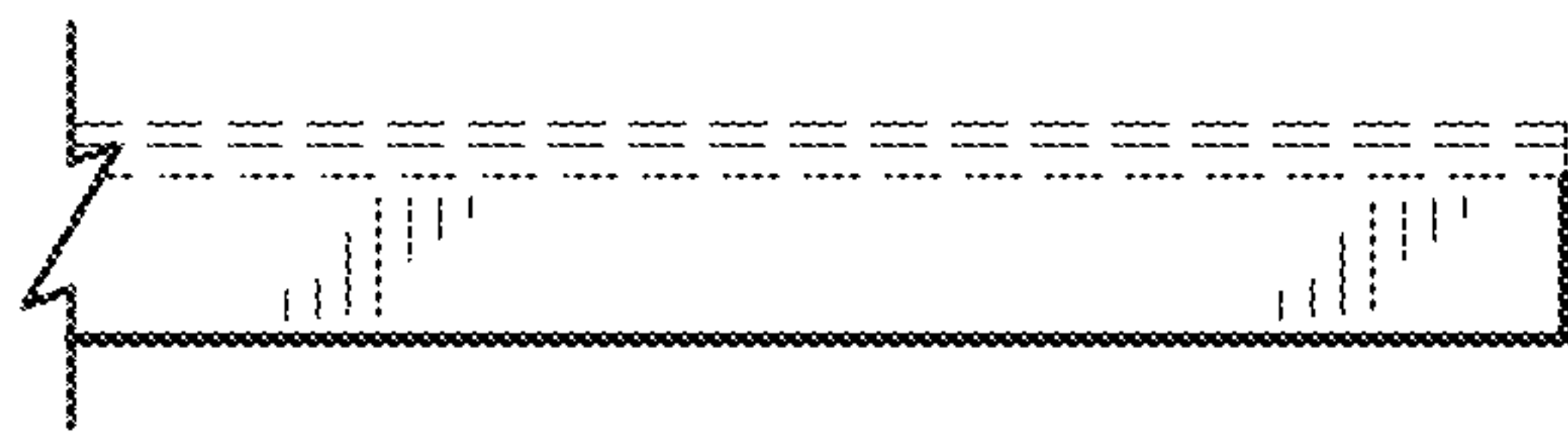


Fig. 12

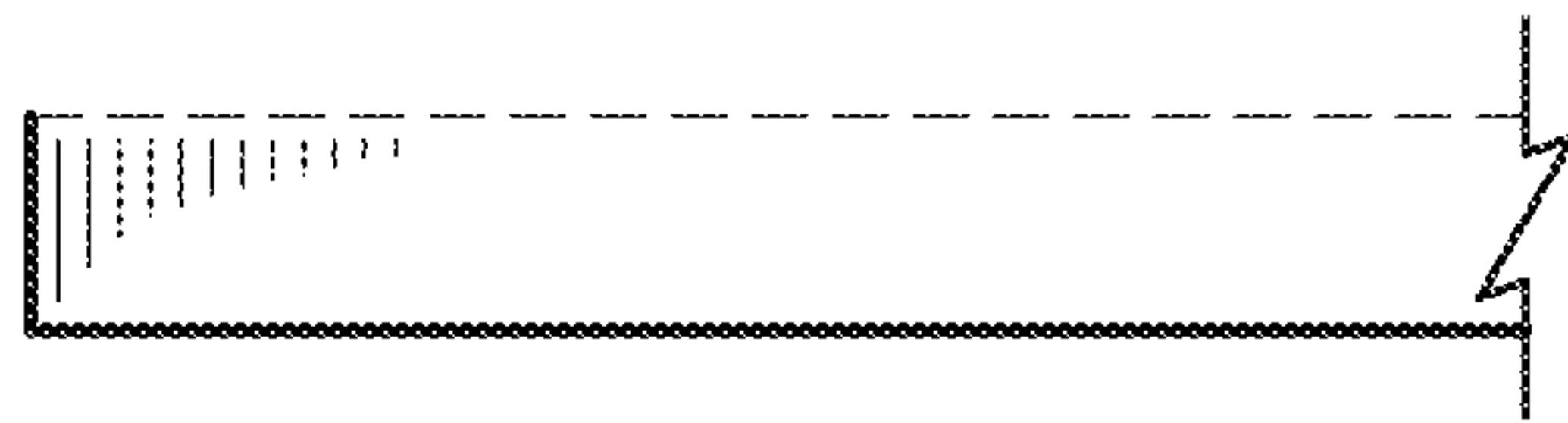


Fig. 13

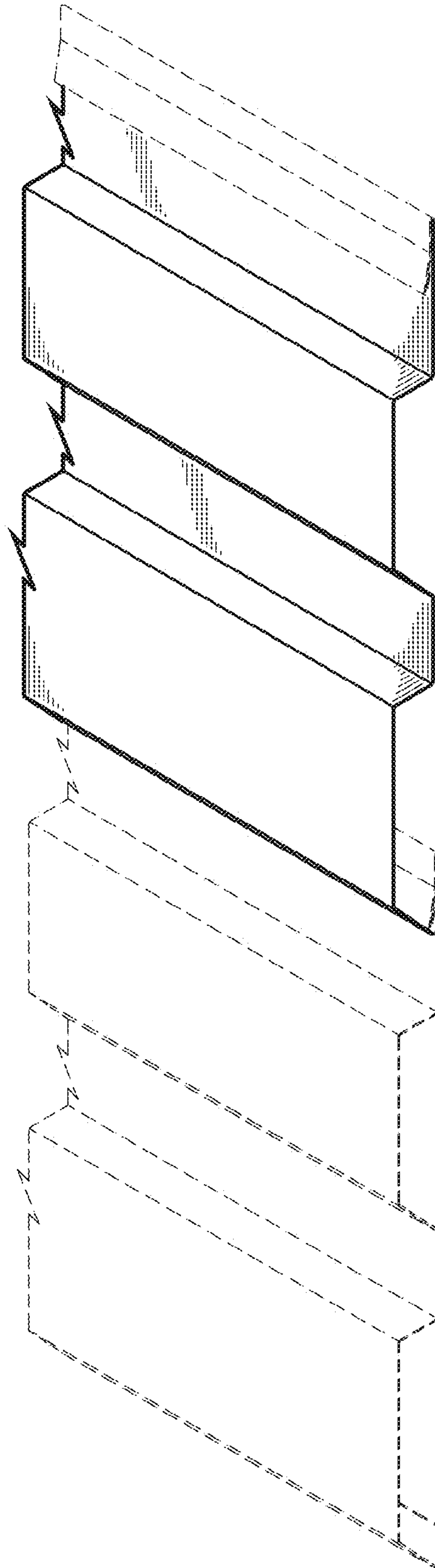


Fig. 14