



US00D736961S

(12) **United States Design Patent**
Geldart

(10) **Patent No.:** **US D736,961 S**

(45) **Date of Patent:** **** Aug. 18, 2015**

(54) **SHIELD PANEL**

(71) Applicant: **Lite Guard Safety Solutions Pty Ltd.**,
Dromana (AU)

(72) Inventor: **Peter Anthony Geldart**, Dromana (AU)

(73) Assignee: **Lite Guard Safety Solutions Pty Ltd.**,
Dromana, Victoria (AU)

(**) Term: **14 Years**

(21) Appl. No.: **29/473,327**

(22) Filed: **Nov. 21, 2013**

(51) **LOC (10) Cl.** **25-01**

(52) **U.S. Cl.**
USPC **D25/138; D25/36; D25/58; D25/48.8**

(58) **Field of Classification Search**
USPC D25/138, 156-199, 36, 35, 58, 119,
D25/48.8, 102, 133, 1, 61, 66, 68;
405/282-287, 272-276; 256/1, 24-31,
256/73

CPC E02D 17/08; E02D 17/083; E02D 17/00;
E02D 17/02; E02D 17/04; E02D 17/06;
E02D 17/086; E02D 17/13; E02D 17/205;
E02D 17/207; E04C 2/00; E04C 2/001;
E04C 2/002; E04C 2/004; E04C 2/005;
E04C 2/08

See application file for complete search history.

(56) **References Cited**

U.S. PATENT DOCUMENTS

841,773 A * 1/1907 Fitzgerald 405/282
1,282,904 A * 10/1918 Meem 405/282

(Continued)

OTHER PUBLICATIONS

(PDF1)“Aluminum Trench Shields” (www.ntsafety.com/product/aluminum-trench-shields/), 2013, 1 page, National Trench Safety

LLC website) (PDF2) “Trench Shields” (www.ntsafety.com/product/trench-shields/), 2013, 1 page, National Trench Safety LLC website).*

(Continued)

Primary Examiner — Susan Moon Lee

(74) *Attorney, Agent, or Firm* — Woodard Emhardt, Moriarty, McNett & Henry LLP

(57) **CLAIM**

The ornamental design for a shield panel, as shown and described.

DESCRIPTION

FIG. 1 is an isometric view of a first embodiment of a shield panel showing my new design;

FIG. 2 is a top view of the first embodiment thereof;

FIG. 3 is a right side view of the first embodiment thereof;

FIG. 4 is a back view of the first embodiment thereof;

FIG. 5 is a left side view of the first embodiment thereof;

FIG. 6 is a front view of the first embodiment thereof;

FIG. 7 is a bottom view of the first embodiment thereof;

FIG. 8 is an isometric exploded view of the first embodiment thereof, shown with an end cap separated from the panel body;

FIG. 9 is an enlarged end view of the first embodiment thereof, shown with the end cap removed;

FIG. 10 is an isometric view of a second embodiment of a shield panel showing my new design;

FIG. 11 is a top view of the second embodiment thereof;

FIG. 12 is a right side view of the second embodiment thereof;

FIG. 13 is a back view of the second embodiment thereof;

FIG. 14 is a left side view of the second embodiment thereof;

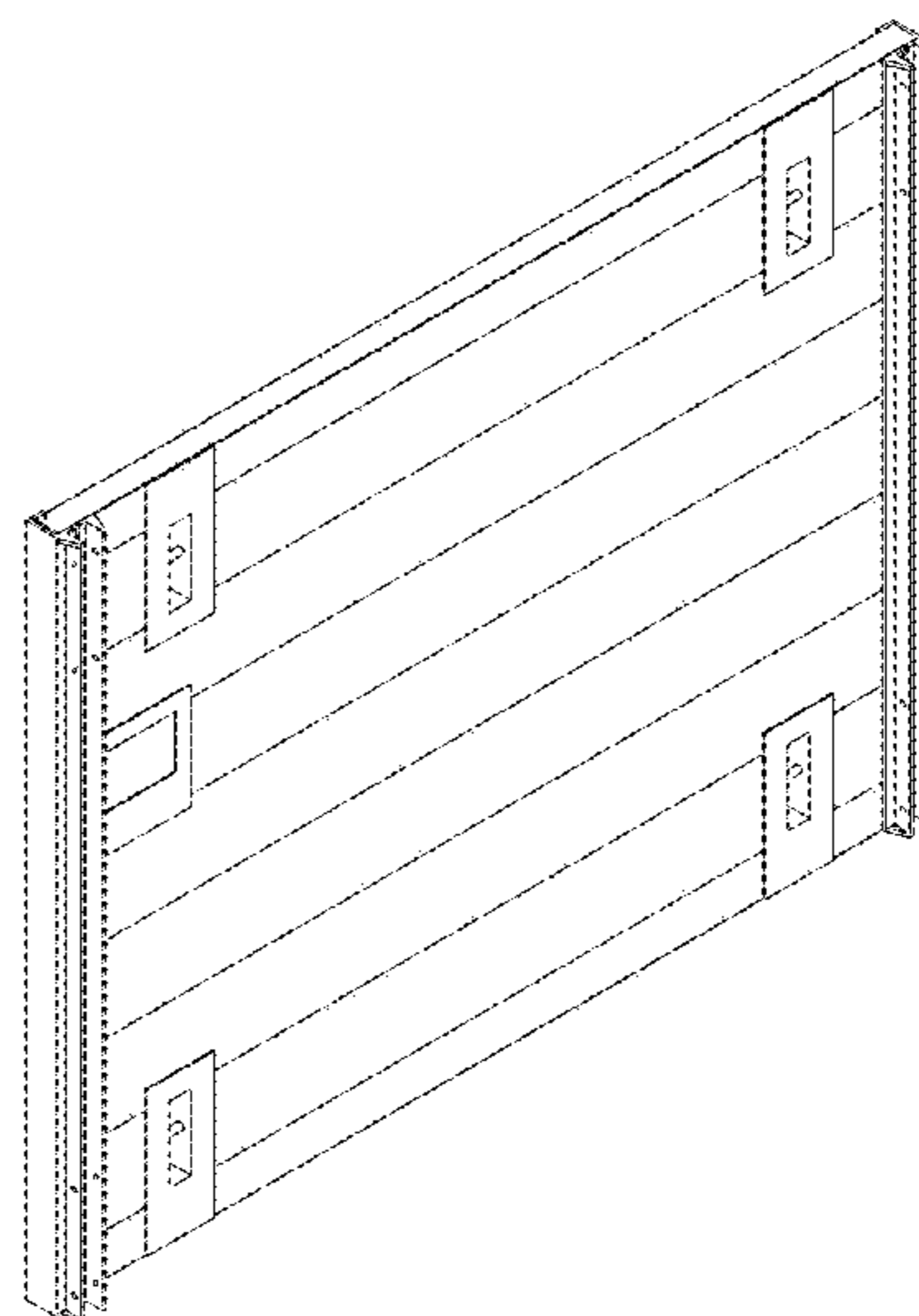
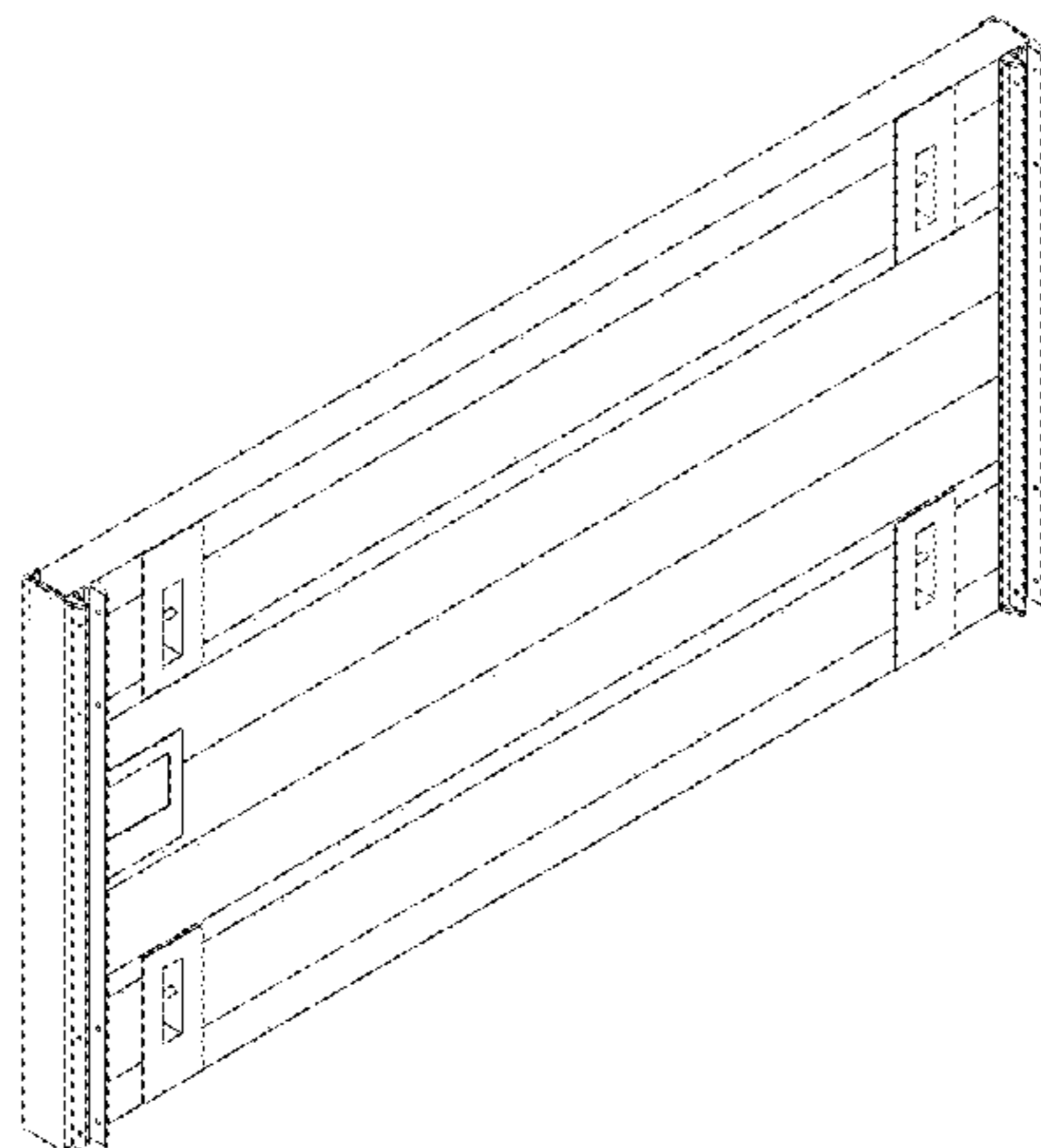
FIG. 15 is a front view of the second embodiment thereof;

FIG. 16 is a bottom view of the second embodiment thereof;

FIG. 17 is an isometric exploded view of the second embodiment thereof, shown with an end cap separated from the panel body; and,

FIG. 18 is an enlarged end view of the second embodiment thereof, shown with the end cap removed.

1 Claim, 10 Drawing Sheets



(56)

References Cited

U.S. PATENT DOCUMENTS

2,260,423	A *	10/1941	Washbourne	405/272
2,922,283	A *	1/1960	Porter	405/283
3,047,931	A *	8/1962	Boettner	249/18
3,186,177	A *	6/1965	Kannenber	405/282
3,243,963	A *	4/1966	Schnabel, Jr.	405/272
3,614,870	A *	10/1971	Boynton	405/273
3,621,660	A *	11/1971	Krings	405/282
3,782,126	A *	1/1974	Pavese	405/282
3,815,369	A *	6/1974	Meredith	405/285
3,869,867	A *	3/1975	Krings	405/282
3,969,904	A *	7/1976	Morrice	405/157
3,971,224	A *	7/1976	Elkuch	405/285
3,992,887	A *	11/1976	Fisher	405/283
3,999,393	A *	12/1976	Krings	405/282
4,004,653	A *	1/1977	Hass	182/128
4,019,329	A *	4/1977	Griswold	405/283
4,019,330	A *	4/1977	Griswold	405/283
4,033,138	A *	7/1977	Griswold	405/283
4,044,564	A *	8/1977	Griswold	405/283
4,056,938	A *	11/1977	Griswold	405/283
4,058,983	A *	11/1977	Griswold	405/283
4,090,365	A *	5/1978	Nieber	405/282
RE30,185	E *	1/1980	Griswold	405/283
4,202,649	A *	5/1980	Cook et al.	405/282
4,259,028	A *	3/1981	Cook	405/282
4,279,548	A *	7/1981	Ramey	405/283
4,345,857	A *	8/1982	Krings	405/282
4,372,709	A *	2/1983	Krings	405/282
4,421,440	A *	12/1983	Scheepers	405/282
4,659,260	A *	4/1987	Morelli	405/283
4,843,780	A *	7/1989	Krings	52/783.14
4,993,880	A *	2/1991	Collins	405/283
5,096,334	A *	3/1992	Plank	405/283
5,123,785	A *	6/1992	Orfei	405/283
5,158,399	A *	10/1992	Flores	405/285
5,180,256	A *	1/1993	Krings	405/282
5,277,522	A *	1/1994	Pertz	405/283
5,290,129	A *	3/1994	Rody et al.	405/282
5,306,103	A *	4/1994	Spencer	405/282
5,527,137	A *	6/1996	Spencer	405/283
5,839,707	A *	11/1998	Barringer	248/214
6,224,296	B1 *	5/2001	Fukumori	405/282
D463,037	S *	9/2002	Heasley	D25/48.8
6,443,665	B1 *	9/2002	Kundel, Sr.	405/283
6,474,911	B1 *	11/2002	Krings	405/282
6,889,824	B2 *	5/2005	Leisner et al.	198/860.5
7,214,003	B1 *	5/2007	Lux, III	405/104
7,258,511	B1 *	8/2007	Cerda	405/282
7,611,308	B1 *	11/2009	Kundel, Sr.	405/282
7,837,413	B1 *	11/2010	Kundel, Sr.	405/283
D686,751	S *	7/2013	Chrien	D25/36
D700,368	S *	2/2014	Shen	D25/138
8,926,229	B1 *	1/2015	Clair	405/283
2004/0005197	A1 *	1/2004	Kadiu	405/274
2004/0037654	A1 *	2/2004	Peterson et al.	405/284
2004/0170478	A1 *	9/2004	Kadiu	405/282
2004/0208702	A1 *	10/2004	Buchanan	405/15
2007/0175699	A1 *	8/2007	Stebinski	182/82
2008/0050213	A1 *	2/2008	Kundel	414/572
2008/0229702	A1 *	9/2008	Davidson	52/745.21

2009/0110490	A1 *	4/2009	Hess	405/282
2010/0264390	A1 *	10/2010	Cerda	256/24
2012/0076594	A1 *	3/2012	Park et al.	405/285
2014/0112726	A1 *	4/2014	Pateuk	405/284
2014/0219728	A1 *	8/2014	Brown	405/284
2014/0248093	A1 *	9/2014	Breen	405/284

OTHER PUBLICATIONS

(PDF3) "Pro-Tec Equipment Mod Series" trench shields (www.pro-tecequipment.com/products/aluminum-trench-shields) (2014, div. of Trinity Shoring Products Inc., 2 pages) (PDF4) "Pro-Tec Trench Shield Standards" trench shields (www.pro-tecequipment.com/products/aluminum-trench-shields) (2014, div. of Trinity Shoring Products Inc., 5 pages).*

(PDF5) Trenchmate Trench Shield Panels (www.trenchmate.co.nz/products-for-sale/trenchmate-shield/trench-shield-stats/trench-shield-stats-2) 2015, 1 page. Trenchmate Certified Shoring Solutions.*

(PDF6) GME Trench Shield Sidewalls 3" (www.gme-shields.com/wp-content/uploads/2013/01/3M.pdf) (www.gme-shields.com), 2013, 1 page. (PDF 7) GME Trench Shield Sidewalls 4", 2013, 1 page. (PDF8) GME Trench Shield Sidewalls 6", 2013, 1 page.*

(PDF9) Norris Sales Company Inc. website "Pro-Tec Equipment Aluminum Trench Shield" (1 page)(www.norrissales.com/products/trench-shields-and-shoring-trench-shields-and-shoring/aluminum-trench-shield), 2014 (PDF10) "Steel Double Wall Shield Pro 6 Series" (www.norrissales.com), 2014, 1 page.*

(PDF11) Direct Equipment West Trench Shoring Single and Double Wall Trench Shields (www.dewest.ca/aluminum-shoring-shielding/) 2015, 1 page.*

(PDF12) "Primax Trench Shield w/Sliding Spreaders" (www.primaxshoring.com/products_page1.html), 2011, 1 page. (PDF13) "Primax Shoring System" (www.primaxshoring.com/products_page1.html) 2011, 3 pages.*

(PDF14) SoftMirage website portfolio "BakerCorp Products" Shoring Shield depicted. (www.softmirage.com/bakercorp-products/) (2015, 1 page).*

(PDF15) Efficiency Production "Build-a-Box" Shield System brochure (www.encyclopedia.com/alum-a-shield) ("Resources">Tabulated Data Build-a-Box brochure) Jan. 2010 Corrugated Trench Shields, 7 pages. (PDF16) Efficiency "Build a Box Modular Aluminum Trench Shielding System" www.encyclopedia.com/build-a-box > Resources 2013, 4 pages.*

(PDF17) Kundel Shields "ShoreLite 'Lite'" alum. shielding system (www.kundel-shields.com/index.php/products/4/141), Apr. 2007, 2 pages. (PDF18) Titan Series 5 Plus Trench Boxes (www.kundel-shields.com/index.php/products/6/110), Sep. 5', 1 page. (PDF19) "Shorlite" (www.kundel-shields.com/index.php/brand_landing/4/safeguard_series/), Apr. 7', 1 page.*

(PDF20) Kundel "Titan Basic Series Trench Boxes" (www.kundel-shields.com/index.php/brand_landing/6/titan_basic_series_trench_boxes) 2005, 1 page. (PDF21) "Titan Slide Box" (www.kundel-shields.com/index.php/products/6/138), Jun. 2008, 1 page.*

(PDF22) Bakercorp "Steel Trench Shield" (www.bakercorp.com/en-us/products/trench-shoring/steel-trench-shields/), 2015, 1 page.* Unpublished Design U.S. Appl. No. 29/464,771, filed Aug. 2, 2013 titled Shield Panel, inventor Peter Anthony Geldart.

* cited by examiner

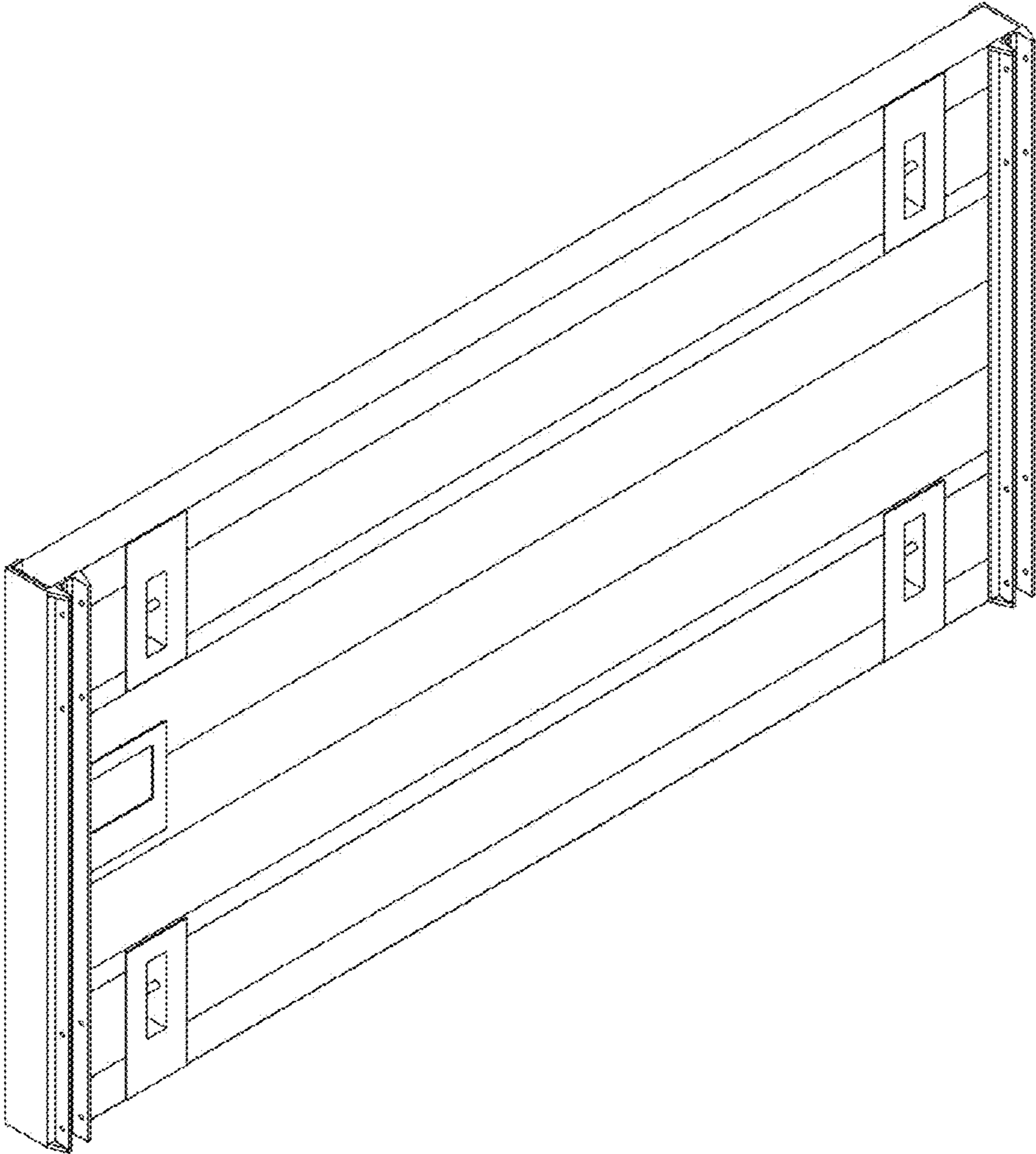


Fig. 1



Fig. 2



Fig. 3

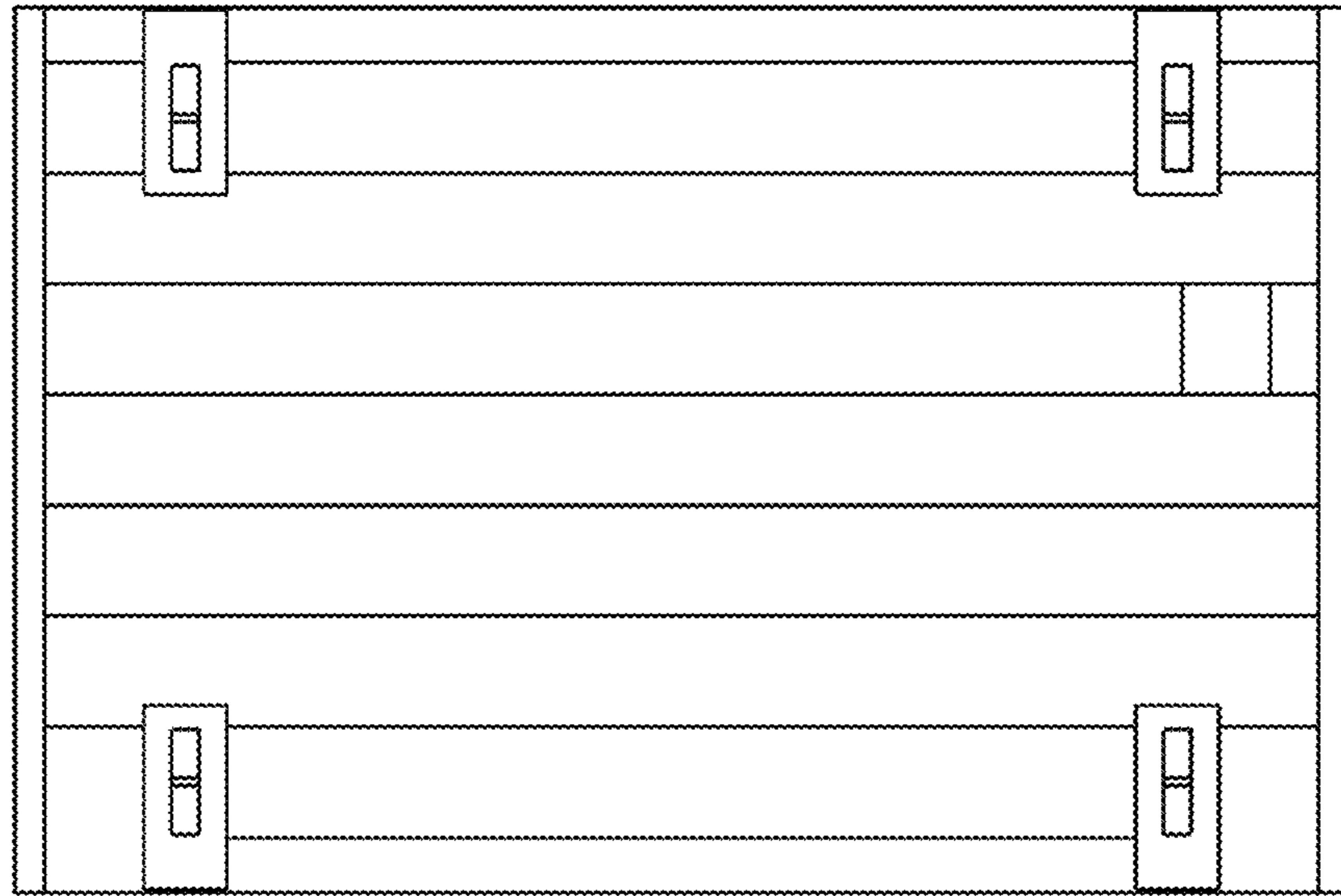


Fig. 4

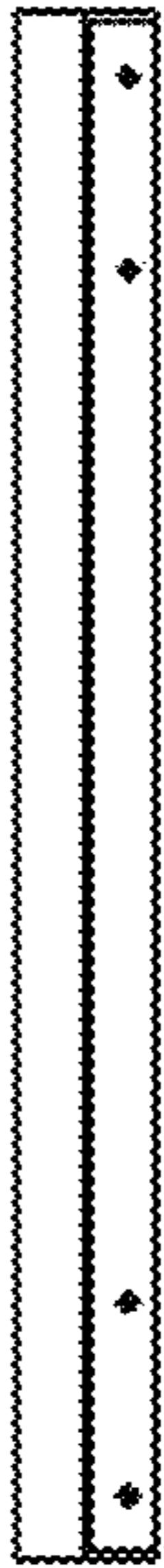


Fig. 5

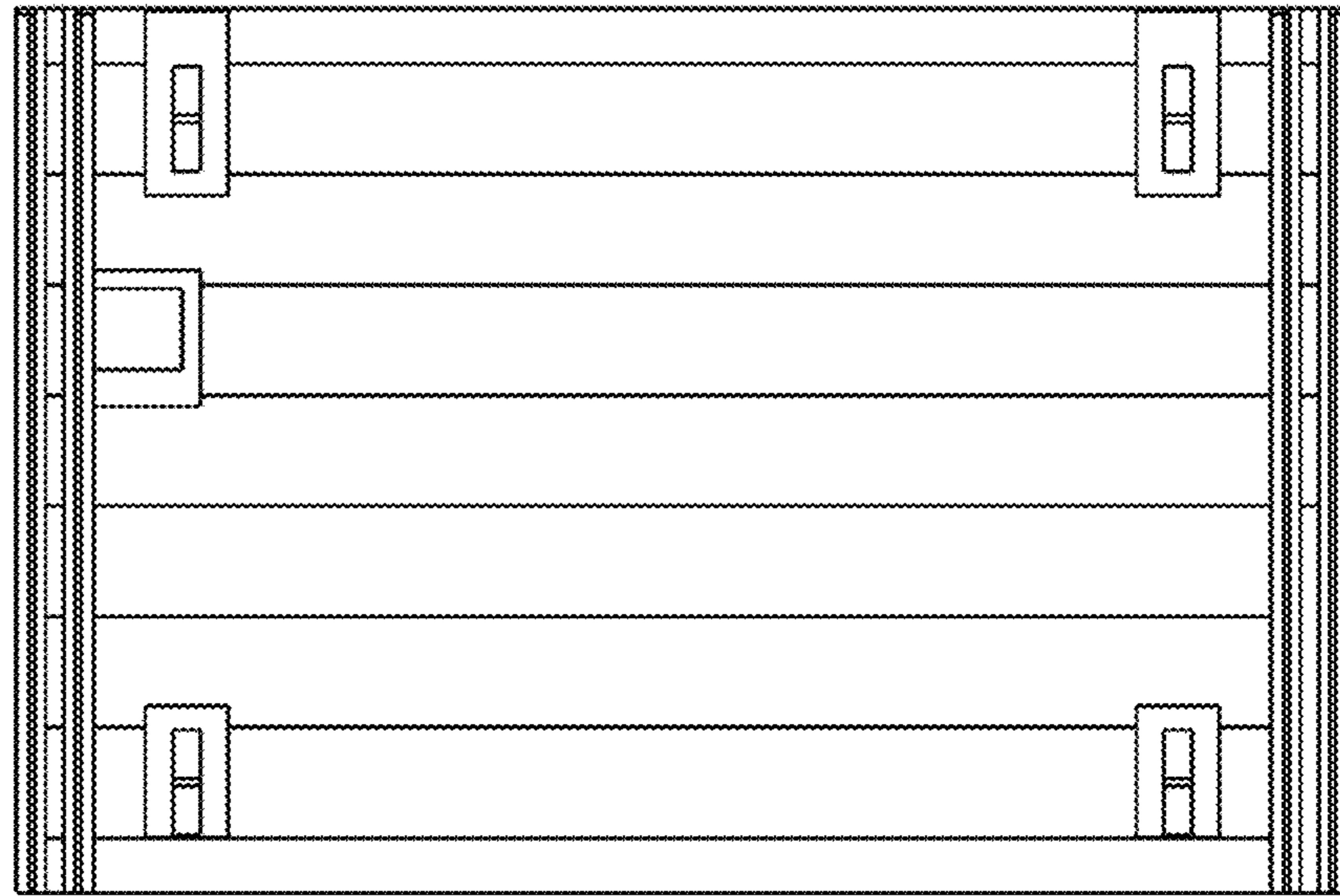


Fig. 6

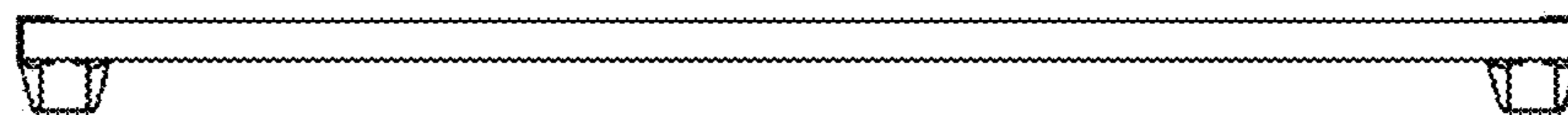


Fig. 7

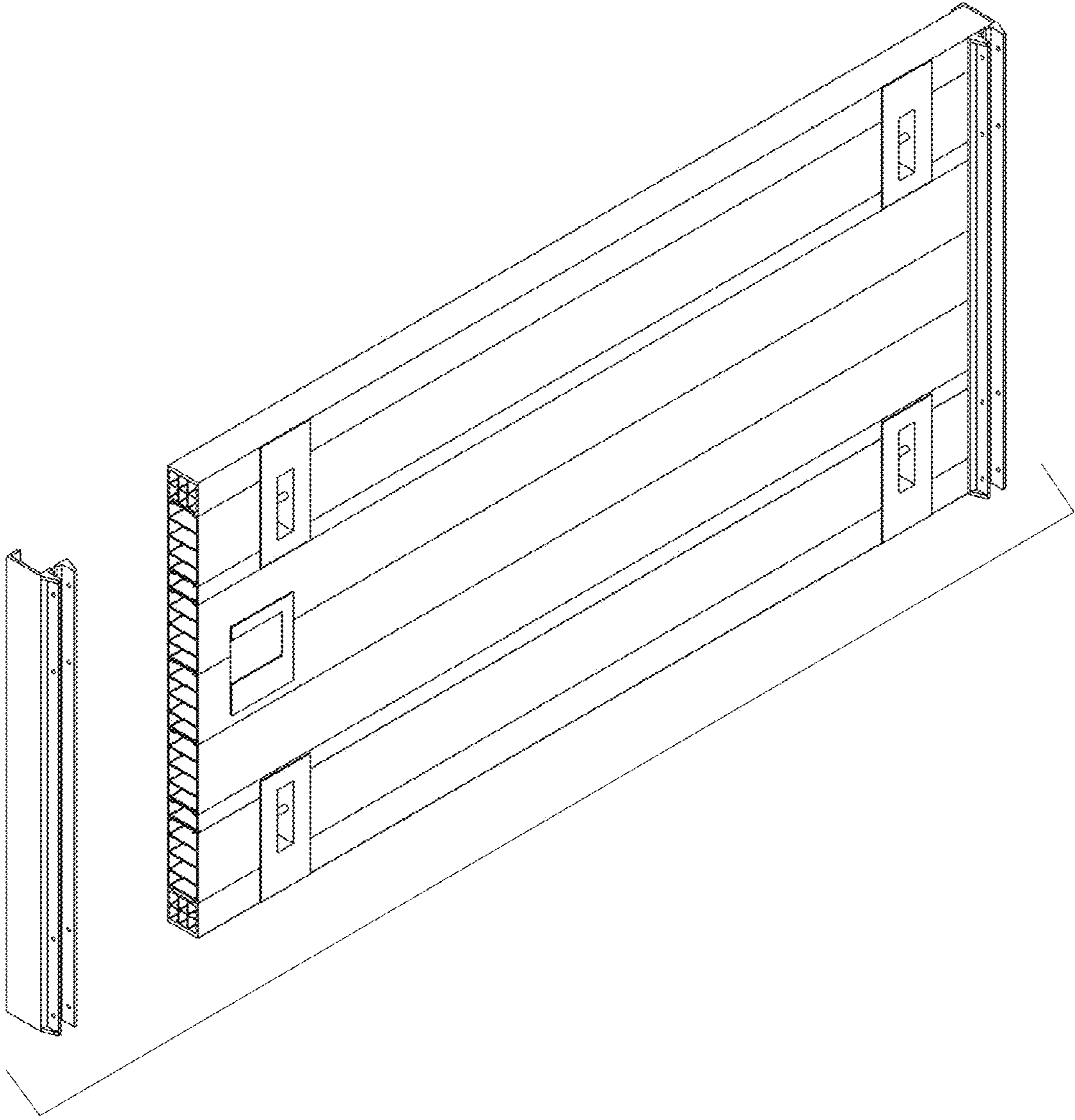


Fig. 8

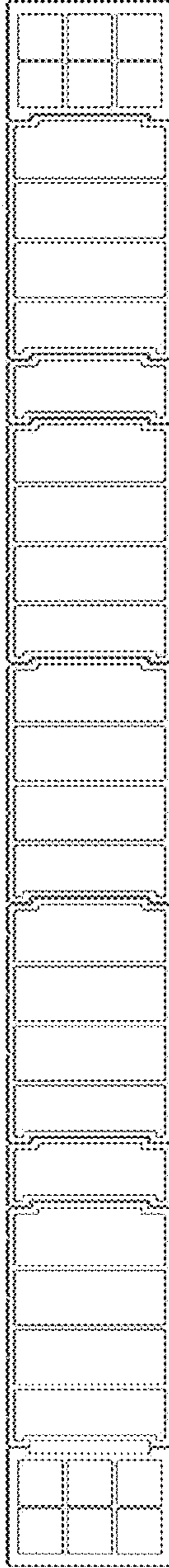


Fig. 9

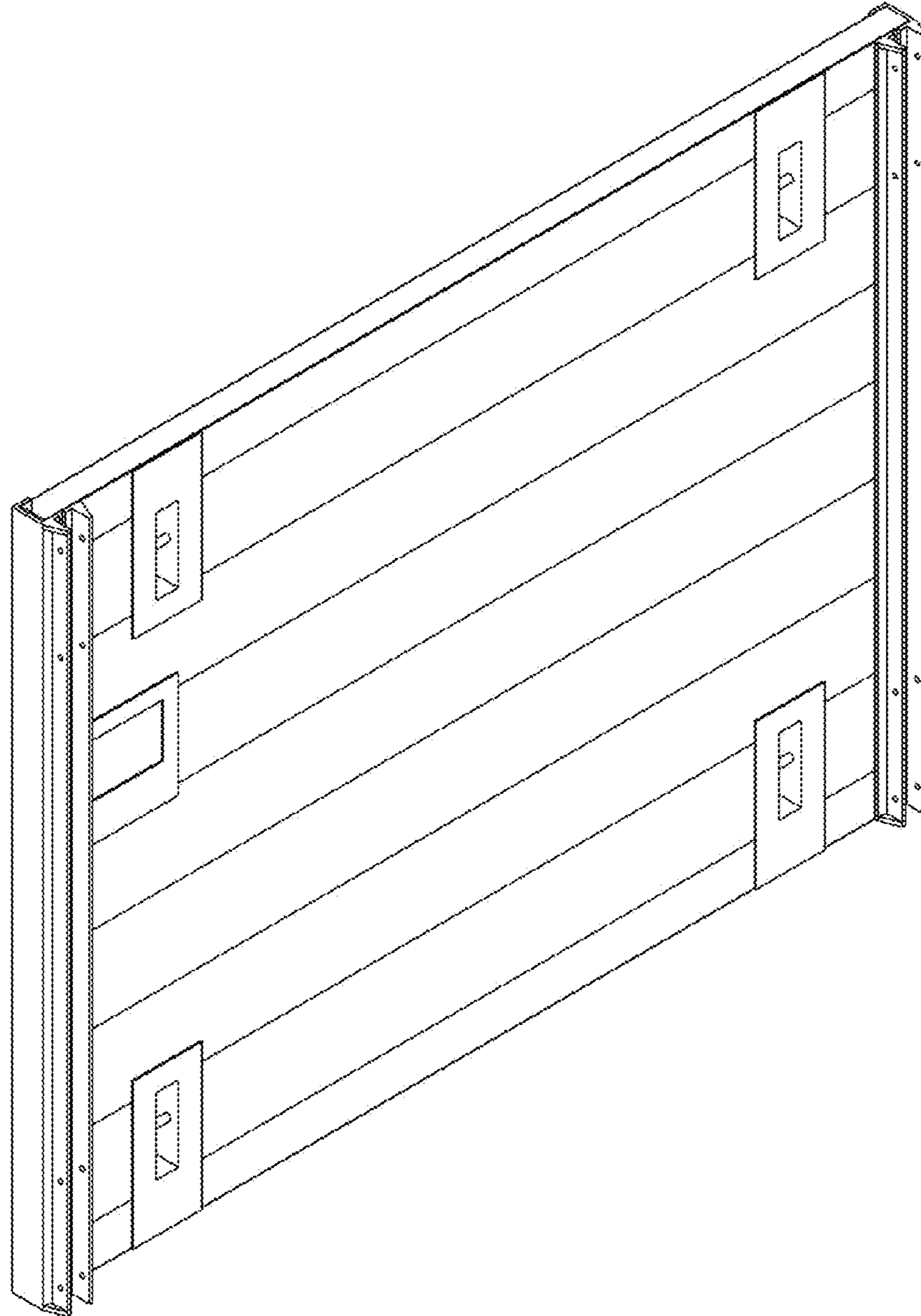


Fig. 10



Fig. 11



Fig. 12

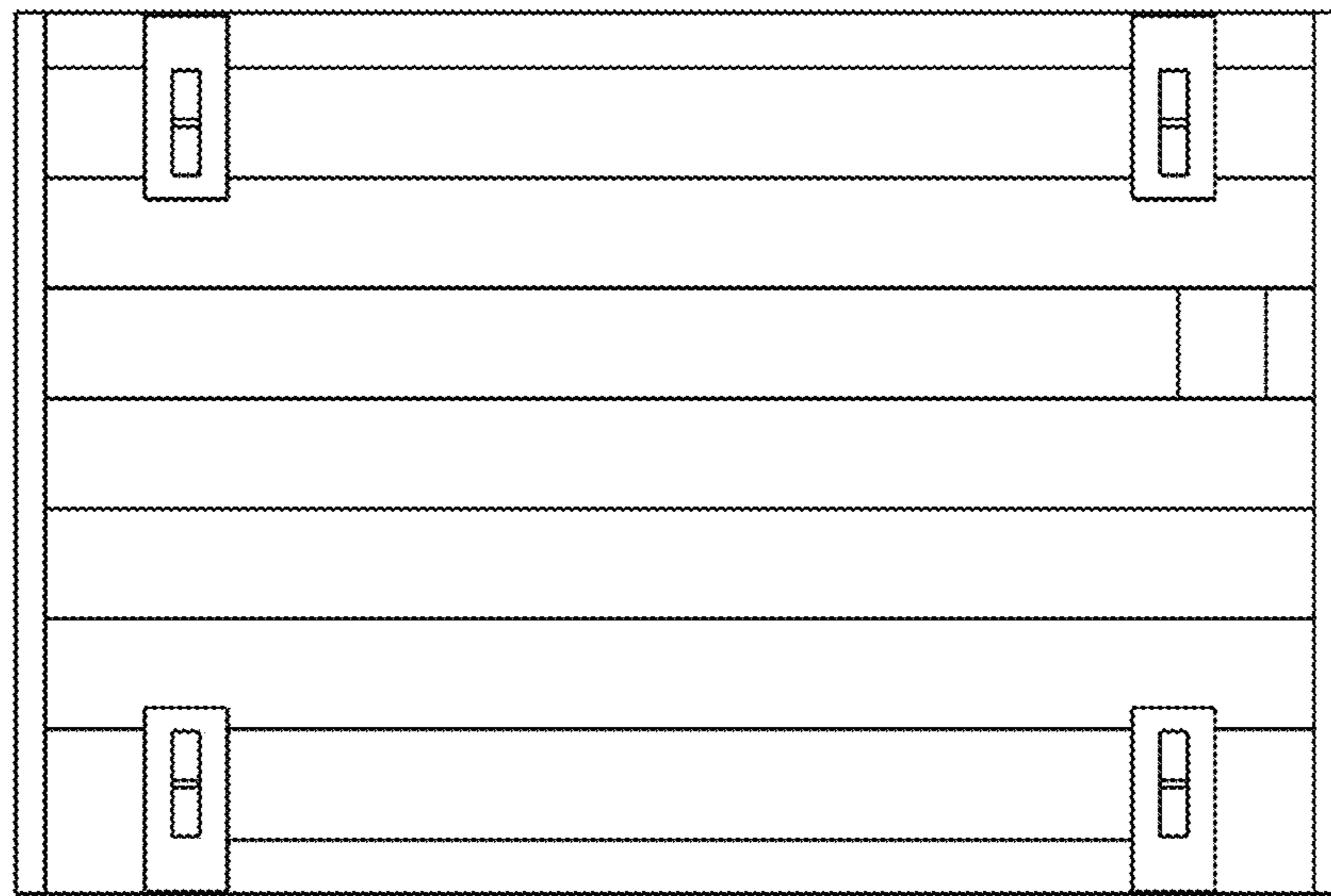


Fig. 13

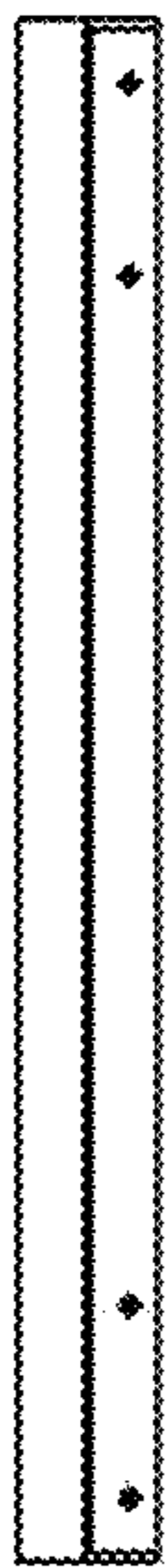


Fig. 14

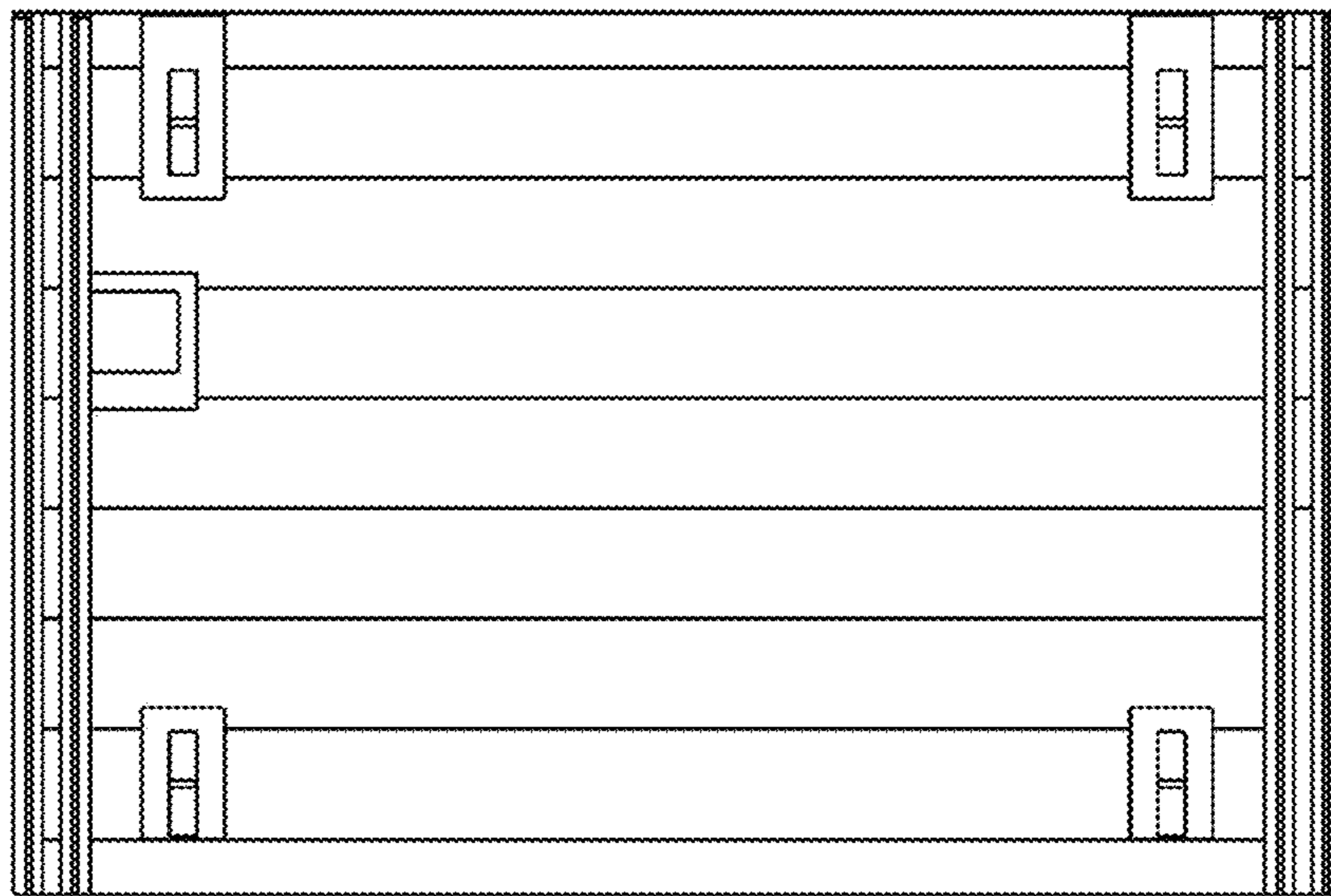


Fig. 15

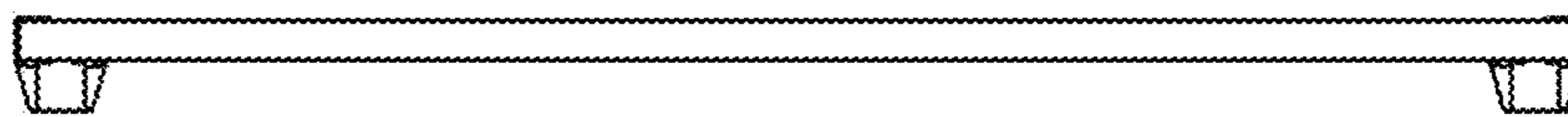


Fig. 16

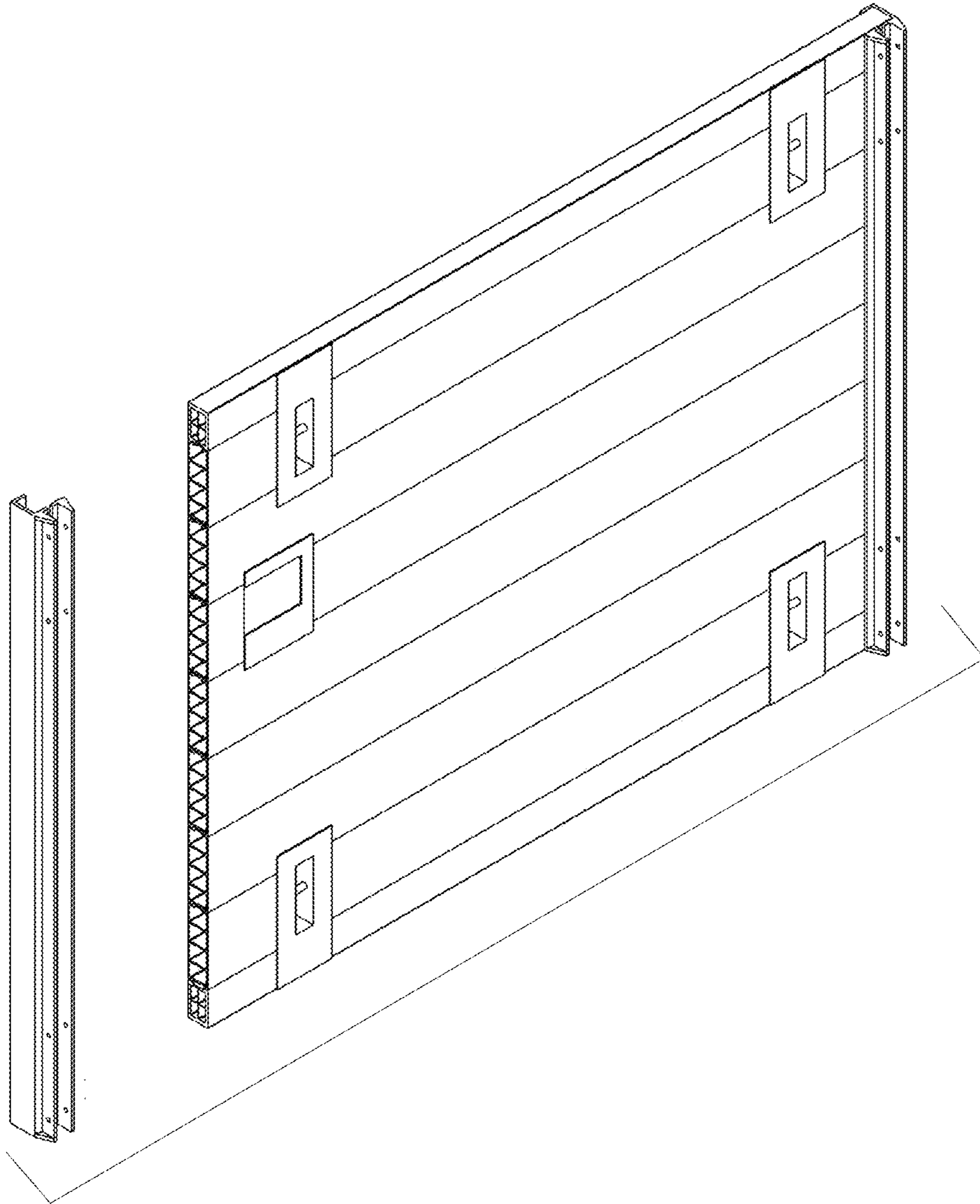


Fig. 17

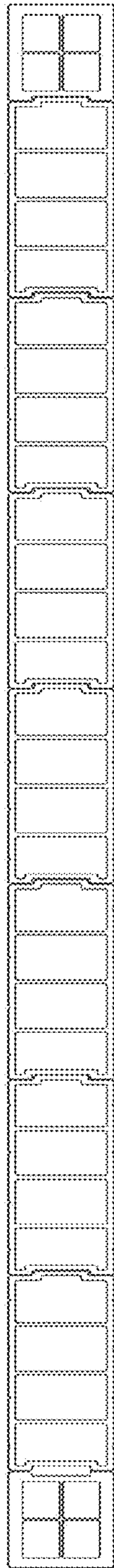


Fig. 18