



US00D736959S

(12) **United States Design Patent**  
**Edgar, III et al.**

(10) **Patent No.:** **US D736,959 S**

(45) **Date of Patent:** **\*\* Aug. 18, 2015**

(54) **TENSION LEG PLATFORM**

(71) Applicants: **John Lane Reed Edgar, III**, Seattle, WA (US); **Kyle Cameron Beattie**, Seattle, WA (US)

(72) Inventors: **John Lane Reed Edgar, III**, Seattle, WA (US); **Kyle Cameron Beattie**, Seattle, WA (US)

(73) Assignee: **The Glosten Associates, Inc.**, Seattle, WA (US)

(\*\*) Term: **14 Years**

(21) Appl. No.: **29/469,102**

(22) Filed: **Oct. 7, 2013**

(51) **LOC (10) Cl.** ..... **25-01**

(52) **U.S. Cl.**  
USPC ..... **D25/133**

(58) **Field of Classification Search**  
USPC ..... D25/133; 405/7, 148, 197, 208, 223.1, 405/224.4; 182/112, 189, 223, 222; 248/644, 670, 678, 677, 346.01  
See application file for complete search history.

(56) **References Cited**

**U.S. PATENT DOCUMENTS**

2,909,901	A	10/1959	Suderow	
4,320,993	A *	3/1982	Hunter	405/224
5,964,550	A	10/1999	Blandford	
6,503,023	B2 *	1/2003	Huang et al.	405/206
7,621,698	B2	11/2009	Pallini, Jr.	
D610,719	S *	2/2010	Arden	D25/133

(Continued)

**FOREIGN PATENT DOCUMENTS**

WO 03/066427 A1 8/2003

**OTHER PUBLICATIONS**

Amate López, J., "Iberdrola E&C Offshore Wind Floating Developments," Proceedings of the Deeper Water Offshore Wind Conference, London, Mar. 6, 2013, 48 pages.

(Continued)

*Primary Examiner* — Doris Clark

(74) *Attorney, Agent, or Firm* — Christensen O'Connor Johnson Kindness PLLC

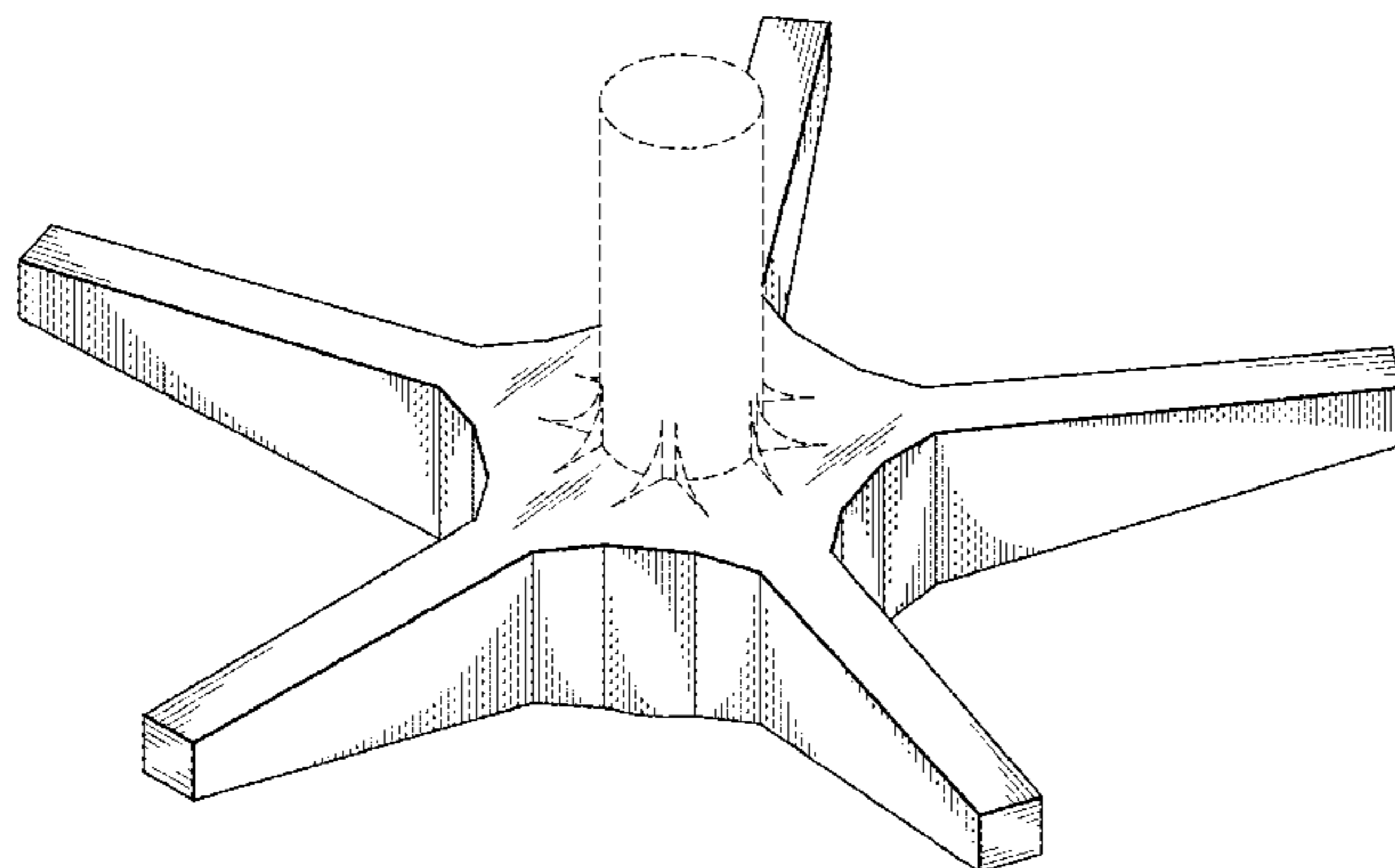
(57) **CLAIM**

The ornamental design for a tension leg platform, as shown and described.

**DESCRIPTION**

FIG. 1 is an isometric view of a tension leg platform in accordance with a first embodiment;  
 FIG. 2 is front elevation view of the tension leg platform of FIG. 1;  
 FIG. 3 is back elevation view of the tension leg platform of FIG. 1;  
 FIG. 4 is a top plan view of the tension leg platform of FIG. 1;  
 FIG. 5 is a bottom plan view of the tension leg platform of FIG. 1;  
 FIG. 6 is a left elevation view of the tension leg platform of FIG. 1;  
 FIG. 7 is a right elevation view of the tension leg platform of FIG. 1;  
 FIG. 8 is an isometric view of a tension leg platform in accordance with a second embodiment;  
 FIG. 9 is front elevation view of the tension leg platform of FIG. 8;  
 FIG. 10 is back elevation view of the tension leg platform of FIG. 8;  
 FIG. 11 is a top plan view of the tension leg platform of FIG. 8;  
 FIG. 12 is a bottom plan view of the tension leg platform of FIG. 8;  
 FIG. 13 is a left elevation view of the tension leg platform of FIG. 8; and,  
 FIG. 14 is a right elevation view of the tension leg platform of FIG. 8.  
 The broken lines are for illustrative purposes only and form no part of the claimed design.

**1 Claim, 10 Drawing Sheets**



(56)

**References Cited**

## U.S. PATENT DOCUMENTS

7,963,241	B2	6/2011	Srinivasan	
8,622,011	B2	1/2014	Jähnig	
2007/0181767	A1*	8/2007	Wobben	248/346.01
2012/0183359	A1	7/2012	Nordstrom	
2013/0019792	A1	1/2013	Jähnig	

## OTHER PUBLICATIONS

Ardakani, H.A., and M.J. Ketabdari, "Experimental Study on the Response Behaviour of SeaStar Mini Tension Leg Platform Against Random Water Waves," Proceedings of the 26th ASME International Conference on Offshore Mechanics and Arctic Engineering, "Offshore Technology: Special Symposium on Ocean Measurements and Their Influence on Design," San Diego, Jun. 10-15, 2007, Abstract only.

"BHP Billiton's Neptune Platform Sails Out to Gulf," Oil & Gas Journal, Jun. 18, 2007, <<http://www.ogj.com/articles/print/volume-105/issue-23/drilling-production/bhp-billitonrsquos-neptune-platform-sails-out-to-gulf.html>> [retrieved Apr. 8, 2014], 2 pages.

Blandford, J., Designing and Constructing Fixed Offshore Platforms: An Entrepreneur's Approach, Proceedings of the Structural Engineering Education Reunion (STEER), Austin, Texas, Mar. 22-23, 2007, 38 pages.

"Development Options With SeaStar TLPs," Atlantia Offshore Limited, Houston, Texas, n.d., <<http://web.archive.org/web/20041204070253/http://atlantia.com/seastar/>> [retrieved Apr. 8, 2014], 2 pages.

D'Souza, R., et al., "The Tension Leg Platform—A Retrospective," Proceedings of the 18th SNAME Offshore Symposium, "Engineering the Future: The Arctic and Beyond," Houston, Texas, Feb. 7, 2013, 17 pages.

Furlow, W., "Subsea/Surface Systems," Offshore, Aug. 1, 2003, <<http://www.offshore-mag.com/articles/print/volume-63/issue-8/departments/subsea-surface-systems/subsea-surface-systems.html>> [retrieved Apr. 8, 2014], 3 pages.

Joseph, A., et al., "Experimental and Numerical Study of Coupled Dynamic Response of a Mini Tension Leg Platform," Journal of Offshore Mechanics and Arctic Engineering 126(4):318-330, Nov. 2004, Figures only.

Ketabdari, M.J., et al., "Laboratory Investigation on Response Behaviour of SeaStar Mini Tension Leg Platform Against Regular Water Waves," Proceedings of the 26th ASME International Conference on Offshore Mechanics and Arctic Engineering, San Diego, Jun. 10-15, 2007, Abstract only.

Kibbee, S.E., and D.C. Snell, "New Directions in TLP Technology," Proceedings of the Offshore Technology Conference, Houston, Texas, May 6, 2002, 9 pages.

Kibbee, S.E., et al., "The Seastar Tension-Leg Platform," Proceedings of the Offshore Technology Conference, Houston, Texas, May 2, 1994, Abstract only.

Matten, R.B., et al., "Typhoon SeaStar TLP," Proceedings of the Offshore Technology Conference, Houston, Texas, May 6, 2002, Abstract only.

"Matterhorn," Oilpro, n.d., <<http://oilpro.com/equipment/3001/matterhorn>> [retrieved Apr. 8, 2014], 2 pages.

"Mobile Offshore Drilling Unit (MODU)," e-Learning demo, © 2014 International Human Resources Development Corporation, <[http://www.ihrdc.com/els/ipims-demo/t36797/offline\\_IPIMS\\_s36804/resources/data/PE08.htm](http://www.ihrdc.com/els/ipims-demo/t36797/offline_IPIMS_s36804/resources/data/PE08.htm)> [retrieved Apr. 8, 2014], 4 pages.

"Neptune Field, United States of America," Offshore Technology Market & Customer Insight <<http://www.offshore-technology.com/projects/neptune-field/>> [retrieved Apr. 8, 2014], 3 pages.

Porter, L., "Instead of Retiring, Engineer Finds New Career: Offshore Wind Power," Seattle Daily Journal of Commerce, May 10, 2013, <<http://www.djc.com/news/ae/12052865.html?action=get&id=12052865&printmode=true>> [retrieved May 13, 2013], 2 pages.

Redfern, I.J., et al., "Morpeth SeaStar Installation," Proceedings of the Offshore Technology Conference, Houston, Texas, May 3, 1999, Abstract only.

Rijken, O., and S. Leverette, "Tension Leg Platform Response to Earthquake in Gulf of Mexico," Proceedings of the 17th International Offshore and Polar Engineering Conference, Lisbon, Portugal, Jul. 1-6, 2007, p. 190.

Skaug, L., "Minimal Facilities Aid Gulf of Mexico Developments," Deepwater Technology, Aug. 2002, <<http://www.mustangeng.com/aboutmustang/publications/publications/minimalfacilitiesaid.pdf>> [retrieved Apr. 8, 2014], 6 pages.

Sreekumar, S., et al., "Coupled Dynamics of SeaStar Mini Tension Leg Platform Using Linear Diffraction-Radiation Theory," Proceedings of the 20th Offshore Mechanics and Arctic Engineering Conference (OMAE), Rio de Janeiro, Jun. 3-8, 2001, 8 pages.

"Tension Leg Platforms," © 2012 Signal International, <[http://www.signalint.com/projects/tension\\_leg\\_platforms](http://www.signalint.com/projects/tension_leg_platforms)> [retrieved Apr. 8, 2014], 1 page.

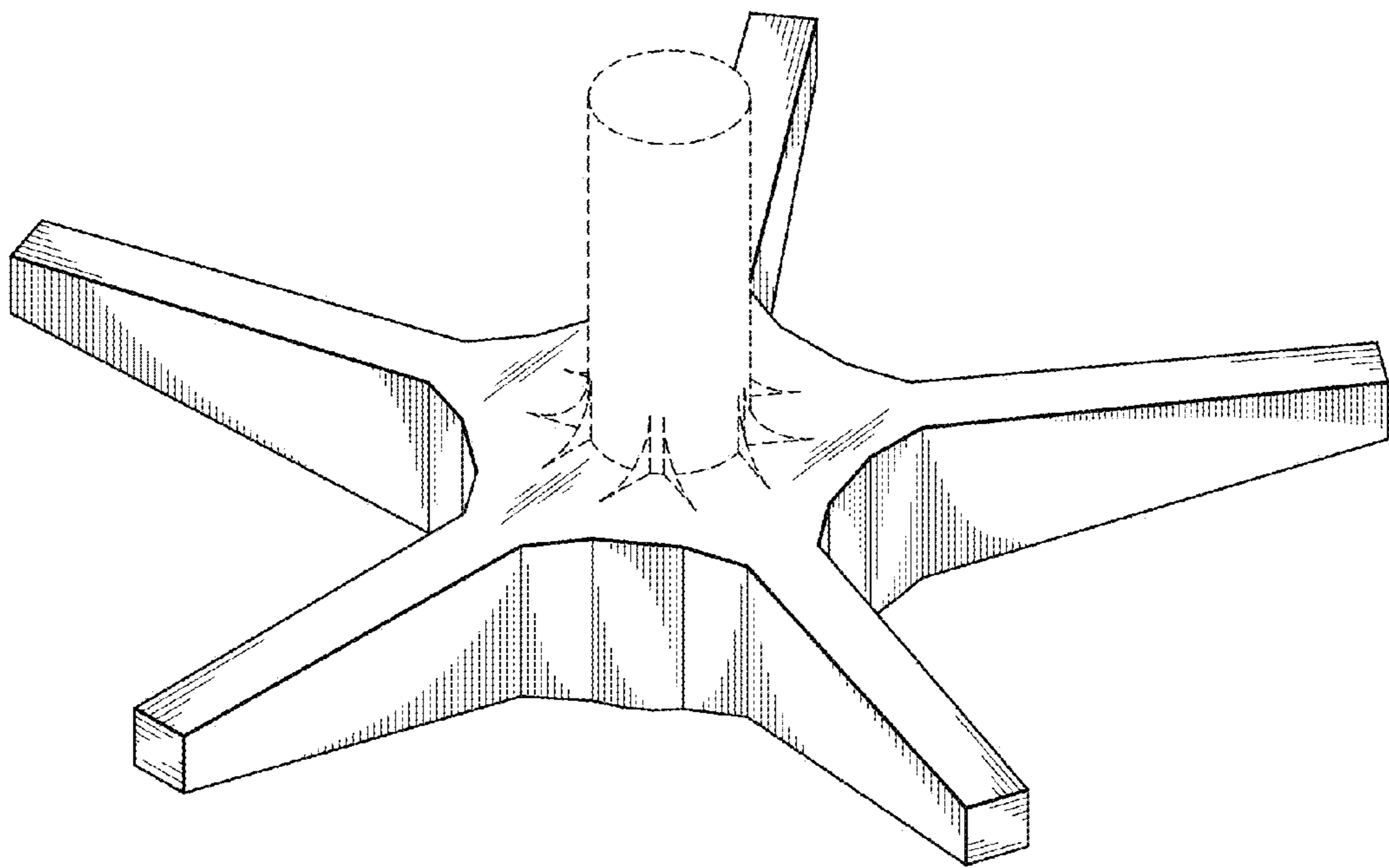
"TLP & Semi-Submersibles," © 2014 SBM Offshore, <<http://www.sbmoffshore.com/what-we-do/our-products/tlp-semisubmersibles/>> [retrieved Apr. 8, 2014], 1 page.

Williams, A.N., "Deepwater Offshore Floating Oil and Gas Production Platforms," Proceedings of the Fall Seminar Series, "Challenges and Innovation in Civil and Environmental Engineering," Notre Dame, Ind., Nov. 18, 2009, 44 pages.

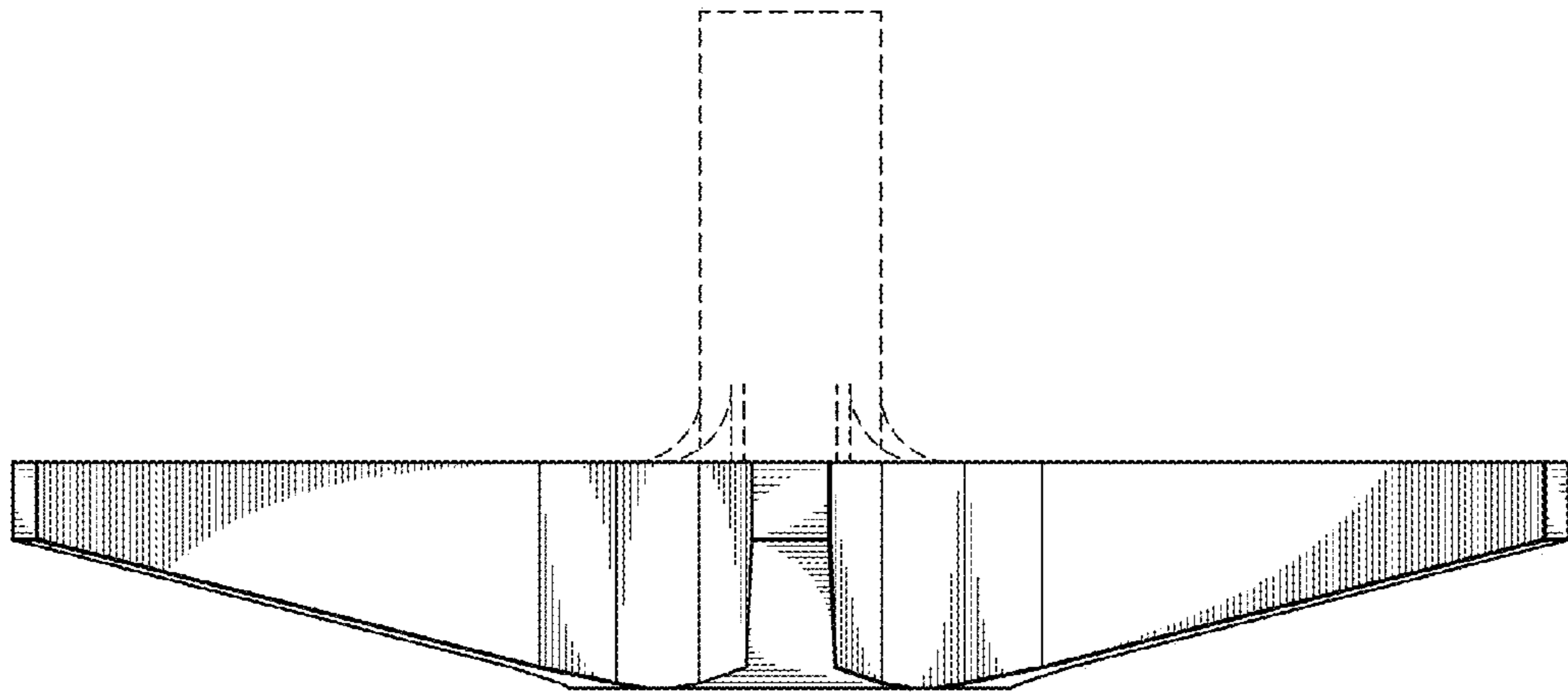
Williams, N., et al., "A Deepwater Dry-Tree GoM Solution: The FourStar TLP," Proceedings of the Offshore Technology Conference, Houston, Texas, May 3, 1999, Abstract only.

Williams, A.N., "TLP Concept Studied in Floating Wind Power Project," Offshore Wind Journal, 2nd Quarter 2013 (June), p. 27.

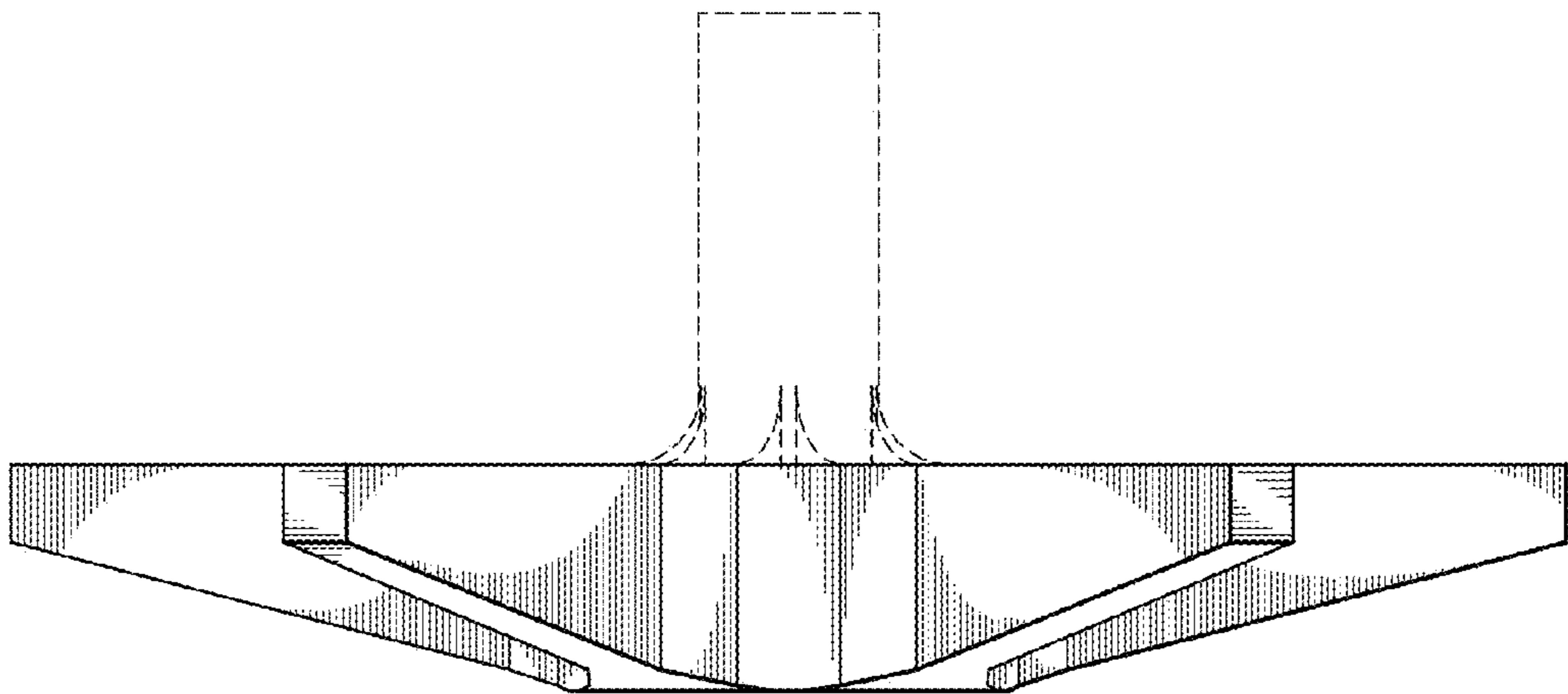
\* cited by examiner



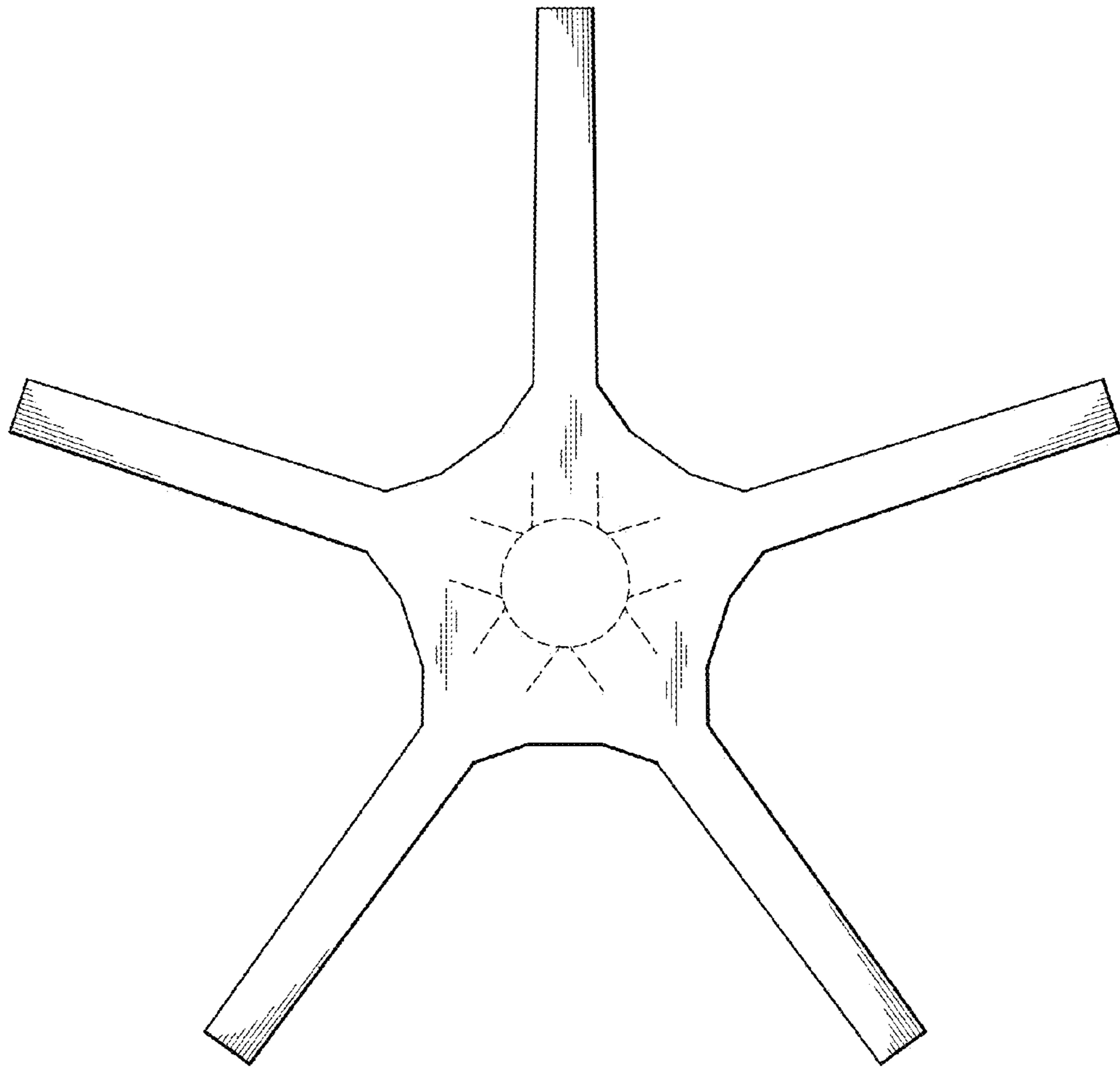
*Fig. 1.*



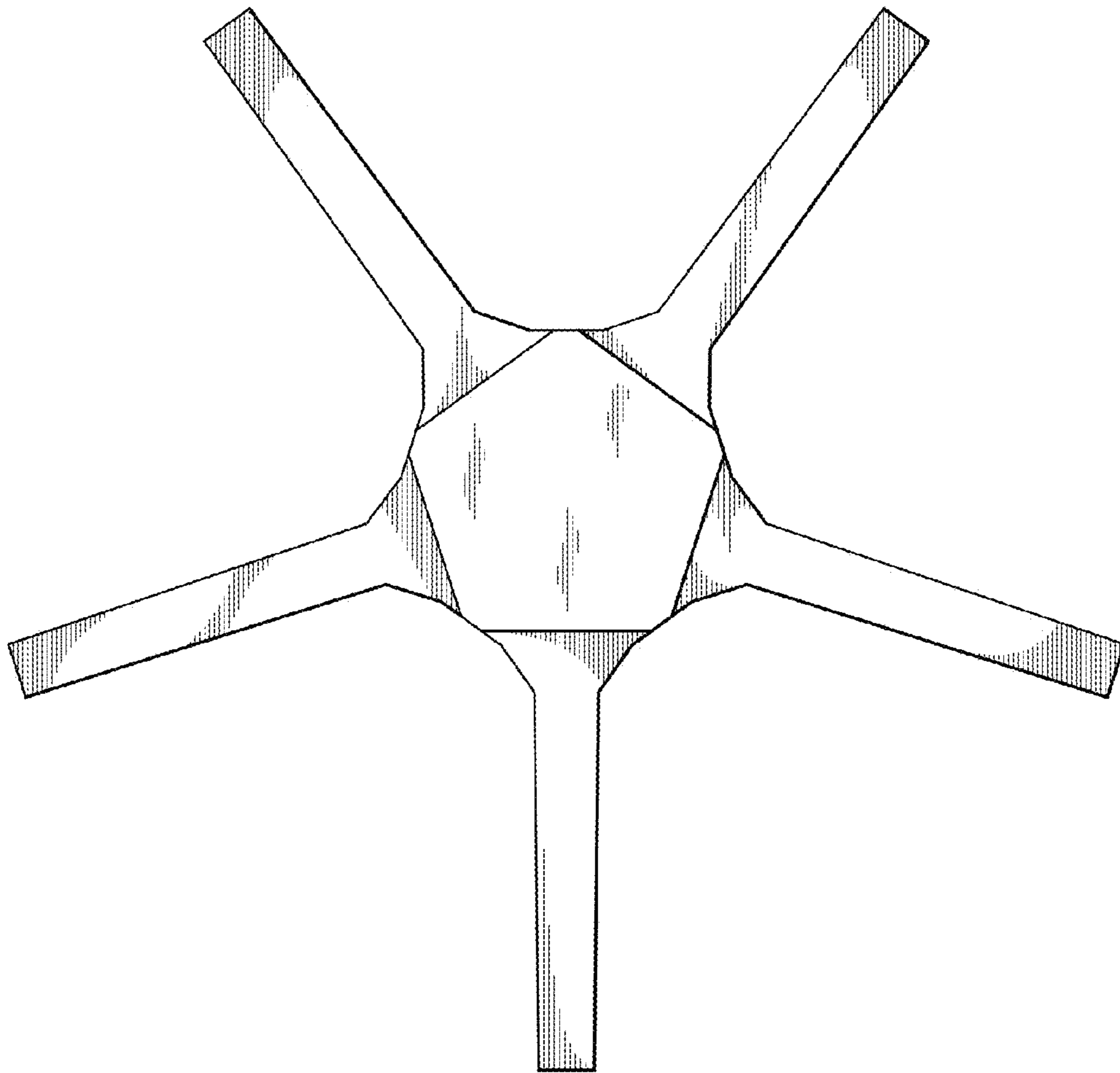
*Fig. 2.*



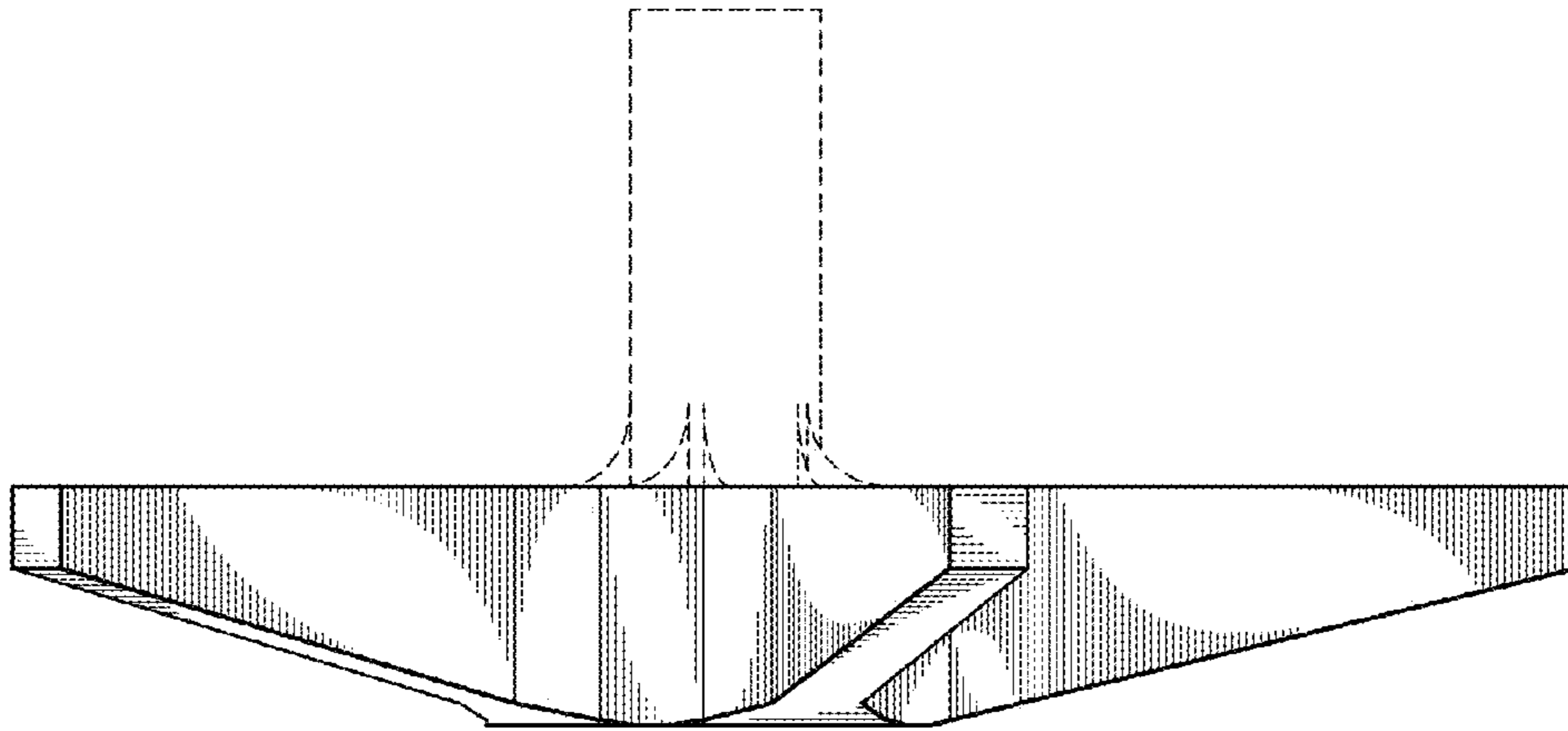
*Fig. 3.*



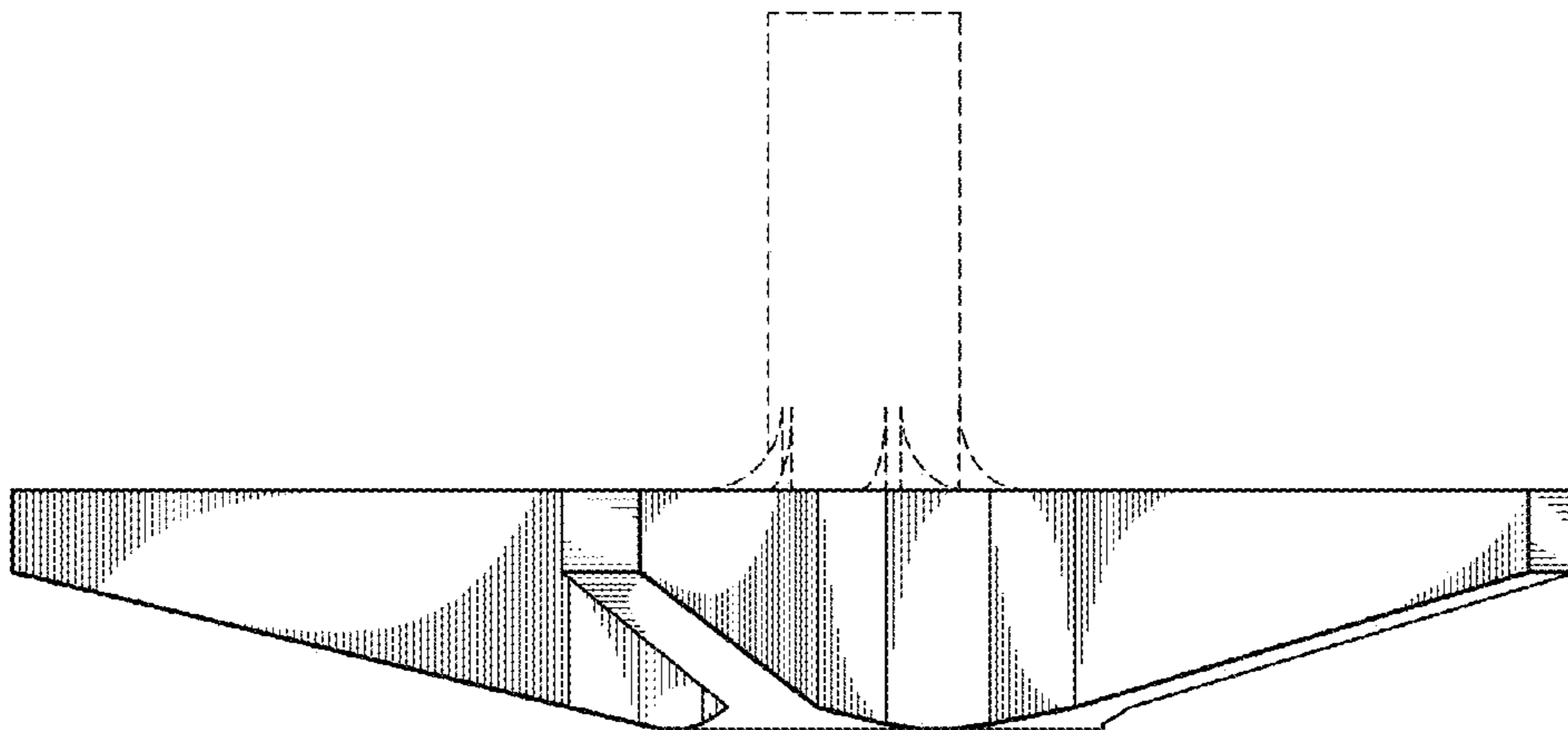
*Fig. 4.*



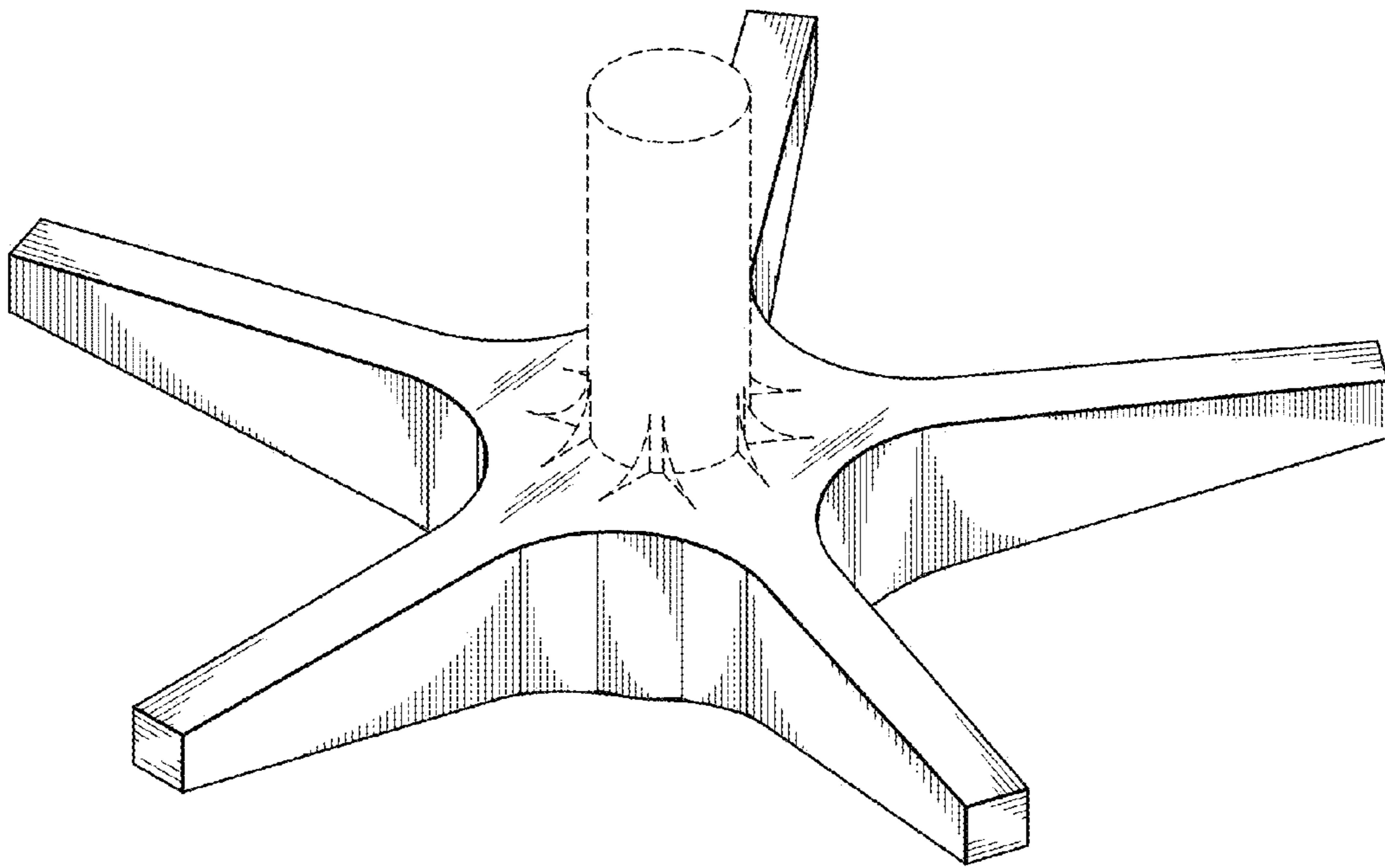
*Fig. 5.*



*Fig. 6.*

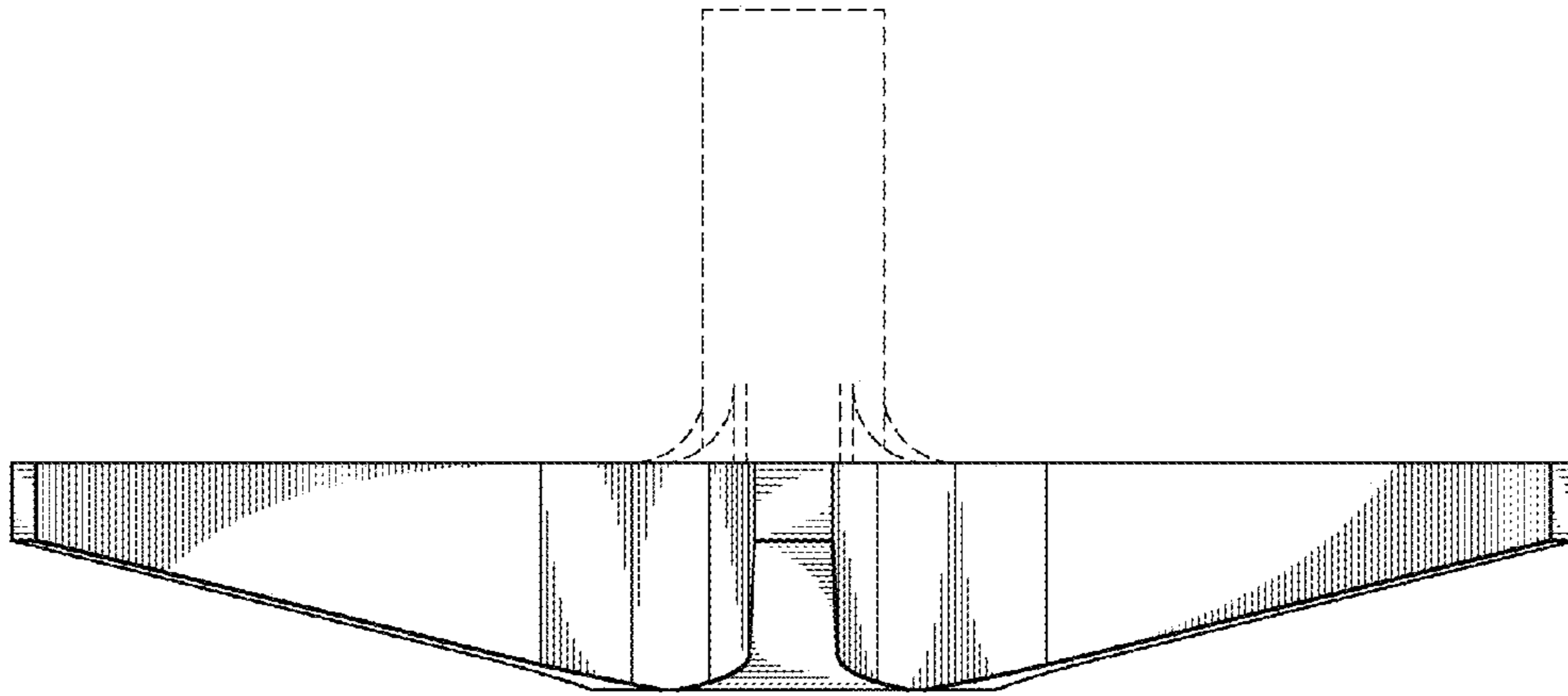


*Fig. 7.*

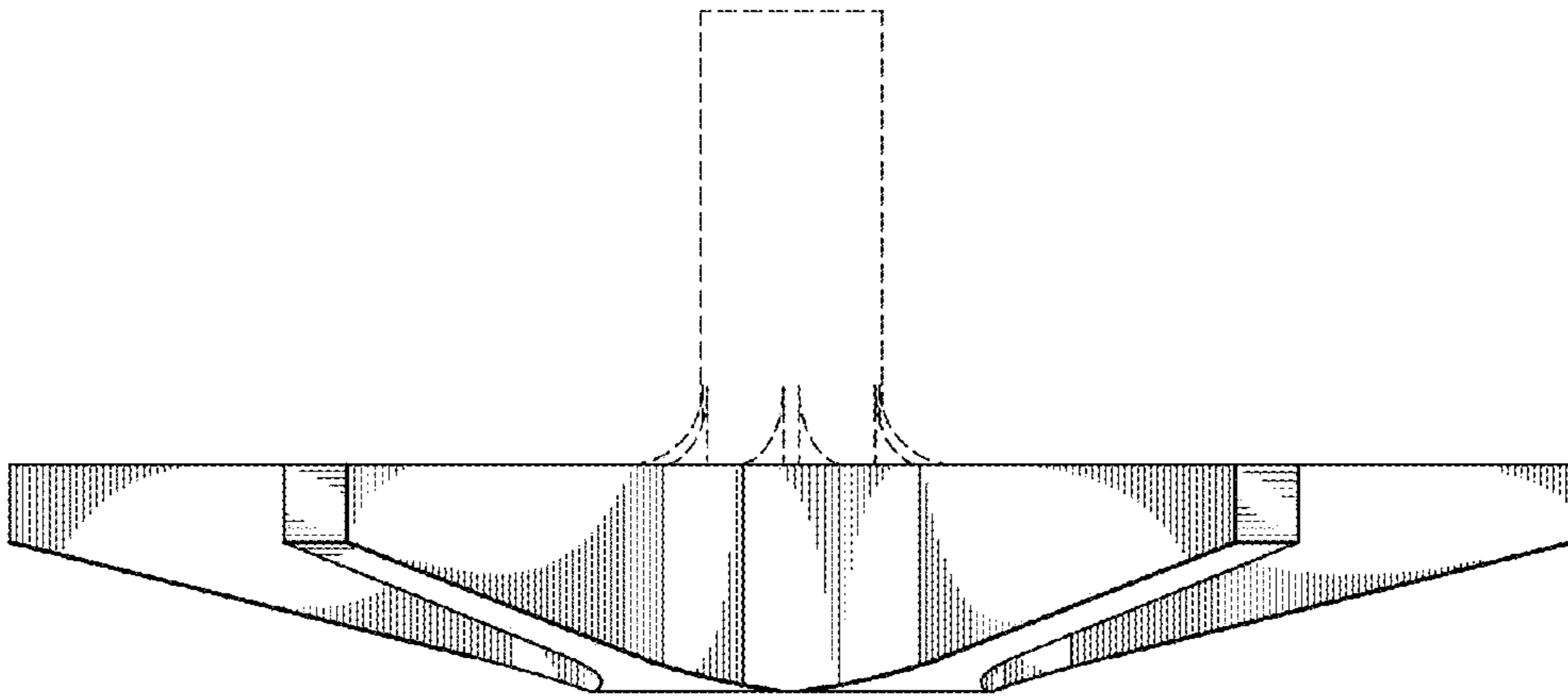


*Fig. 8.*

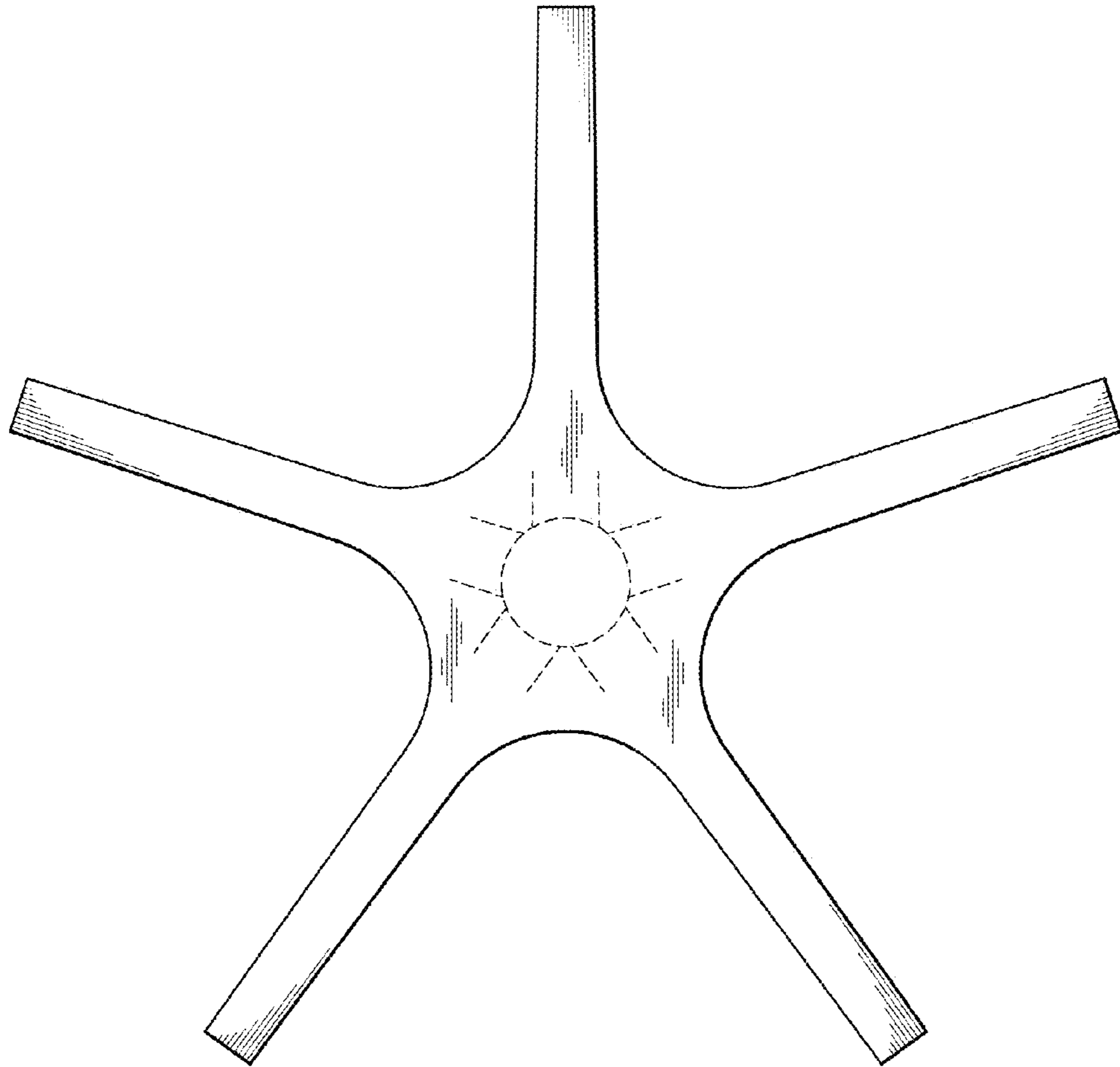




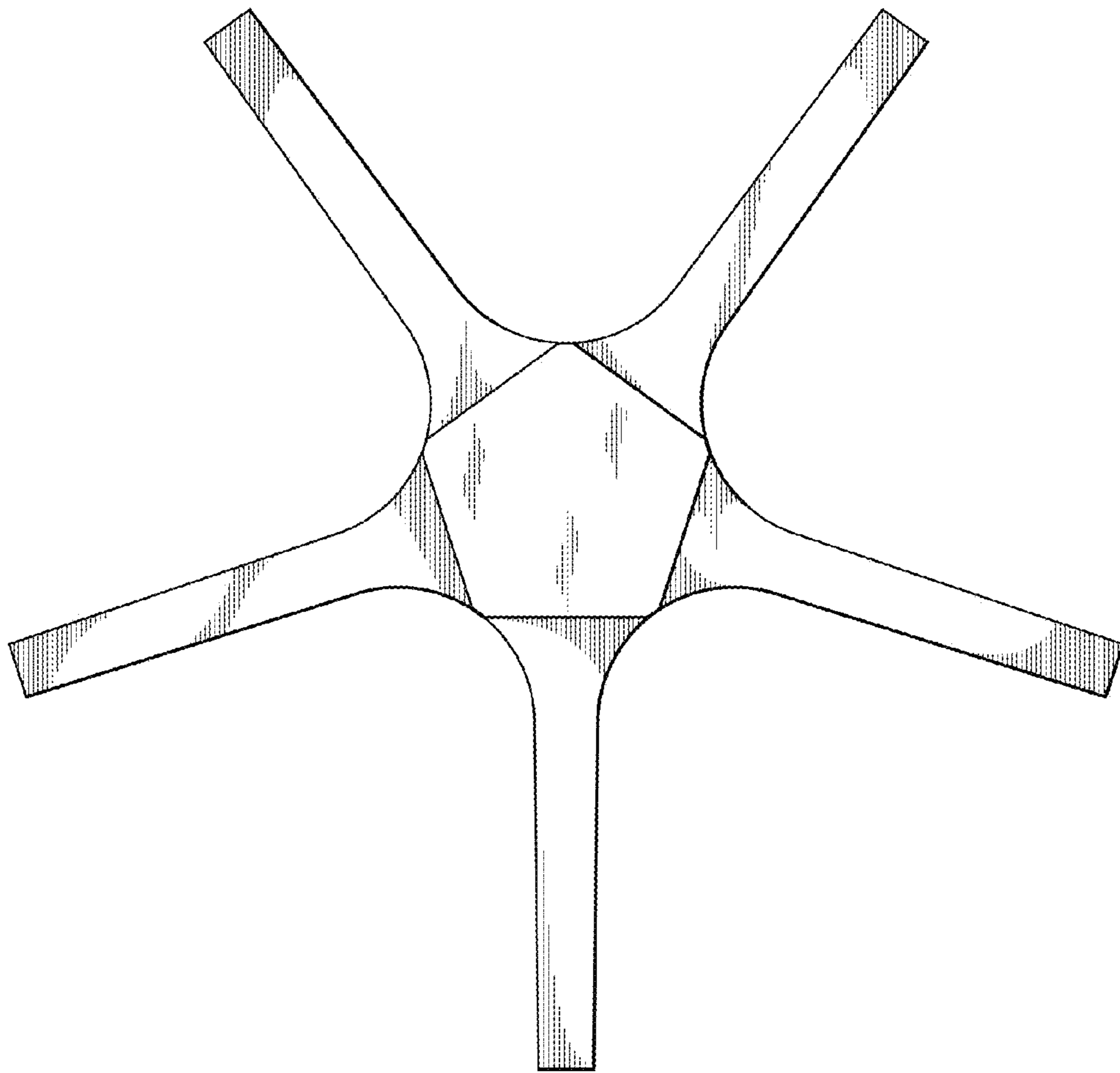
*Fig. 9.*



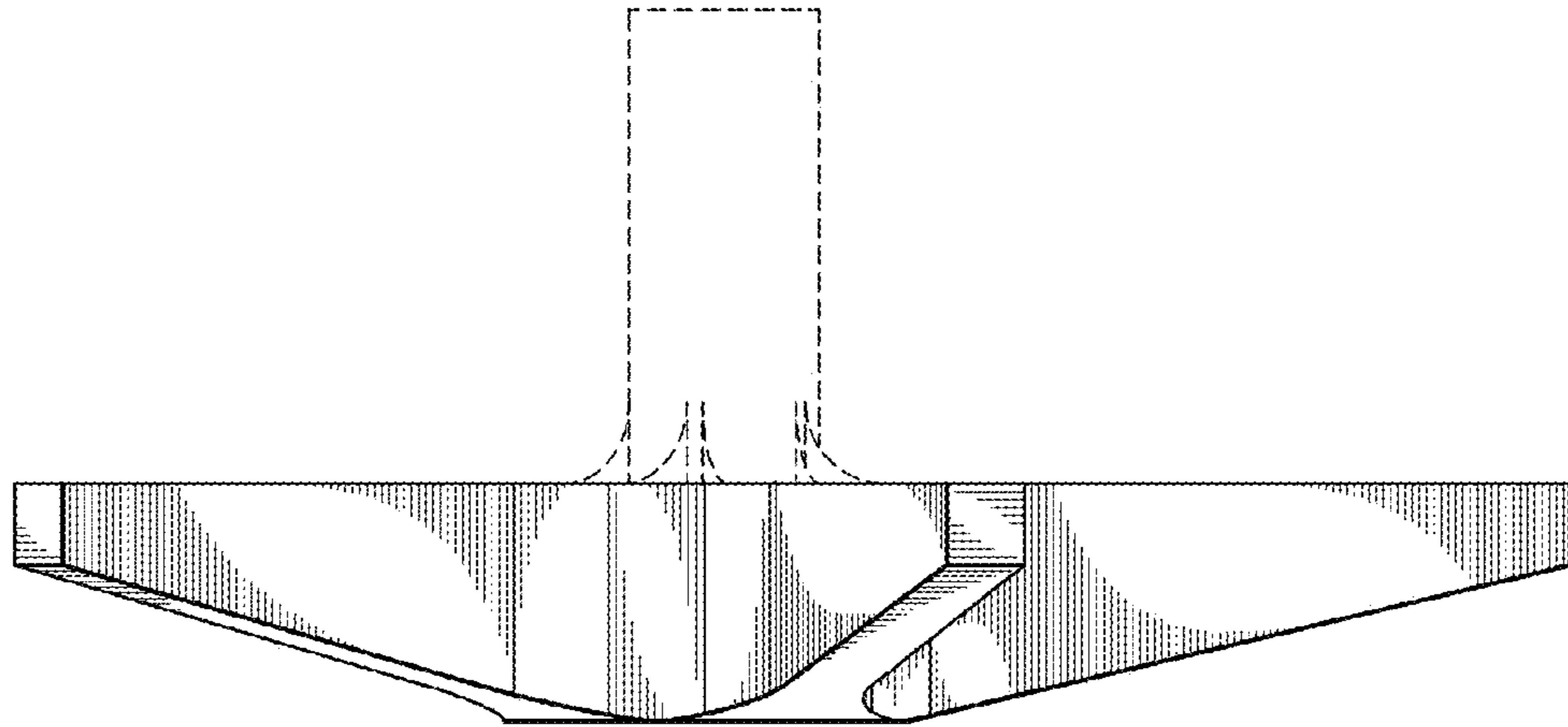
*Fig. 10.*



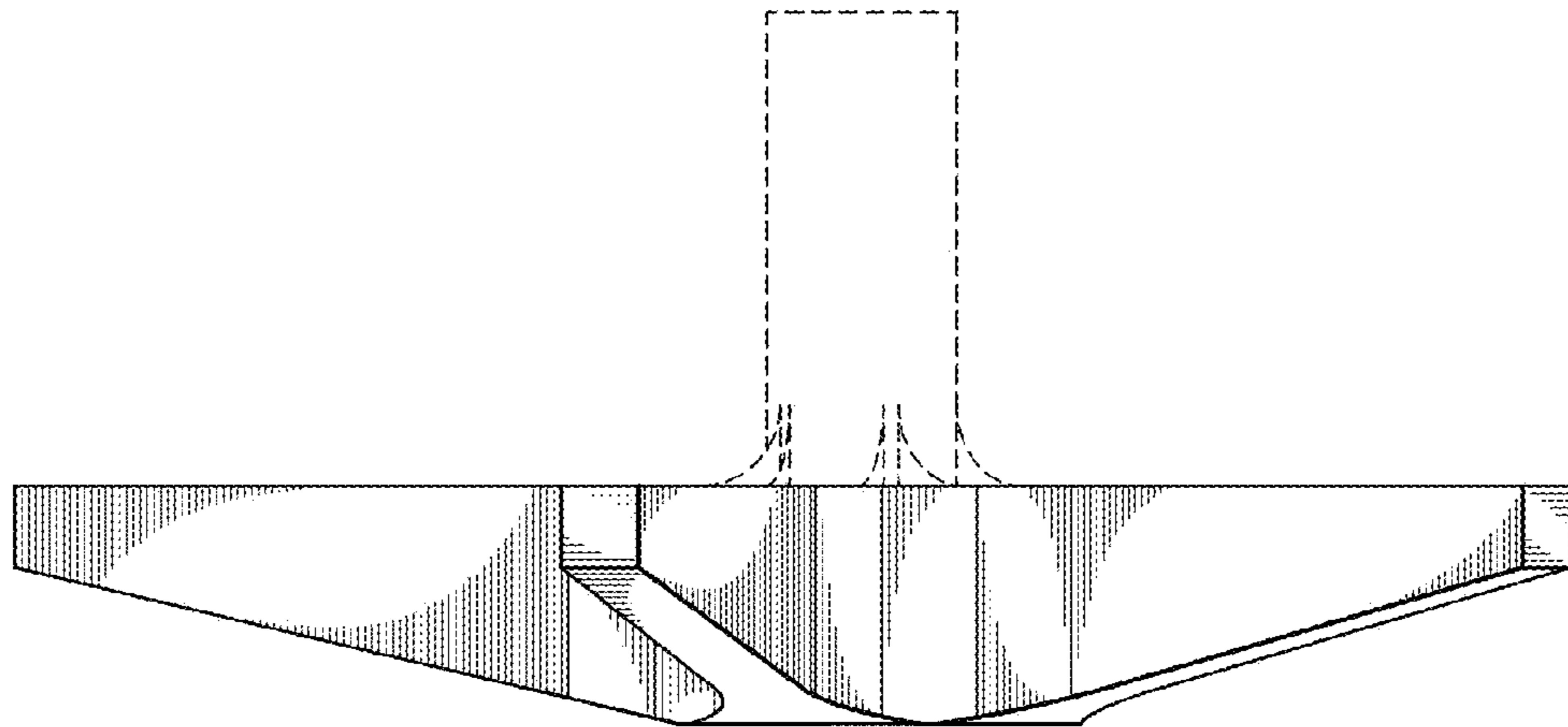
*Fig. 11.*



*Fig. 12.*



*Fig. 13.*



*Fig. 14.*