



US00D736958S

(12) **United States Design Patent**  
**Chaney et al.**

(10) **Patent No.:** **US D736,958 S**

(45) **Date of Patent:** **\*\* Aug. 18, 2015**

(54) **WINDOW COMPONENT EXTRUSION**

52/656.2, 656.7, 800.13, 717.01;  
49/DIG. 2, 504

(71) Applicant: **Deceuninck North America, LLC**,  
Monroe, OH (US)

See application file for complete search history.

(72) Inventors: **Michael T. Chaney**, Middletown, OH  
(US); **Jonathan C. Hauberg**,  
Centerville, OH (US); **Philip G.**  
**Morton**, Germantown, OH (US)

(56) **References Cited**

U.S. PATENT DOCUMENTS

D374,939 S \* 10/1996 DiGiorgio ..... D25/124  
6,173,541 B1 \* 1/2001 Petta ..... 52/204.5

\* cited by examiner

(73) Assignee: **Deceuninck North America, LLC**,  
Monroe, OH (US)

*Primary Examiner* — Doris Clark

(\*\*) Term: **14 Years**

(74) *Attorney, Agent, or Firm* — Jacox, Meckstroth &  
Jenkins

(21) Appl. No.: **29/481,590**

(57) **CLAIM**

The ornamental design of a window component extrusion, as  
shown and described.

(22) Filed: **Feb. 7, 2014**

**DESCRIPTION**

(51) **LOC (10) Cl.** ..... **25-01**

(52) **U.S. Cl.**

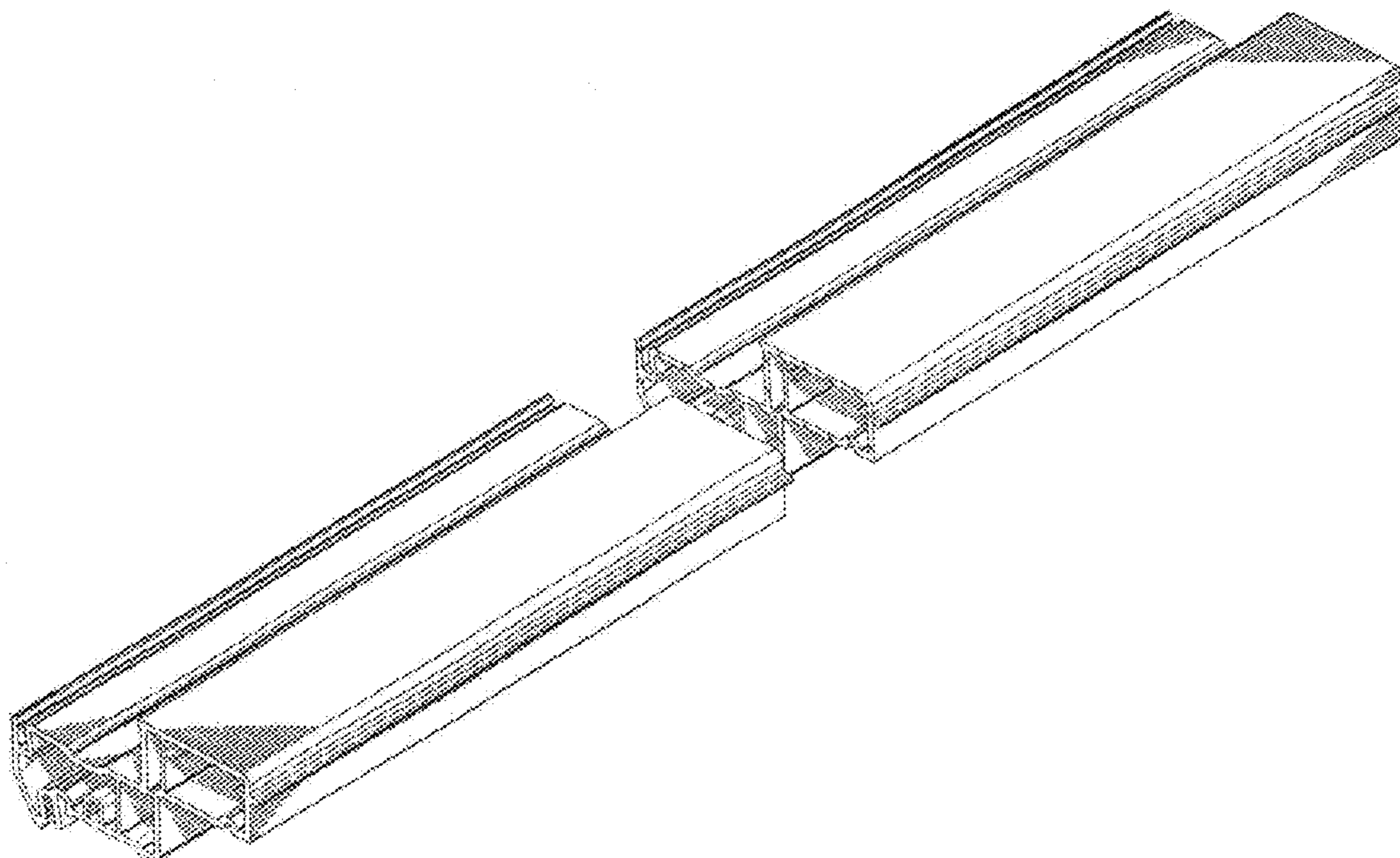
USPC ..... **D25/124**

(58) **Field of Classification Search**

USPC ..... D25/124; 52/204.1, 204.2, 204.5,  
52/204.51, 656.5, 656.6, 213, 215, 208,

FIG. 1 is a perspective view of a window component extru-  
sion, showing our new design, with a middle portion broken  
away to disclose indefinite length; and,  
FIG. 2 is an end view.

**1 Claim, 1 Drawing Sheet**



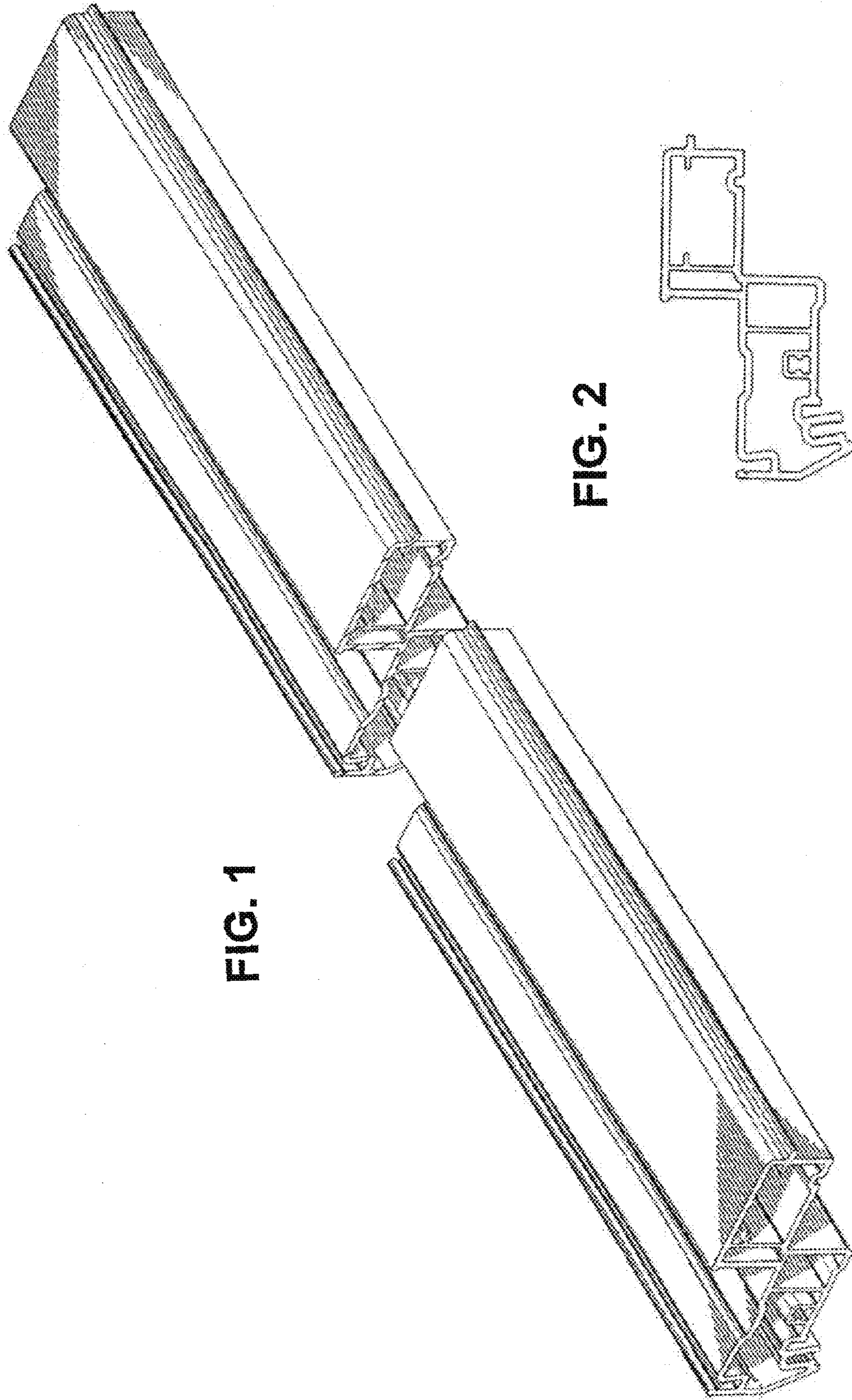


FIG. 1

FIG. 2