



US00D736955S

(12) **United States Design Patent**
Divall et al.

(10) **Patent No.:** **US D736,955 S**

(45) **Date of Patent:** **** Aug. 18, 2015**

(54) **GATE FRAME EXTRUSION**

(71) Applicants: **Alan David Divall**, Ashmore (AU);
Darren Paul Galway, Yatala (AU)

(72) Inventors: **Alan David Divall**, Ashmore (AU);
Darren Paul Galway, Yatala (AU)

(**) Term: **14 Years**

(21) Appl. No.: **29/475,757**

(22) Filed: **Dec. 6, 2013**

(30) **Foreign Application Priority Data**

Jun. 7, 2013 (AU) 12661/2013

(51) **LOC (10) Cl.** **25-01**

(52) **U.S. Cl.**
USPC **D25/122**

(58) **Field of Classification Search**

USPC D25/119, 199, 58, 61, 121, 136;
52/11-15, 459, 460, 464, 474, 716.1,
52/716.6, 716.8, 718.04, 717.06, 204.1,
52/204.5, 656.6, 309.2, 656.1, 330, 301,
52/169.13; 49/DIG. 2, 504, 505
CPC E04B 1/00; E04B 2/00; E04B 2/30;
E04B 2/94; F04C 2/26; E04C 2/38; E04H
5/00; E04H 5/08; E04H 17/00
See application file for complete search history.

(56) **References Cited**

U.S. PATENT DOCUMENTS

2,024,192	A *	12/1935	Verhagen	49/489.1
3,027,984	A *	4/1962	Dunn	160/392
4,640,048	A *	2/1987	Winner et al.	49/181
4,712,331	A *	12/1987	Fujiwara	49/489.1
5,657,591	A *	8/1997	Kitada	52/204.71
D424,213	S *	5/2000	Chaney et al.	D25/122
D616,568	S *	5/2010	Desrosiers et al.	D25/60
D666,329	S *	8/2012	Morton	D25/122
D673,305	S *	12/2012	Cochrane	D25/122
D702,875	S *	4/2014	Klus	D26/138

* cited by examiner

Primary Examiner — Prabhakar Deshmukh

(74) *Attorney, Agent, or Firm* — Marshall, Gerstein & Borun LLP

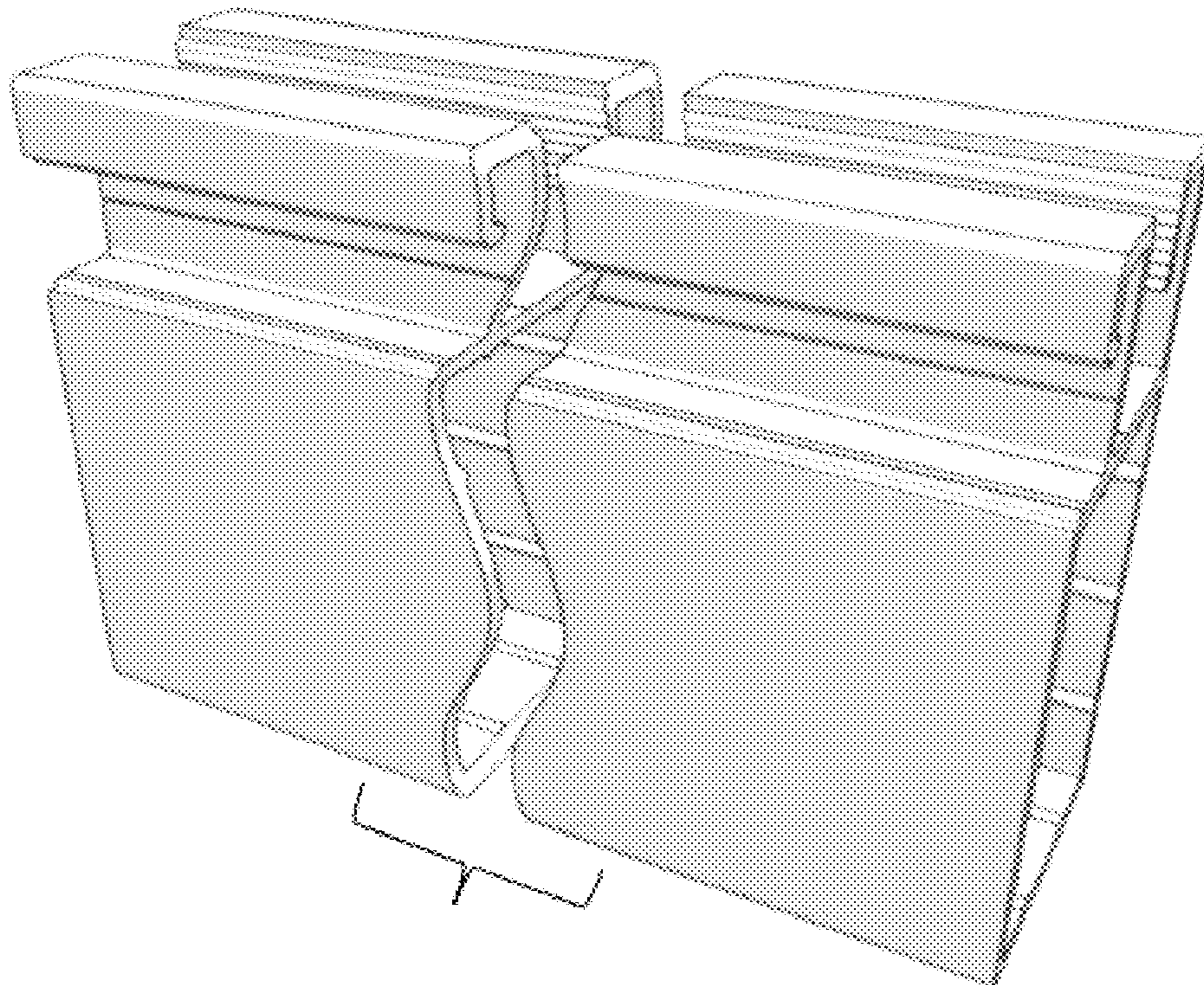
(57) **CLAIM**

The ornamental design for a gate frame extrusion, as shown and described.

DESCRIPTION

FIG. 1 is a top and rear perspective view of a gate frame extrusion showing our new design;
FIG. 2 is a top and front perspective view thereof;
FIG. 3 is a top, front and left perspective view thereof; and,
FIG. 4 is a top, rear and right perspective view thereof.
The bottom is flat and unornamented and forms no part of the claimed design. The portion of the gate frame extrusion is cut away to indicate that no specific length is claimed.

1 Claim, 2 Drawing Sheets



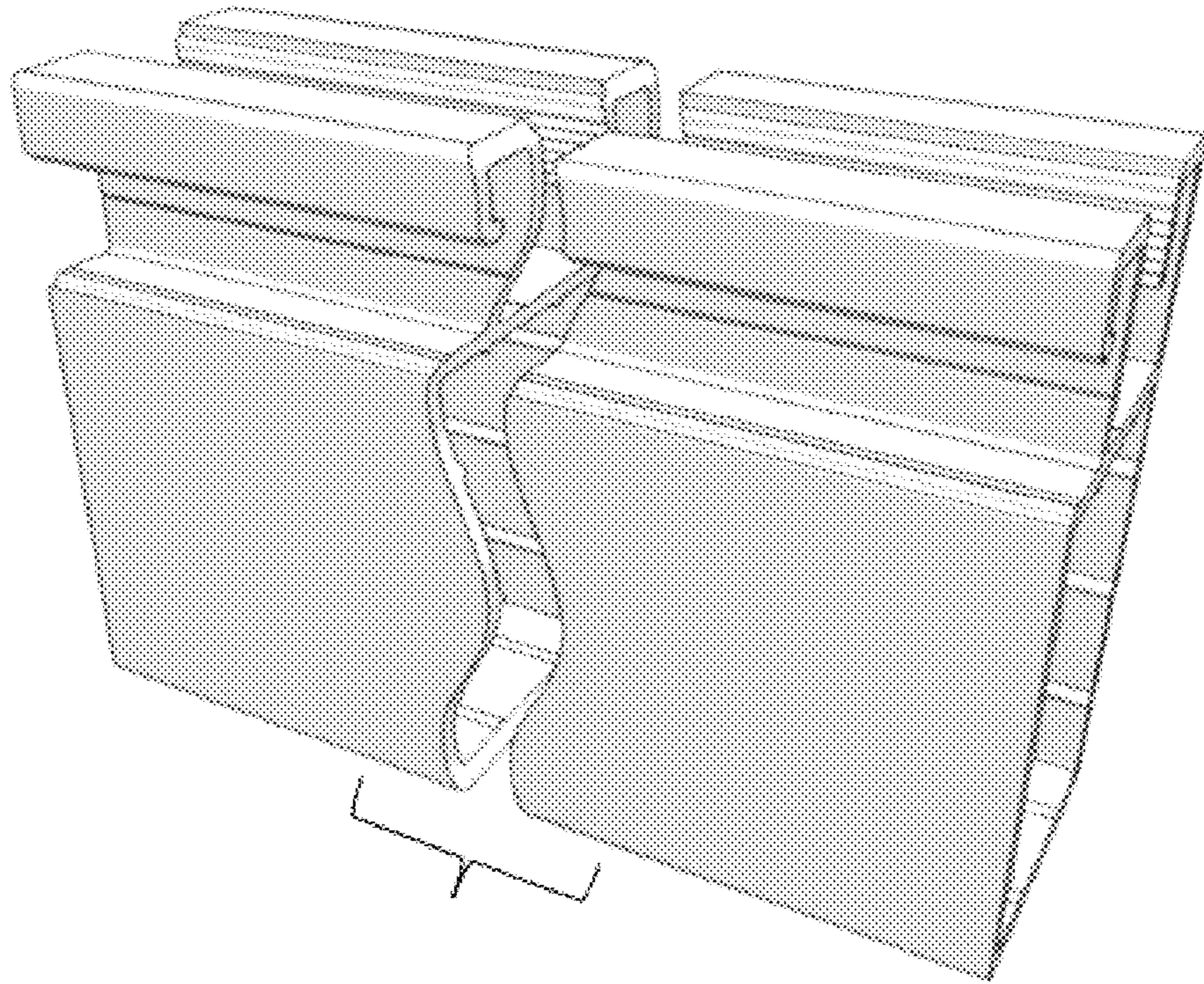


Fig. 1

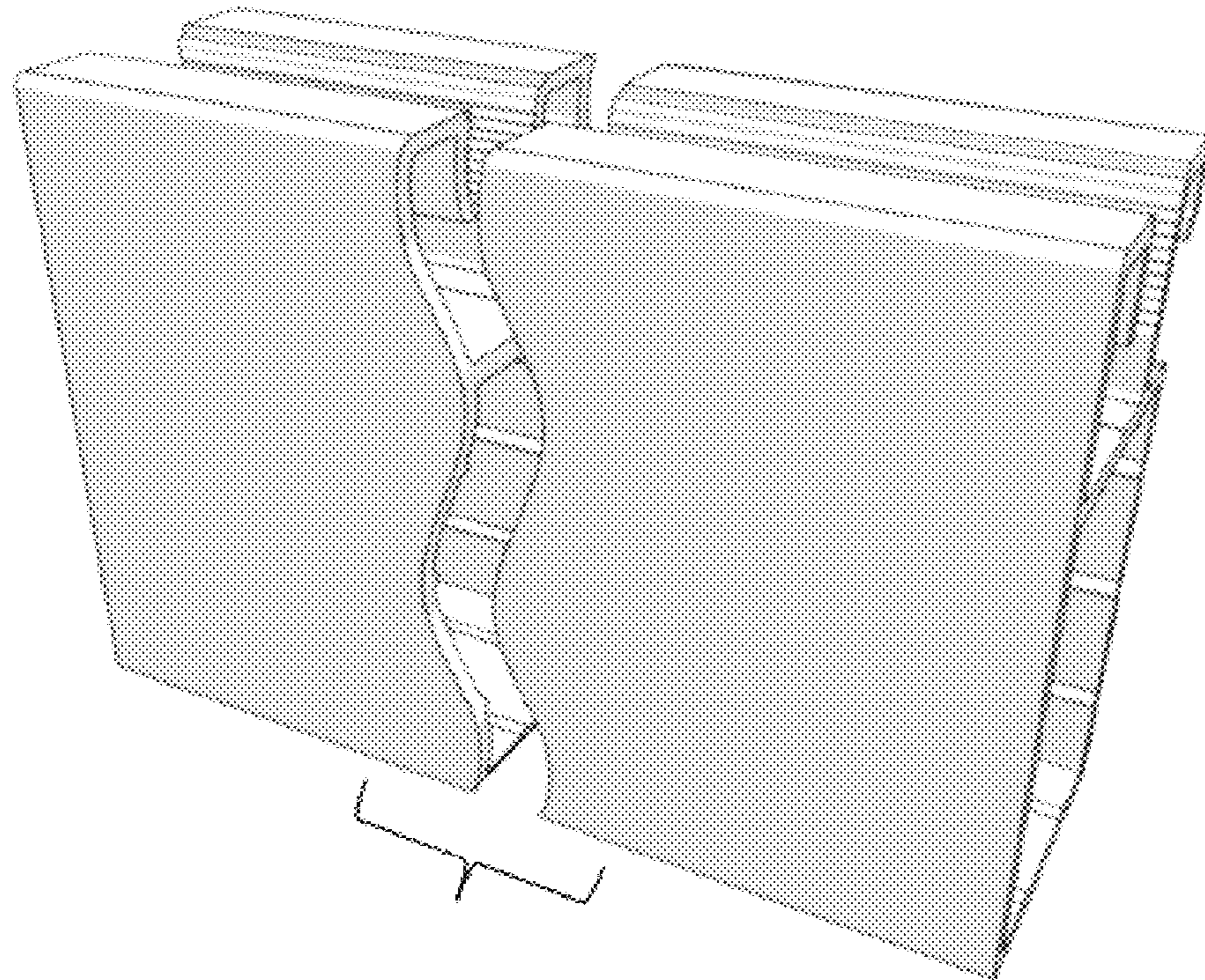


Fig. 2

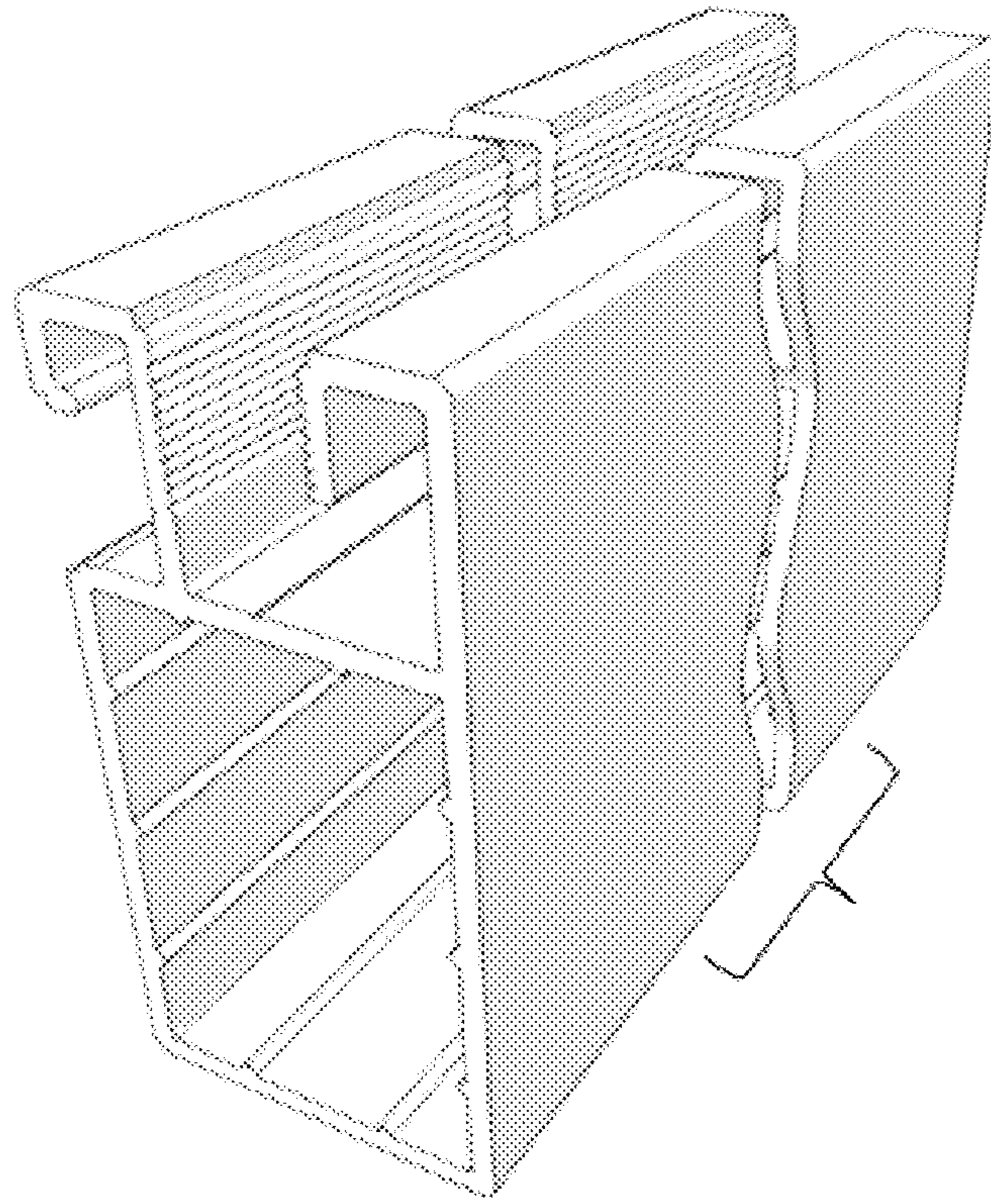


Fig. 3

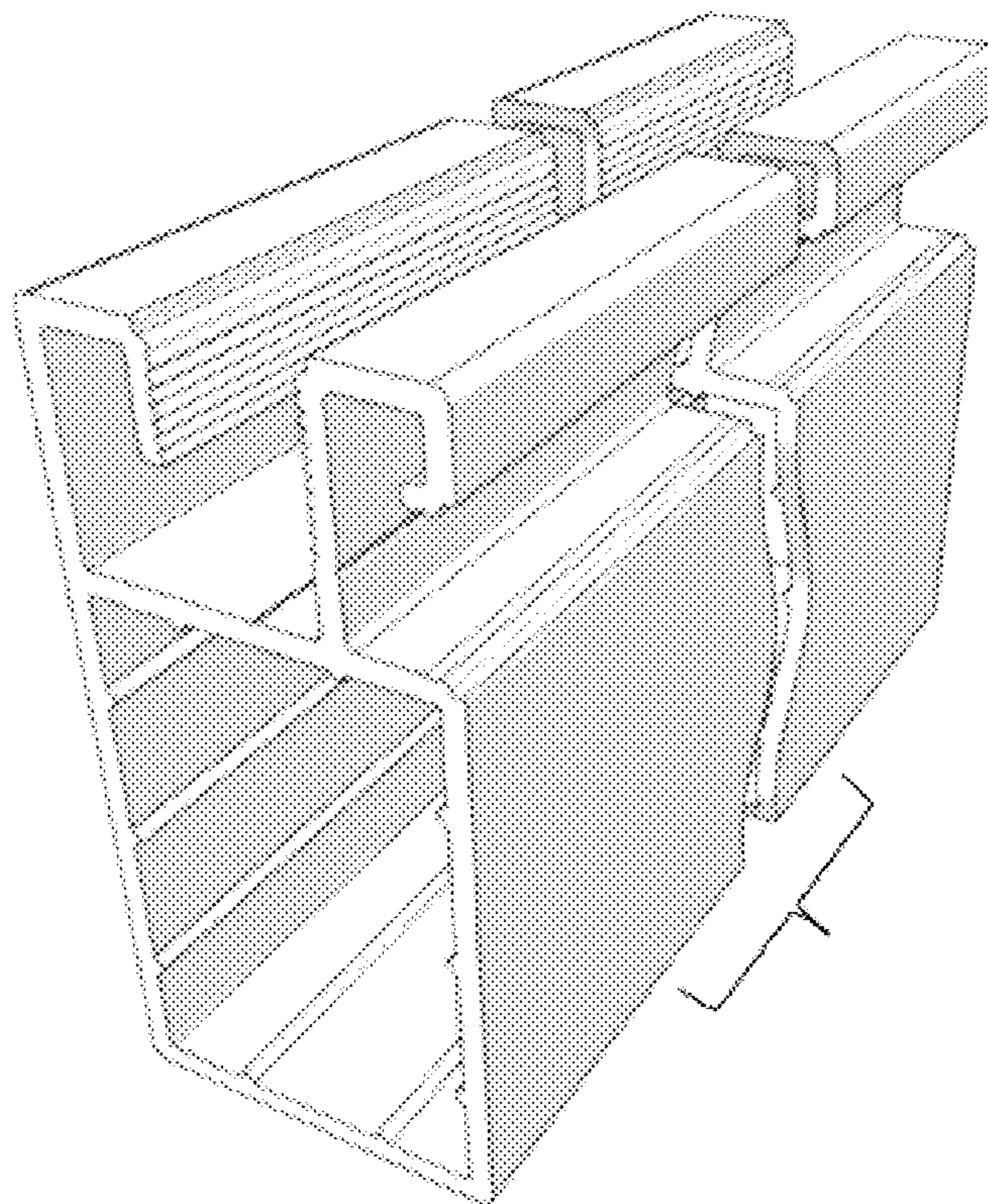


Fig. 4