



US00D736954S

(12) **United States Design Patent**
Krause

(10) **Patent No.:** **US D736,954 S**

(45) **Date of Patent:** **** Aug. 18, 2015**

(54) **BRACKET MEMBER FOR EXTERIOR CLADDING SYSTEMS**

- (71) Applicant: **G Matt Krause**, Allegan, MI (US)
- (72) Inventor: **G Matt Krause**, Allegan, MI (US)
- (73) Assignee: **Krause A2P, LLC**, Allegan, MI (US)
- (**) Term: **14 Years**
- (21) Appl. No.: **29/485,718**
- (22) Filed: **Mar. 21, 2014**

Related U.S. Application Data

- (63) Continuation-in-part of application No. 13/763,915, filed on Feb. 11, 2013, now Pat. No. 8,833,025, which is a continuation-in-part of application No. 12/984,051, filed on Jan. 4, 2011, now Pat. No. 8,826,620.
- (51) **LOC (10) Cl.** **25-01**
- (52) **U.S. Cl.**
USPC **D25/119**
- (58) **Field of Classification Search**
USPC D25/119, 121, 56, 48.8, 120, 122;
52/507, 581, 579, 650.3, 656.8, 673,
52/674, 578, 87, 235, 506.05-508.09,
52/483.1, 489.1; 135/117.906
CPC E04B 1/00; E04B 1/32; E04B 2/00;
E04B 7/00; E04B 9/00; E06B 1/04; E06B
1/12; E06B 1/20; E06B 5/00; E04F 13/08;
E04F 13/12; E04F 13/0817
See application file for complete search history.

(56) **References Cited**

U.S. PATENT DOCUMENTS

4,346,543	A *	8/1982	Wilson et al.	52/404.2
D283,353	S *	4/1986	Bancroft	D25/119
D317,513	S *	6/1991	Miller et al.	D26/140
5,715,634	A *	2/1998	Schultz	52/200
D398,708	S *	9/1998	Opielski et al.	D25/119
5,799,461	A *	9/1998	Dittemore	52/588.1
6,341,458	B1 *	1/2002	Burt	52/287.1
D525,370	S *	7/2006	Levi-Senigaglia	D25/119
D679,419	S *	4/2013	Gori et al.	D25/119
D693,484	S *	11/2013	Krieger	D25/119
D700,717	S *	3/2014	Campacci	D25/119

* cited by examiner

Primary Examiner — Prabhakar Deshmukh

(74) *Attorney, Agent, or Firm* — The Watson I.P. Group, PLC; Jovan N. Jovanovic; Vladan M. Vasiljevic

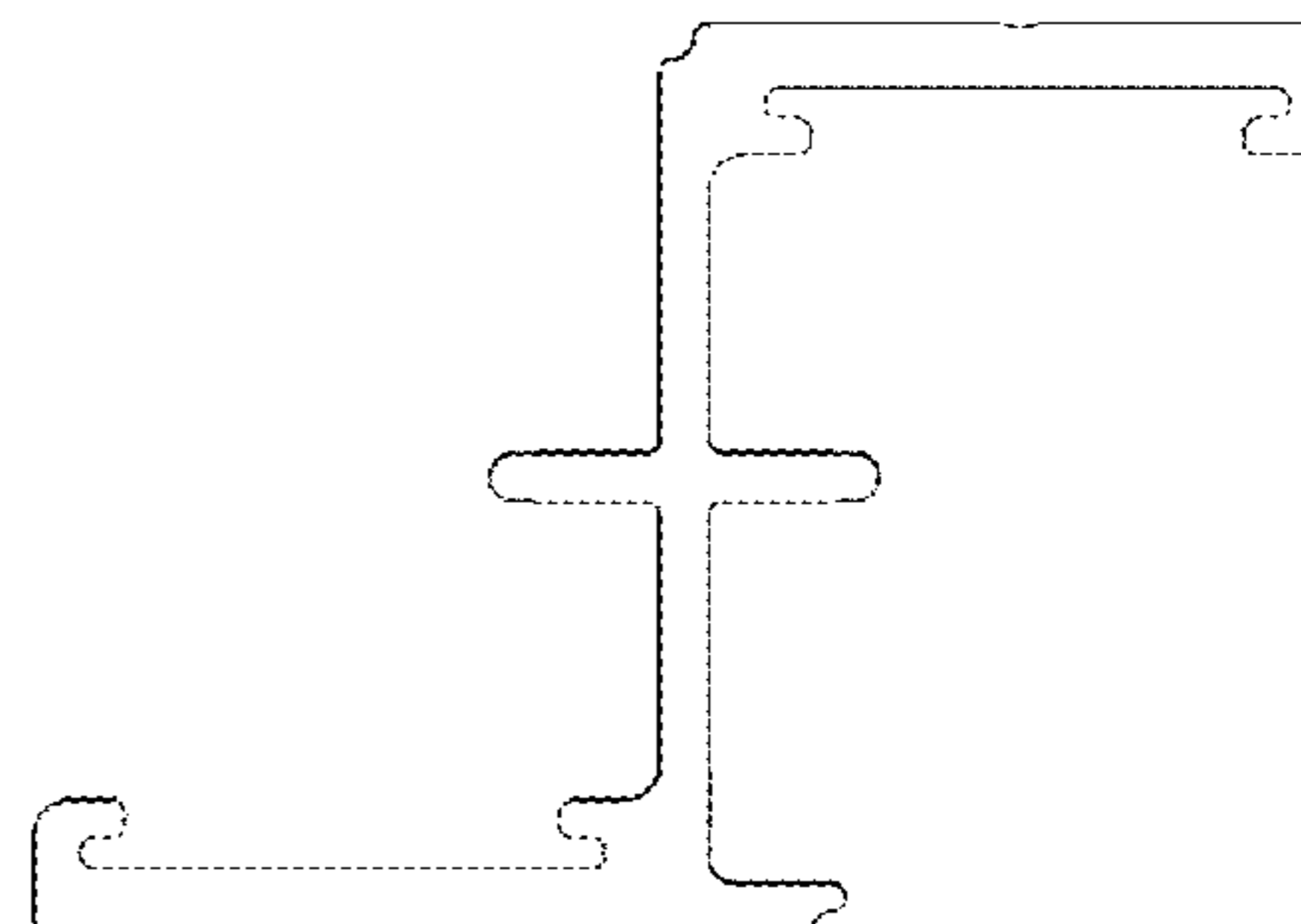
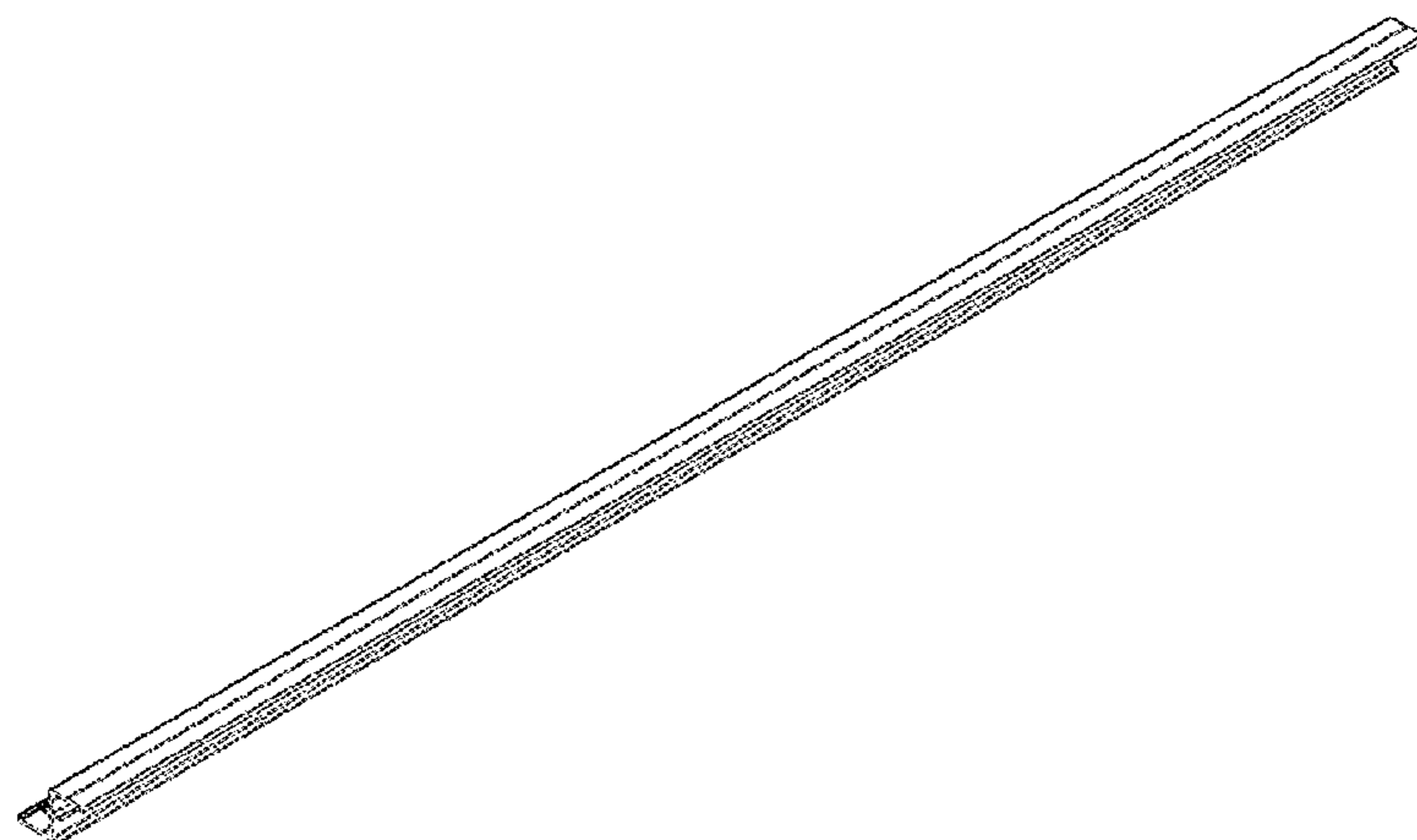
(57) **CLAIM**

The ornamental design for a bracket member for exterior cladding systems, as shown and described.

DESCRIPTION

FIG. 1 is a perspective view of a bracket member for exterior cladding systems showing my new design;
 FIG. 2 is an enlarged front elevational view thereof;
 FIG. 3 is a right side elevational view thereof;
 FIG. 4 is an enlarged rear elevational view thereof;
 FIG. 5 is a top plan view thereof;
 FIG. 6 is a left side elevational view thereof; and,
 FIG. 7 is a bottom plan view thereof.

1 Claim, 7 Drawing Sheets



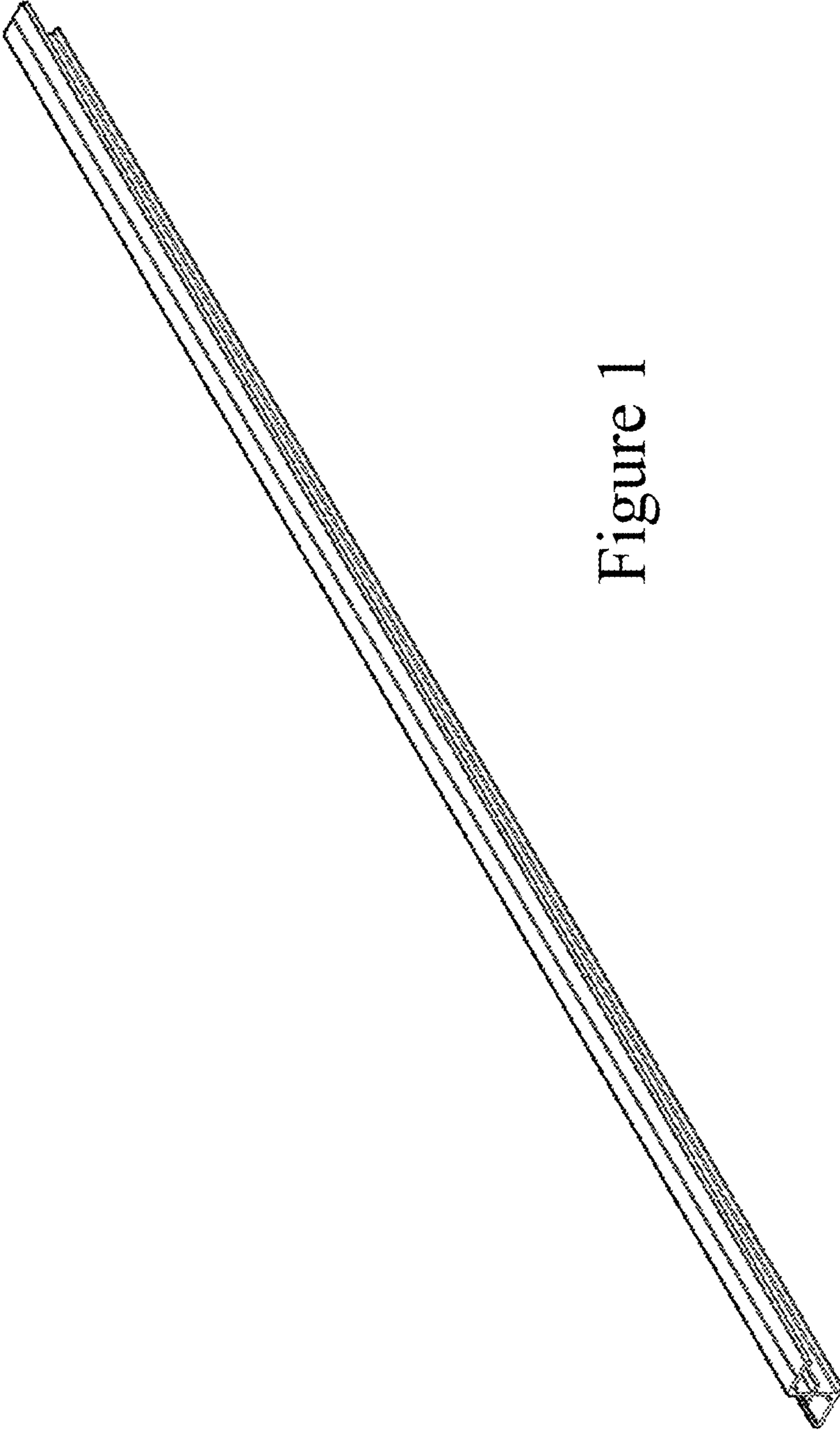


Figure 1

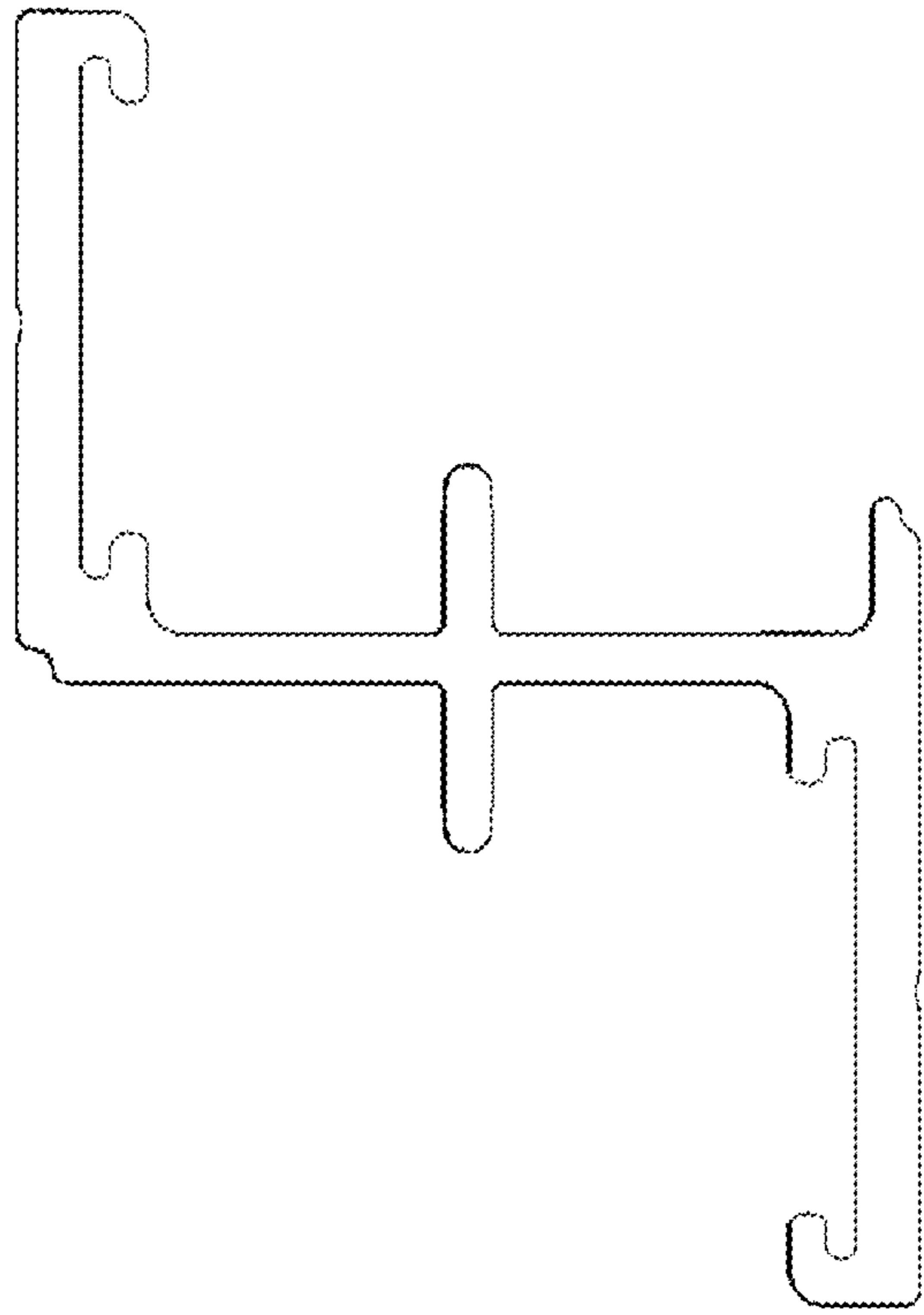


Figure 2

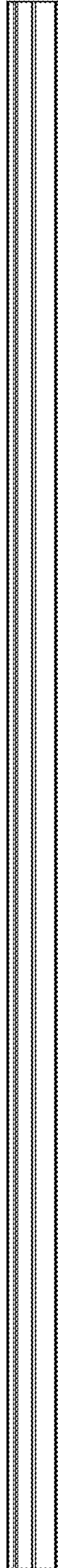


Figure 3

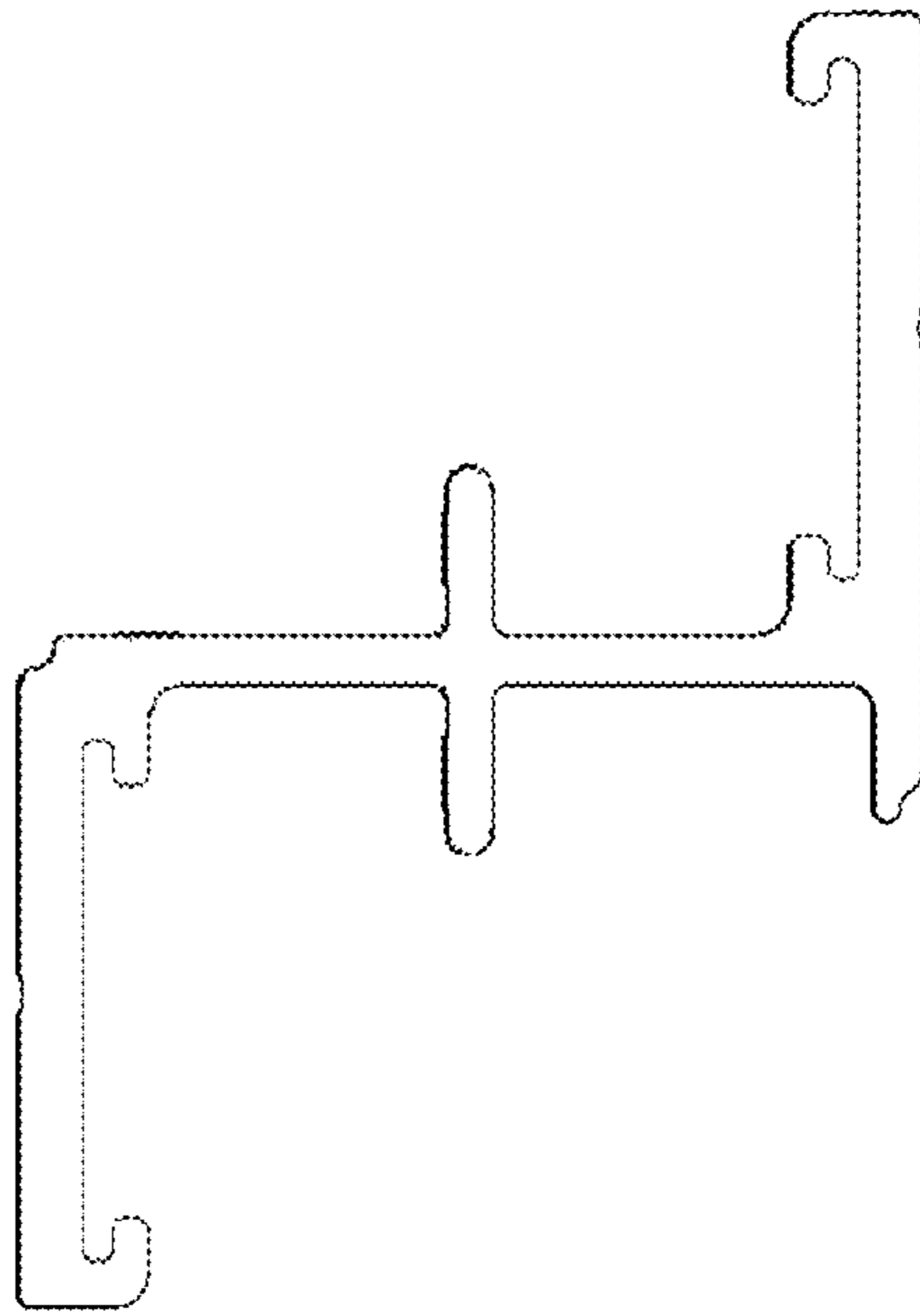
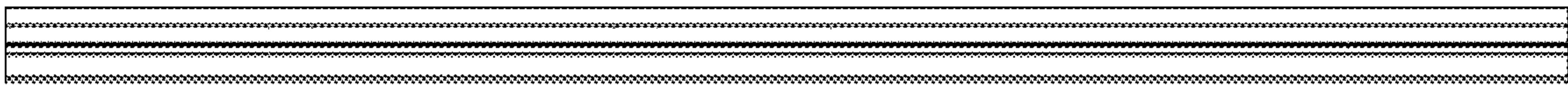


Figure 4

Figure 5



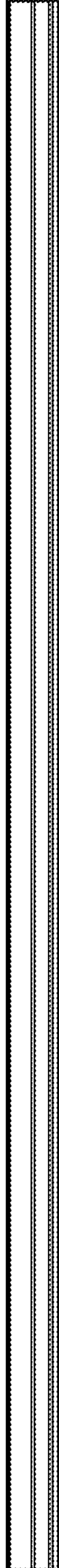


Figure 6

Figure 7

