

US00D736950S

(12) **United States Design Patent**  
**Dar et al.**

(10) **Patent No.:** **US D736,950 S**  
(45) **Date of Patent:** **\*\* Aug. 18, 2015**

- (54) **MULTIMEDIA BOOTH**
- (71) Applicants: **Omer Dar**, Budapest (HU); **Avner Moratt**, Roswell, GA (US); **Itai Peer**, Roswell, GA (US)
- (72) Inventors: **Omer Dar**, Budapest (HU); **Avner Moratt**, Roswell, GA (US); **Itai Peer**, Roswell, GA (US)
- (73) Assignee: **IAO, LLC**, Roswell, GA (US)
- (\*\*) Term: **14 Years**
- (21) Appl. No.: **29/468,699**
- (22) Filed: **Oct. 2, 2013**
- (51) **LOC (10) Cl.** ..... **25-03**
- (52) **U.S. Cl.**  
USPC ..... **D25/16**
- (58) **Field of Classification Search**  
USPC ..... D25/1-35; 52/36.1, 169.6, 79.1-79.6,  
52/80.1, 80.2, 90.1, 90.2, 91.1-91.3,  
52/92.1-92.3, 93.2  
See application file for complete search history.

D638,551	S *	5/2011	Gann	.....	D25/16
D641,090	S *	7/2011	Clark	.....	D25/16
D692,474	S *	10/2013	Thorpe	.....	D16/215
2002/0060124	A1 *	5/2002	Thompson	.....	194/350
2009/0266005	A1 *	10/2009	Snel	.....	52/79.1
2010/0070341	A1 *	3/2010	Teles Da Silva et al.	.....	705/10
2010/0070413	A1 *	3/2010	Teles Da Silva et al.	.....	705/43
2010/0076893	A1 *	3/2010	Anselmo Pereira et al.	...	705/71
2010/0170424	A1 *	7/2010	Pinho	.....	109/50
2013/0160682	A1 *	6/2013	Tavares De Pinho	.....	109/36
2013/0185181	A1 *	7/2013	Rodrigues et al.	.....	705/35
2013/0233211	A1 *	9/2013	Tavares de Pinho	.....	109/51

\* cited by examiner

*Primary Examiner* — Ian Simmons  
*Assistant Examiner* — Samantha Q Lawrence  
(74) *Attorney, Agent, or Firm* — Eliezer IP

(57) **CLAIM**  
The ornamental design for a multimedia booth, as shown and described.

**DESCRIPTION**

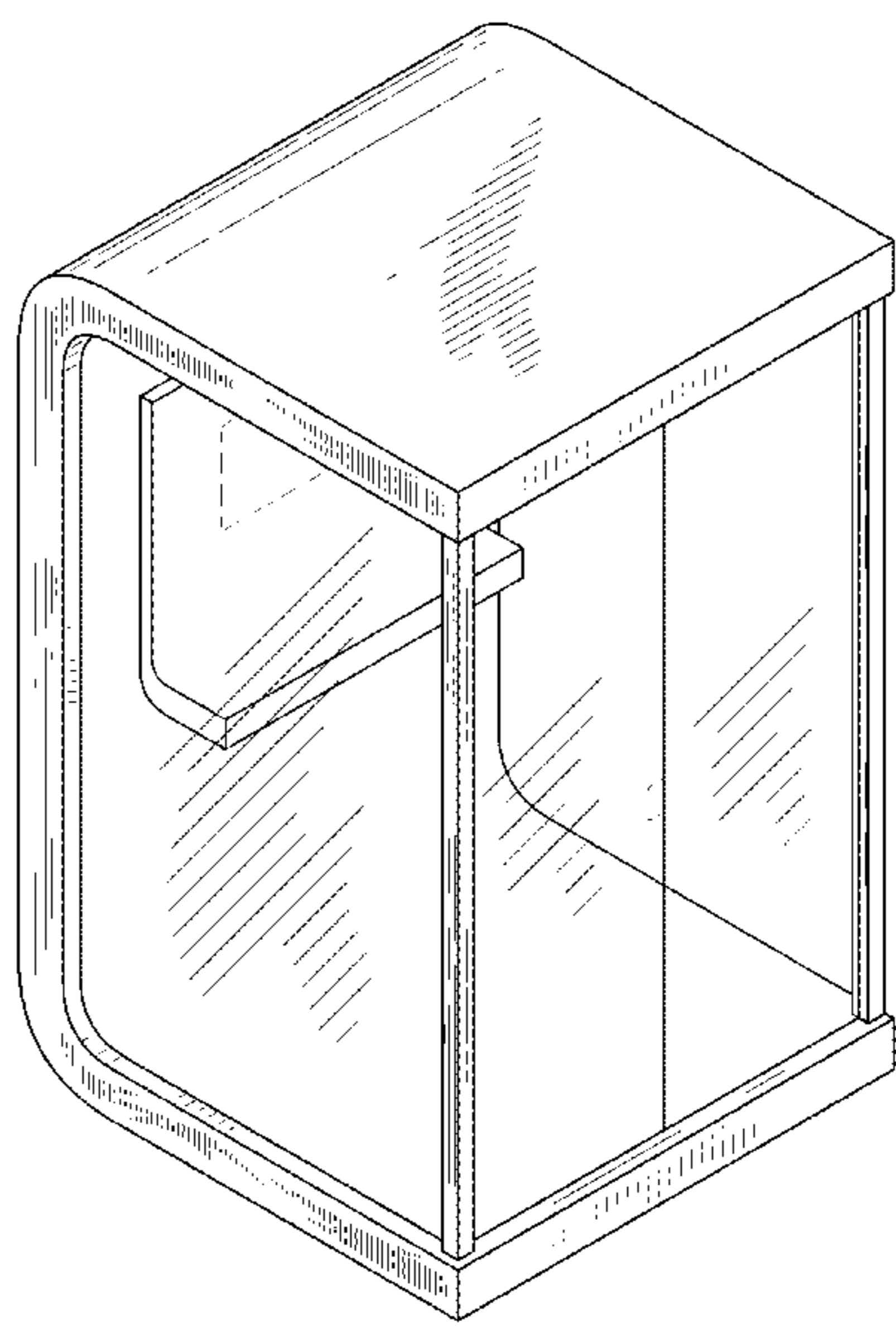
This application is related to two co-filed applications for design patent, both entitled "Multimedia Booth," having U.S. Design patent application Ser. Nos. 29/468,681 and 29/468,690, invented by the same inventors and filed on even date herewith.  
FIG. 1 is a perspective view of a multimedia booth showing my new design;  
FIG. 2 is a perspective view thereof;  
FIG. 3 is a right side view thereof;  
FIG. 4 is a left side view thereof;  
FIG. 5 is a front view thereof;  
FIG. 6 is a back view thereof;  
FIG. 7 is a top view thereof; and,  
FIG. 8 is a bottom view thereof.  
The broken lines illustrate portions of the multimedia booth that do not form a part of the claimed design.

**1 Claim, 8 Drawing Sheets**

(56) **References Cited**

U.S. PATENT DOCUMENTS

3,871,146	A *	3/1975	Hamy	.....	52/79.7
3,905,167	A *	9/1975	Watkins et al.	.....	52/79.4
D245,706	S *	9/1977	McAllister	.....	D25/16
D248,776	S *	8/1978	Kinnebrew, IV	.....	D25/18
D285,005	S *	8/1986	Italiane	.....	D25/16
D286,098	S *	10/1986	Prinzhorn	.....	D99/28
D324,873	S *	3/1992	Thayer	.....	D16/215
D371,206	S *	6/1996	Priestley et al.	.....	D25/16
5,533,305	A *	7/1996	Bielecki	.....	52/79.1
D487,807	S *	3/2004	Graham	.....	D25/33
7,377,425	B1 *	5/2008	Ma et al.	.....	235/379
7,413,118	B2 *	8/2008	Kim	.....	235/379



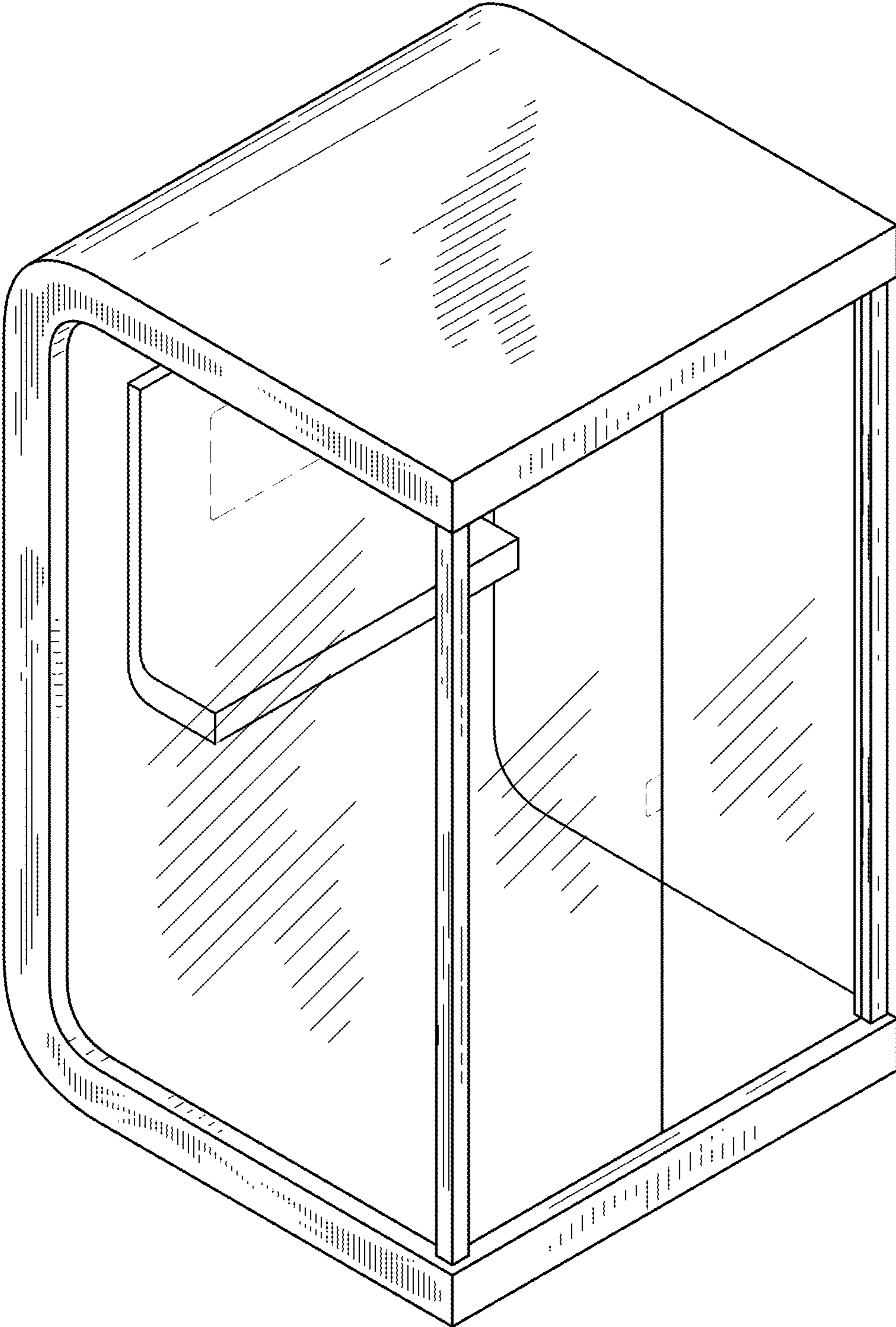


FIG. 1

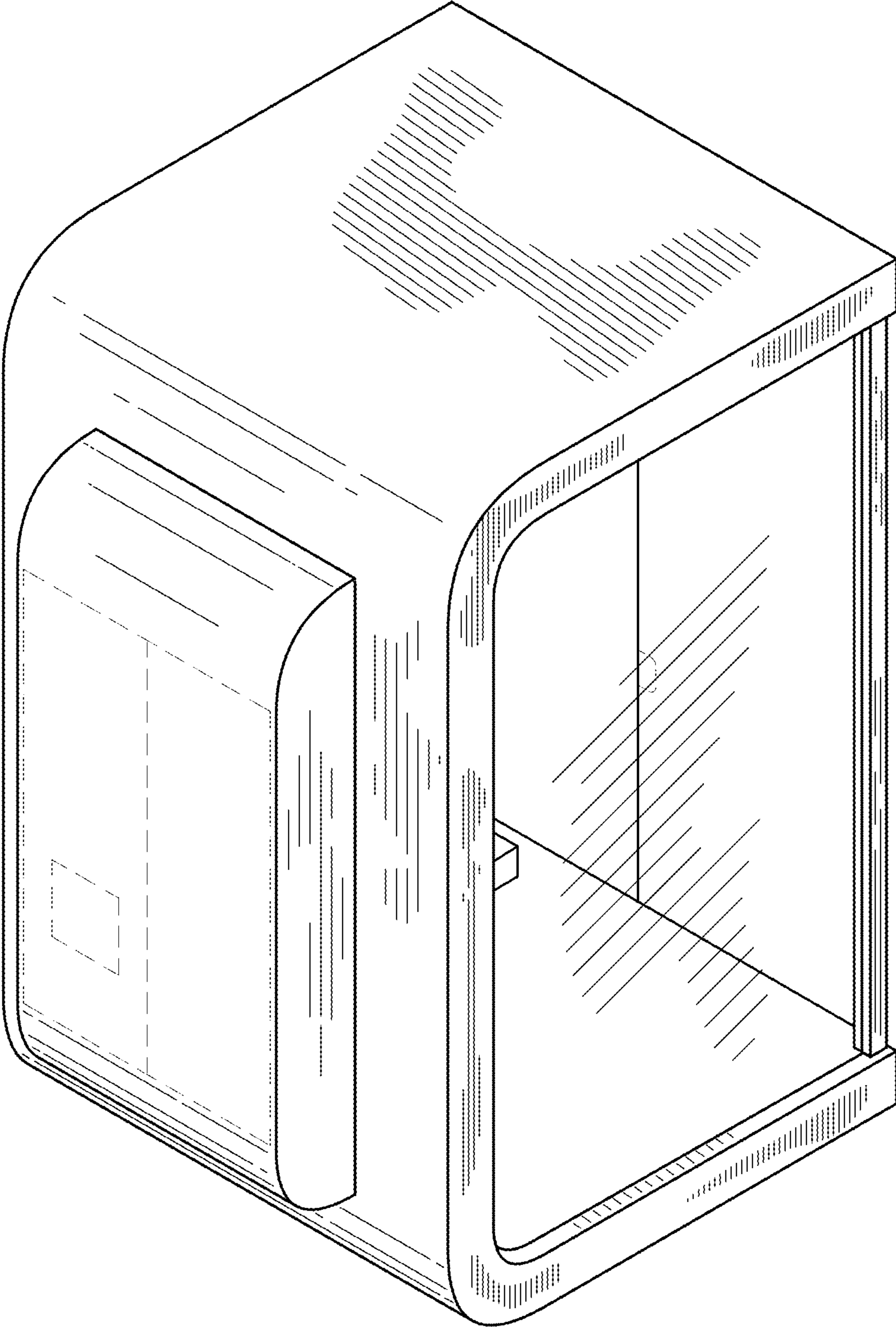


FIG. 2

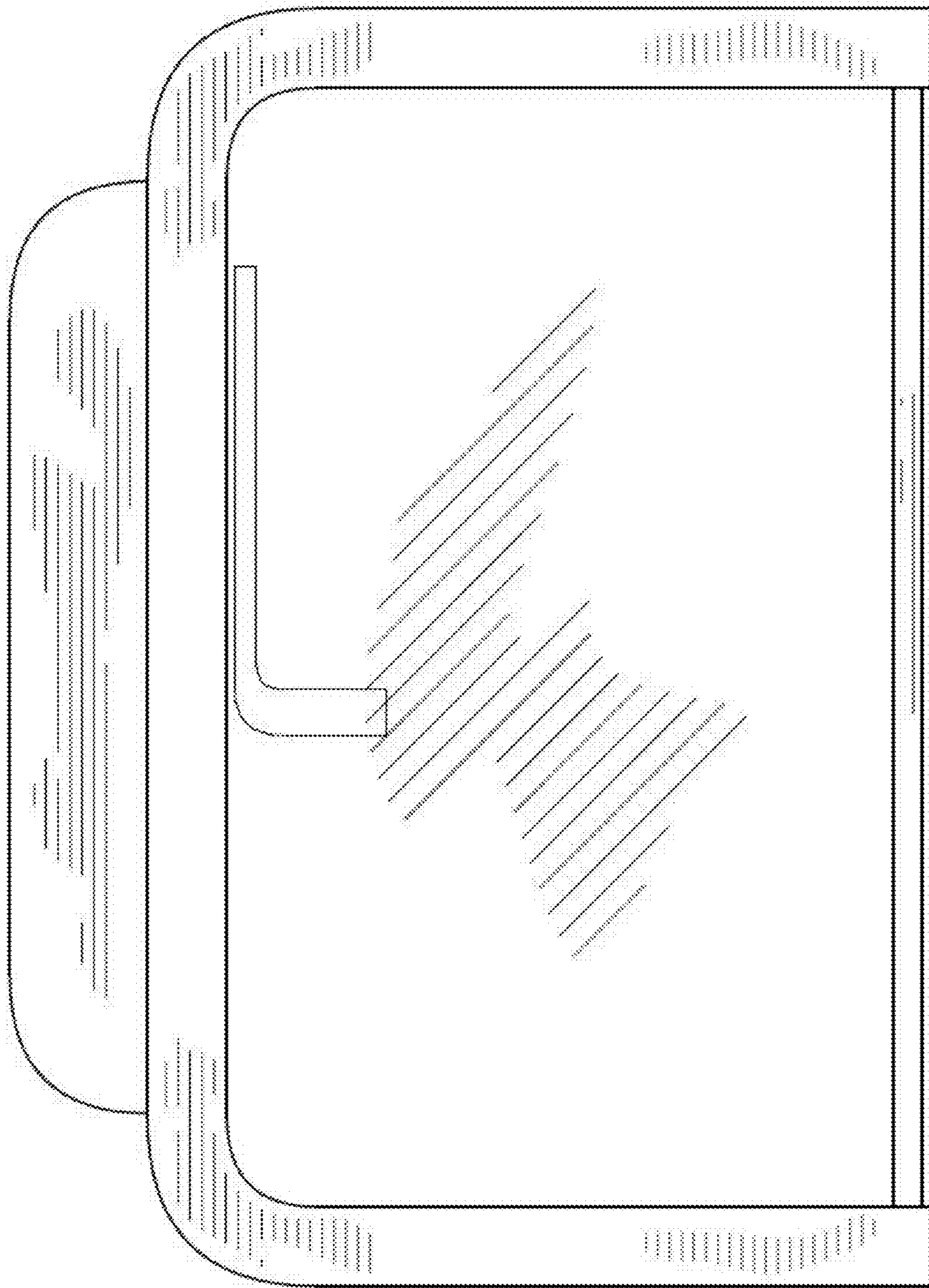


FIG. 3

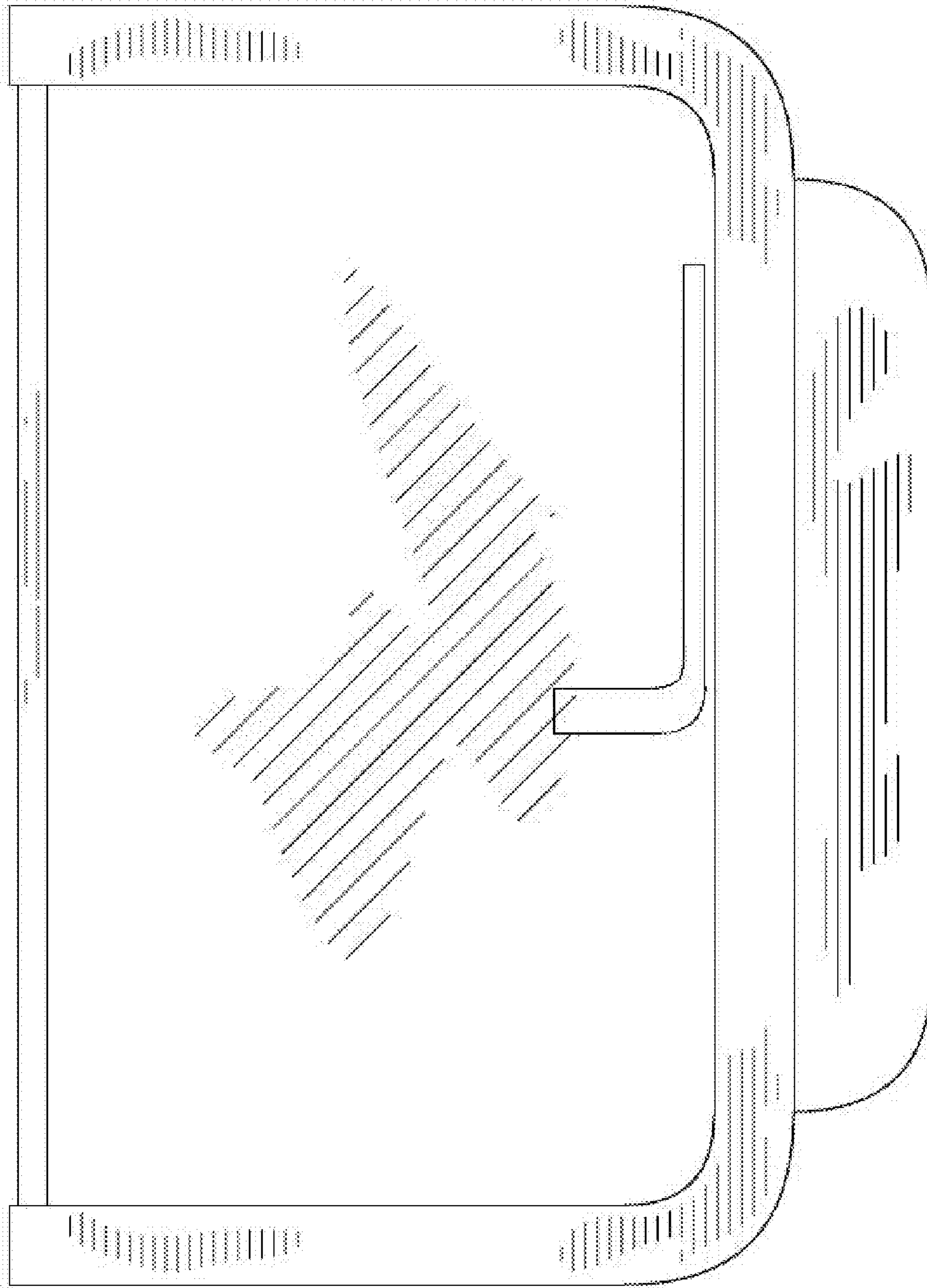


FIG. 4

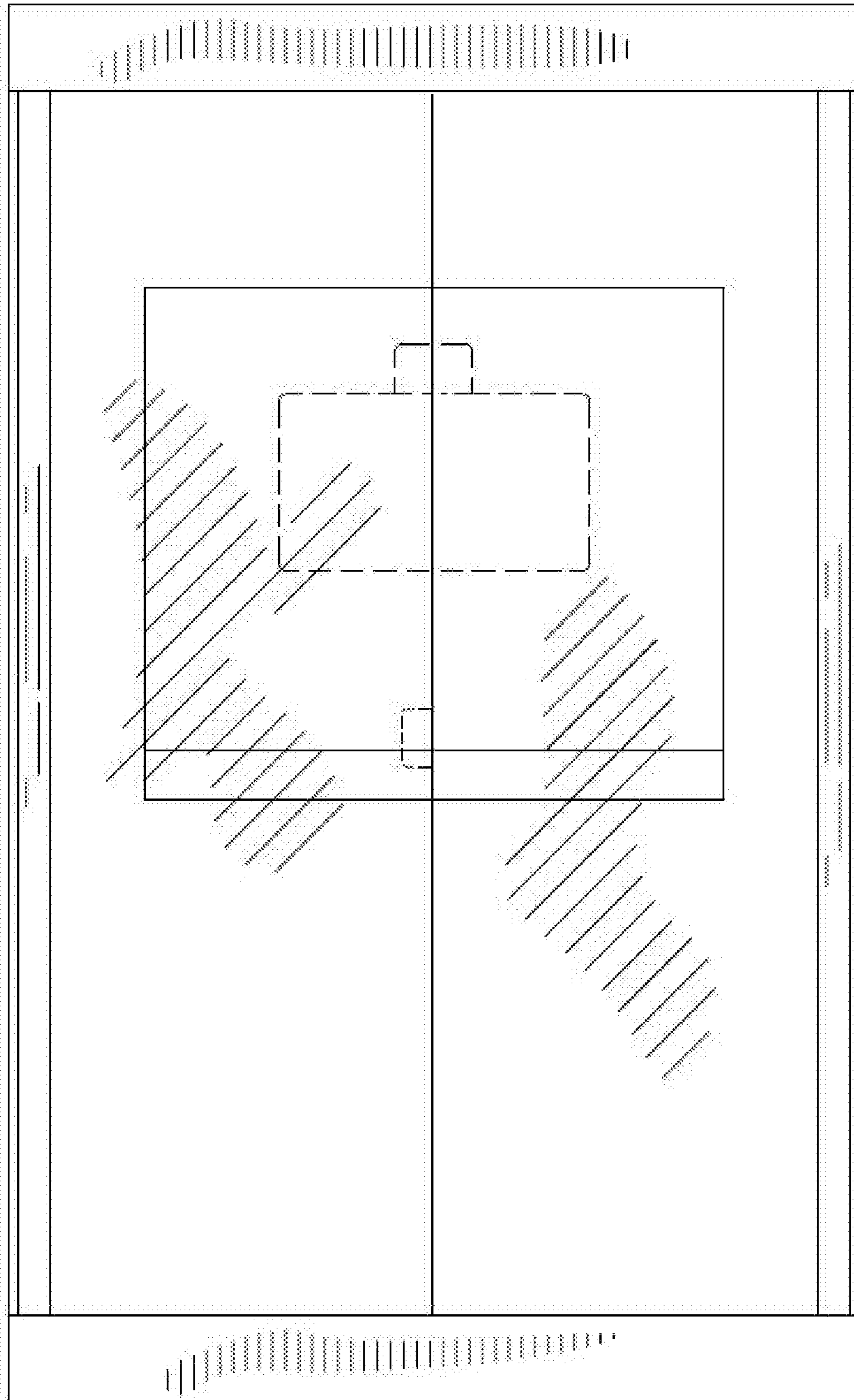


FIG. 5

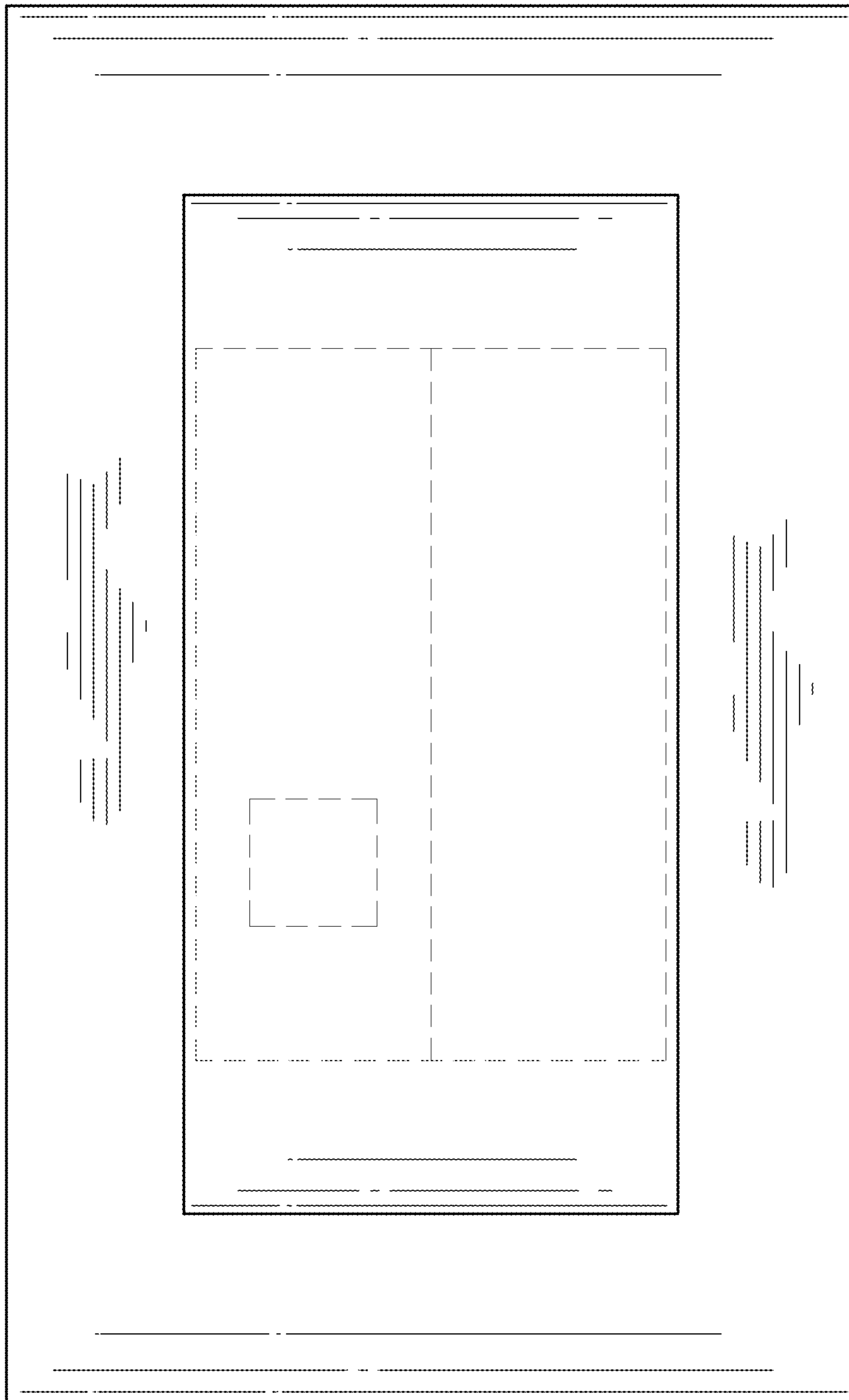


FIG. 6

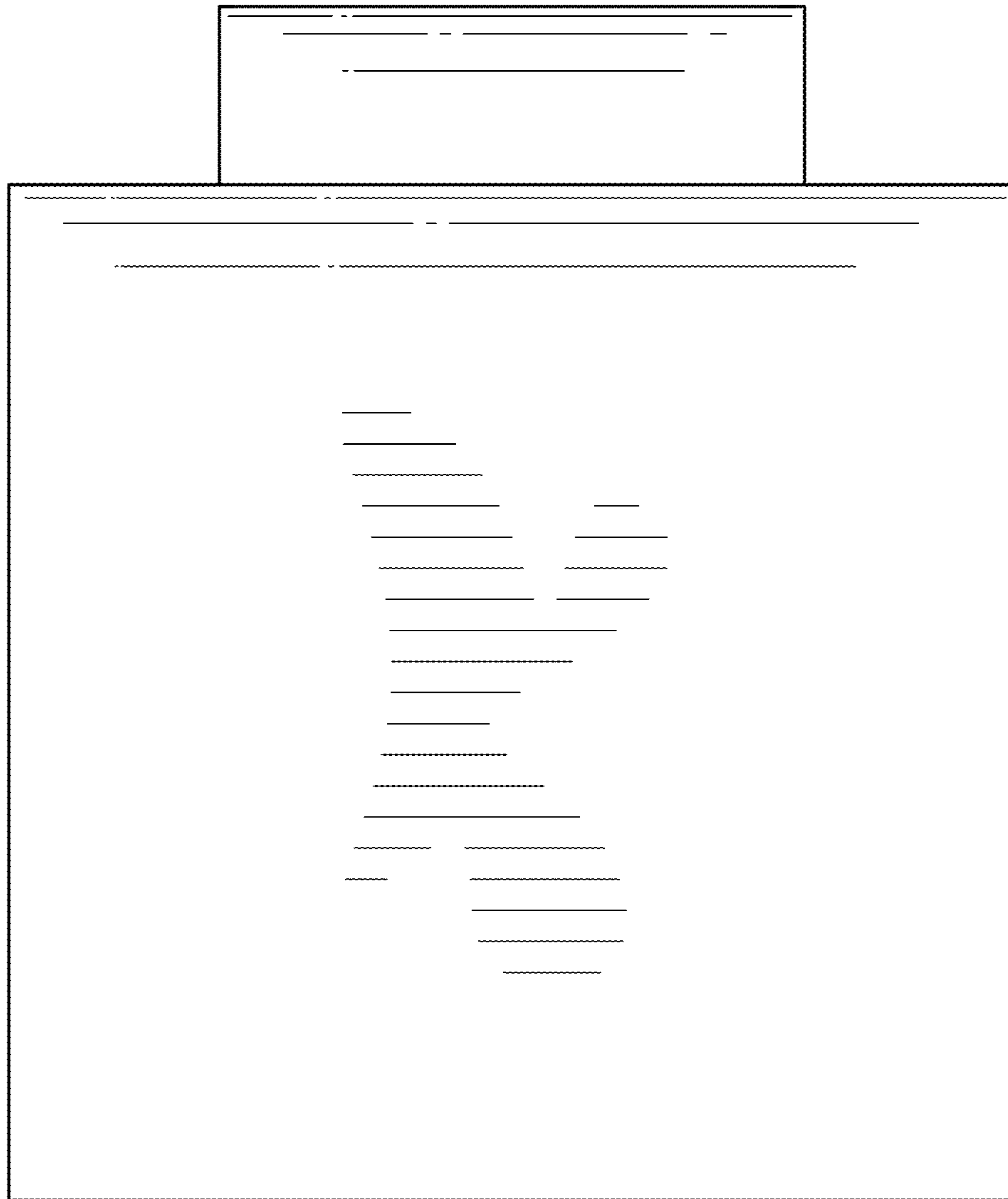


FIG. 7



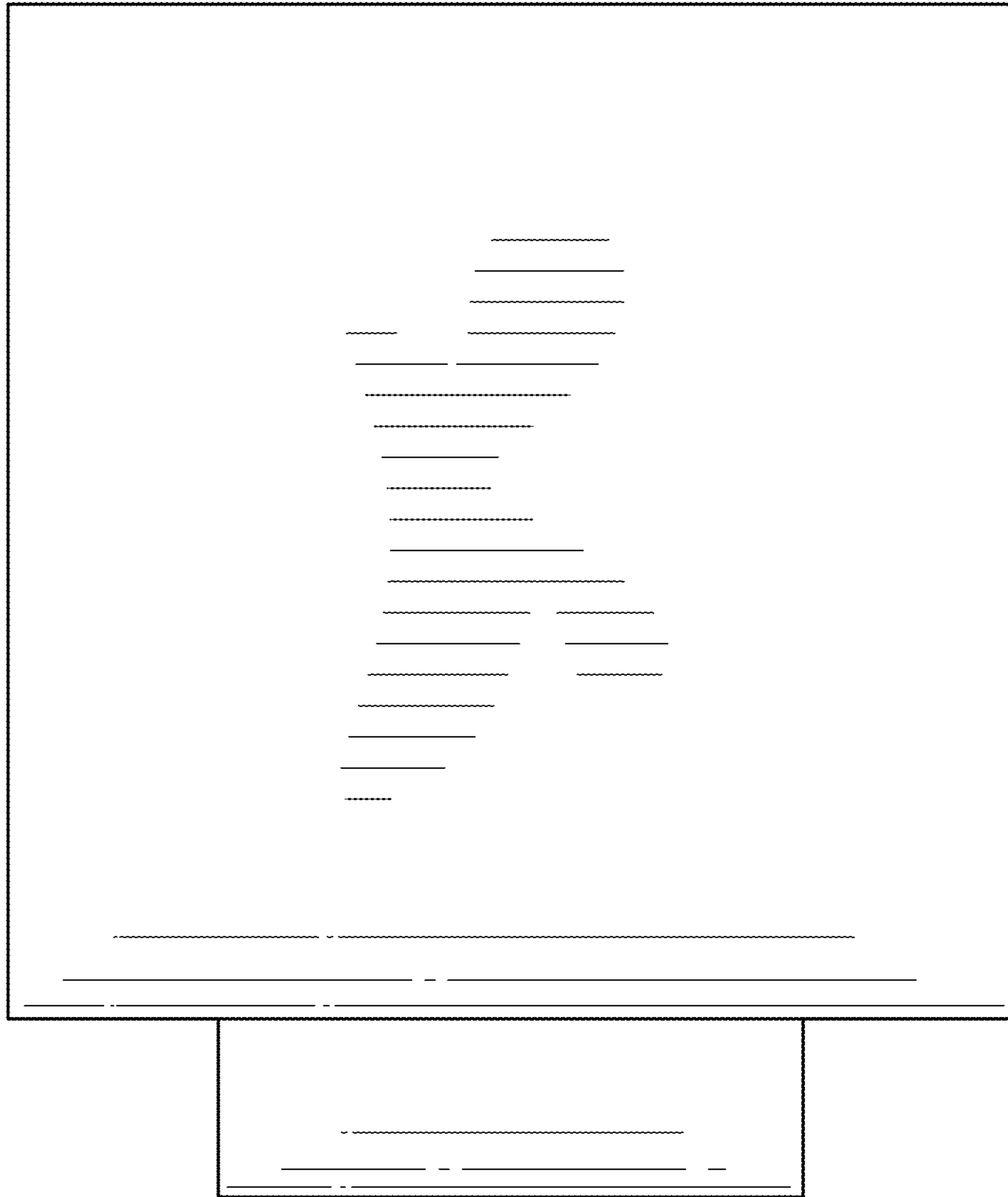


FIG. 8